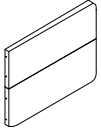


ASSEMBLY INSTRUCTION

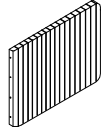
FULL HEADBOARD
QUEEN HEADBOARD
KING HEADBOARD

A Headboard



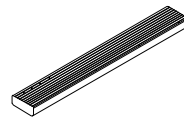
1 pc

B H/B Piece Cloth



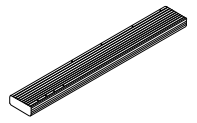
1 pc

C H/B Poster Left



1 pc

D H/B Poster Right



1 pc

E Allen Bolt
Ø5/16" x 75mm



2 pcs

F Allen Bolt
Ø5/16" x 63mm



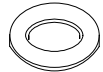
8 pcs

G Spring Washer
Ø5/16"



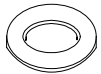
10 pcs

H Flat Washer
Ø5/16" x 19 mm



8 pcs

I Flat Washer
Ø5/16" x 22 mm

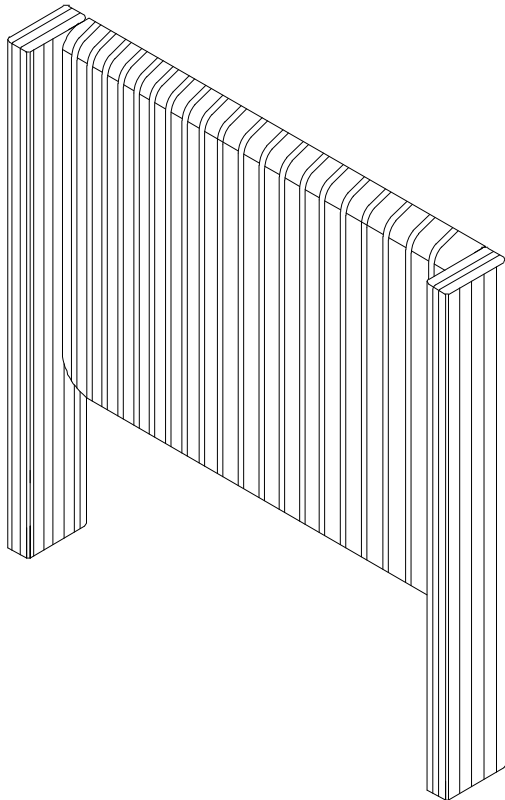


2 pcs

J Allen Key
4mm



1 pc



This page lists all the contents included in the box. Please take the time to identify the hardware as well as the individual components to this product. As you unpack and prepare for assembly, place the contents on a carpeted or padded area to protect them from damage.

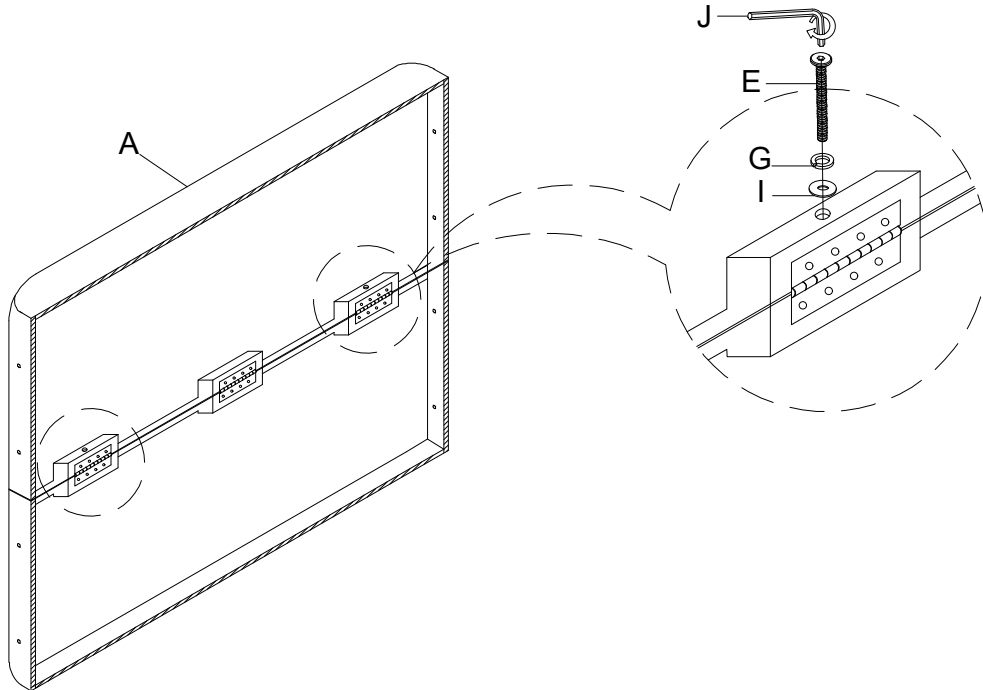
IMPORTANT NOTE:

1. Do not tighten all screws / bolts until all completely assembled.
2. Keep all hardware parts out of reach of children.

***** Do not tighten screws & bolts until the entire unit is completely assembled.**

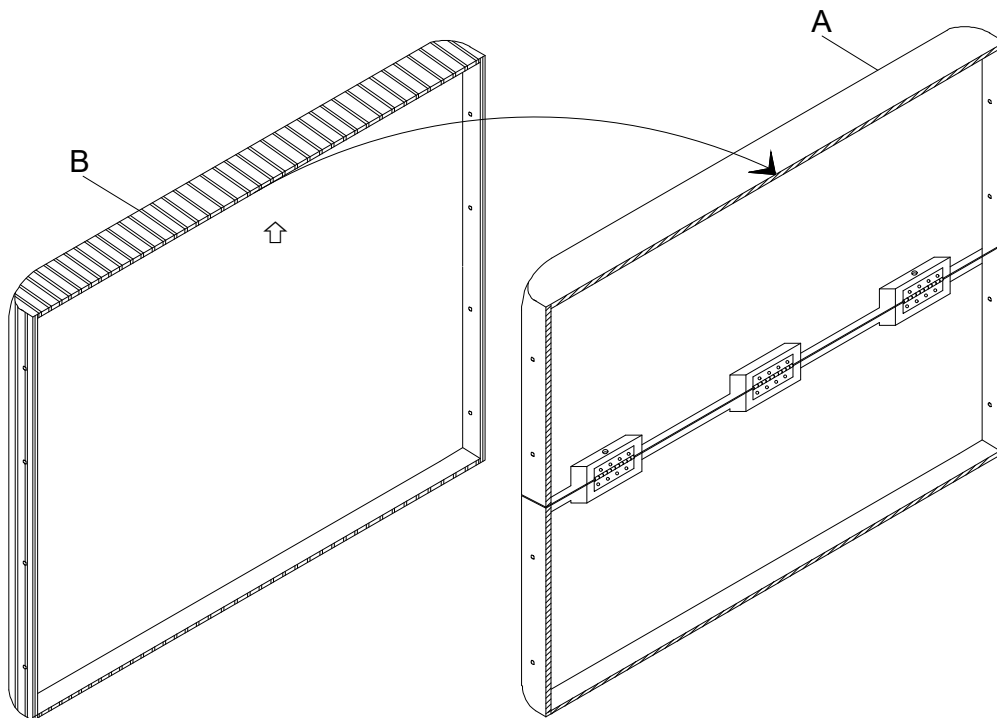
1

Connect the Headboard (A) by using Allen Bolt (E), Spring Washer (G) and Flat Washer (I), tightening with Allen Key (J).



2

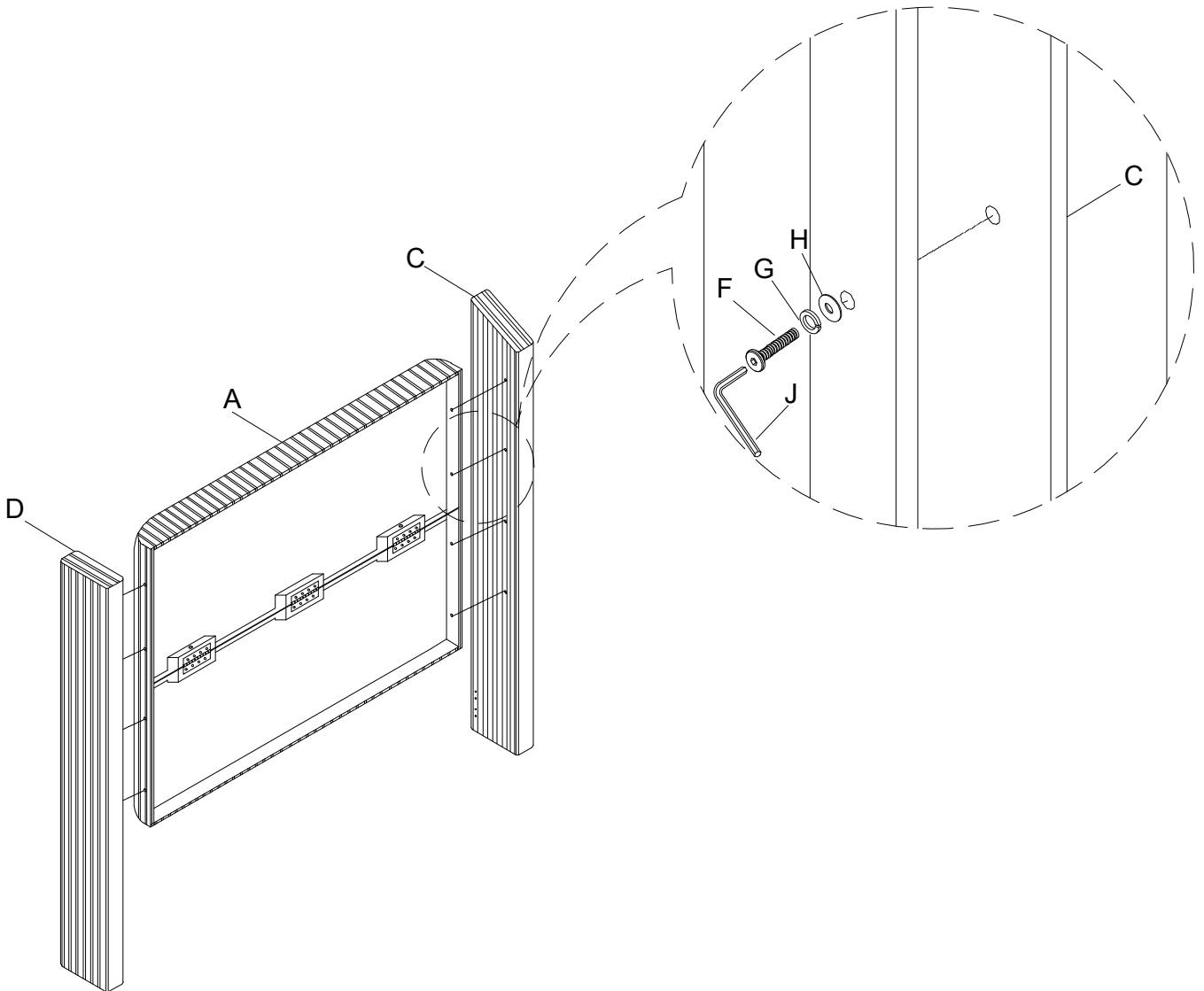
Cover H/B Piece Cloth (B) to Headboard (A).
Remark: The arrow label on top of Headboard.



***** Do not tighten screws & bolts until the entire unit is completely assembled.**

3

Attach H/B Poster Left & Right (C), (D) to Headboard (A) by using Allen Bolt (F), Spring Washer (G) and Flat Washer (H), tightening with Allen Key (J).


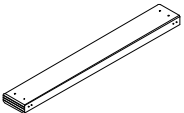
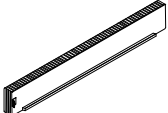
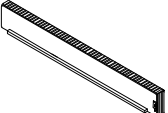
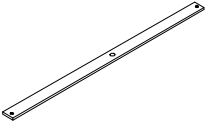








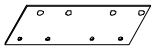


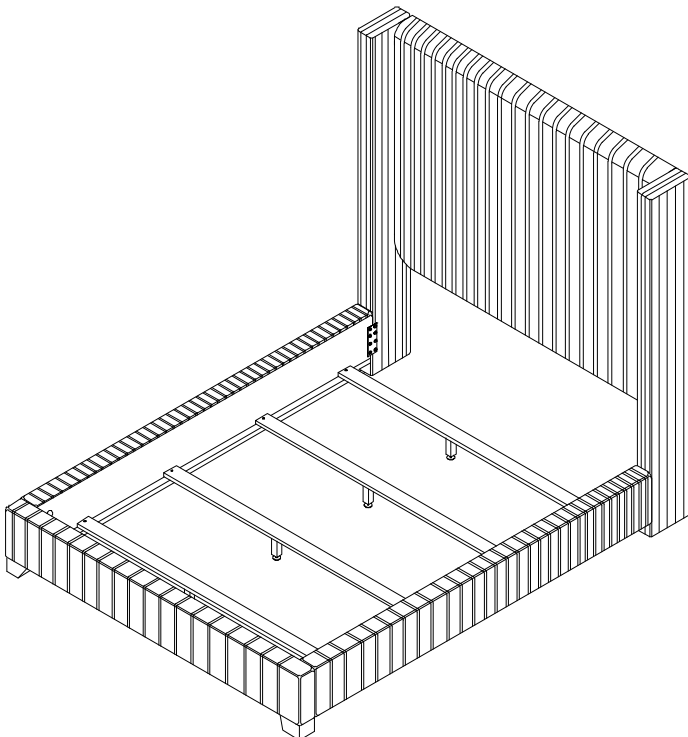
Cleaning & Care

Treat surface with care. Surface is resistant to scratches but is not scratch resistant. Clean surfaces with a dry or damp soft cloth. Do not use abrasive cleaners. Hardware may loosen over time. Periodically check that all connections are tight.

ASSEMBLY INSTRUCTION

FULL FOOTBOARD & SIDE RAIL & SLATS & SUPPORT LEGS QUEEN FOOTBOARD & SIDE RAIL & SLATS & SUPPORT LEGS

A Headboard (In Other Carton)  1 pc	B Footboard  1 pc	C Side Rail Left  1 pc	D Side Rail Right  1 pc
E Slat  4 pcs	F Support Leg  4 pcs	G FB Leg  2 pcs	H Allen Bolt Ø5/16" x 55mm  4 pcs
I Allen Bolt Ø5/16" x 45mm  16 pcs	J Spring Washer Ø5/16"  20 pcs	K Flat Washer Ø5/16" x 19 mm  20 pcs	L Screw Ø8 x 30mm  8 pcs
M Allen Key 4mm  1 pc	N Rectangle Plate 220 x 80 x 3mm  2 pcs		



This page lists all the contents included in the box. Please take the time to identify the hardware as well as the individual components to this product. As you unpack and prepare for assembly, place the contents on a carpeted or padded area to protect them from damage.

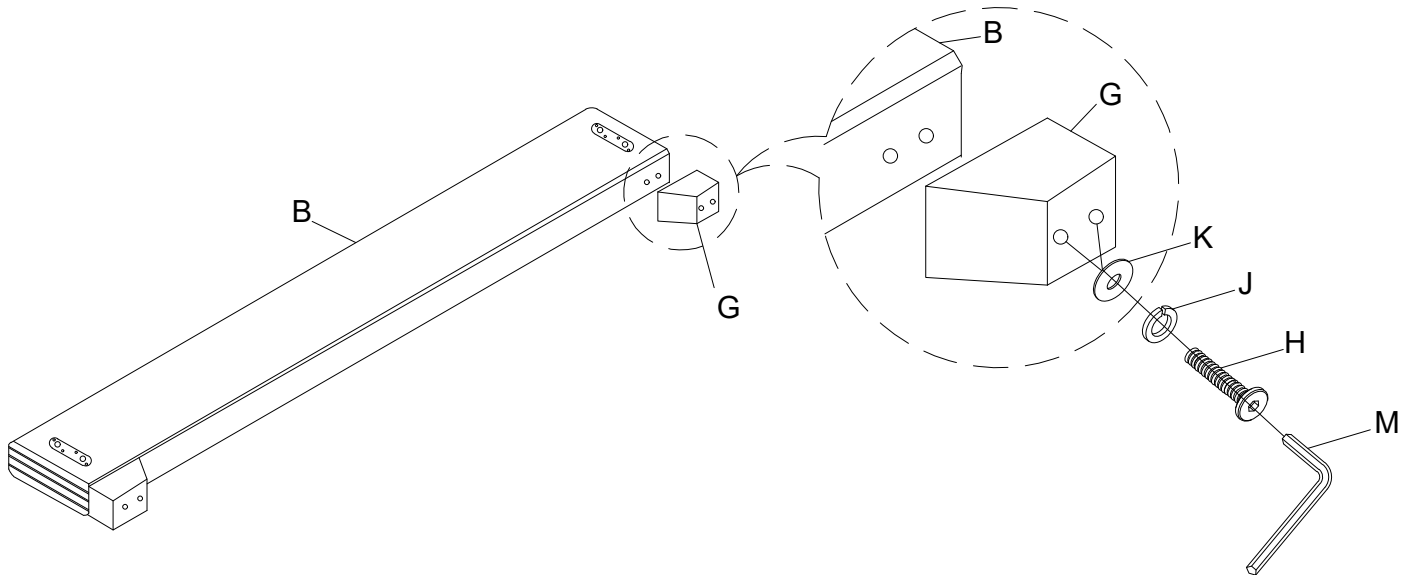
IMPORTANT NOTE:

1. Do not tighten all screws / bolts until all completely assembled.
2. Keep all hardware parts out of reach of children.

***** Do not tighten screws & bolts until the entire unit is completely assembled.**

1

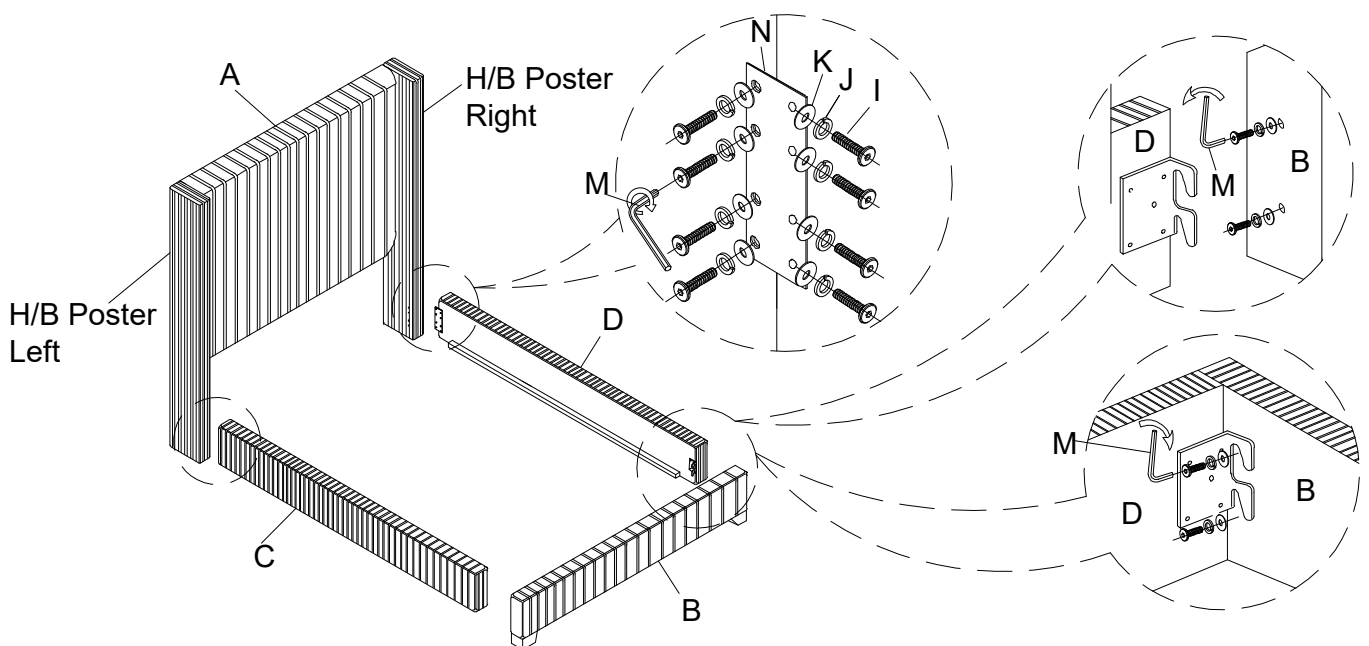
Attach FB Leg (G) to Footboard (B) by using Allen Bolt (H), Spring Washer (J), Flat Washer (K) and Allen Key (M).



2

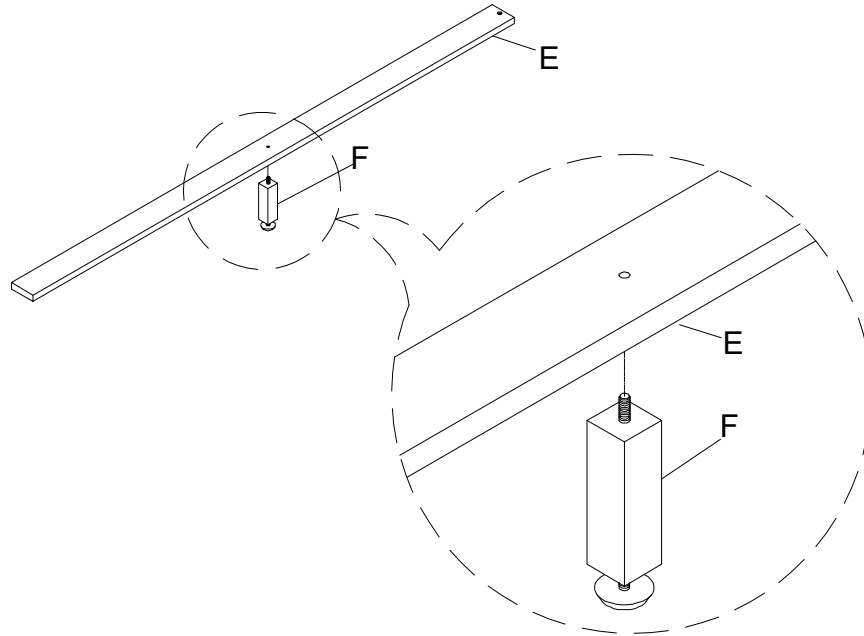
Attach Rectangle Plate (N) to Side Rail Left & Right (C), (D) and H/B Poster Left & Right of Headboard (A) by using Allen Bolt (I), Spring Washer (J) and Flat Washer (K) with Allen Key (M). Unfasten bolts on Footboard (B), then attach Side Rail Left & Right (C), (D) to Footboard (B) and tighten all bolts with Allen Key (M).

Remark: Do not tighten the bolts until screw Slat (E) well on the Side Rail Left& Right (C), (D).

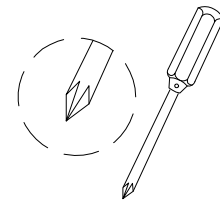
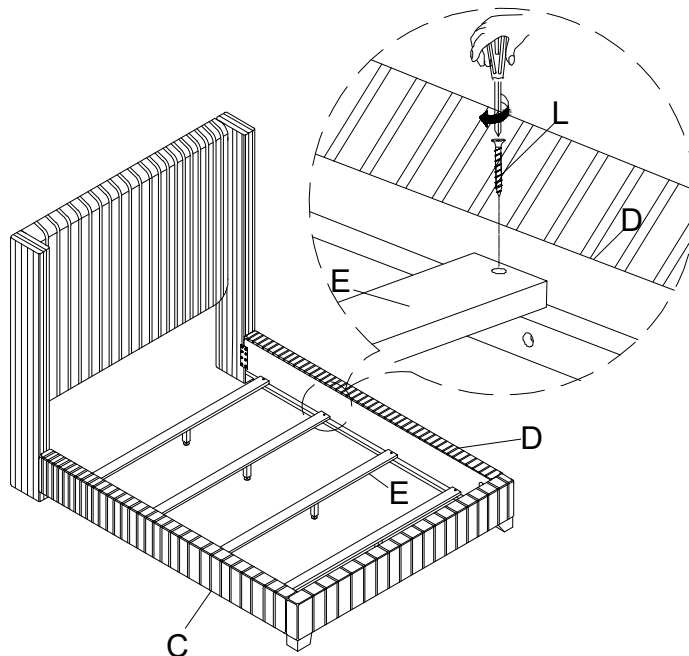


***** Do not tighten screws & bolts until the entire unit is completely assembled.**

3 Attach Support Leg (F) to Slat (E).



4 Attach Slat (E) to Side Rail Left & Right (C), (D) by using Screw (L) and Screw Driver (not included).



Phillips head screwdriver (not included) is required for assembly. Use the Phillips head screwdriver to tighten the screws.

Cleaning & Care

Treat surface with care. Surface is resistant to scratches but is not scratch resistant. Clean surfaces with a dry or damp soft cloth. Do not use abrasive cleaners. Hardware may loosen over time. Periodically check that all connections are tight.