

# 6.5-Gallon EZ Stor® Container with Hinged Cover

## Multiple Uses

Dry Products

## Product Codes

Container: **E659**

Description: 6.5-gallon rectangular can

Cover: **E6DH**

Description: Dry seal, tamper-evident, hinged EZ open & close cover with Ring Pull®

## Features

Built-in hand grips  
 Gauge: 90 mil.  
 Nominal capacity: 6.5 USG / 24.6 L  
 Stack performance: 300 lbs.\*  
 Tare weights: Body: 2.27 lbs. / 1.03 kgs.  
 Cover: .50 lbs. / .23 kgs.

Note: \*Ratings will be reduced with uneven load distribution.

## Specifications with Cover

Dimensions: 13-3/8"L X 12"W X 13-13/16"H  
 Maximum capacity: 6.74 USG / 25.5 L  
 Tare weight: 2.77 lbs. / 1.26 kgs.

## Colors

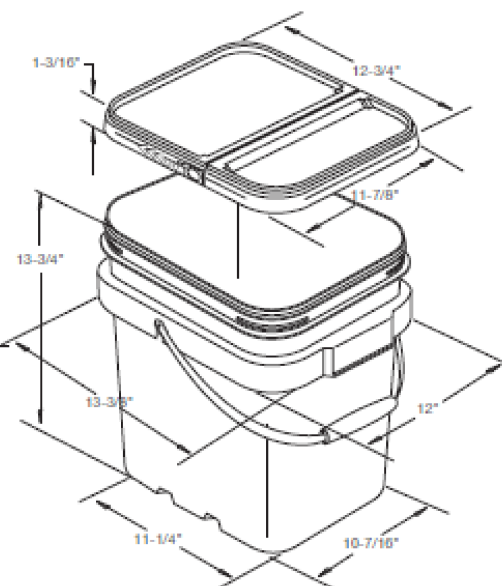
Standard: White, Black and Natural  
 Custom: Available at manufacturer's discretion

## Decorating Options\*

Four or six color offset printing\*\*  
 Sleeve or pressure sensitive labeling  
 NXT Graphics®

Note: \*See EZ Stor Decoration Summary for further details.

\*\*Where available.



## Shipping Data

	<b>Bodies</b>	<b>Covers</b>	<b>Filled Containers</b>
Qty. per pallet/carton:	120	600	36 (12 per layer/3 layers high)
Gross Weight (lbs./kgs.):	272.4/123.6	300/138	Pallet height: 45.9"
Den. (lbs./C.F./kgs./m3):	5.1/81.8	9.0/146.2	
Length (in./cm.):	48/121.9	48/121.9	
Width (in./cm.):	40/101.6	40/101.6	
Height (in./cm.):	48/121.9	30/76.2	
Estimated truckload quantity of 5,760 bodies and covers**			

Notes: \*Weight does not include pallet / packaging

\*\*Truckload quantity based on 53' trailer

## Materials

FDA approved materials  
 Resin: Body: High-Density Polyethylene (HDPE)  
 Cover: Polypropylene (PP)  
 MSDS Sheets available upon request

## Optional Carrying Handle

### DISCLAIMER

THIS INFORMATION IS PROVIDED AS A GENERAL GUIDE, INCLUDING DIMENSIONS. IT IS THE CUSTOMER'S RESPONSIBILITIES TO SELECT THE PROPER CONTAINER FOR PRODUCT AND APPLICATION COMPATIBILITY.

DISTRIBUTED BY:



REF NO.:

DWG10156

DESCRIPTION:

6.5 gallon HDPE EZ Stor Pail