



**MANUFACTURED BY:**  
**Backyard Discovery**  
3305 Airport Drive, Pittsburg, KS 66762  
800-856-4445

Basepoint Business Centre: Rivermead Drive, Westlea, Swindon SN5 7EX Phone: 0800-118-2476  
J.P. Coenstraat 7, The Bridge, The Hague, 2595 WP, Netherlands Phone: 0800-567-8990

# ENDEAVOR

## Swing Set

### Model # 2200104



#### WARNING

**Adult Assembly Required.**

Not suitable for children under 36 months due to small parts.

**FOR DOMESTIC USE ONLY. INTENDED FOR OUTDOOR USE.**



**Please visit [www.backyarddiscovery.com](http://www.backyarddiscovery.com)**

For the most up to date assembly manual, to register your set, or to order replacement parts

*Para obtener instrucciones en español, visite [www.backyarddiscovery.com](http://www.backyarddiscovery.com)*



**EASY STEP-BY-STEP**  
**3D INTERACTIVE INSTRUCTIONS**

DOWNLOAD THE FREE APP



**INSTALLATION**  
**SERVICES**  
**AVAILABLE!**

*See inside for details*

Made in China  
INS-2200104-A-ENDEAVOR-ENG 11/29/21

# Owner's Manual - Basic Setup Dimensions & Assembly Notes

Place the set on level ground, not less than 6'-7" [2 m] from any structure or obstruction such as a fence, garage, house, overhanging branches, laundry lines, or electrical wires.

- While assembling unit, take time before and after each phase to make sure fort is level. If fort is not level, assembly will be difficult and improper assembly may result. Extra care must be taken to insure the fort is square.
- The safe play area refers to a zone extending 6'-7" (2 m) beyond the play product on all sides, including the space above the play product.

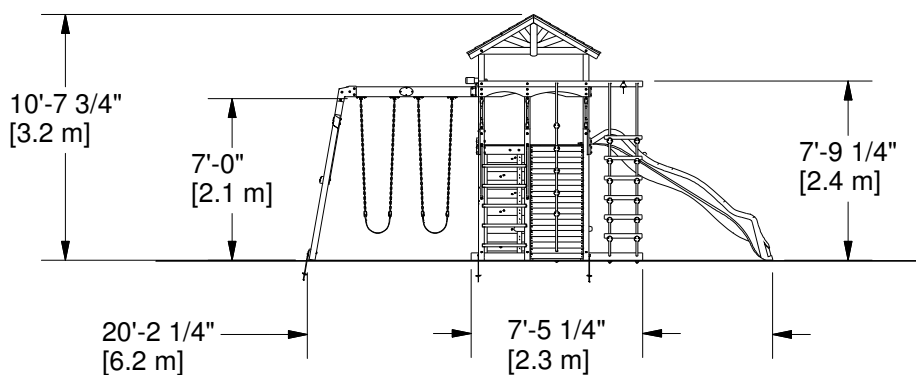
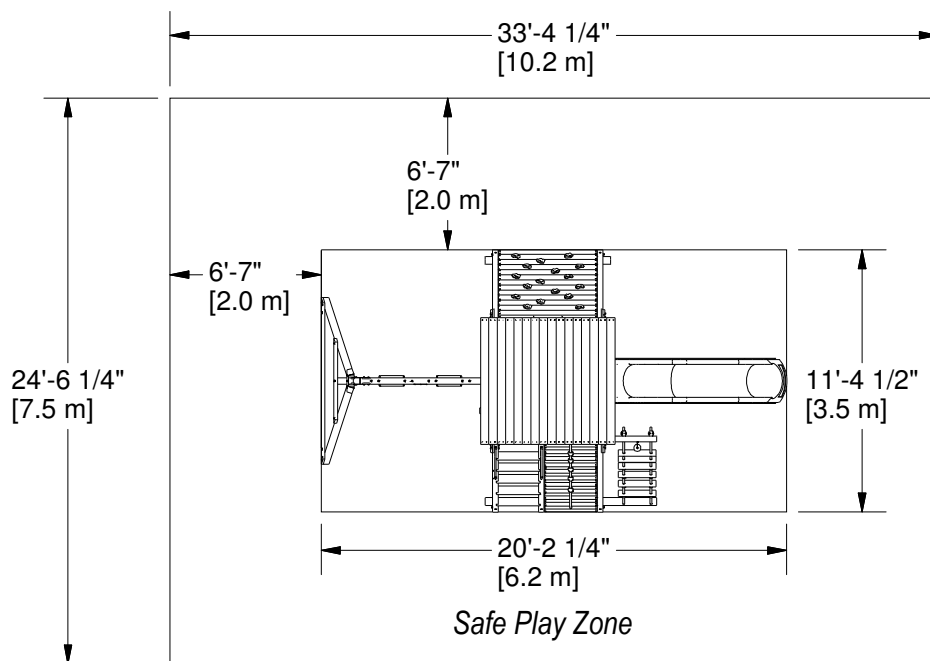
## SAFE PLAY AREA DIAGRAM

### Ground Dimensions

11'-4 1/2" [3.5 m] x 20'-2 1/4" [6.2 m]

### Safe Play Area

33'-4 1/4" [10.2 m] x 24'-6 1/4" [7.5 m] x 17'-2 3/4" [5.2 m]



SAFE PLAY HEIGHT: 17'-2 3/4" [5.2 m]  
MAXIMUM FALL HEIGHT: 7' [2.1 m]

### General Information:

Your set has been designed and engineered for children only and for residential use only.  
A maximum of 150 lbs. per child is recommended for play activities designed for individual use.  
A maximum of 120 lbs. per child is recommended for play activities designed for multiple child use.  
A maximum of 9 children is recommended for this swing set.

# Owner's Manual - Parts Identification

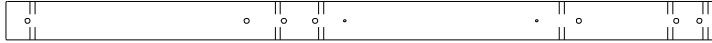
## Wood Components (Not to Scale)



**A50** | SWING BEAM 2 POSITION - W4L15991  
(x1) | 3 3/8"x5 1/4"x68 1/2" (86x134x1740)



**AL01** | STEP - W4L15737  
(x5) | 1 3/8"x4 3/8"x22 3/4" (36x112x579)



**B01** | UPRIGHT - W4L15718  
(x2) | 3"x3"x55 1/2" (76x76x1410)



**B02** | LEG - W4L15719  
(x2) | 3"x3"x77 3/4" (76x76x1975)



**B03** | LEG - W2A03278  
(x1) | 3"x3"x79 5/16" (76x76x2015)



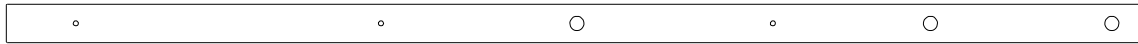
**B04** | UPRIGHT - W4L15722  
(x1) | 3"x3"x38" (76x76x964)



**B05** | FLOOR JOIST - W4L15723  
(x1) | 3"x3"x57 1/4" (76x76x1453)



**B06** | UPRIGHT - W4L15728  
(x2) | 3"x3"x55 1/2" (76x76x1410)



**B07** | GROUND BOARD - W4L15733  
(x1) | 3"x3"x89 3/8" (76x76x2270)



**B08** | LEG - W4L15739  
(x1) | 3"x3"x77 3/4" (76x76x1975)



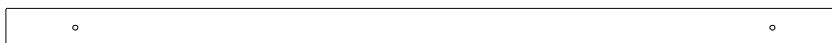
**B09** | ROPE BOARD - W4L15740  
(x1) | 3"x3"x85 3/8" (76x76x2170)



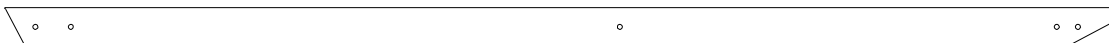
**B10** | FLOOR JOIST - W4L15741  
(x1) | 3"x3"x57 1/4" (76x76x1453)



**B11** | LEG - W4L15747  
(x1) | 3"x3"x77 3/4" (76x76x1975)



**B12** | GROUND BOARD - W4L15976  
(x1) | 3"x3"x65 3/8" (76x76x1660)



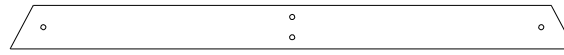
**B50** | ANGLE BRACE - W4L15993  
(x2) | 3"x3"x87 1/8" (76x76x2212)

# Owner's Manual - Parts Identification

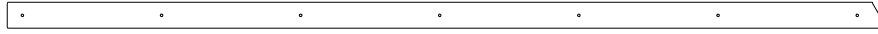
## Wood Components (Not to Scale)



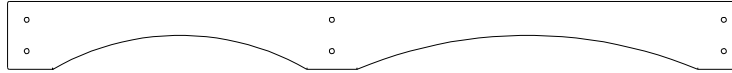
**D01 | WALL RAIL - W4L15729**  
(x1) | 1 3/8"x5 1/4"x59 1/8" (36x134x1501)



**E50 | END SUPPORT - W4L15994**  
(x1) | 1 3/8"x3 3/8"x44 1/8" (36x86x1120)



**F01 | CLEAT - W4L15746**  
(x4) | 1 3/8"x2"x68 3/4" (36x52x1747)



**G01 | WALL RAIL - W4L15725**  
(x1) | 1"x5 1/4"x57 1/2" (24x134x1460)



**G02 | WALL RAIL - W4L15726**  
(x1) | 1"x5 1/4"x59 1/8" (24x134x1501)



**G03 | WALL RAIL - W4L15727**  
(x1) | 1"x5 1/4"x57 1/2" (24x134x1460)



**G04 | ROCK WALL BOARD - W4L15749**  
(x2) | 1"x4 1/2"x51 1/2" (24x115x1307)



**G05 | ROCK WALL BOARD - W4L15974**  
(x5) | 1"x5 1/4"x51 1/2" (24x134x1307)



**G06 | ROCK WALL BOARD - W4L15975**  
(x6) | 1"x5 1/4"x51 1/2" (24x134x1307)



**G50 | GROUND BOARD - W4L15995**  
(x1) | 1"x5 1/4"x86 3/4" (24x134x2202)



**H01 | FLOOR RAIL - W4L15734**  
(x1) | 1"x3 3/8"x68 1/2" (24x86x1741)



**H02 | FLOOR RAIL - W4L15735**  
(x2) | 1"x3 3/8"x22 1/8" (24x86x564)



**H03 | FLOOR RAIL - W4L15736**  
(x6) | 1"x3"x3 3/8" (24x76x86)

# Owner's Manual - Parts Identification

## Wood Components (Not to Scale)



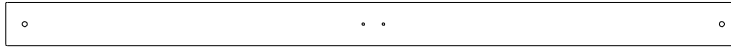
**H04** | ROPE WALL BOARD - W4L15744  
(x9) | 1"x3 3/8"x27 5/8" (24x86x701)



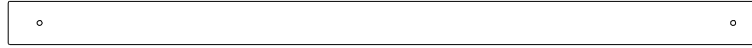
**H05** | WALL RAIL - W4L15980  
(x2) | 1"x3 3/8"x29 7/8" (24x86x760)



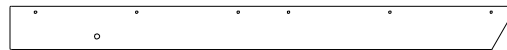
**H06** | ROPE LADDER RUNG - W4L15982  
(x6) | 1"x3 3/8"x19 5/8" (24x86x500)



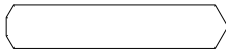
**H07** | WALL RAIL - W4L15983  
(x2) | 1"x3 3/8"x57 1/2" (24x86x1460)



**H08** | WALL RAIL - W4L15984  
(x2) | 1"x3 3/8"x59 1/8" (24x86x1501)



**H09** | ROOF RAIL - W4L15985  
(x4) | 1"x3 3/8"x39 5/8" (24x86x1007)



**H10** | GABLE BOARD - W4L15986  
(x2) | 1"x3 3/8"x17 3/8" (24x86x440)



**H11** | GABLE CLEAT - W4L15987  
(x2) | 1"x3"x3 3/8" (24x76x86)



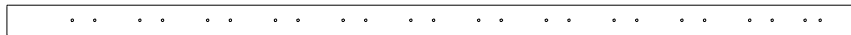
**H12** | GABLE BOARD - W4L15988  
(x4) | 1"x3 3/8"x18 1/4" (24x86x465)



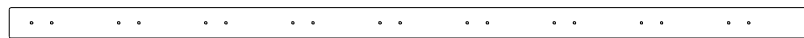
**H13** | GABLE BOARD - W4L15989  
(x4) | 1"x3 3/8"x11 3/4" (24x86x300)



**H14** | ROPE WALL BOARD - W4L16119  
(x1) | 1"x2 3/4"x27 5/8" (24x69x701)



**J01** | ROCK WALL CLEAT - W4L15977  
(x2) | 1"x2 3/8"x66 7/8" (24x60x1698)



**J02** | ROPE WALL CLEAT - W4L16469  
(x1) | 1"x2 3/8"x63" (24x60x1600)



**K04** | FLOOR BOARD - W4L15978  
(x1) | 5/8"x4 3/4"x51 1/2" (16x120x1307)



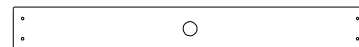
**K05** | FLOOR BOARD - W4L15979  
(x1) | 5/8"x4 3/4"x27 5/8" (16x120x701)



**M01** | FLOOR BOARD - W4L15743  
(x15) | 5/8"x3 3/8"x59 1/2" (16x86x1511)



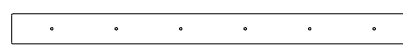
**M02** | ROPE WALL BOARD - W4L15742  
(x9) | 5/8"x3 3/8"x27 5/8" (16x86x701)



**M03** | ROPE WALL BOARD - W4L15981  
(x1) | 5/8"x3 3/8"x27 5/8" (16x86x701)




**M04** | PICKET - W4L15997  
(x10) | 5/8"x3 3/8"x29 7/8" (16x86x760)



**N01** | ROOF CLEAT - W4L15990  
(x4) | 5/8"x2 3/8"x31 1/2" (16x60x800)

# Owner's Manual - Parts Identification

## Wood Components (Not to Scale)

  
**O70 | SLIDE MOUNTING BOARD - W4L09040**  
 (x1) | 5/8"x1 3/8"x20 3/8" (16x34x517)



**Q01 | FLOOR RAIL - W4L15717**  
 (x2) | 1"x4 3/8"x74 3/8" (24x112x1890)




**Q02 | FLOOR RAIL - W4L15721**  
 (x1) | 1"x4 3/8"x57 1/2" (24x112x1460)




**Q03 | FLOOR RAIL - W4L15724**  
 (x1) | 1"x4 3/8"x57 1/2" (24x112x1460)



**SP01 | SWING BEAM SUPPORT - W4L15992**  
 (x1) | 3 3/8"x3 3/8"x50" (86x86x1269)

  
**T01 | CLEAT - W4L15748**  
 (x3) | 1"x1 3/8"x24 1/4" (24x34x615)

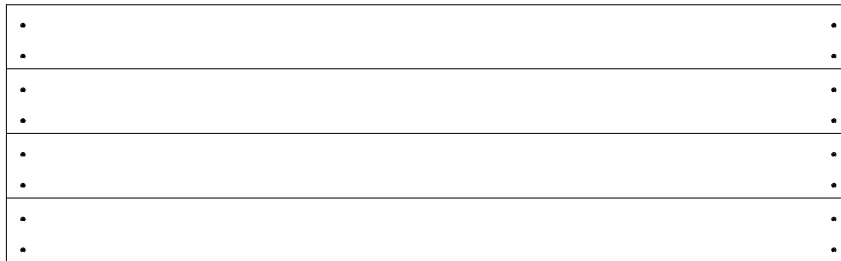
  
**Y01 | FLOOR BOARD - W4L15738**  
 (x1) | 5/8"x4"x20 7/8" (16x102x529)



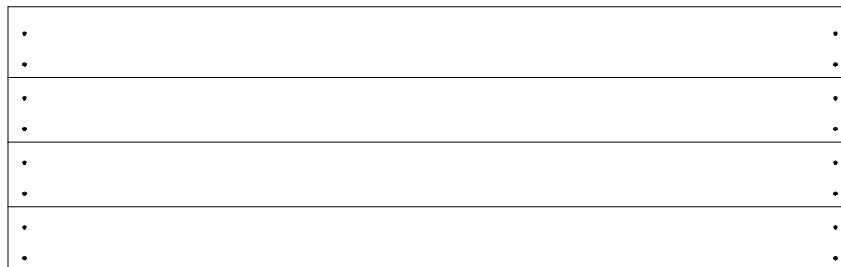
**Y02 | FLOOR BOARD - W4L15745**  
 (x1) | 5/8"x4"x51 1/2" (16x102x1307)



**Y03 | FLOOR BOARD - W4L16468**  
 (x1) | 5/8"x4"x27 5/8" (16x102x701)



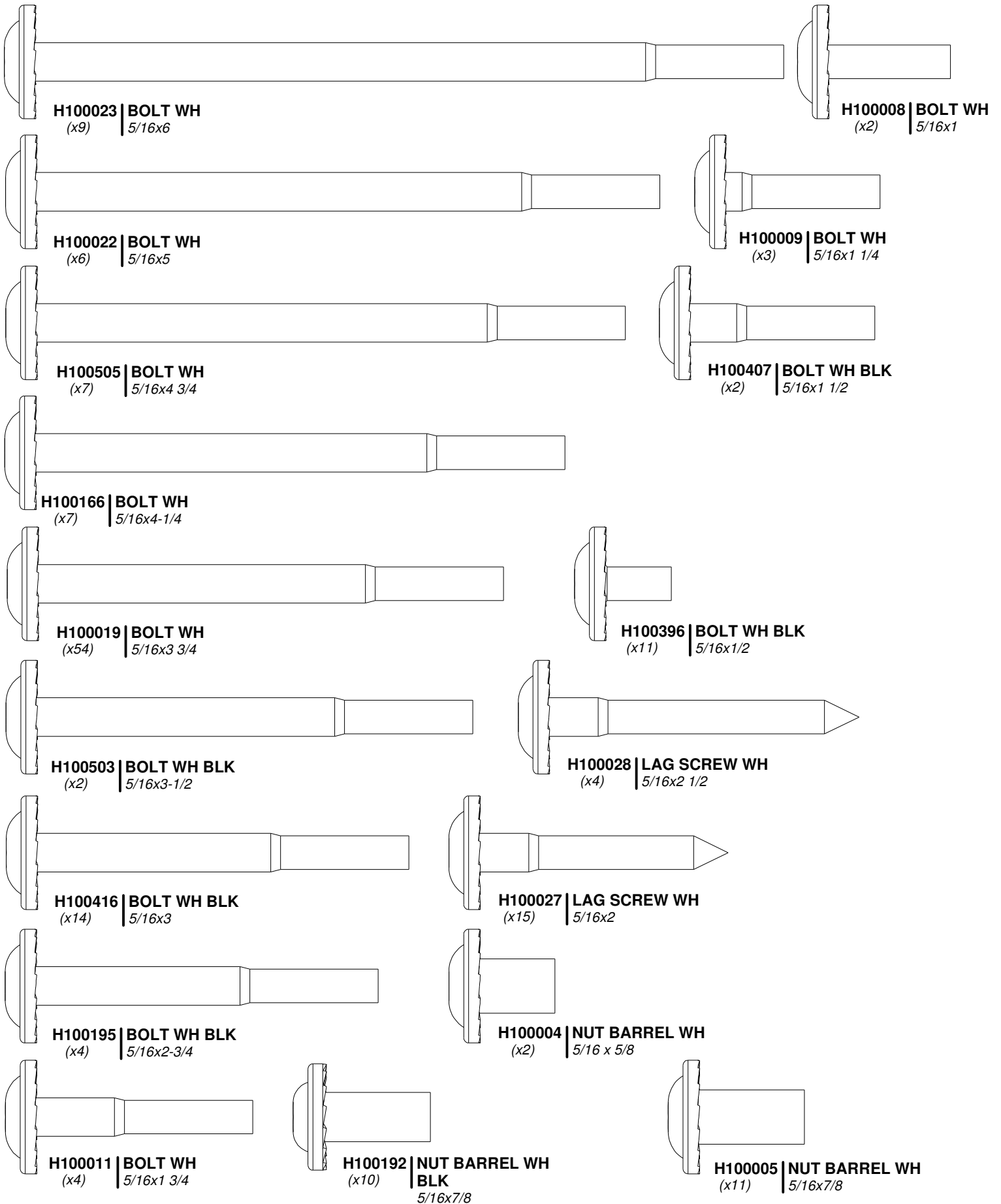
**RP1 | ROOF PANEL - W2A03276**  
 (x2) | 1 5/8"x20 5/8"x59" (42x511x1676)



**RP2 | ROOF PANEL - W2A03277**  
 (x2) | 1 5/8"x20 5/8"x66" (42x524x1676)

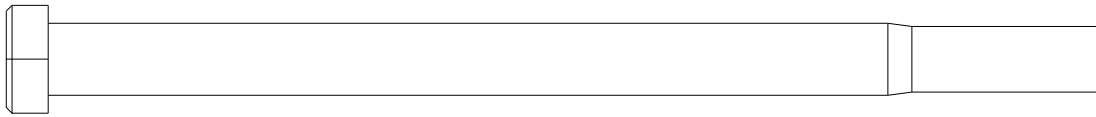
# Owner's Manual - Parts Identification

## Hardware Components

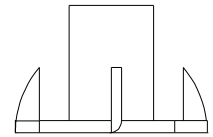


# Owner's Manual - Parts Identification

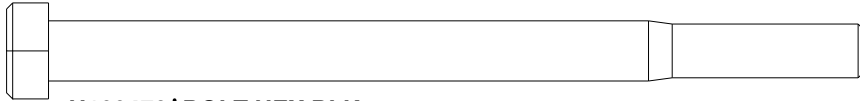
## Hardware Components



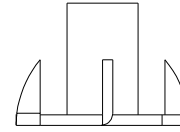
**H100654 | BOLT HEX**  
(x9) | 3/8x5-1/2



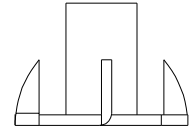
**H100073 | T-NUT**  
(x9) | 3/8



**H100476 | BOLT HEX BLK**  
(x2) | 5/16x4 1/4



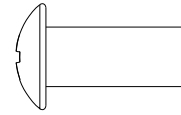
**H100074 | T-NUT**  
(x96) | 5/16



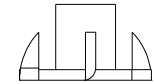
**H100379 | T-NUT BLK**  
(x9) | 5/16



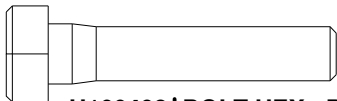
**H100050 | BOLT HEX**  
(x2) | 5/16x3 1/4



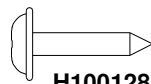
**H100831 | NUT BARREL PTH BLK**  
(x4) | 1/4x3/4



**H100072 | T-NUT**  
(x36) | 1/4



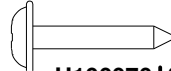
**H100498 | BOLT HEX - BLK**  
(x4) | 5/16x1 1/2



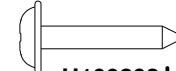
**H100128 | SCREW PWH**  
(x2) | 8x5/8



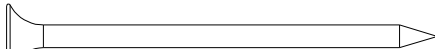
**H100092 | SCREW PFH**  
(x52) | 8x3



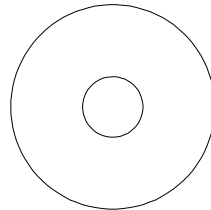
**H100070 | SCREW PWH**  
(x4) | 8x3/4



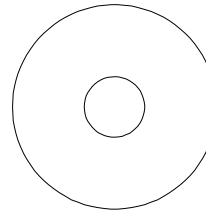
**H100392 | SCREW PWH BLK**  
(x2) | 8x3/4



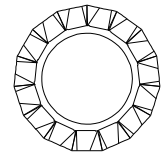
**H100091 | SCREW PFH**  
(x39) | 8x2 1/4



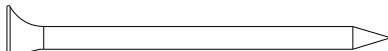
**H100105 | WASHER FLAT**  
(x2) | 8x27



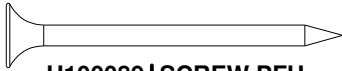
**H100478 | WASHER FLAT BLK**  
(x4) | 8x27



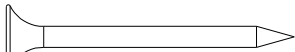
**H100031 | WASHER LOCK EXT**  
(x13) | 12x19



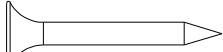
**H100111 | SCREW PFH**  
(x96) | 8x2



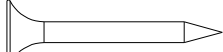
**H100089 | SCREW PFH**  
(x49) | 8x1 3/4



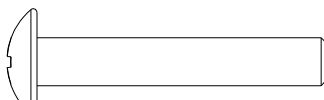
**H100086 | SCREW PFH**  
(x270) | 8x1 1/2



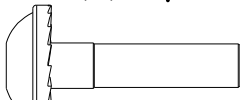
**H100380 | SCREW PFH BLK**  
(x26) | 8x1 1/8



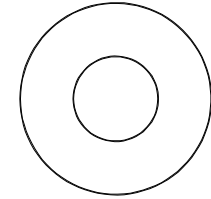
**H100088 | SCREW PFH**  
(x4) | 8x1 1/8



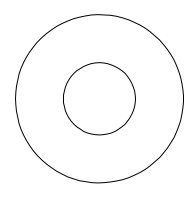
**H100773 | BOLT PTH BLK**  
(x4) | 1/4x1-1/2



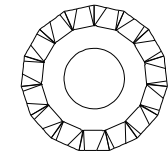
**H100137 | BOLT WH**  
(x36) | 1/4x1



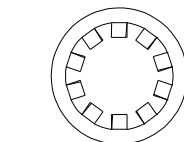
**H100102 | WASHER FLAT**  
(x9) | 11x25



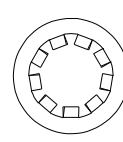
**H100770 | WASHER FLAT BLK**  
(x4) | 5/16



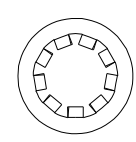
**H100030 | WASHER LOCK EXT**  
(x85) | 8x19



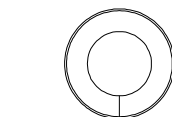
**H100107 | WASHER LOCK INT**  
(x9) | 10x18



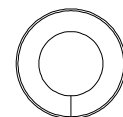
**H100108 | WASHER LOCK INT**  
(x37) | 8x15



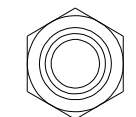
**H100473 | WASHER LOCK INT BLK**  
(x2) | 8x15



**H100477 | WASHER SPLIT BLK**  
(x4) | 5/16



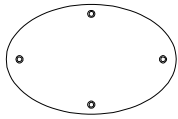
**H100095 | WASHER SPLIT**  
(x2) | 5/16



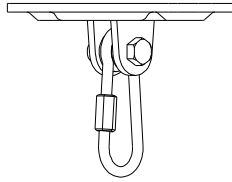
**H100479 | NUT LOCK BLK**  
(x2) | 5/16

# Owner's Manual - Parts Identification

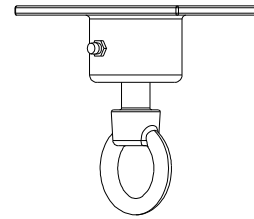
## Accessory Components (Not to Scale)



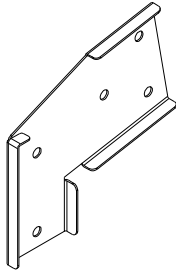
**A100164** | BYD ID TAG  
(x1) | (LARGE) AGES  
3-10



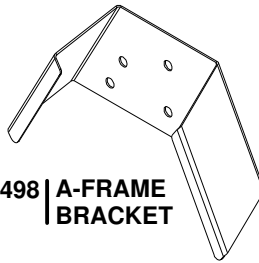
**A4M00505** | SWING HANGER  
(x4)



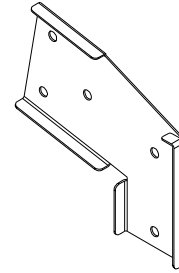
**H100338** | SWIVEL ARM  
(x1)



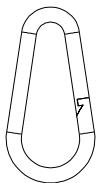
**A4M00617** | SWING BEAM  
(x1) | EXTENSION  
BRACKET-LEFT



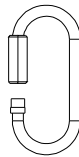
**A4M01498** | A-FRAME  
(x1) | BRACKET



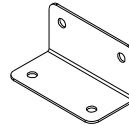
**A4M00618** | SWING BEAM  
(x1) | EXTENSION  
BRACKET-RIGHT



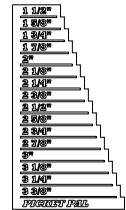
**A4M01044** | CARABINER SD  
(x1)



**A100069** | QUICK LINK  
(x4)



**A4M00619** | L BRACKET  
(x2) | 66x66x127 - BLK



**A6P00410** | PICKET PAL  
(x1)



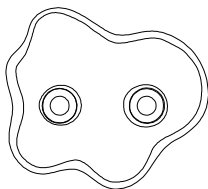
**A100047** | CHAIN GREEN  
(x4) | 57"



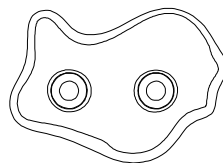
**A100027** | SWING SEAT  
(x2) | GREEN 26"



**A100178** | AUGER GROUND  
(x6) | STAKE



**A6P00036** | GREEN HC ROCK  
(x9) | #1



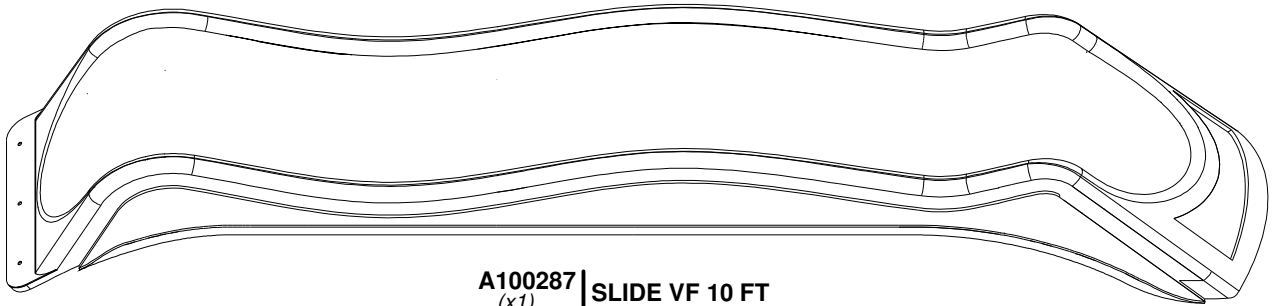
**A6P00037** | GREEN HC ROCK  
(x8) | #2



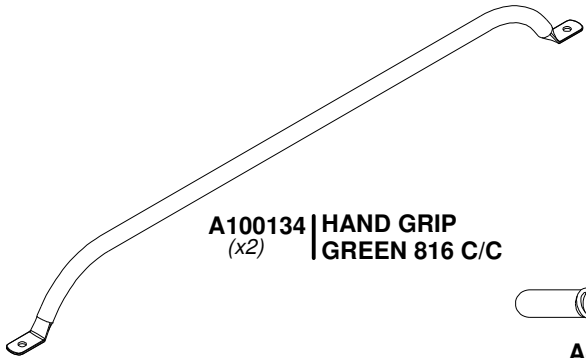
**A100314** | "A" REVISION  
(x1) | TAG

# Owner's Manual - Parts Identification

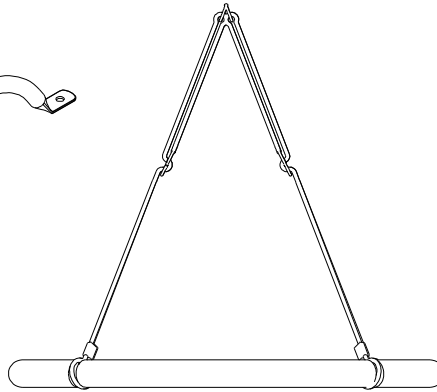
## Accessory Components (Not to Scale)



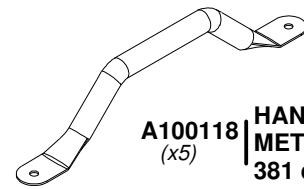
**A100287** | SLIDE VF 10 FT  
(x1)



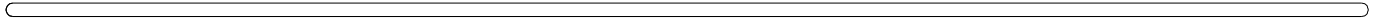
**A100134** | HAND GRIP  
(x2) | GREEN 816 C/C



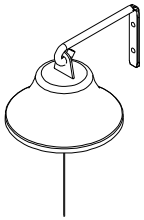
**A4M01495** | 40" WEB SWING  
(x1)



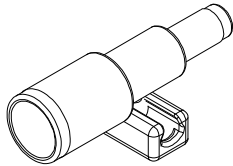
**A100118** | HAND GRIP  
(x5) | METAL GREEN  
381 c/c



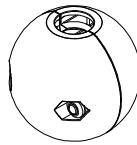
**A6P00507** | ROPE  
(x3)



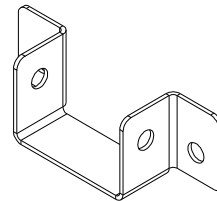
**A4M00554** | BELL  
(x1)



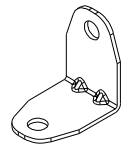
**A6P00096** | TELESCOPE  
(x1)



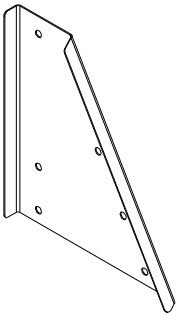
**A6P00508** | ROPE CLAMP KIT  
(x23)



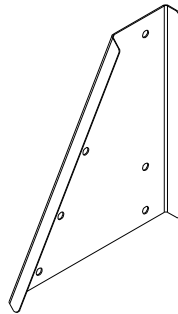
**A4M01480** | JOIST HANGER  
(x4) | 90°



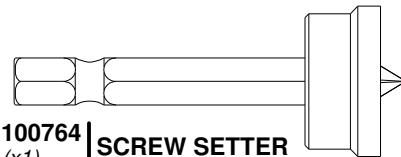
**A4M01047** | L BRACKET  
(x2) | 2.5x38x55x55



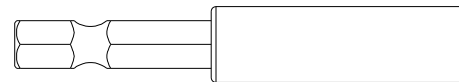
**A4M01481** | A-FRAME  
(x2) | BRACKET-RT



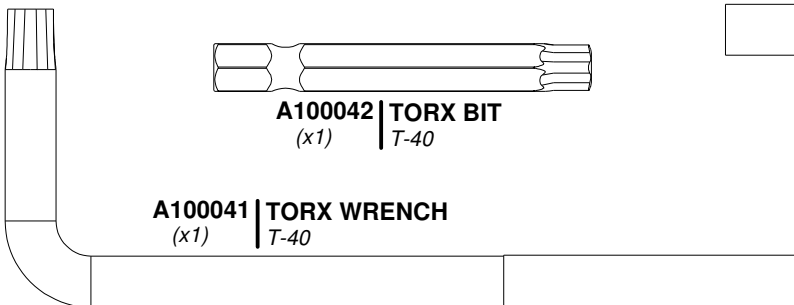
**A4M01482** | A-FRAME  
(x2) | BRACKET-LT



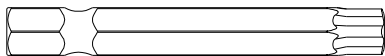
**H100764** | SCREW SETTER  
(x1)



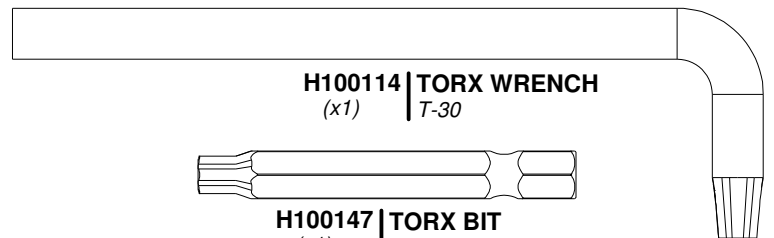
**H101100** | MAGNETIC DRIVER  
(x1)



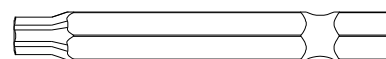
**A100041** | TORX WRENCH  
(x1) | T-40



**A100042** | TORX BIT  
(x1) | T-40



**H100114** | TORX WRENCH  
(x1) | T-30



**H100147** | TORX BIT  
(x1) | T-30

# PRE-ASSEMBLY STEP 1 - SORTING PARTS

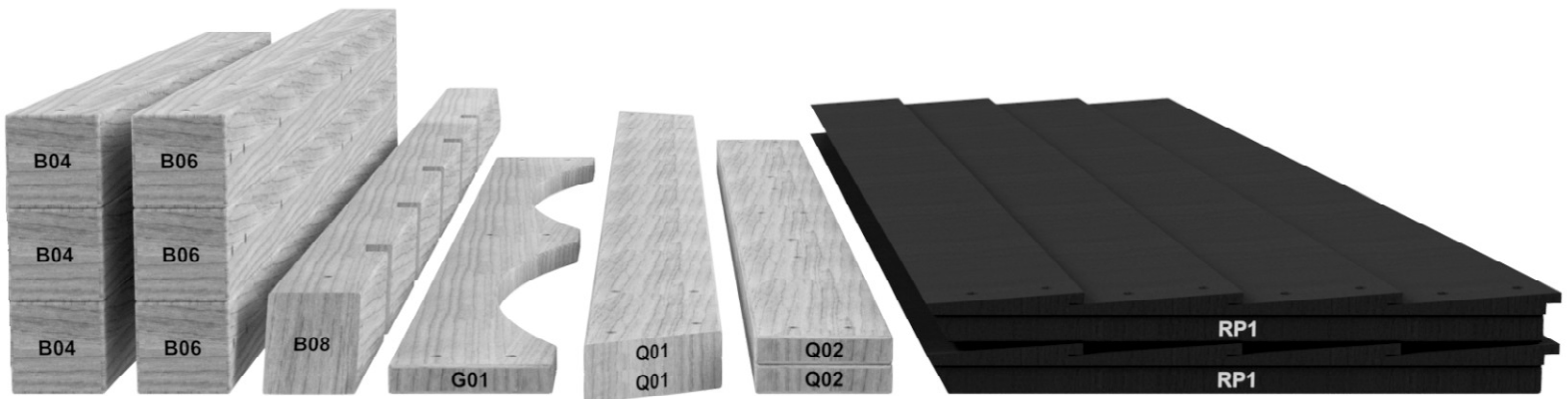
It is critical for ease of assembly that you take the time to sort and organize the wood and hardware.

---

## WOOD PARTS:

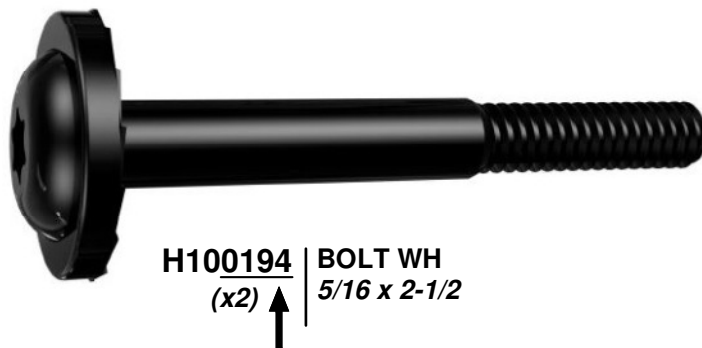
- Organize wood parts by the three-digit, alpha-numeric number stamped on each board (ex. P01).
- If there are multiple boards with the same stamped number, stack those pieces together.
- Stamps can be found on the flat surface of the boards or on the end of the boards.
- Allow yourself plenty of room - the wood pieces can take up a significant amount of space.

**NOTE: CARTONS ARE NOT ORGANIZED BY BOARD NUMBER.**



## HARDWARE PARTS:

- We recommend that you have a separate table to organize the hardware.
- Hardware bags are printed with a seven-digit, alpha-numeric part number.
- You can organize your hardware by part number or group by hardware type (i.e. bolts, nuts, etc.).
- During assembly you only need to reference the last four digits of the number.



# PRE-ASSEMBLY STEP 2 - TOOLS REQUIRED



Cordless Drill or  
Electric Drill



Drill Attachments:  
Phillips Head



1/8", 3/16", 3/8" & 7/16"  
Drill Bits



Phillips Screw Driver



Open End Wrenches 1/2" & 9/16"



3/8" Drive Ratchet, 1/2" &  
9/16" STD Sockets 1/2" & 9/16"  
Deep Sockets



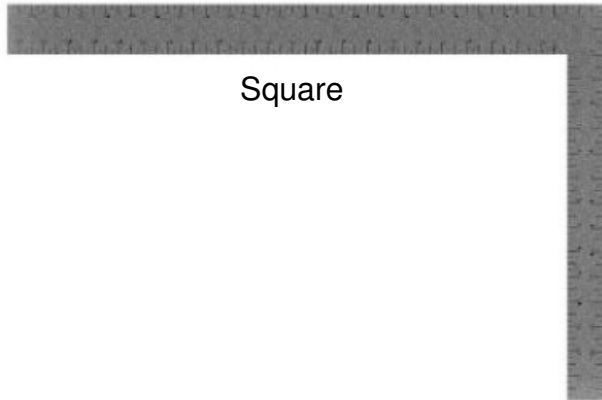
Claw Hammer



Rubber Mallet - Optional



Tape Measure



Square





Level 24"

# PRE-ASSEMBLY STEP 3 - CHOOSE YOUR ASSEMBLY METHOD

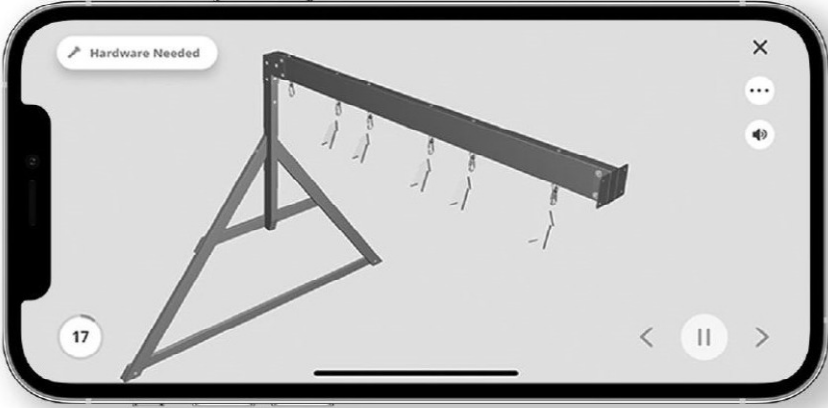


There are several types of assembly instructions available to you.

1. Printed Assembly Manual included with your set
2. BILT APP - 3D interactive instructions
3. Combination of the Printed Manual and BILT APP (Note: Step numbers can differ between the two methods)



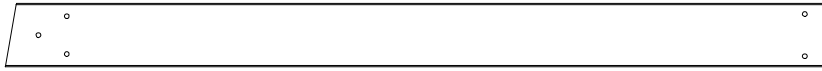
## Scan for easy 3D instructions

Download the BILT app  
before you begin

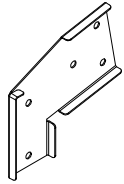


The image shows a smartphone screen displaying the BILT app interface. The screen features a 3D assembly diagram of a metal frame. At the top left, there is a button labeled "Hardware Needed". At the bottom left, the number "17" is displayed in a circle. At the bottom right, there are navigation icons: a back arrow, a pause button, and a forward arrow. The app interface is clean and modern, with a white background and grey accents.

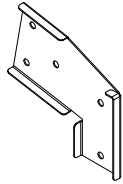
# STEP 1 - SWING BEAM ASSEMBLY



**A50** | SWING BEAM 2 POSITION - W4L15991  
(x1) | 3 3/8"x5 1/4"x68 1/2" (86x134x1740)



**A4M00617** | SWING BEAM  
EXTENSION  
BRACKET-LEFT  
(x1)

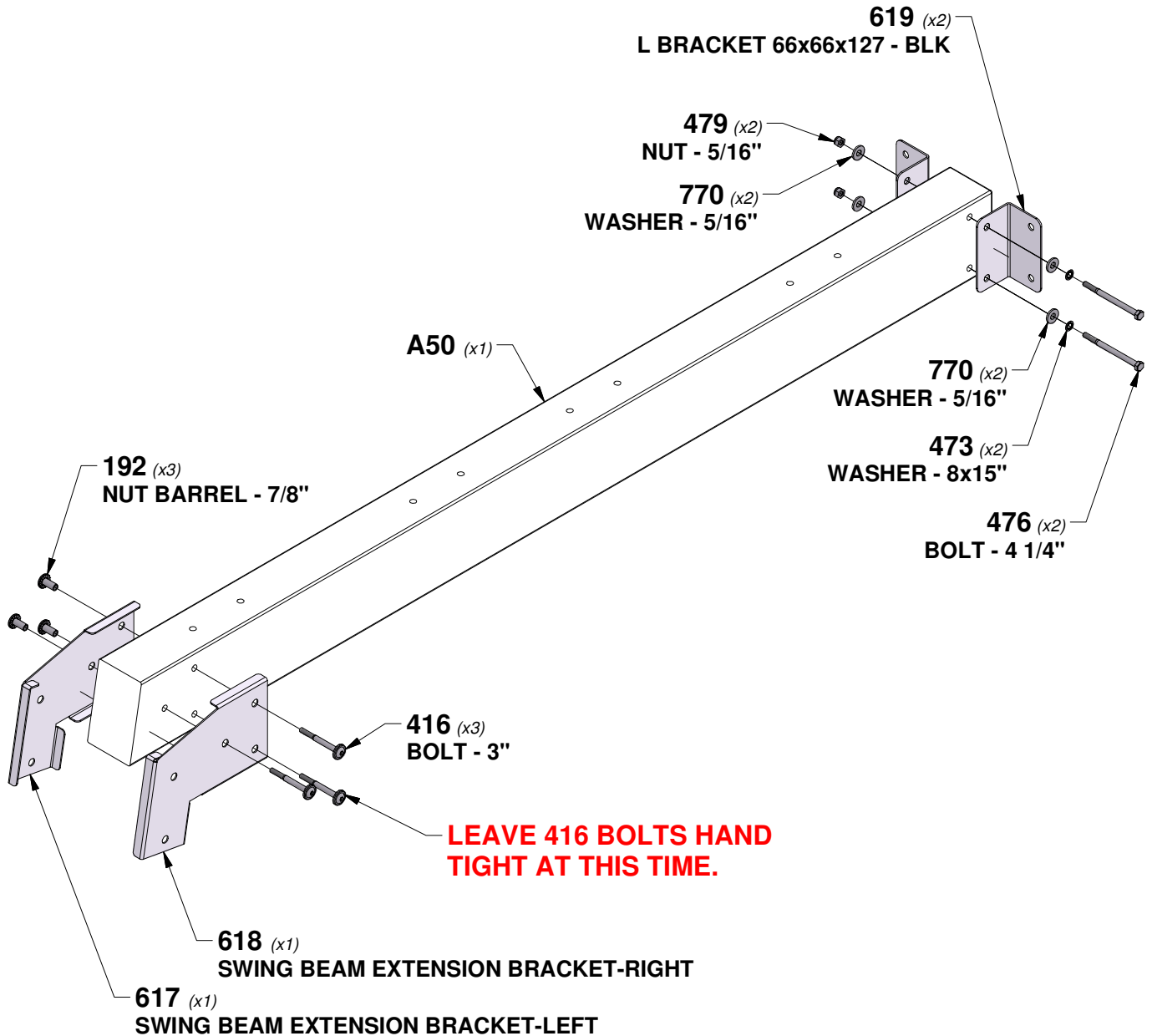


**A4M00618** | SWING BEAM  
EXTENSION  
BRACKET-RIGHT  
(x1)



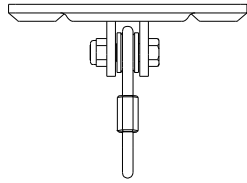
**A4M00619** | L BRACKET  
(x2) | 66x66x127 - BLK

QTY	PART NUMBER	DESCRIPTION
3	H100192	NUT BARREL WH 5/16x7/8 BLK
3	H100416	BOLT WH 5/16x3 BLK
2	H100473	WASHER LOCK INT 8x15 BLK
2	H100476	BOLT HEX 5/16x4 1/4 BLK
2	H100479	NUT LOCK 5/16 BLK
4	H100770	WASHER FLAT 5/16 BLK

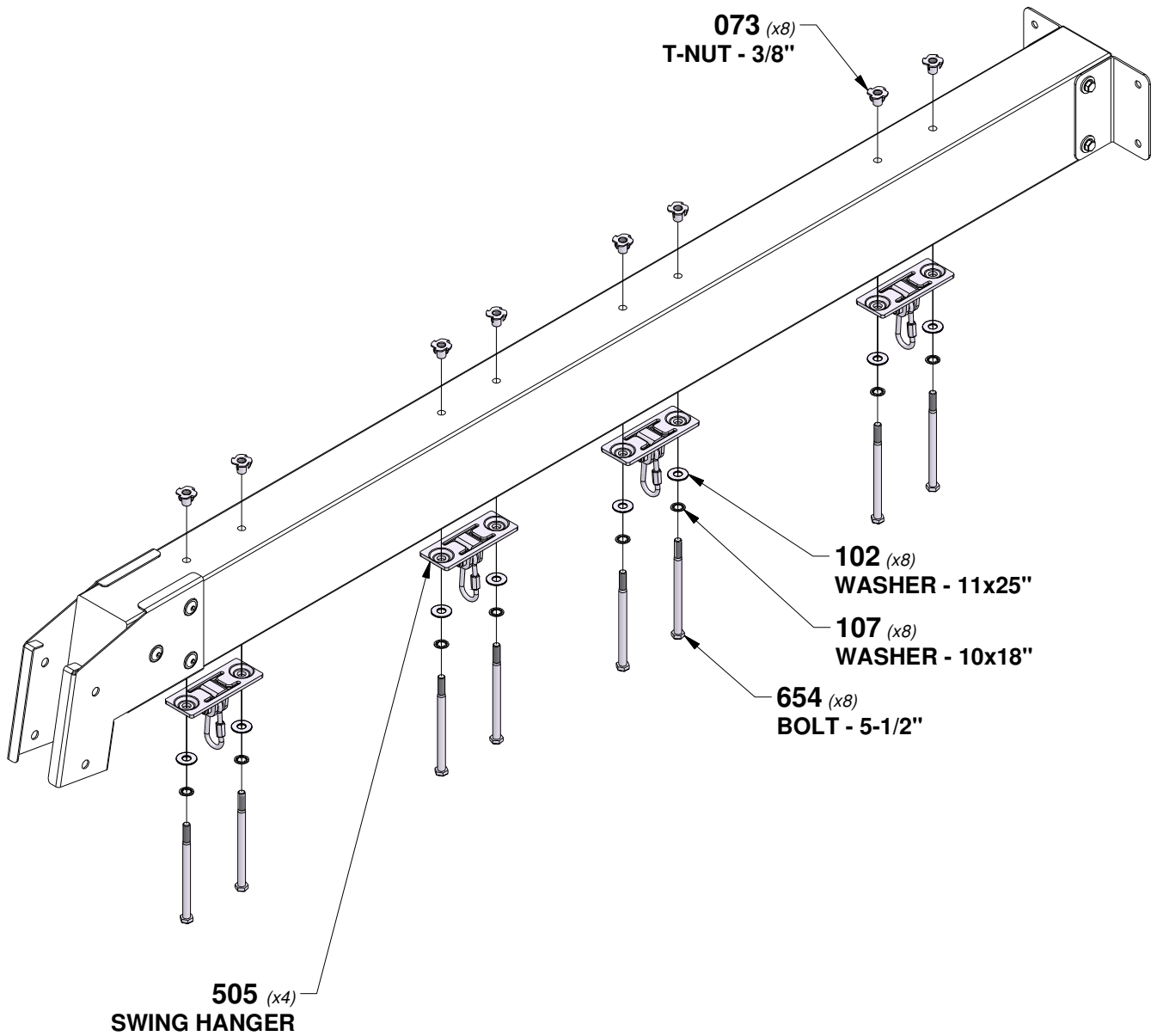


# STEP 2 - SWING BEAM ASSEMBLY

QTY	PART NUMBER	DESCRIPTION
8	H100073	T-NUT 3/8
8	H100102	WASHER FLAT 11x25
8	H100107	WASHER LOCK INT 10x18
8	H100654	BOLT HEX 3/8x5-1/2



**A4M00505**  
(x4) | SWING HANGER

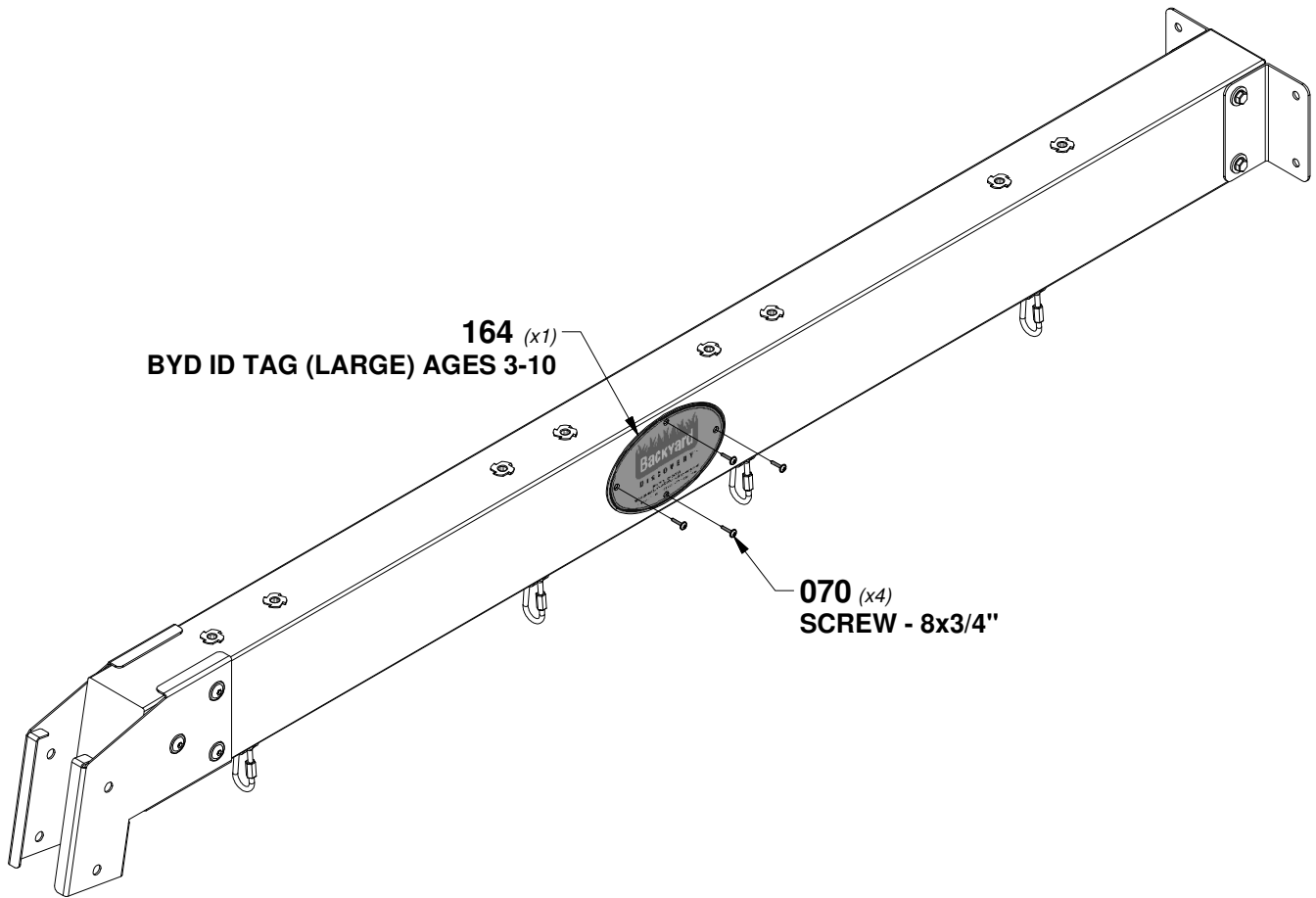


# STEP 3 - SWING BEAM ASSEMBLY

QTY	PART NUMBER	DESCRIPTION
4	H100070	SCREW PWH 8x3/4



A100164 (x1) | BYD ID TAG  
(LARGE) AGES  
3-10

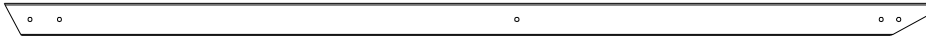


# STEP 4 - SWING BEAM ASSEMBLY

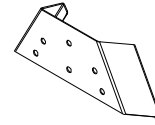
QTY	PART NUMBER	DESCRIPTION
6	H100379	T-NUT 5/16 BLK
4	H100416	BOLT WH 5/16x3 BLK
2	H100503	BOLT WH 5/16x3-1/2 BLK



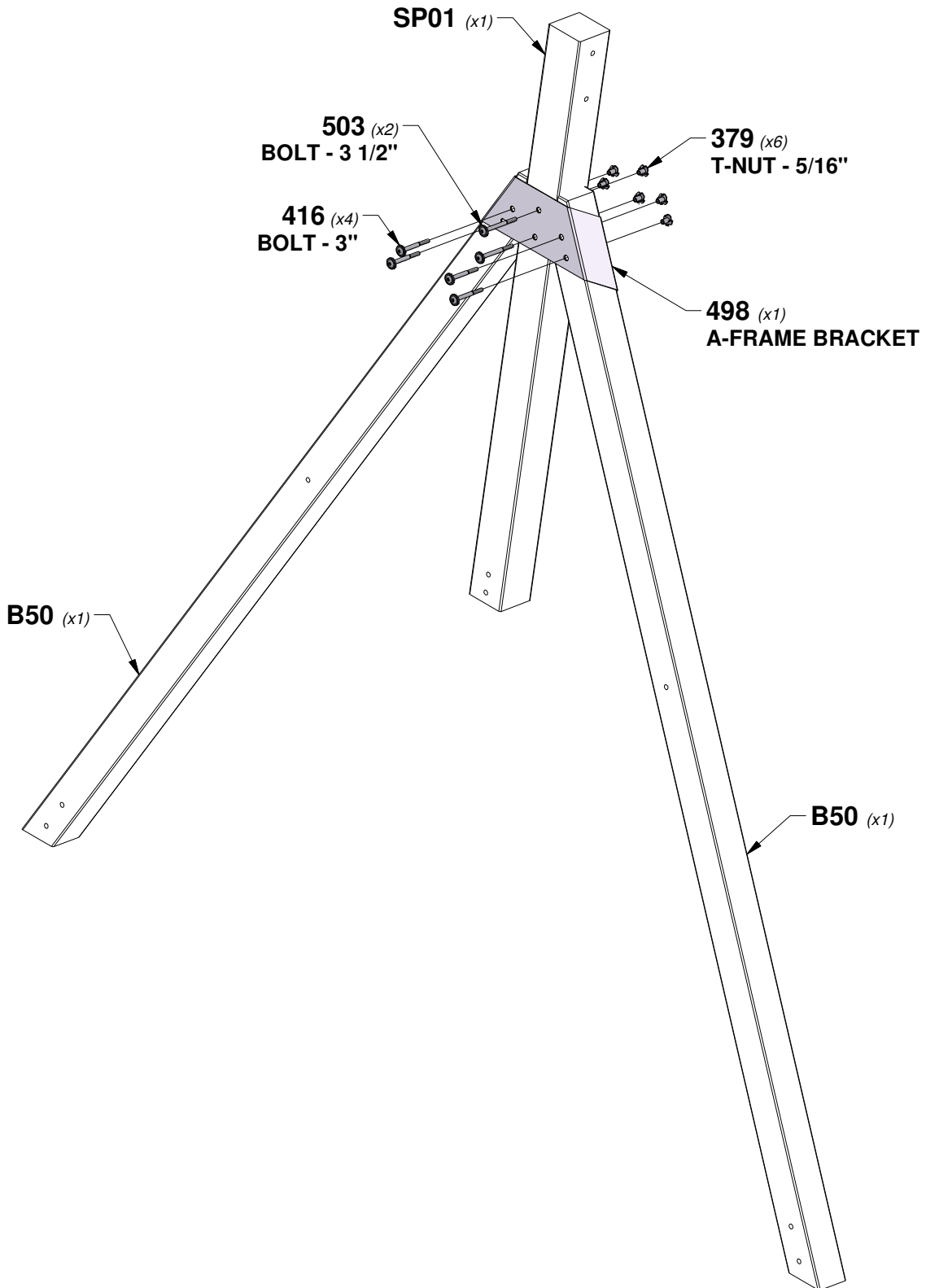
**SP01** | SWING BEAM SUPPORT - W4L15992  
(x1) | 3 3/8"x3 3/8"x50" (86x86x1269)



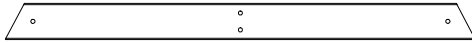
**B50** | ANGLE BRACE - W4L15993  
(x2) | 3"x3"x87 1/8" (76x76x2212)



**A4M01498** | A-FRAME BRACKET  
(x1)



# STEP 5 - SWING BEAM ASSEMBLY



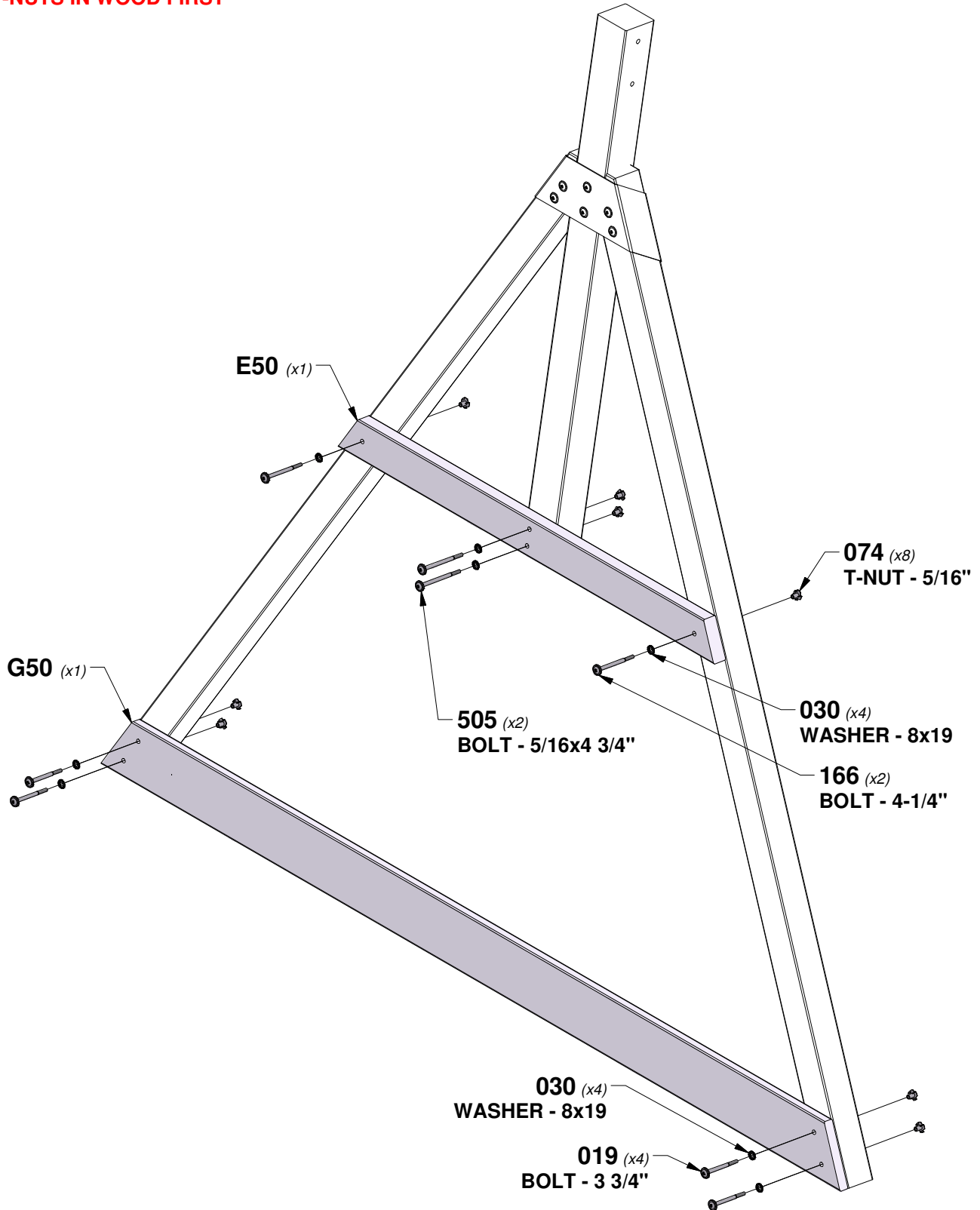
**E50 | END SUPPORT - W4L15994**  
(x1) | 1 3/8"x3 3/8"x44 1/8" (36x86x1120)



**G50 | GROUND BOARD - W4L15995**  
(x1) | 1"x5 1/4"x86 3/4" (24x134x2202)

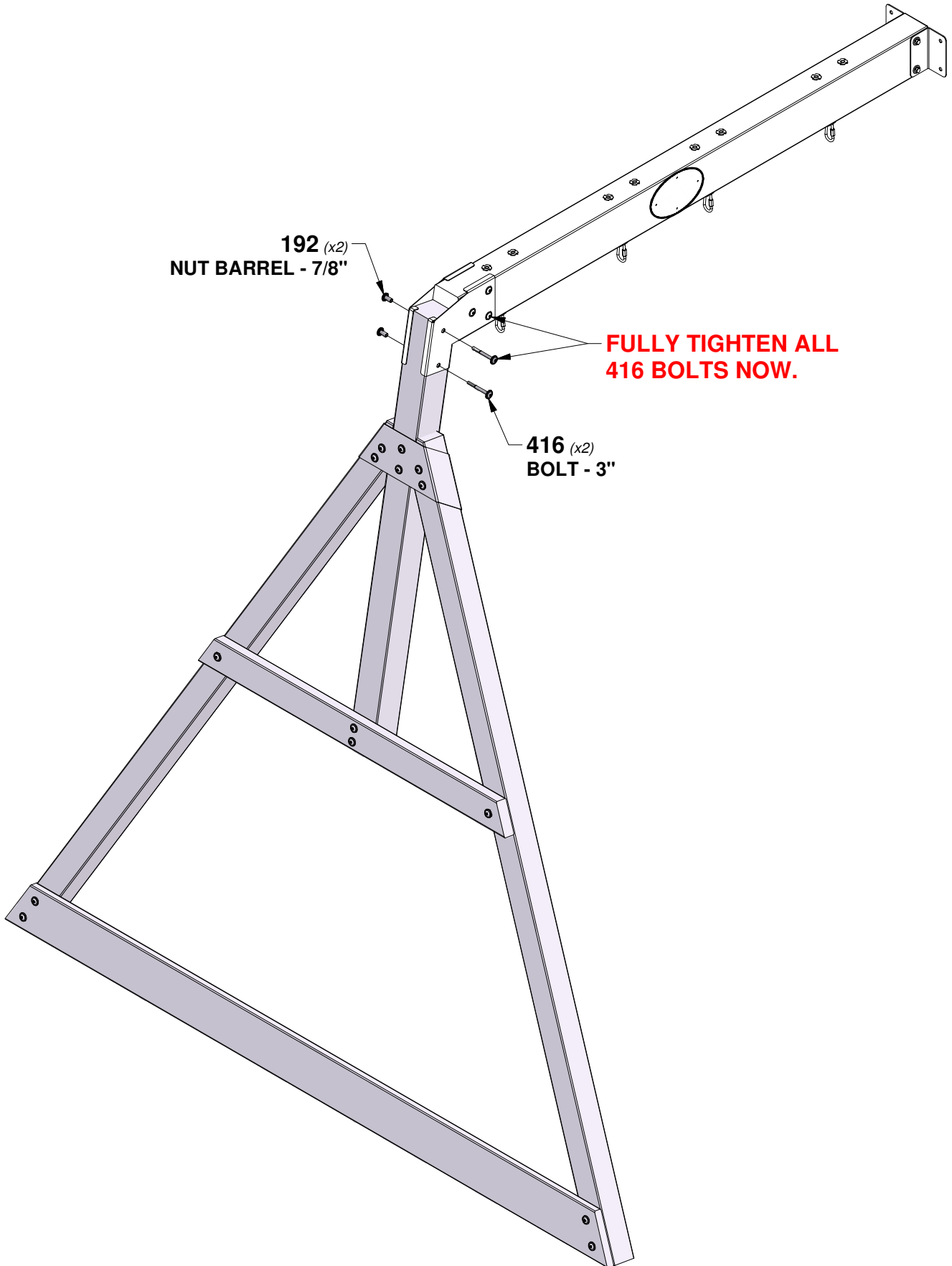
QTY	PART NUMBER	DESCRIPTION
4	H100019	BOLT WH 5/16x3 3/4
8	H100030	WASHER LOCK EXT 8x19
8	H100074	T-NUT 5/16
2	H100166	BOLT WH 5/16x4 1/4
2	H100505	BOLT WH 5/16x4 3/4

**TIP:**  
INSTALL T-NUTS IN WOOD FIRST



# STEP 6 - SWING BEAM ASSEMBLY

QTY	PART NUMBER	DESCRIPTION
2	H100192	NUT BARREL WH 5/16x7/8 BLK
2	H100416	BOLT WH 5/16x3 BLK



# STEP 1 - FORT ASSEMBLY

QTY	PART NUMBER	DESCRIPTION
6	H100019	BOLT WH 5/16x3 3/4
10	H100030	WASHER LOCK EXT 8x19
16	H100074	T-NUT 5/16
4	H100166	BOLT WH 5/16x4-1/4
2	H100416	BOLT WH 5/16x3 BLK

**B01** | UPRIGHT - W4L15718  
(x1) | 3"x3"x55 1/2" (76x76x1410)

**B06** | UPRIGHT - W4L15728  
(x1) | 3"x3"x55 1/2" (76x76x1410)

**H08** | WALL RAIL - W4L15984  
(x1) | 1"x3 3/8"x59 1/8" (24x86x1501)

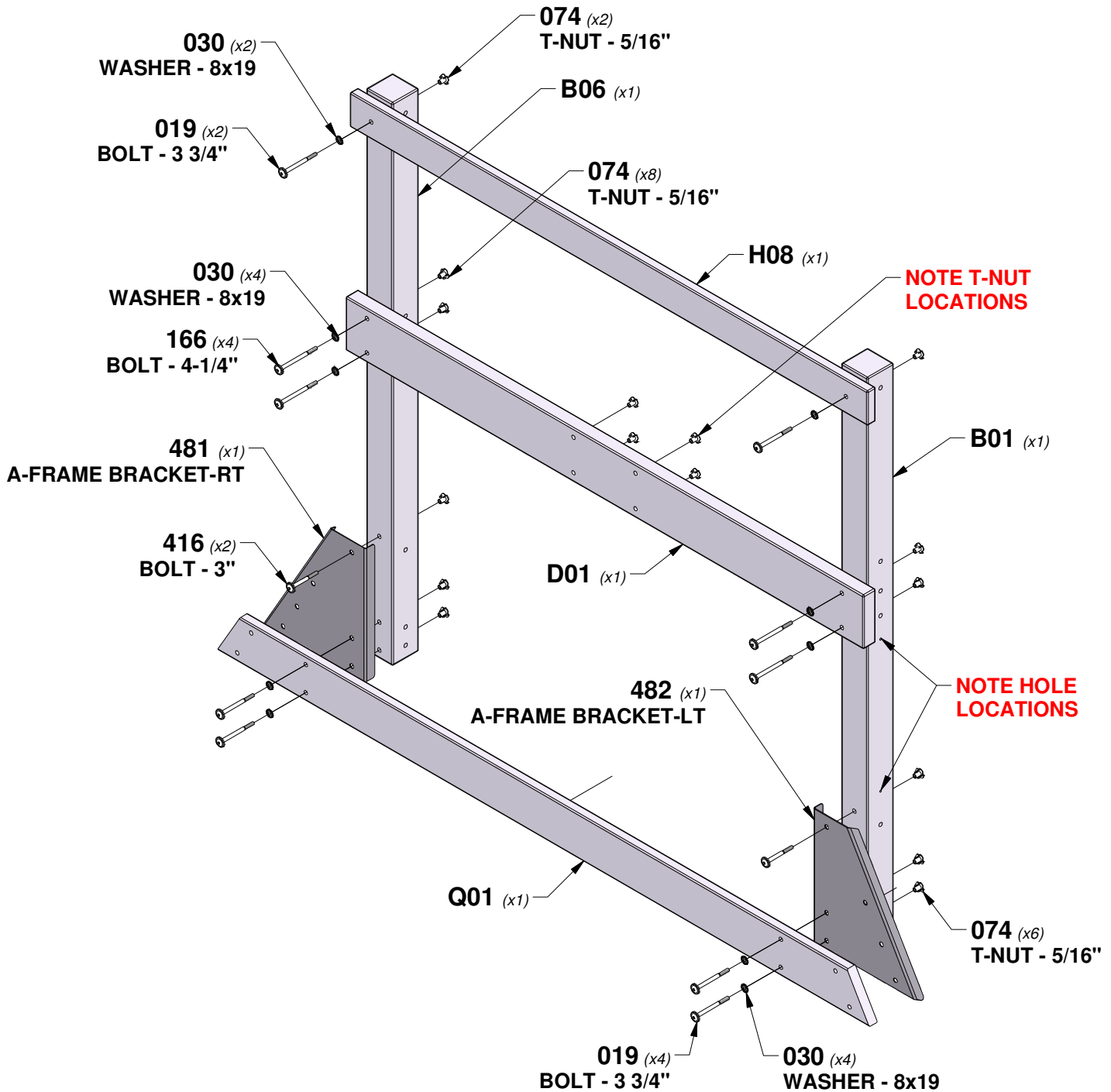
**D01** | WALL RAIL - W4L15729  
(x1) | 1 3/8"x5 1/4"x59 1/8" (36x134x1501)

**Q01** | FLOOR RAIL - W4L15717  
(x1) | 1"x4 3/8"x74 3/8" (24x112x1890)

**A4M01481** | A-FRAME  
BRACKET-RT  
(x1)

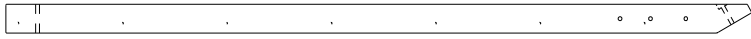
**A4M01482** | A-FRAME  
BRACKET-LT  
(x1)

**TIP:**  
INSTALL T-NUTS IN WOOD FIRST



# STEP 2 - FORT ASSEMBLY

QTY	PART NUMBER	DESCRIPTION
4	H100019	BOLT WH 5/16x3 3/4
2	H100022	BOLT WH 5/16x5
6	H100030	WASHER LOCK EXT 8x19
6	H100074	T-NUT 5/16

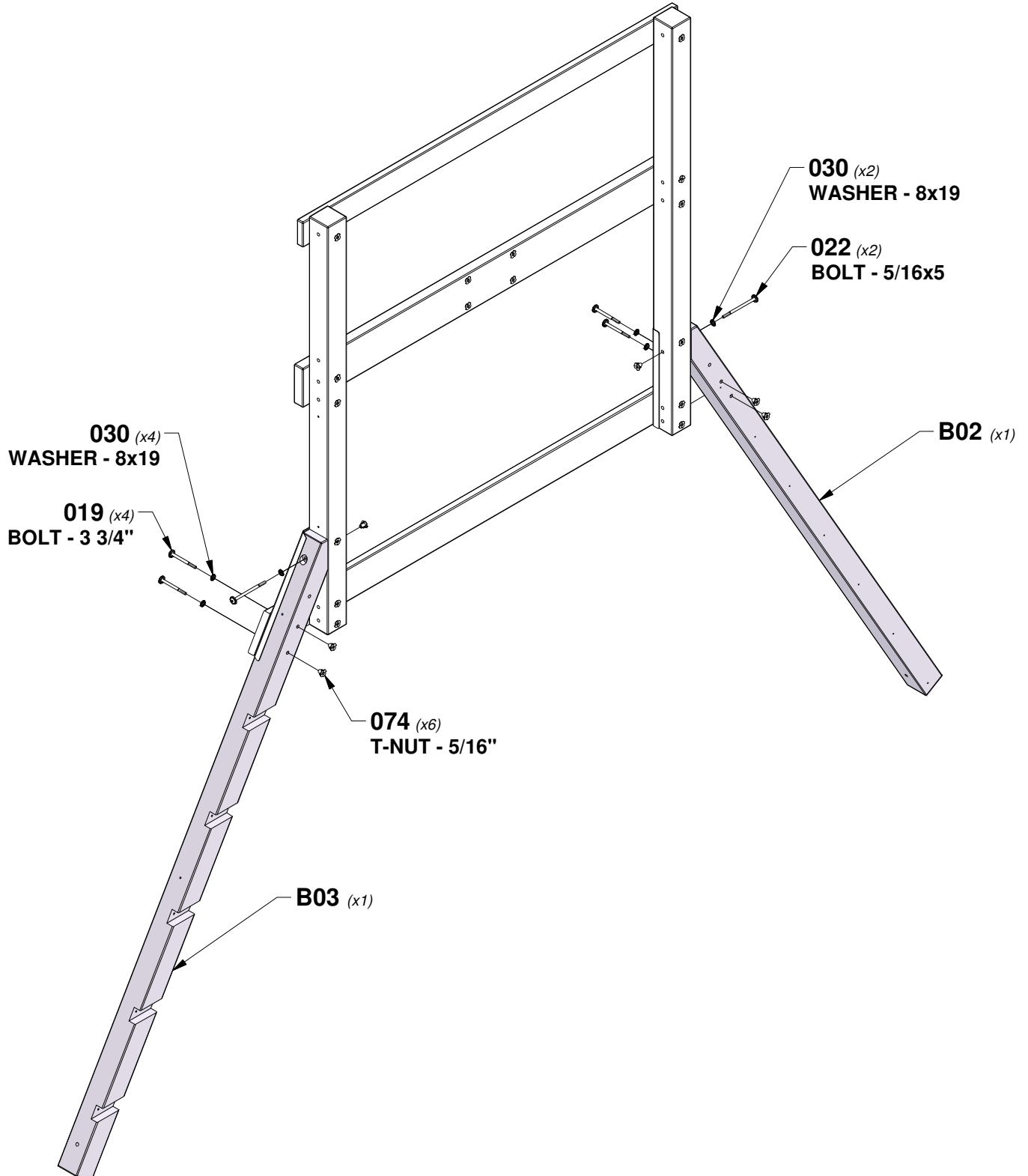


**B02** | LEG - W4L15719  
(x1) | 3"x3"x77 3/4" (76x76x1975)



**B03** | LEG - W2A03278  
(x1) | 3"x3"x79 3/8" (76x76x2015)

**TIP:**  
INSTALL T-NUTS IN WOOD FIRST



# STEP 3 - FORT ASSEMBLY

QTY	PART NUMBER	DESCRIPTION
10	H100019	BOLT WH 5/16x3 3/4
10	H100030	WASHER LOCK EXT 8x19
12	H100074	T-NUT 5/16
2	H100416	BOLT WH 5/16x3 BLK

**B01** | UPRIGHT - W4L15718  
(x1) | 3"x3"x55 1/2" (76x76x1410)

**B06** | UPRIGHT - W4L15728  
(x1) | 3"x3"x55 1/2" (76x76x1410)

**H08** | WALL RAIL - W4L15984  
(x1) | 1"x3 3/8"x59 1/8" (24x86x1501)

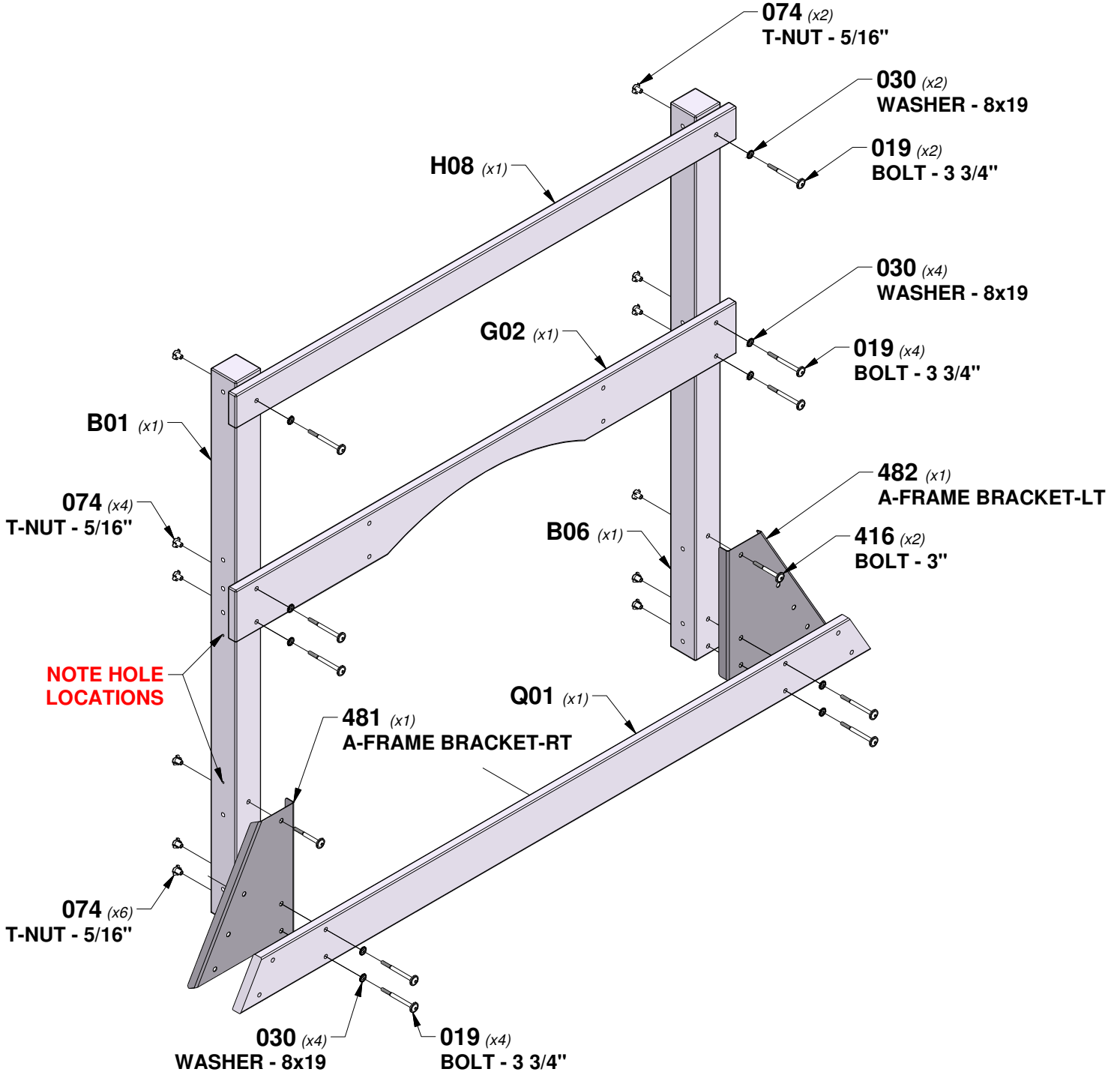
**G02** | WALL RAIL - W4L15726  
(x1) | 1"x5 1/4"x59 1/8" (24x134x1501)

**Q01** | FLOOR RAIL - W4L15717  
(x1) | 1"x4 3/8"x74 3/8" (24x112x1890)

**A4M01481** | A-FRAME  
BRACKET-RT  
(x1)

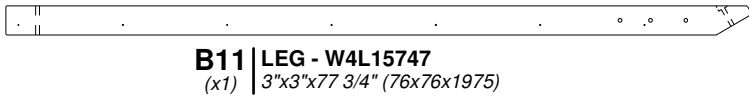
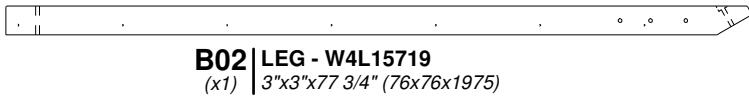
**A4M01482** | A-FRAME  
BRACKET-LT  
(x1)

**TIP:**  
INSTALL T-NUTS IN WOOD FIRST

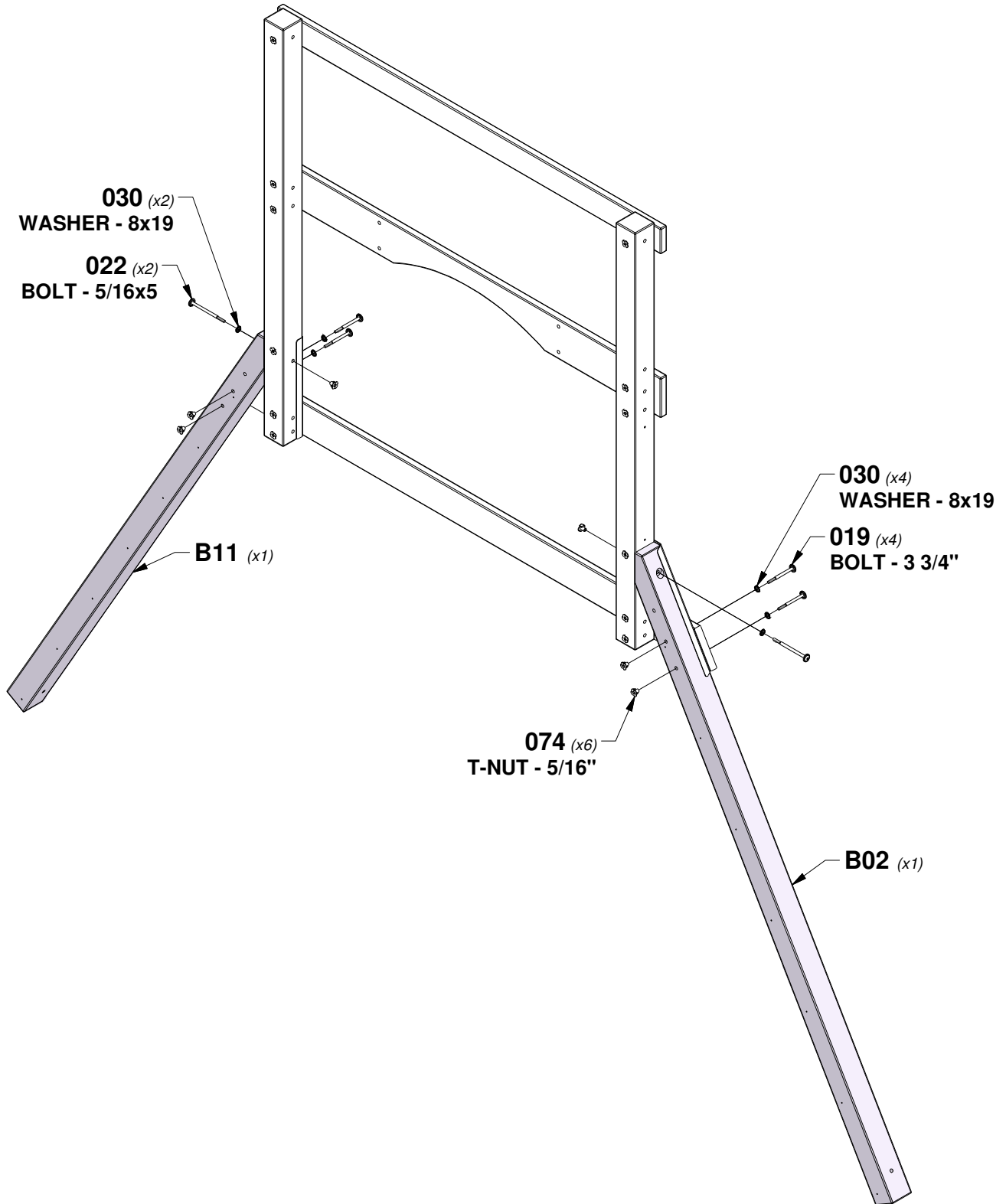


# STEP 4 - FORT ASSEMBLY

QTY	PART NUMBER	DESCRIPTION
4	H100019	BOLT WH 5/16x3 3/4
2	H100022	BOLT WH 5/16x5
6	H100030	WASHER LOCK EXT 8x19
6	H100074	T-NUT 5/16



**TIP:**  
**INSTALL T-NUTS IN WOOD FIRST**



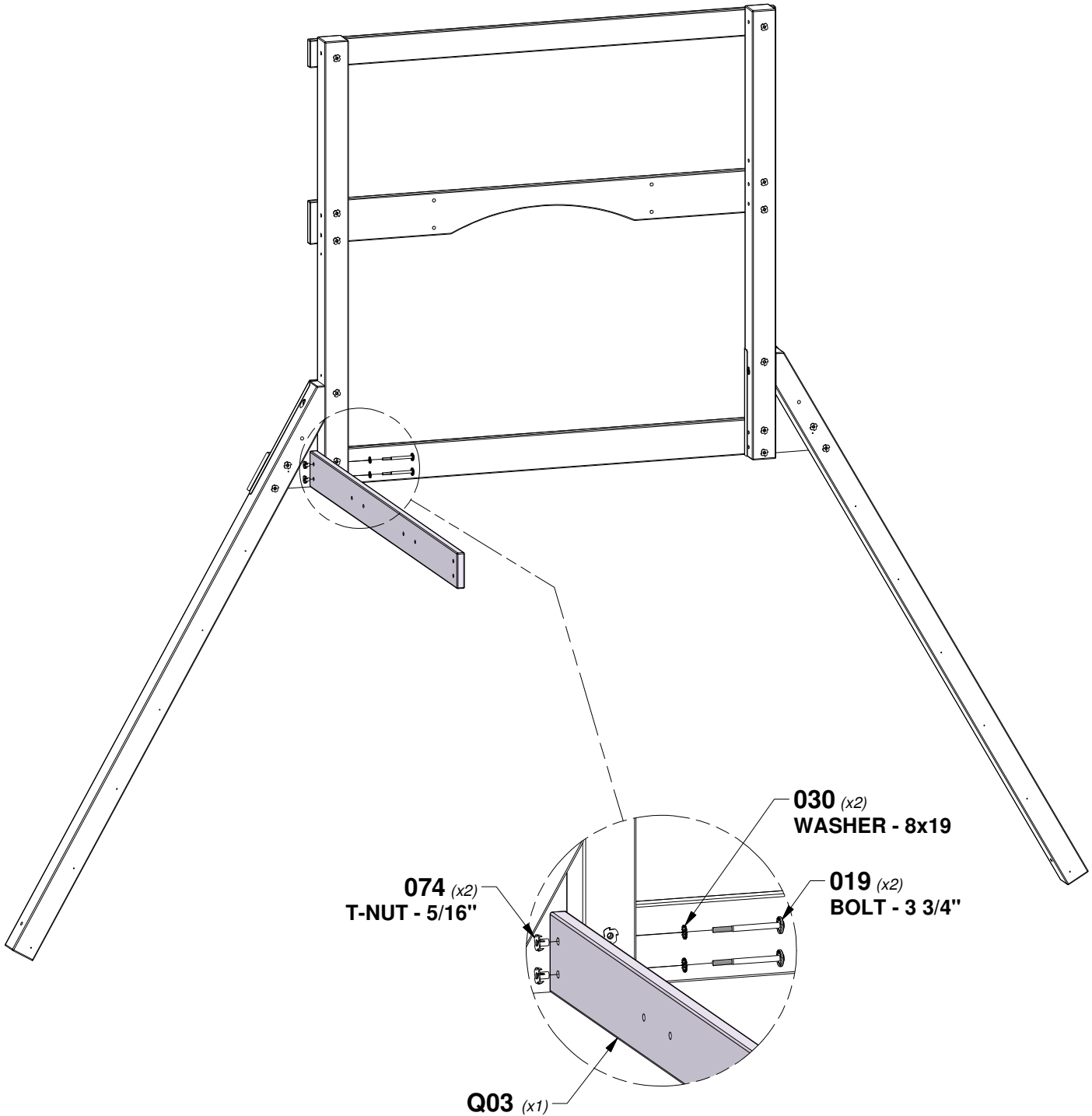
# STEP 5 - FORT ASSEMBLY

QTY	PART NUMBER	DESCRIPTION
2	H100019	BOLT WH 5/16x3 3/4
2	H100030	WASHER LOCK EXT 8x19
2	H100074	T-NUT 5/16



**Q03** FLOOR RAIL - W4L15724  
(x1) 1"x4 3/8"x57 1/2" (24x112x1460)

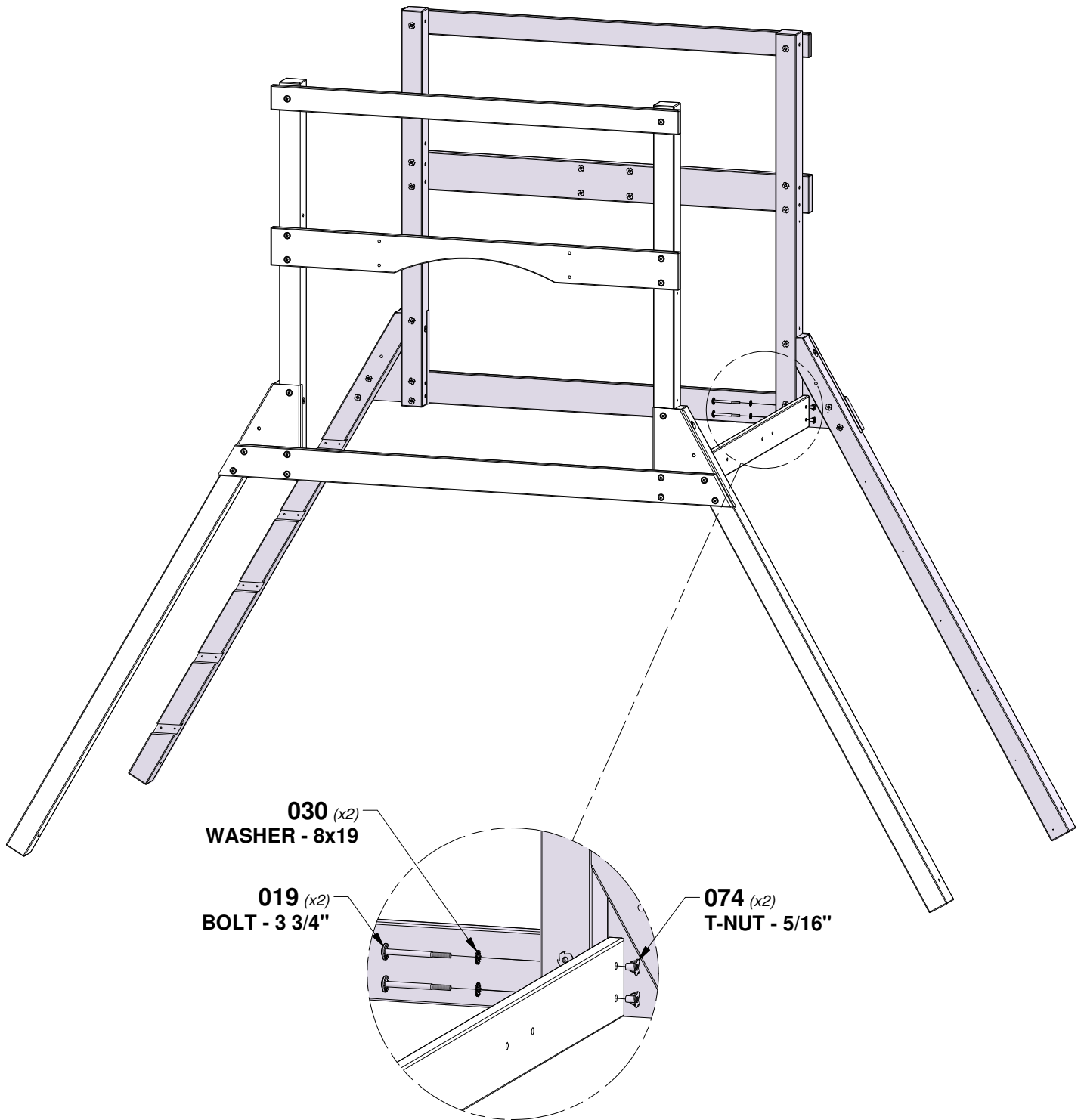
**TIP:**  
INSTALL T-NUTS IN WOOD FIRST



# STEP 6 - FORT ASSEMBLY

QTY	PART NUMBER	DESCRIPTION
2	H100019	BOLT WH 5/16x3 3/4
2	H100030	WASHER LOCK EXT 8x19
2	H100074	T-NUT 5/16

**TIP:**  
**INSTALL T-NUTS IN WOOD FIRST**



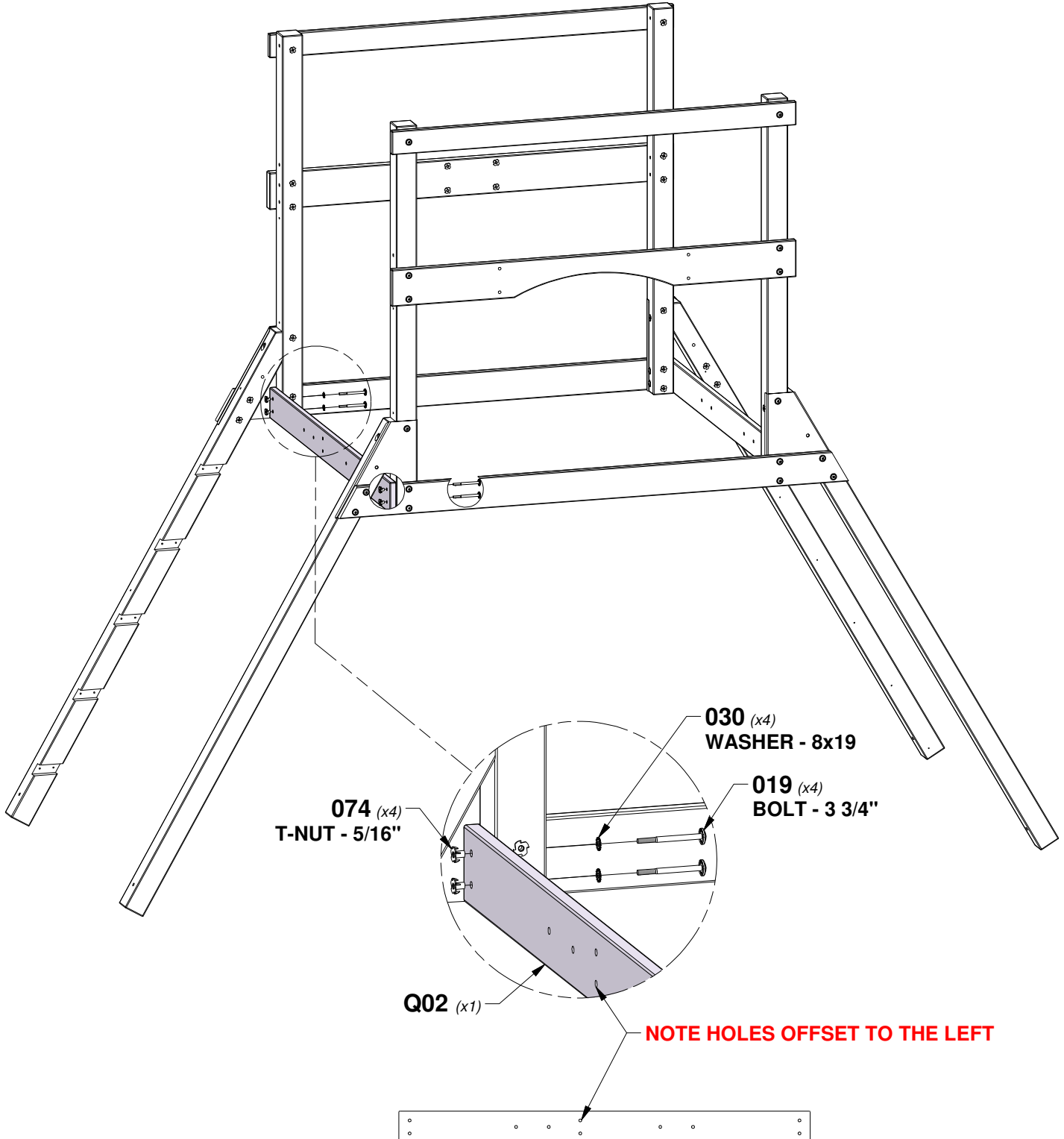
# STEP 7 - FORT ASSEMBLY

QTY	PART NUMBER	DESCRIPTION
4	H100019	BOLT WH 5/16x3 3/4
4	H100030	WASHER LOCK EXT 8x19
4	H100074	T-NUT 5/16



**Q02** | FLOOR RAIL - W4L15721  
 (x1) | 1"x4 3/8"x57 1/2" (24x112x1460)

**TIP:**  
**INSTALL T-NUTS IN WOOD FIRST**

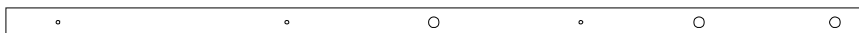


# STEP 8 - FORT ASSEMBLY

QTY	PART NUMBER	DESCRIPTION
4	H100074	T-NUT 5/16
4	H100030	WASHER LOCK EXT 8x19
4	H100023	BOLT WH 5/16X6

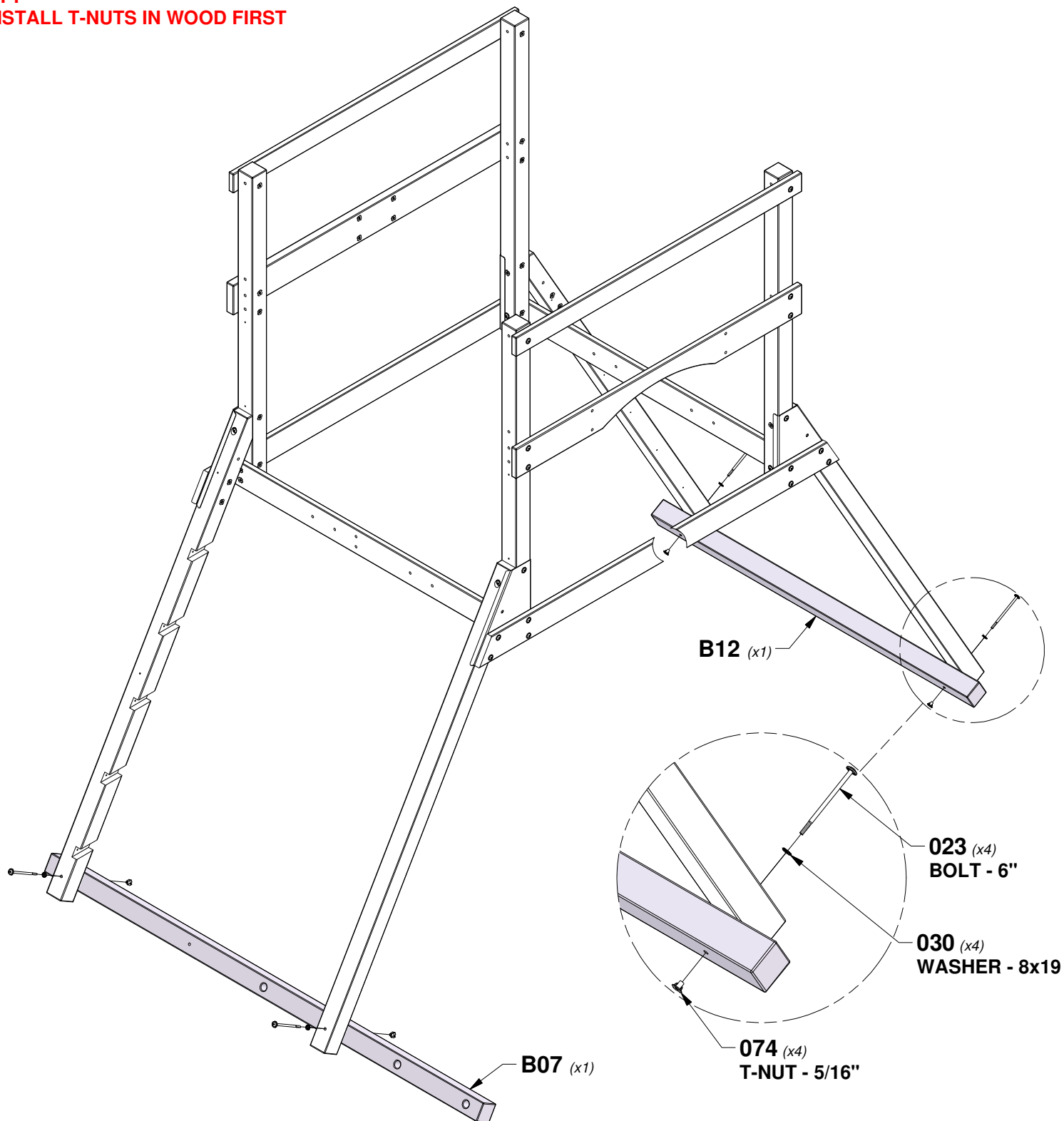


**B12** | GROUND BOARD - W4L15976  
(x1) | 3"x3"x65 3/8" (76x76x1660)



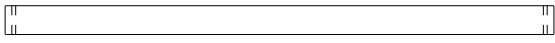
**B07** | GROUND BOARD - W4L15733  
(x1) | 3"x3"x89 3/8" (76x76x2270)

**TIP:**  
INSTALL T-NUTS IN WOOD FIRST

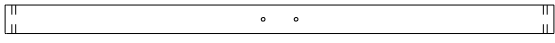


# STEP 9 - FORT ASSEMBLY

QTY	PART NUMBER	DESCRIPTION
8	H100005	NUT BARREL WH 5/16x7/8
8	H100031	WASHER LOCK EXT 12x19
2	H100128	SCREW PWH 8x5/8
4	H100192	NUT BARREL WH 5/16x7/8 BLK
4	H100195	BOLT WH 5/16x2-3/4 BLK
8	H100396	BOLT WH 5/16x1/2 BLK



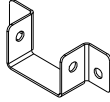
**B05** | FLOOR JOIST - W4L15723  
(x1) | 3"x3"x57 1/4" (76x76x1453)



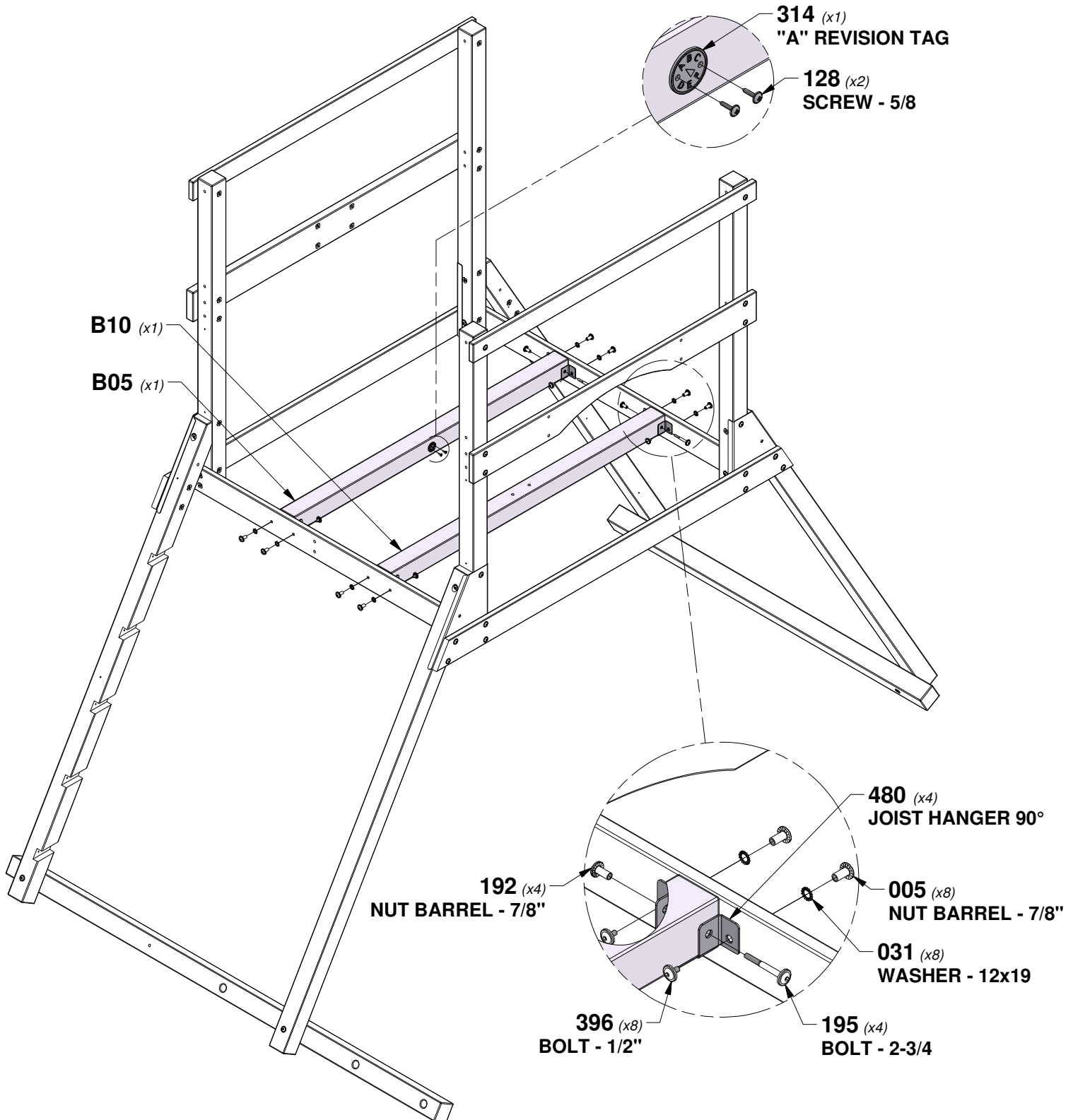
**B10** | FLOOR JOIST - W4L15741  
(x1) | 3"x3"x57 1/4" (76x76x1453)



**A100314** | "A" REVISION TAG  
(x1)



**A4M01480** | JOIST HANGER  
(x4) | 90°



# STEP 10 - FORT ASSEMBLY

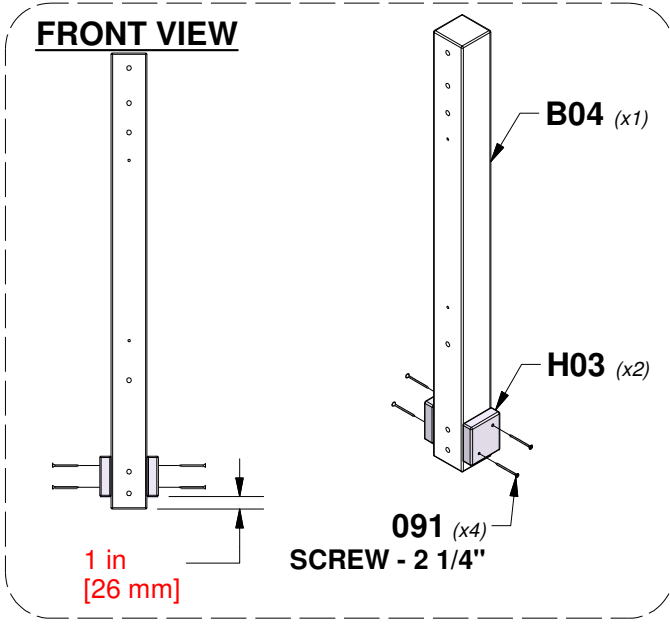
QTY	PART NUMBER	DESCRIPTION
2	H100019	BOLT WH 5/16x3 3/4
2	H100030	WASHER LOCK EXT 8x19
2	H100074	T-NUT 5/16
4	H100091	SCREW PFH 8x2 1/4



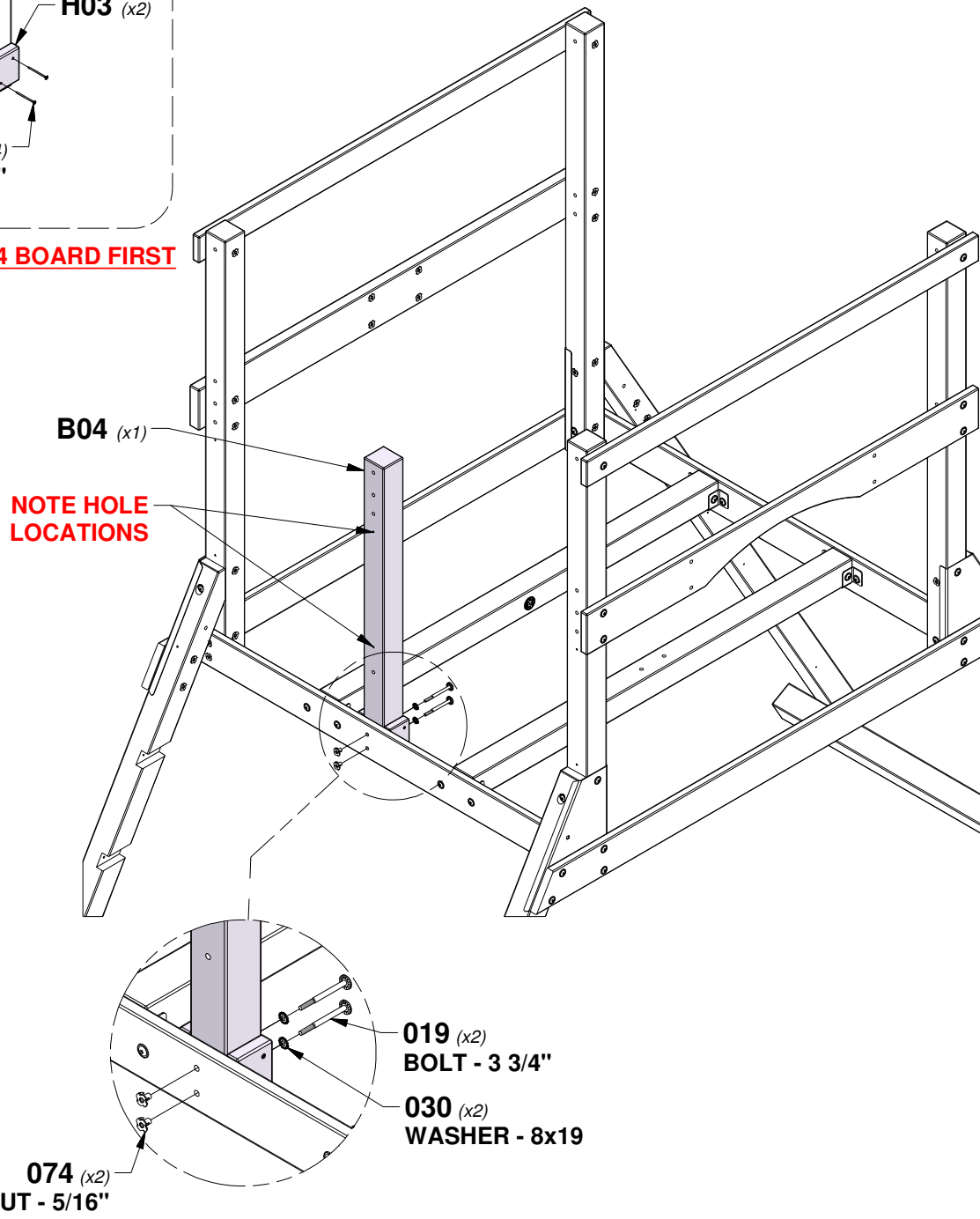
**B04 | UPRIGHT - W4L15722**  
(x1) | 3"x3"x38" (76x76x964)



**H03 | FLOOR RAIL - W4L15736**  
(x2) | 1"x3"x3 3/8" (24x76x86)



**INSTALL BOTH H03 BOARDS TO B04 BOARD FIRST**

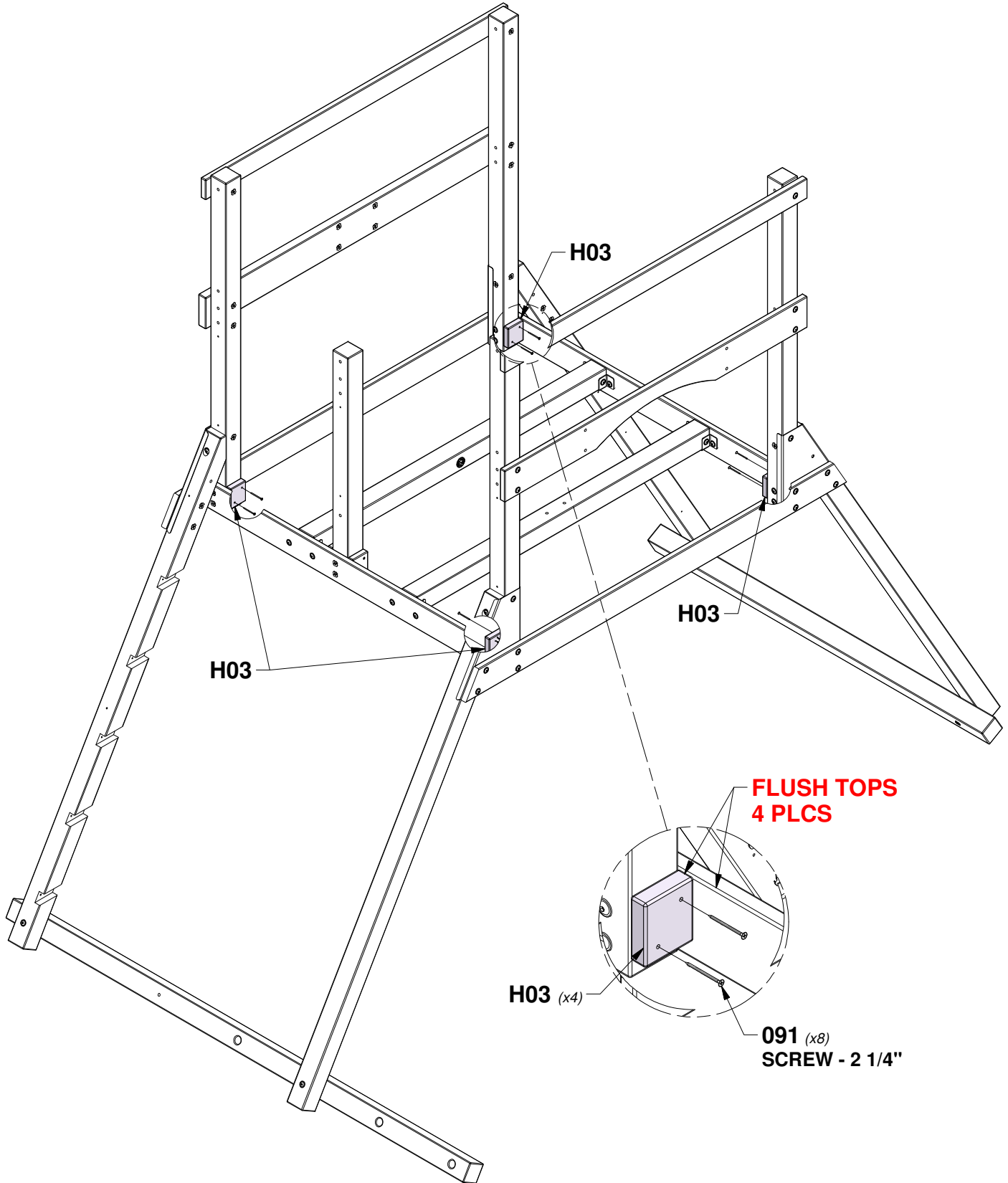


# STEP 11 - FORT ASSEMBLY

QTY	PART NUMBER	DESCRIPTION
8	H100091	SCREW PFH 8x2 1/4



**H03 FLOOR RAIL - W4L15736**  
(x4) 1"x3"x3 3/8" (24x76x86)



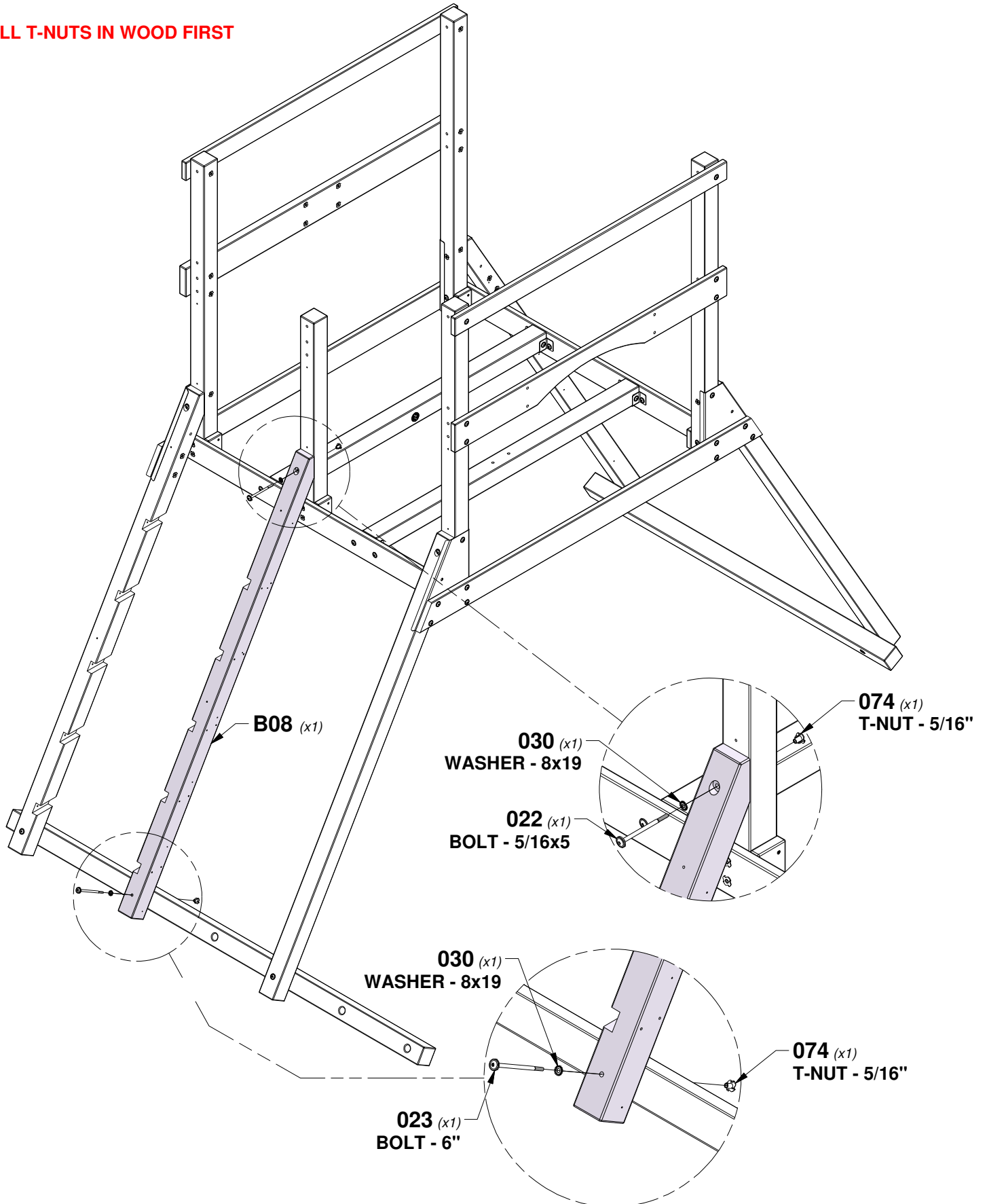
# STEP 12 - FORT ASSEMBLY



**B08 | LEG - W4L15739**  
(x1) | 3"x3"x77 3/4" (76x76x1975)

QTY	PART NUMBER	DESCRIPTION
1	H100022	BOLT WH 5/16x5
1	H100023	BOLT WH 5/16X6
2	H100030	WASHER LOCK EXT 8x19
2	H100074	T-NUT 5/16

**TIP:**  
**INSTALL T-NUTS IN WOOD FIRST**



# STEP 13 - FORT ASSEMBLY

QTY	PART NUMBER	DESCRIPTION
20	H100092	SCREW PFH 8x3

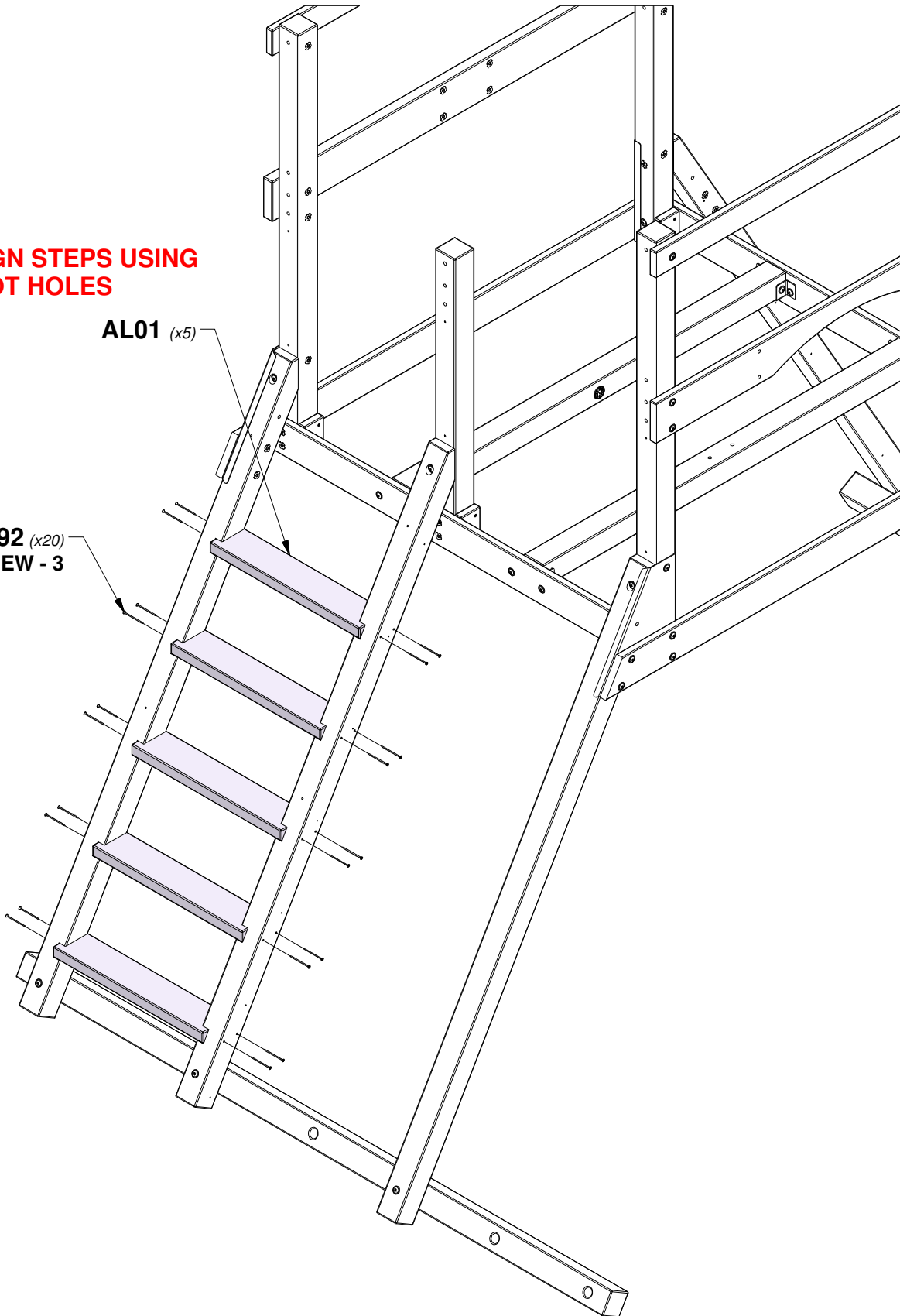


**AL01** | STEP - W4L15737  
(x5) | 1 3/8"x4 3/8"x22 3/4" (36x112x579)

**ALIGN STEPS USING  
PILOT HOLES**

**AL01** (x5)

**092** (x20)  
**SCREW - 3**

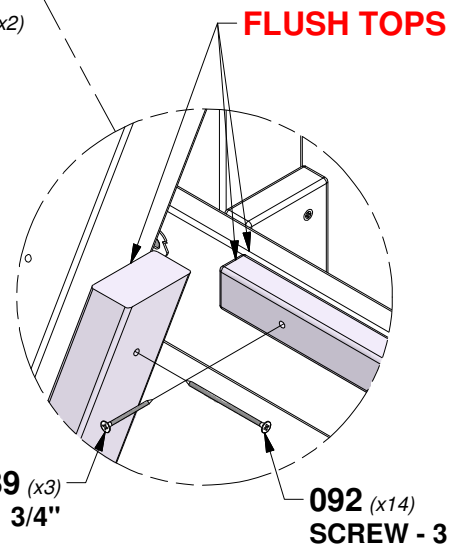
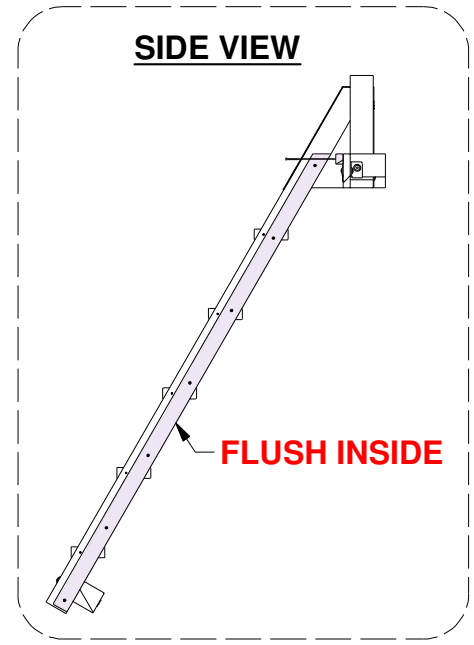
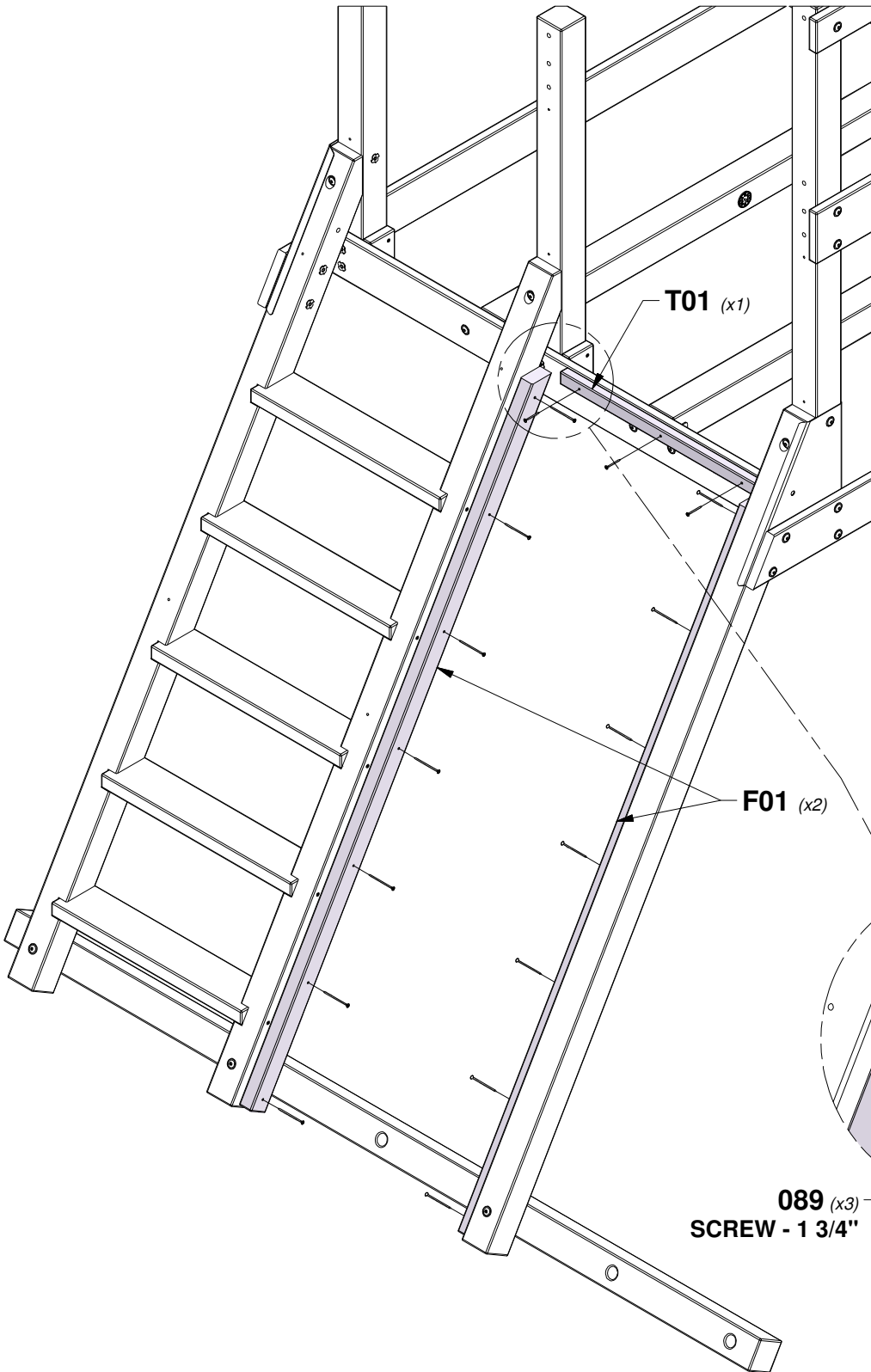


# STEP 14 - FORT ASSEMBLY

QTY	PART NUMBER	DESCRIPTION
3	H100089	SCREW PFH 8x1-3/4"
14	H100092	SCREW PFH 8x3

**T01** | CLEAT - W4L15748  
(x1) | 1"x1 3/8"x24 1/4" (24x34x615)

**F01** | CLEAT - W4L15746  
(x2) | 1 3/8"x2"x68 3/4" (36x52x1747)



# STEP 15A - FORT ASSEMBLY

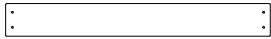
QTY	PART NUMBER	DESCRIPTION
40	H100086	SCREW PFH 8x1-1/2"
40	H100111	SCREW PFH 8x2



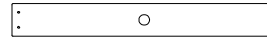
**H04** ROPE WALL BOARD - W4L15744  
(x9) 1"x3 3/8"x27 5/8" (24x86x701)



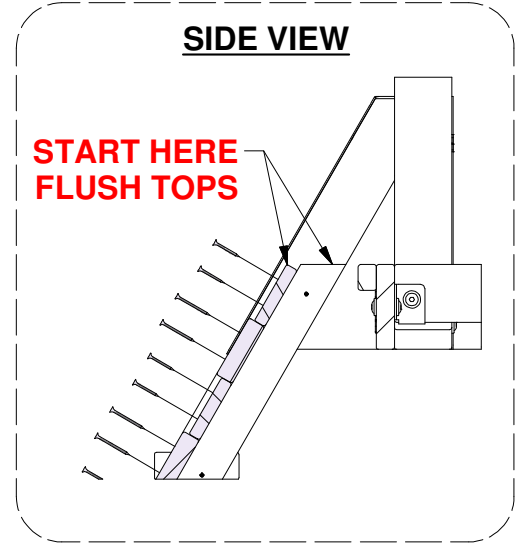
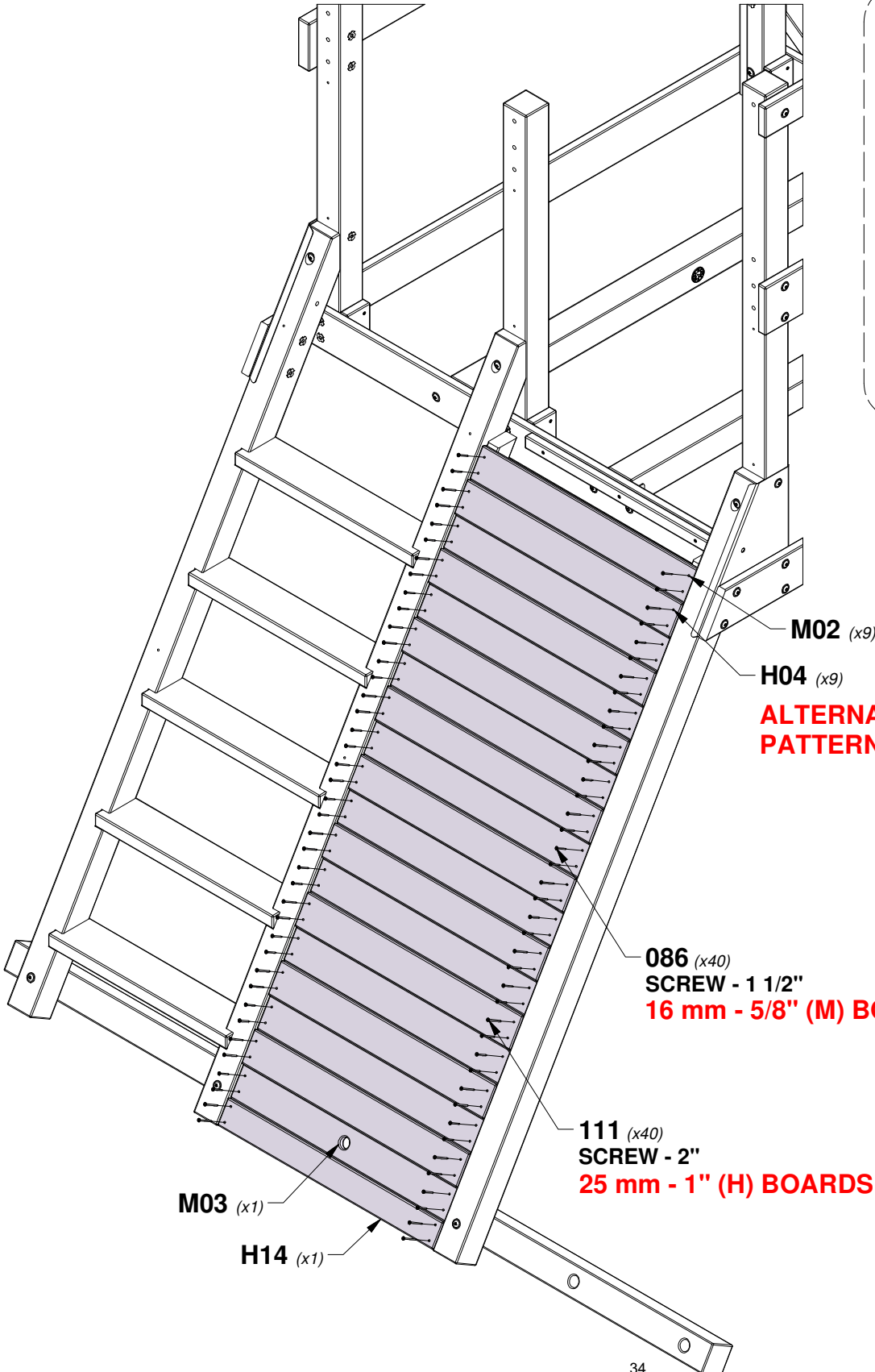
**H14** ROPE WALL BOARD - W4L16119  
(x1) 1"x2 3/4"x27 5/8" (24x69x701)



**M02** ROPE WALL BOARD - W4L15742  
(x9) 5/8"x3 3/8"x27 5/8" (16x86x701)



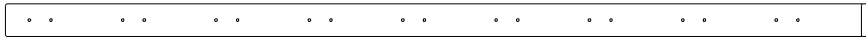
**M03** ROPE WALL BOARD - W4L15981  
(x1) 5/8"x3 3/8"x27 5/8" (16x86x701)



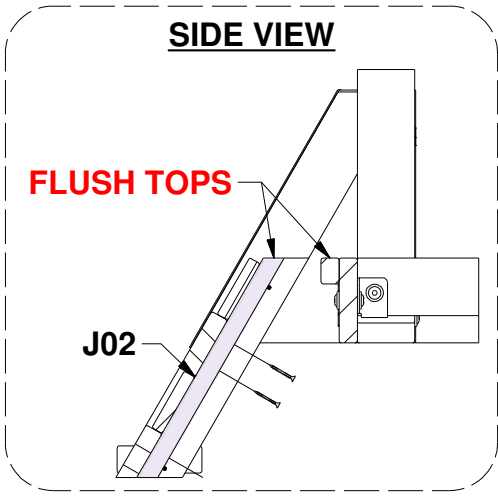
**ALTERNATE (M02) & (H04)  
PATTERN AS YOU GO DOWN**

# STEP 15B - FORT ASSEMBLY

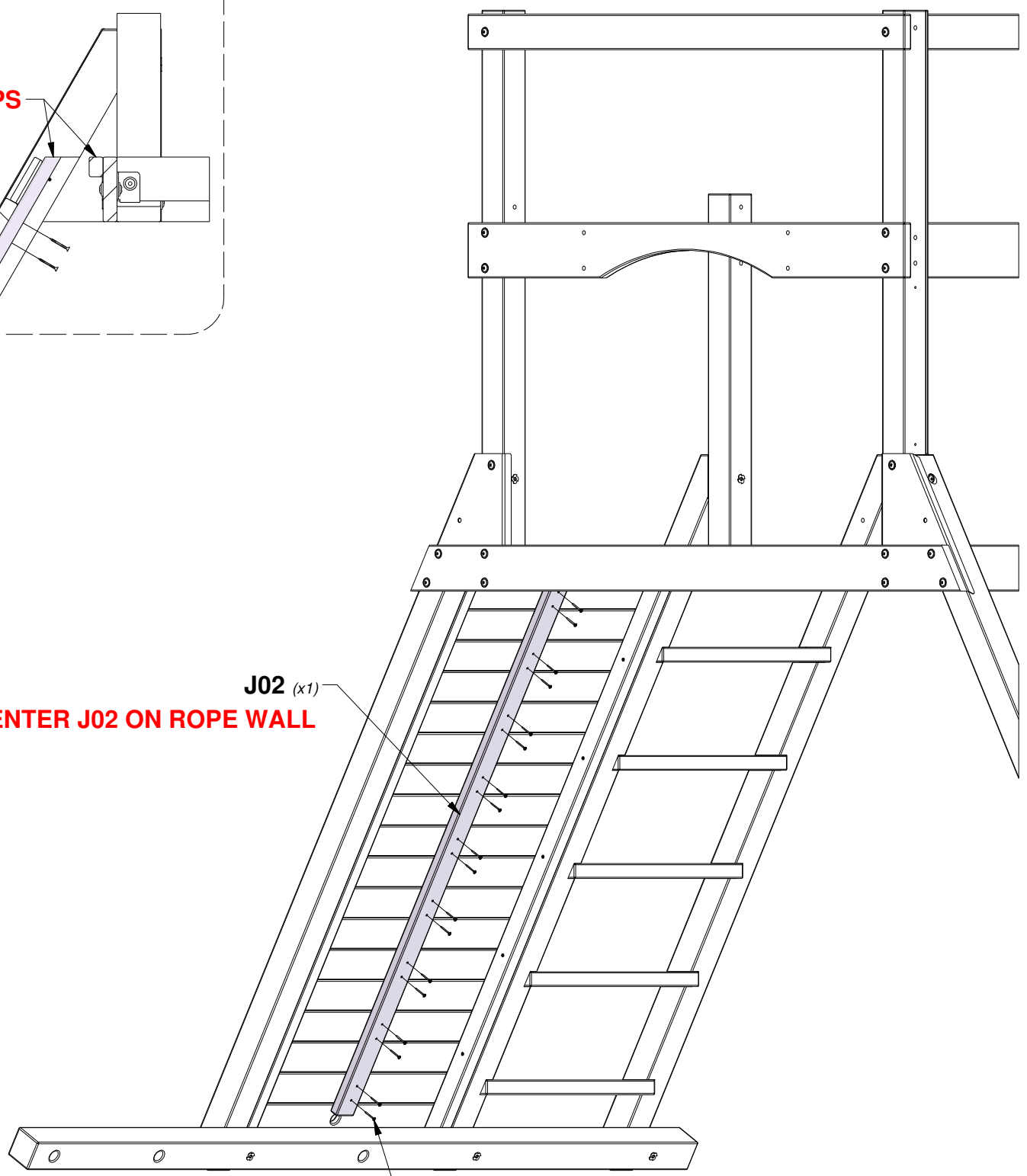
QTY	PART NUMBER	DESCRIPTION
18	H100086	SCREW PFH 8x1-1/2"



**J02** | ROPE WALL CLEAT - W4L16469  
 (x1) | 1"x2 3/8"x63" (24x60x1600)



**J02 (x1)**  
**CENTER J02 ON ROPE WALL**



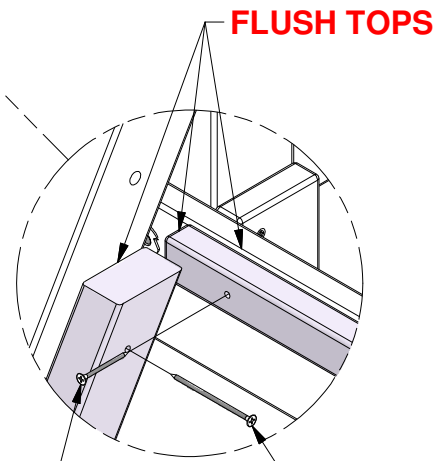
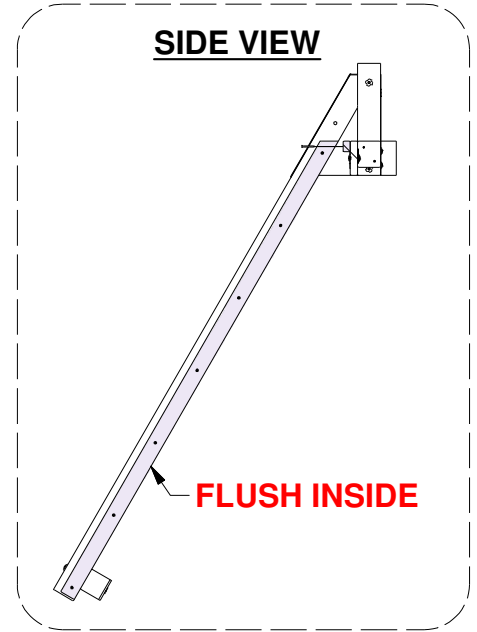
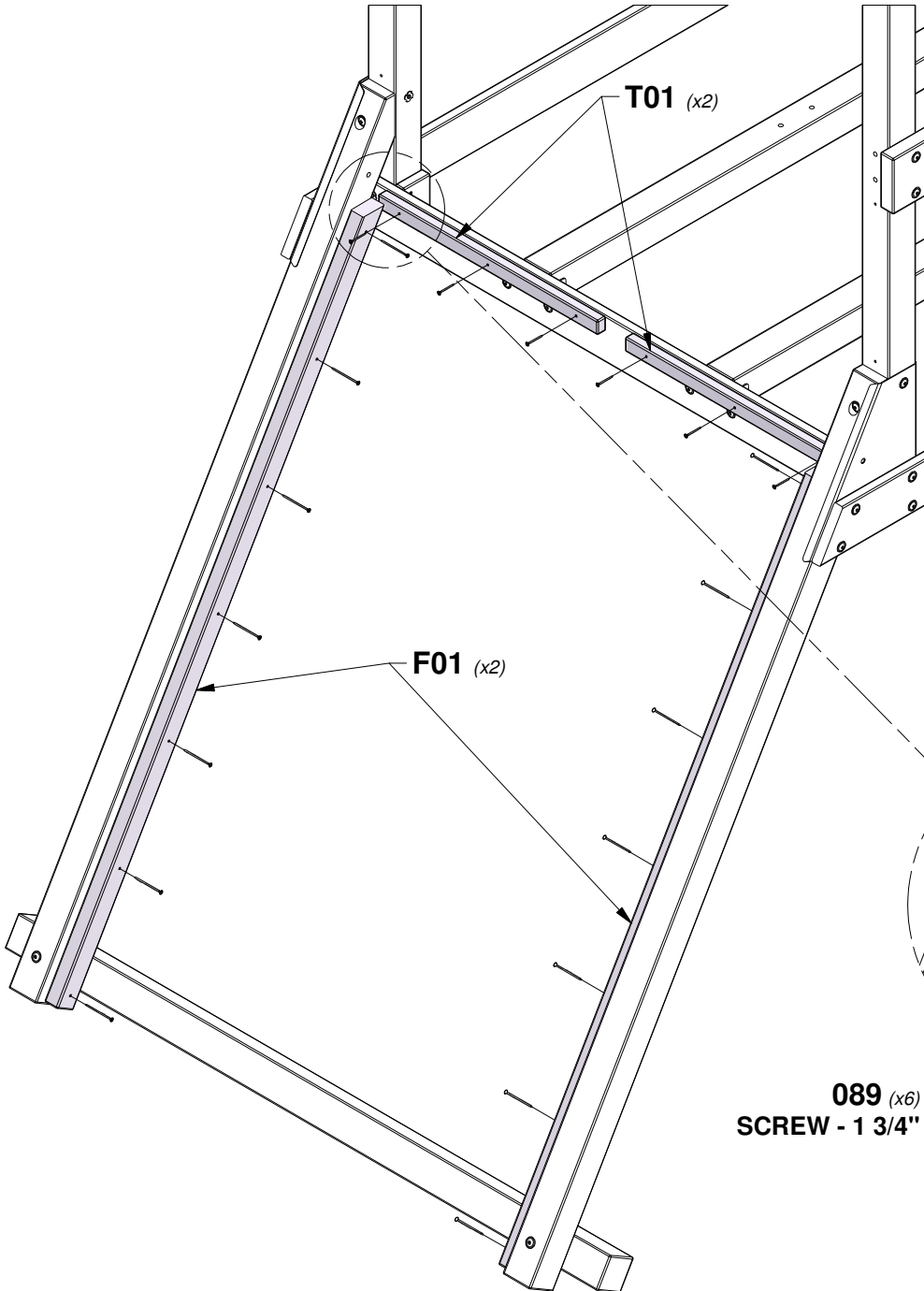
**086 (x18)**  
**SCREW - 1 1/2"**

# STEP 16 - FORT ASSEMBLY

QTY	PART NUMBER	DESCRIPTION
6	H100089	SCREW PFH 8x1-3/4"
14	H100092	SCREW PFH 8x3

**T01** | CLEAT - W4L15748  
(x2) | 1"x1 3/8"x24 1/4" (24x34x615)

**F01** | CLEAT - W4L15746  
(x2) | 1 3/8"x2"x68 3/4" (36x52x1747)

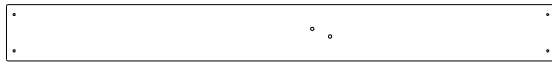


**089** (x6)  
SCREW - 1 3/4"

**092** (x14)  
SCREW - 3

# STEP 17A - FORT ASSEMBLY

QTY	PART NUMBER	DESCRIPTION
34	H100072	T-NUT 1/4
34	H100108	WASHER LOCK INT 8x15
34	H100137	BOLT WH 1/4x1



**G05 | ROCK WALL BOARD - W4L15974**  
(x5) | 1"x5 1/4"x51 1/2" (24x134x1307)



**G06 | ROCK WALL BOARD - W4L15975**  
(x6) | 1"x5 1/4"x51 1/2" (24x134x1307)

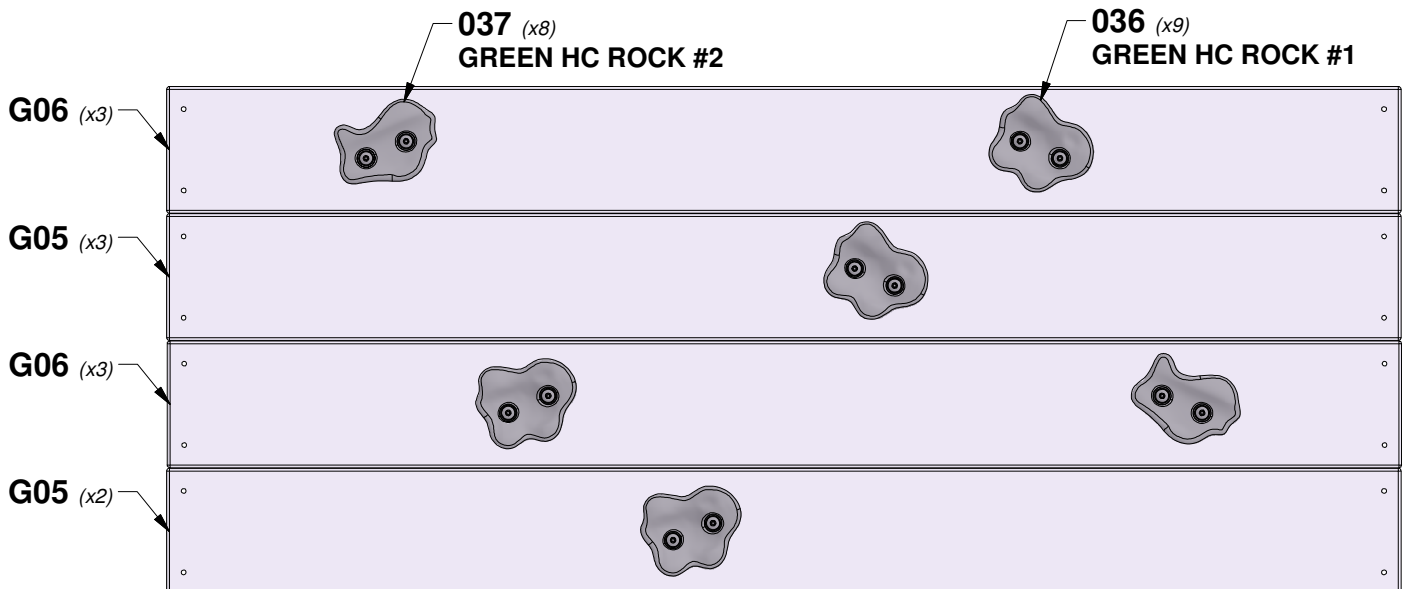
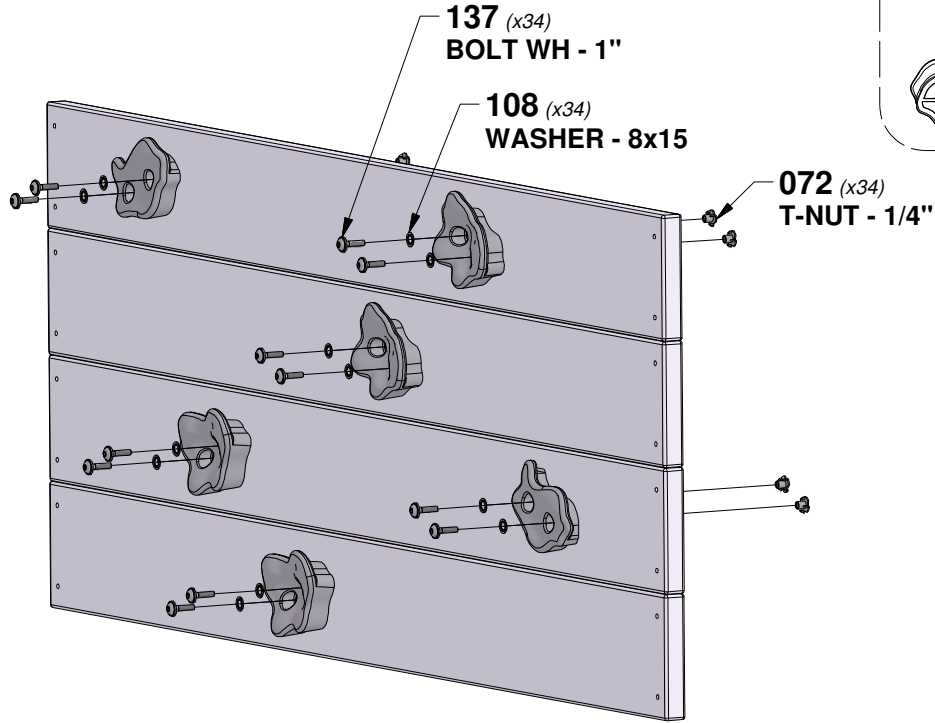
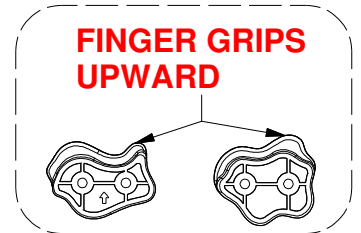


**A6P00037 | GREEN HC ROCK #2**  
(x8)



**A6P00036 | GREEN HC ROCK #1**  
(x9)

**TIP:**  
INSTALL T-NUTS IN WOOD FIRST



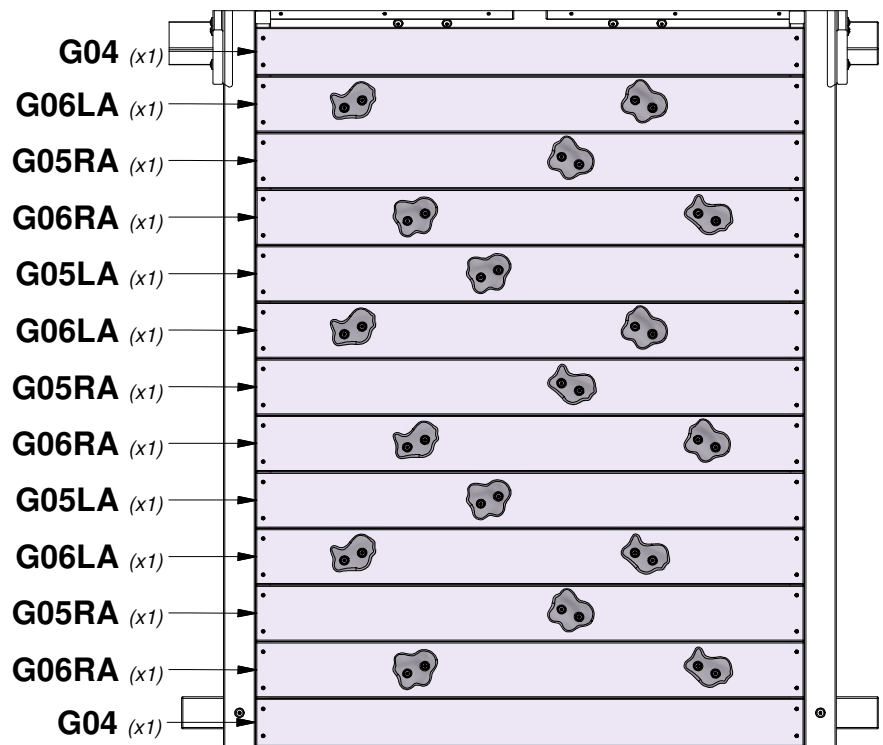
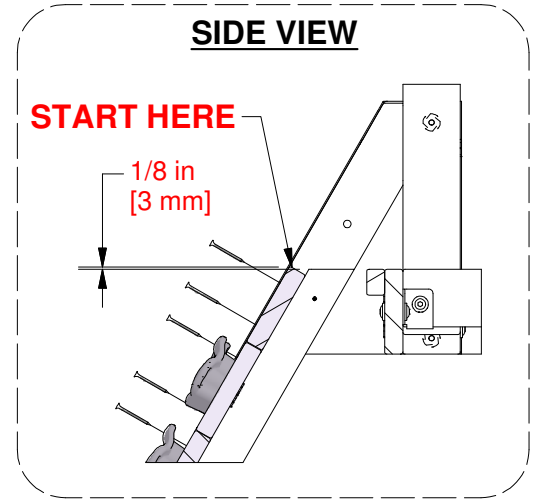
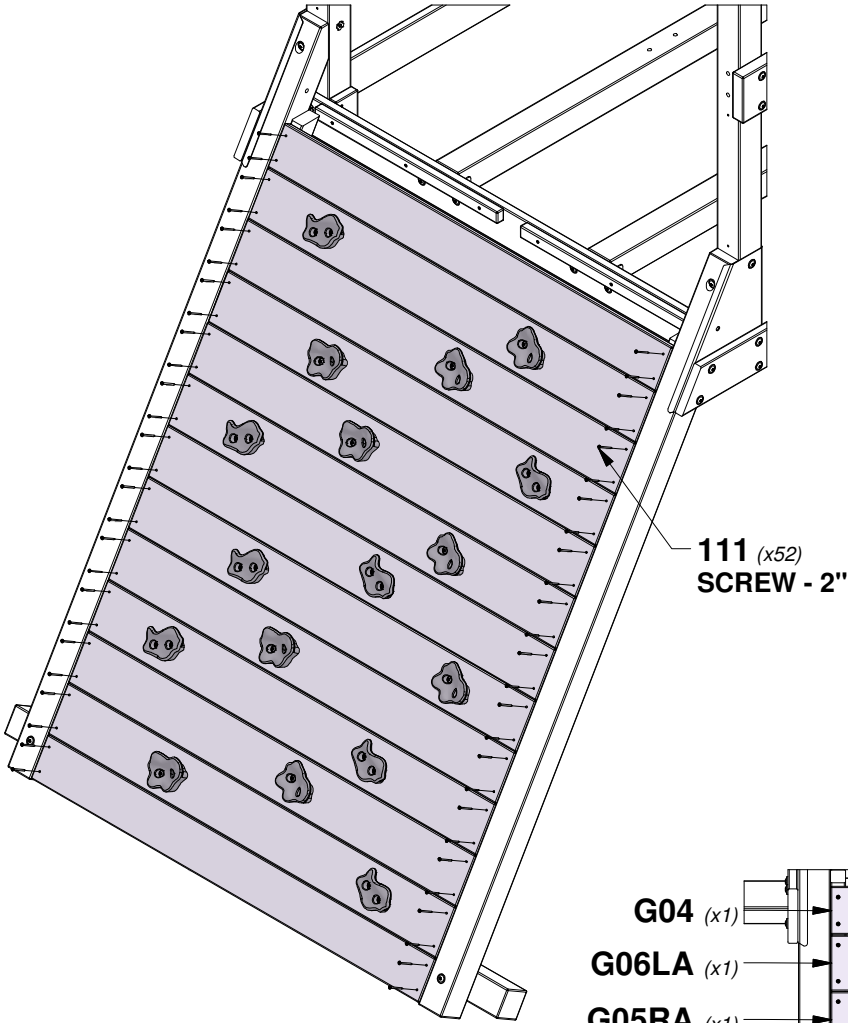
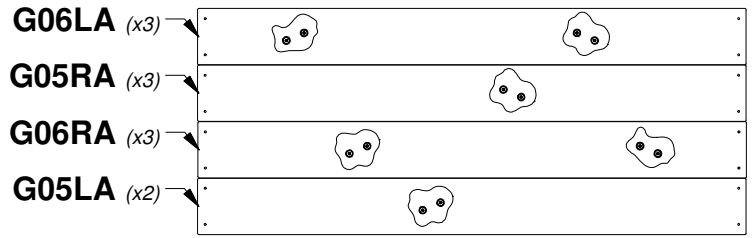
**PLACE ROCKS RANDOMLY**

# STEP 17B - FORT ASSEMBLY

QTY	PART NUMBER	DESCRIPTION
52	H100111	SCREW PFH 8x2"

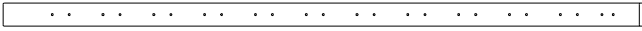


**G04** | ROCK WALL BOARD - W4L15749  
(x2) | 1"x4 1/2"x51 1/2" (24x115x1307)

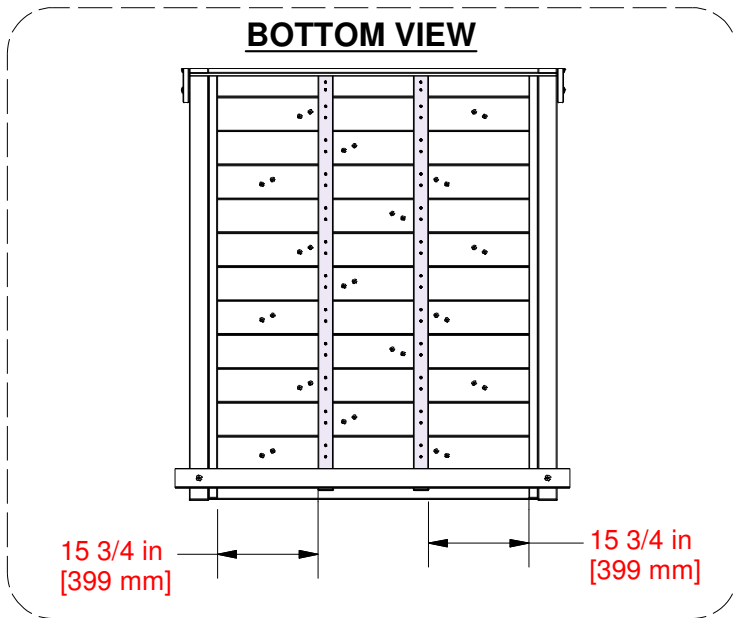
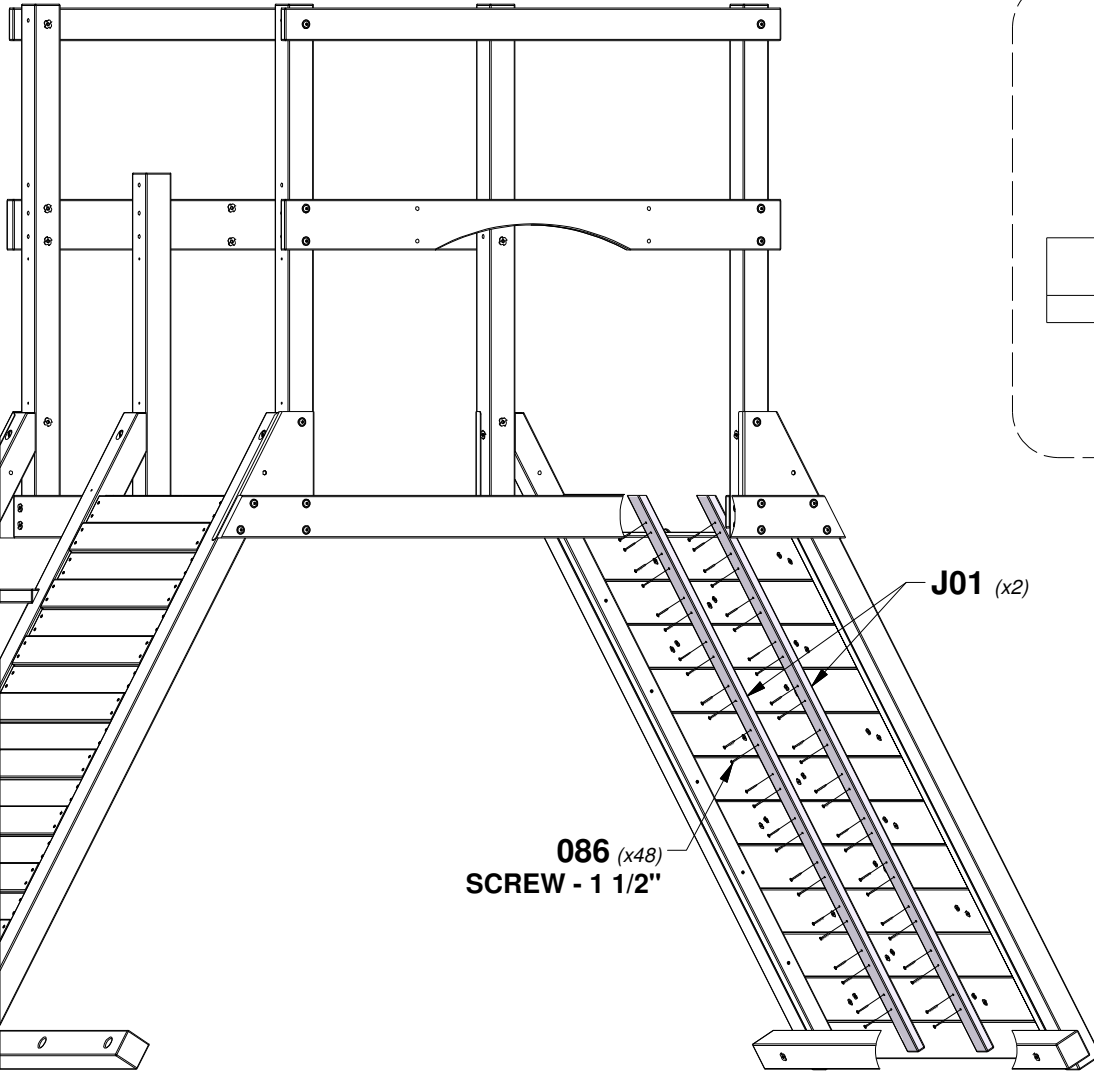
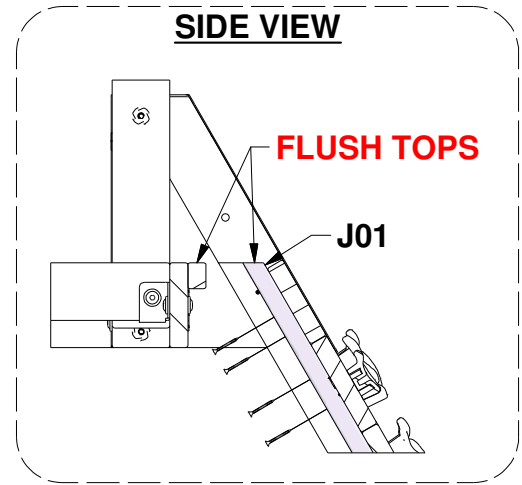


# STEP 18 - FORT ASSEMBLY

QTY	PART NUMBER	DESCRIPTION
48	H100086	SCREW PFH 8x1-1/2"



**J01** | ROCK WALL CLEAT - W4L15977  
 (x2) | 1"x2 3/8"x66 7/8" (24x60x1698)



# STEP 19A - FORT ASSEMBLY

QTY	PART NUMBER	DESCRIPTION
2	H100074	T-NUT 5/16



**M01** | FLOOR BOARD - W4L15743  
(x12) | 5/8"x3 3/8"x59 1/2" (16x86x1511)



**Y01** | FLOOR BOARD - W4L15738  
(x1) | 5/8"x4"x20 7/8" (16x102x529)

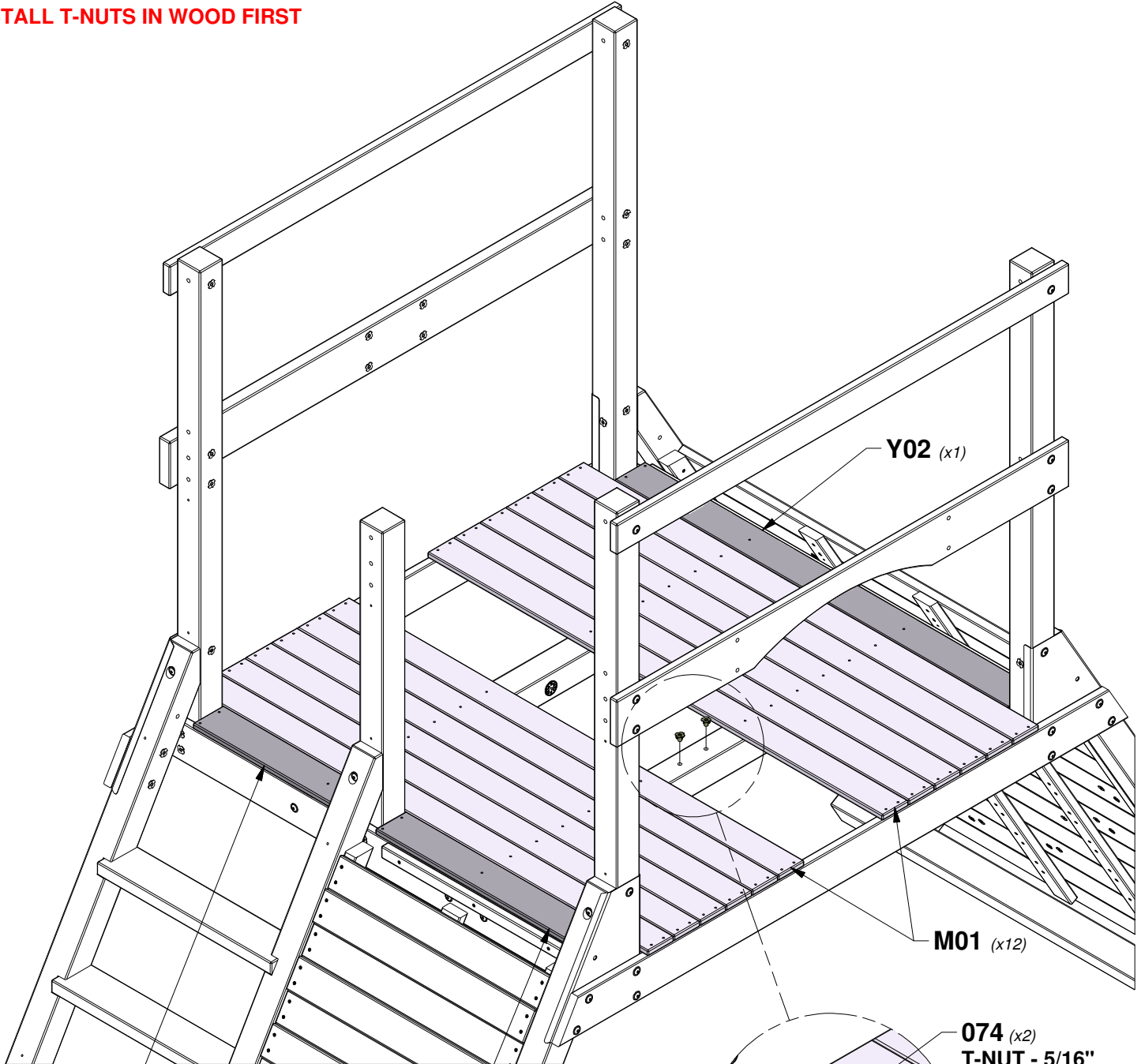


**Y03** | FLOOR BOARD - W4L16468  
(x1) | 5/8"x4"x27 5/8" (16x102x701)



**Y02** | FLOOR BOARD - W4L15745  
(x1) | 5/8"x4"x51 1/2" (16x102x1307)

**TIP:**  
INSTALL T-NUTS IN WOOD FIRST



**Y02** (x1)

**M01** (x12)

**074** (x2)  
T-NUT - 5/16"

**Y01** (x1)

**Y03** (x1)

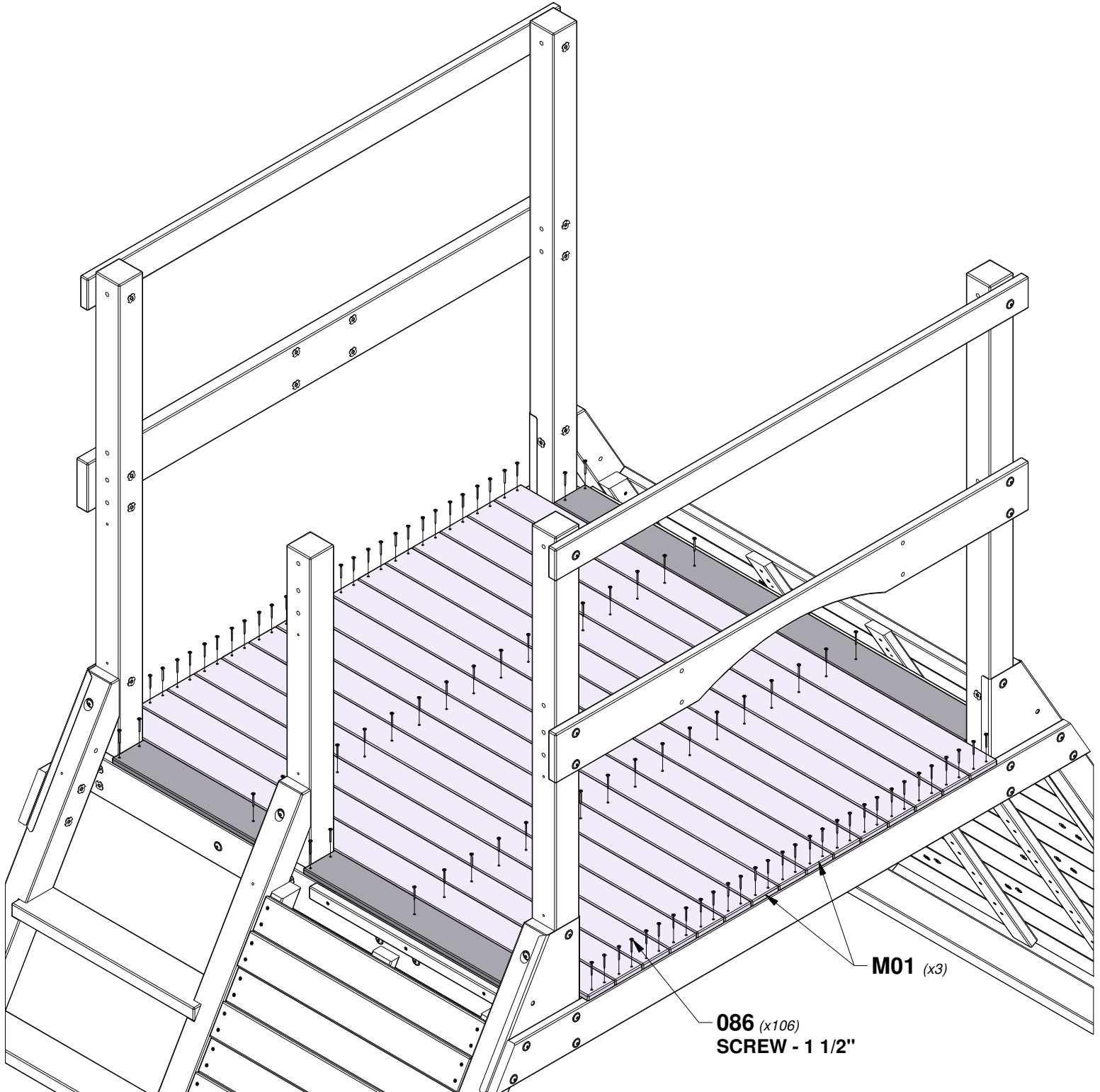
**DO NOT FASTEN DOWN  
FLOOR BOARDS AT THIS TIME.**

# STEP 19B - FORT ASSEMBLY

QTY	PART NUMBER	DESCRIPTION
106	H100086	SCREW PFH 8x1-1/2"



**M01** FLOOR BOARD - W4L15743  
(x3) 5/8"x3 3/8"x59 1/2" (16x86x1511)



# STEP 20 - FORT ASSEMBLY

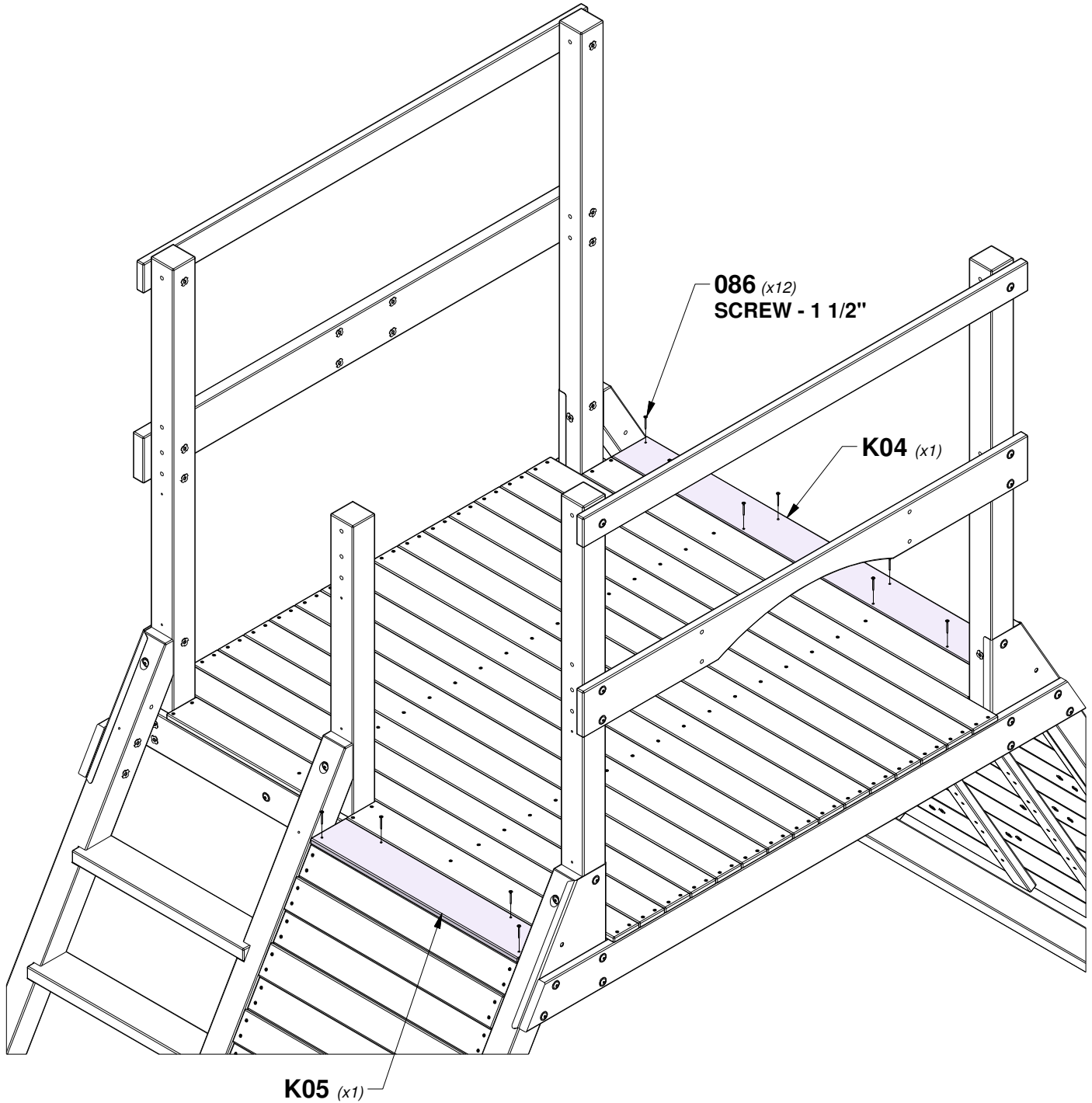
QTY	PART NUMBER	DESCRIPTION
12	H100086	SCREW PFH 8x1-1/2"



**K04 | FLOOR BOARD - W4L15978**  
(x1) | 5/8"x4 3/4"x51 1/2" (16x120x1307)



**K05 | FLOOR BOARD - W4L15979**  
(x1) | 5/8"x4 3/4"x27 5/8" (16x120x701)

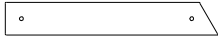


# STEP 21 - FORT ASSEMBLY

QTY	PART NUMBER	DESCRIPTION
4	H100019	BOLT WH 5/16x3 3/4
4	H100030	WASHER LOCK EXT 8x19
4	H100074	T-NUT 5/16

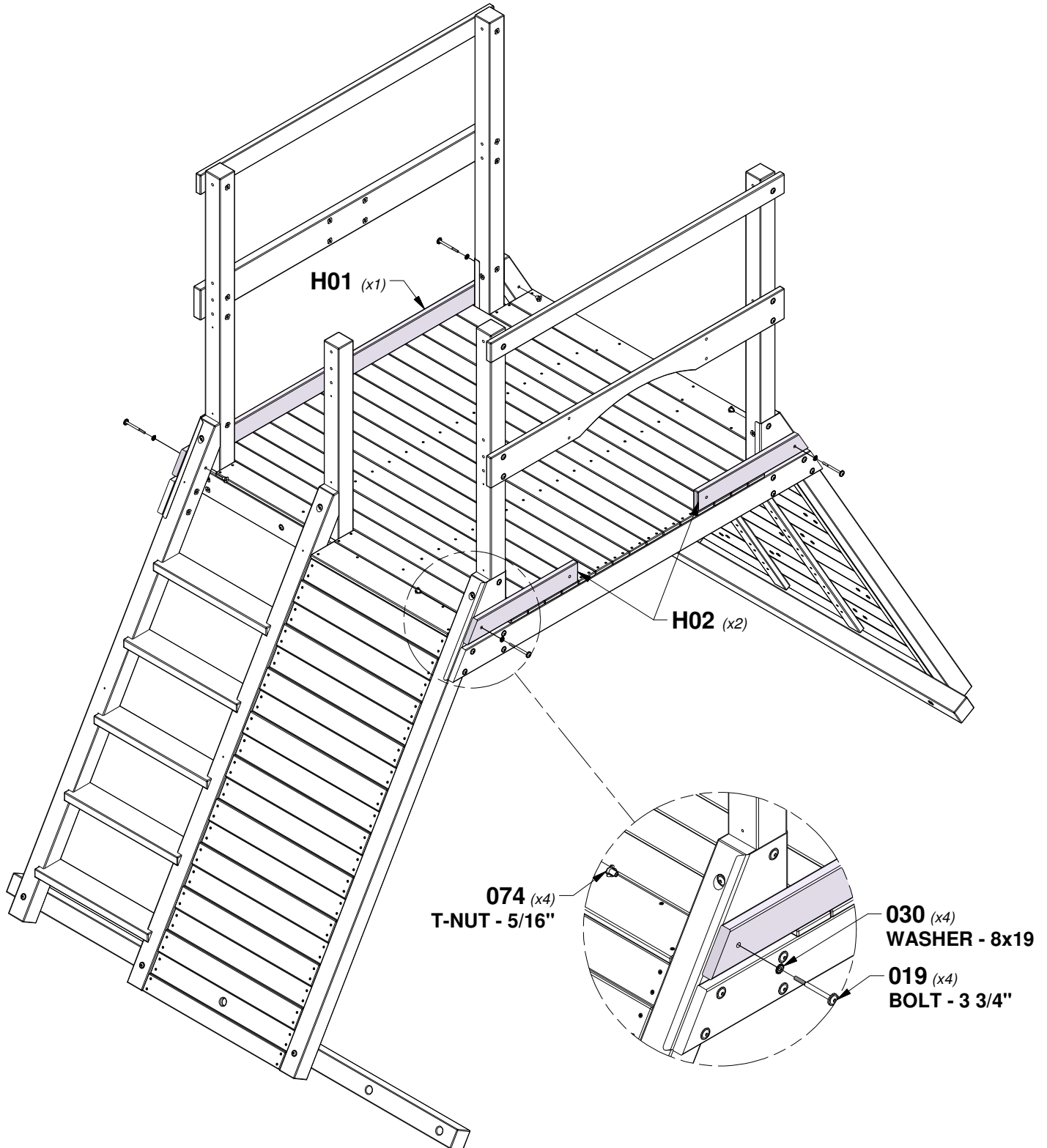


**H01** | FLOOR RAIL - W4L15734  
(x1) | 1"x3 3/8"x68 1/2" (24x86x1741)



**H02** | FLOOR RAIL - W4L15735  
(x2) | 1"x3 3/8"x22 1/8" (24x86x564)

**TIP:**  
INSTALL T-NUTS IN WOOD FIRST



# STEP 22 - FORT ASSEMBLY



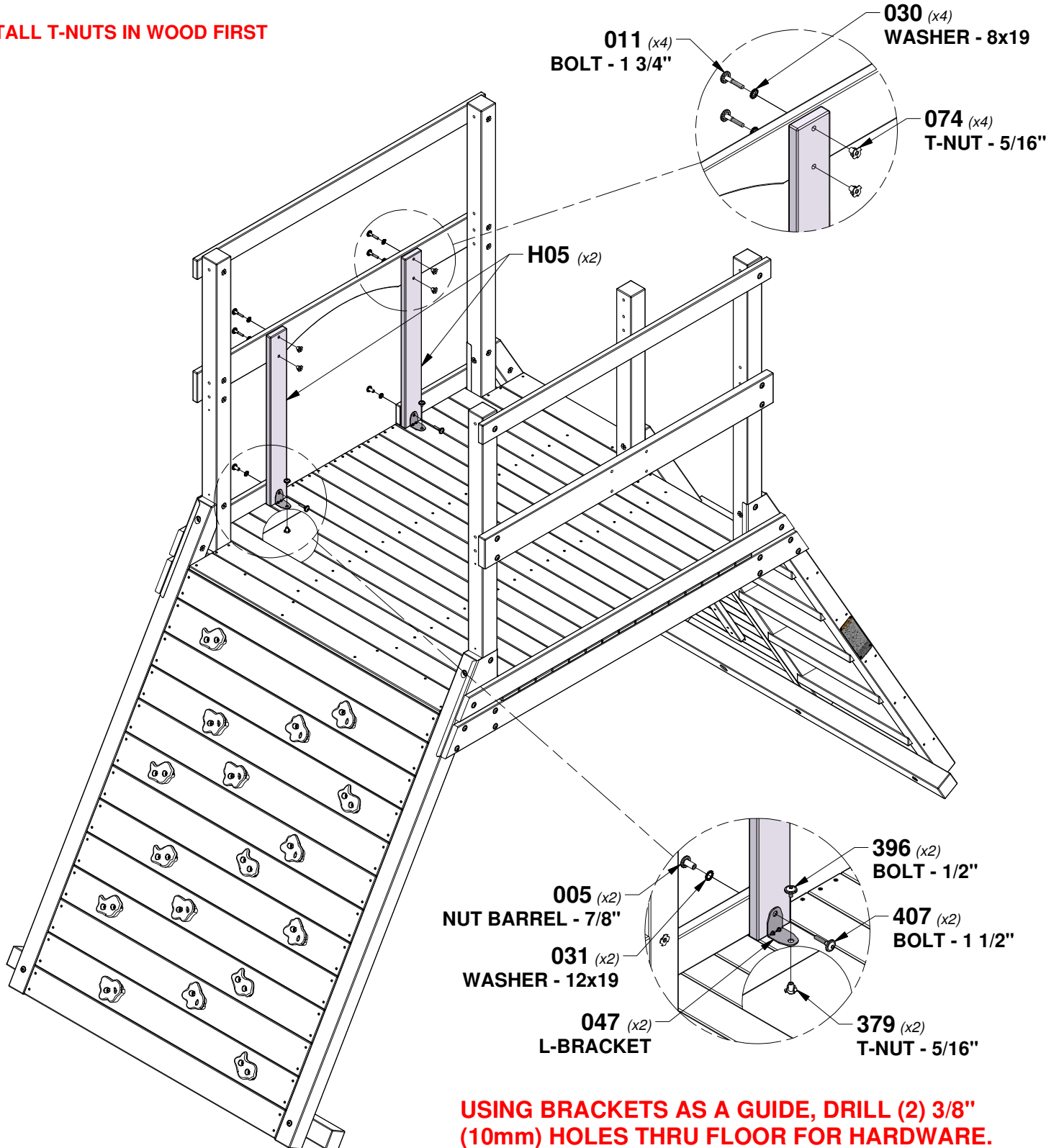
**H05** | WALL RAIL - W4L15980  
(x2) | 1"x3 3/8"x29 7/8" (24x86x760)



**A4M01047** | L BRACKET  
(x2) | 2.5x38x55x55

QTY	PART NUMBER	DESCRIPTION
2	H100005	NUT BARREL WH 5/16x7/8
4	H100011	BOLT WH 5/16x1 3/4
4	H100030	WASHER LOCK EXT 8x19
2	H100031	WASHER LOCK EXT 12x19
4	H100074	T-NUT 5/16
2	H100379	T-NUT 5/16 BLK
2	H100396	BOLT WH 5/16x1/2 BLK
2	H100407	BOLT WH 5/16x1 1/2 BLK

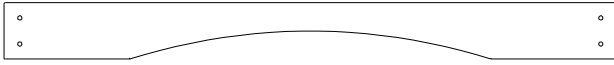
**TIP:**  
INSTALL T-NUTS IN WOOD FIRST



**USING BRACKETS AS A GUIDE, DRILL (2) 3/8" (10mm) HOLES THRU FLOOR FOR HARDWARE.**

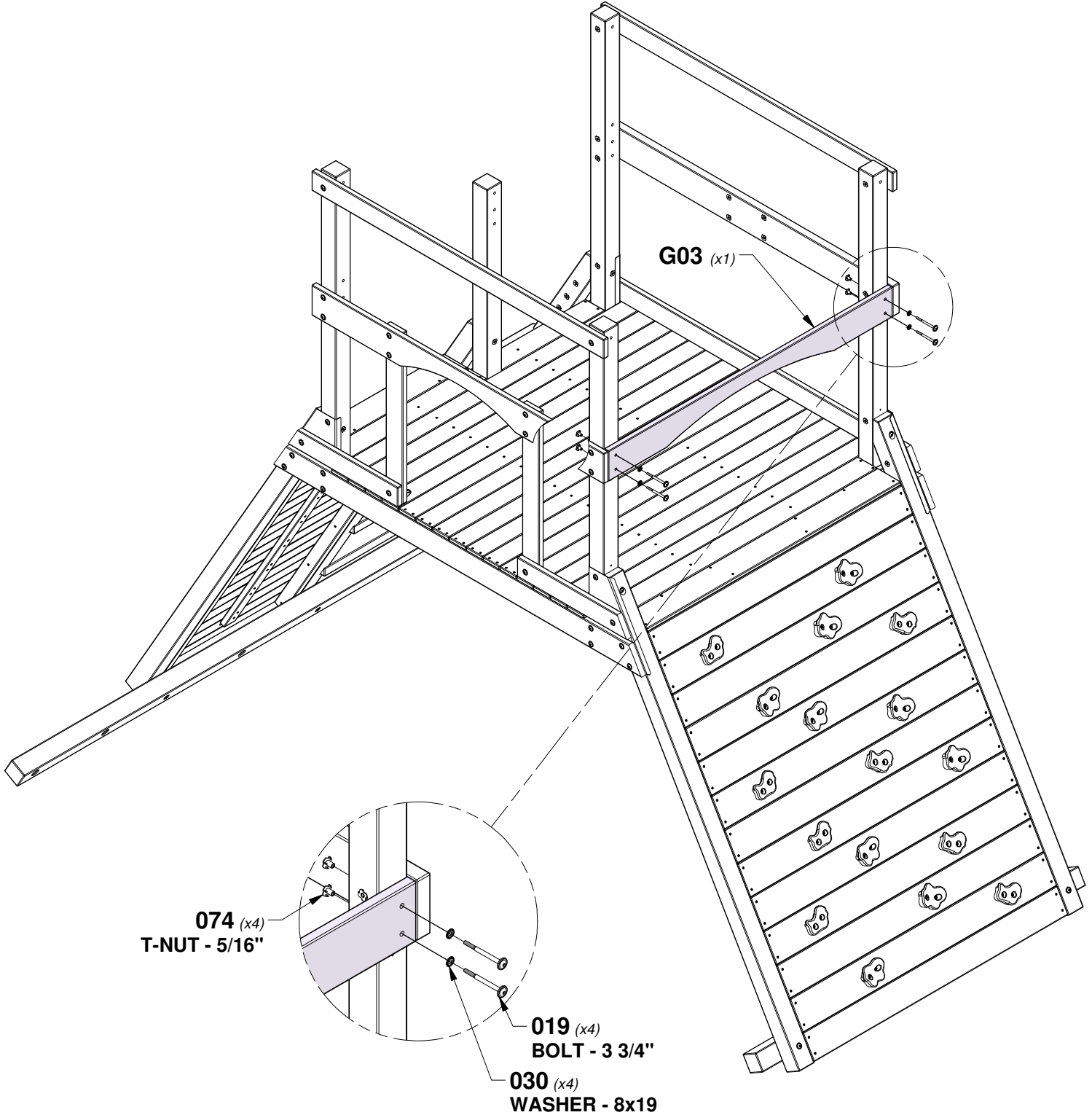
# STEP 23 - FORT ASSEMBLY

QTY	PART NUMBER	DESCRIPTION
4	H100019	BOLT WH 5/16x3 3/4
4	H100030	WASHER LOCK EXT 8x19
4	H100074	T-NUT 5/16



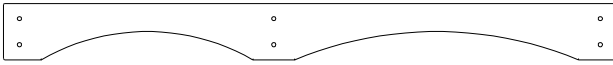
**G03** | WALL RAIL - W4L15727  
(x1) 1"x5 1/4"x57 1/2" (24x134x1460)

**TIP:**  
INSTALL T-NUTS IN WOOD FIRST



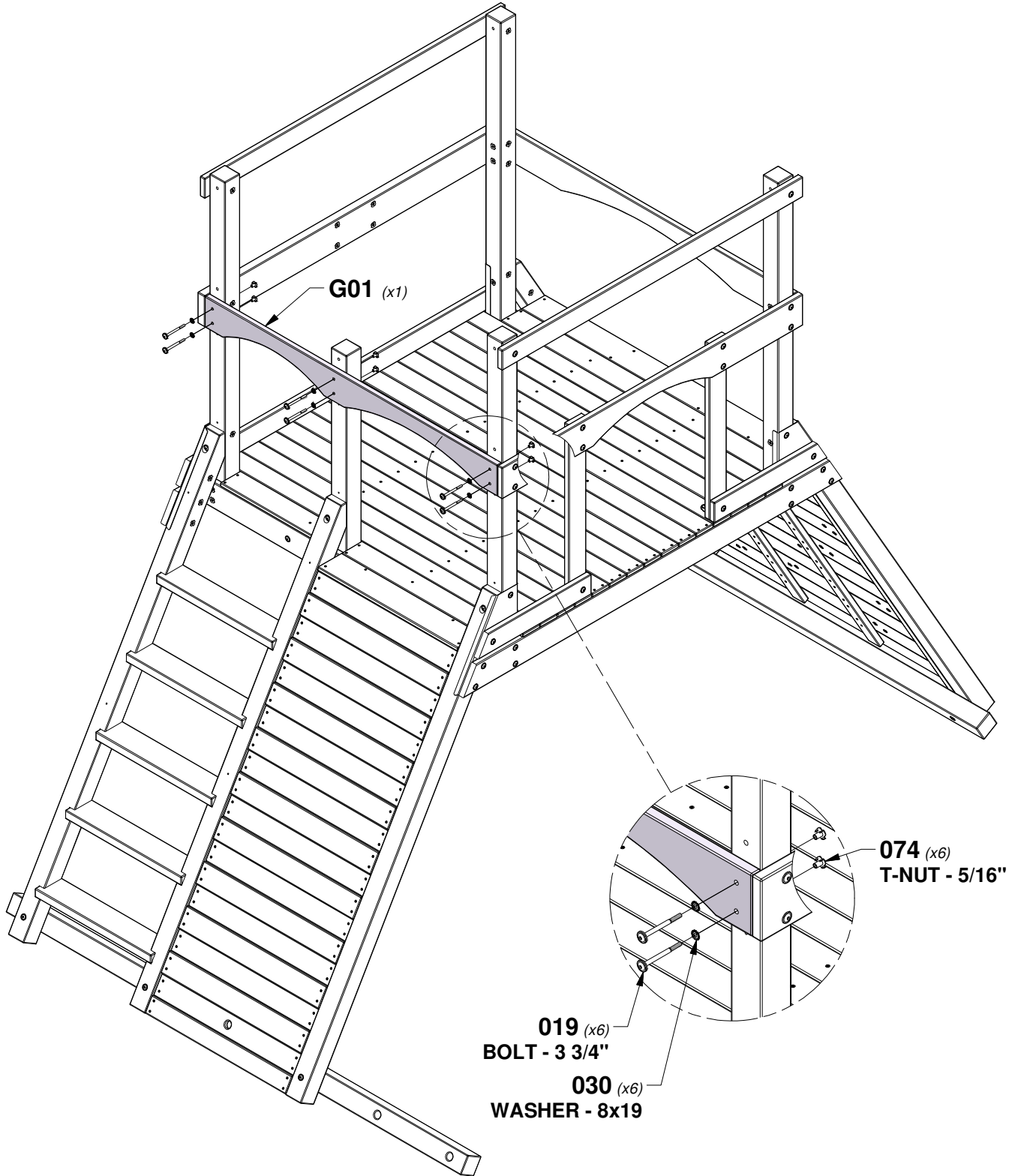
# STEP 24 - FORT ASSEMBLY

QTY	PART NUMBER	DESCRIPTION
6	H100019	BOLT WH 5/16x3 3/4
6	H100030	WASHER LOCK EXT 8x19
6	H100074	T-NUT 5/16



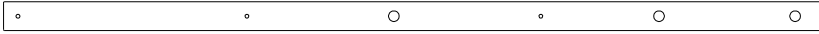
**G01** | WALL RAIL - W4L15725  
(x1) | 1"x5 1/4"x57 1/2" (24x134x1460)

**TIP:**  
INSTALL T-NUTS IN WOOD FIRST



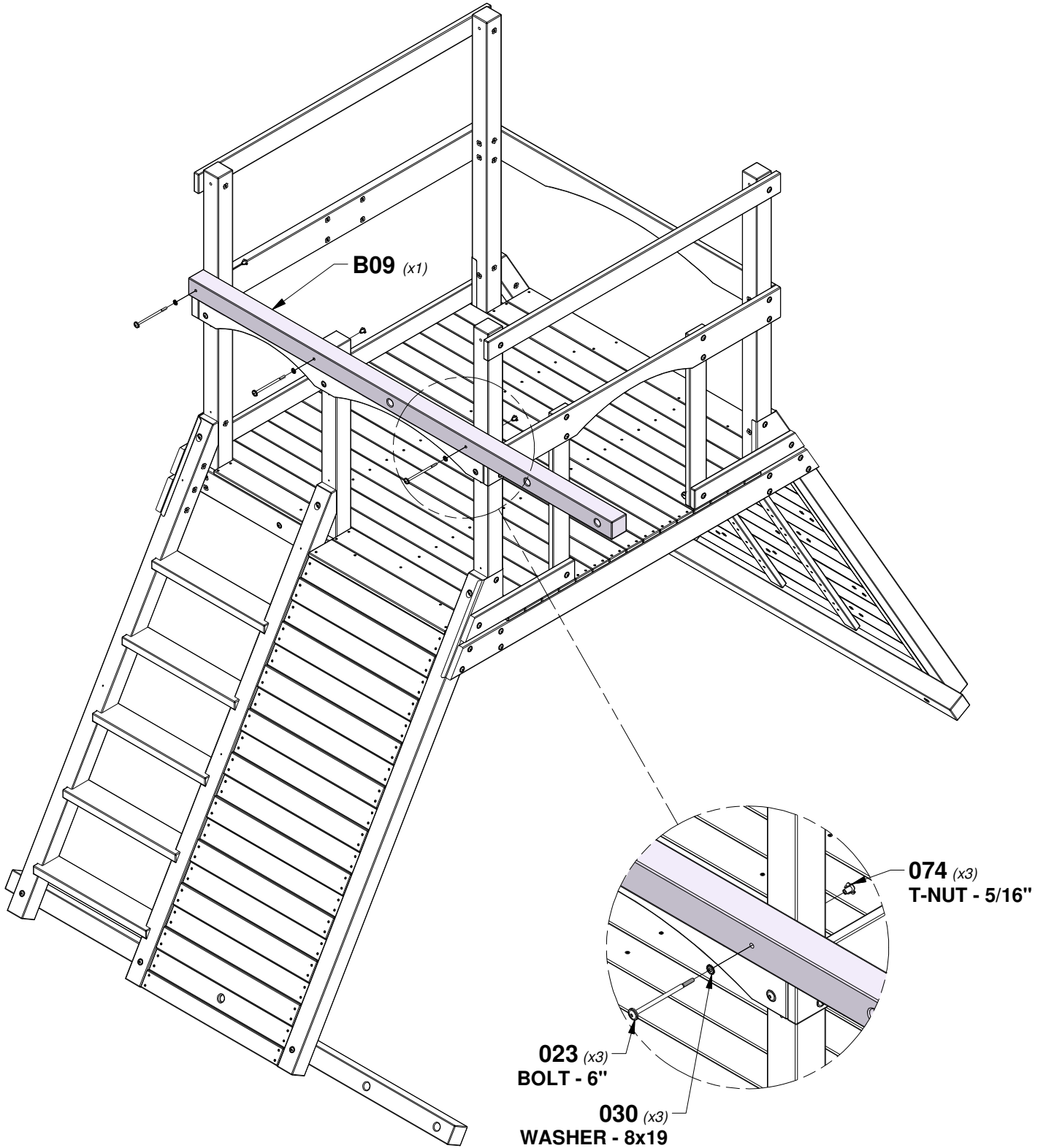
# STEP 25 - FORT ASSEMBLY

QTY	PART NUMBER	DESCRIPTION
3	H100023	BOLT WH 5/16X6
3	H100030	WASHER LOCK EXT 8x19
3	H100074	T-NUT 5/16



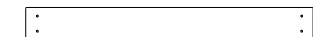
**B09** | ROPE BOARD - W4L15740  
(x1) | 3"x3"x85 3/8" (76x76x2170)

**TIP:**  
INSTALL T-NUTS IN WOOD FIRST

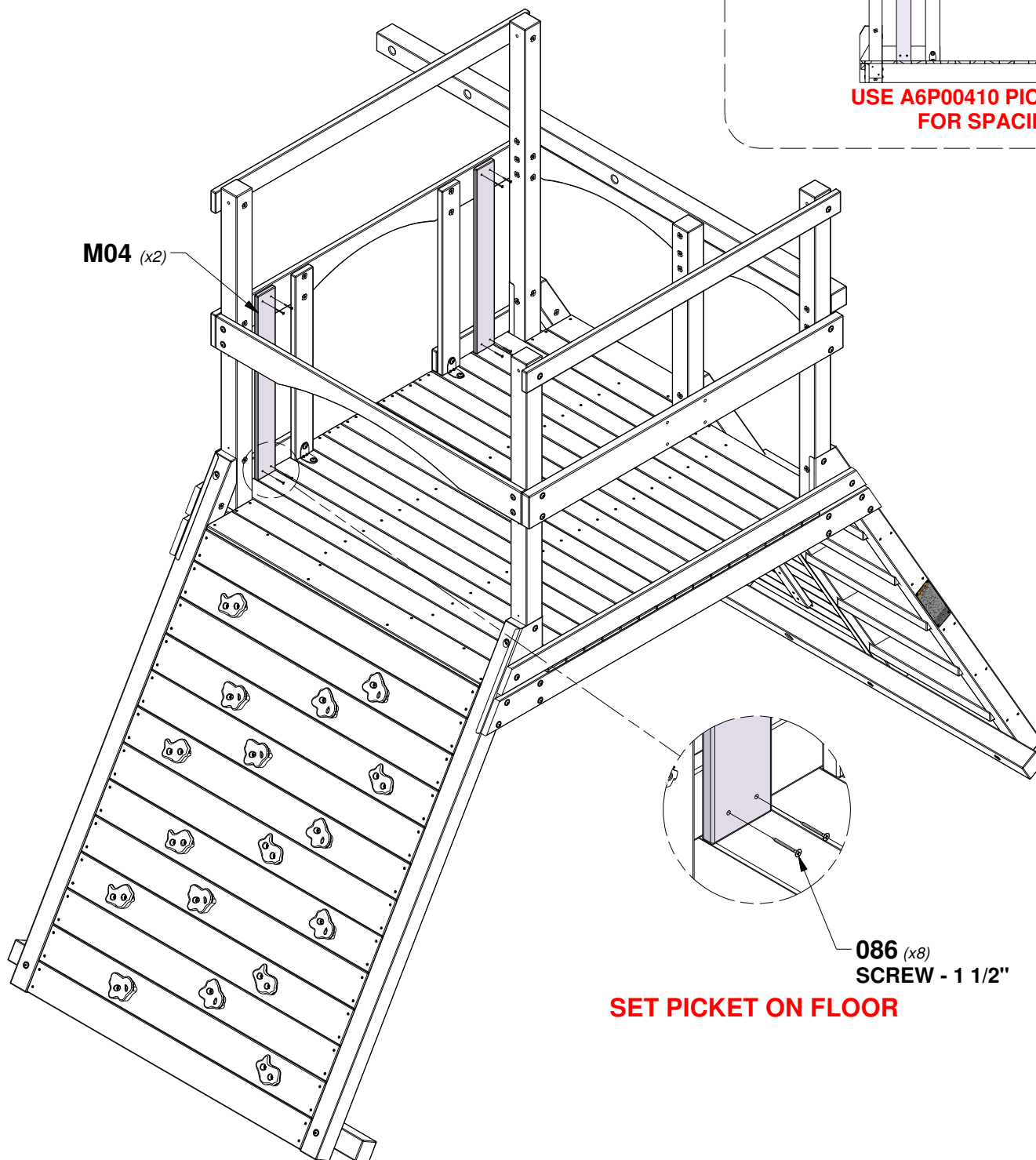
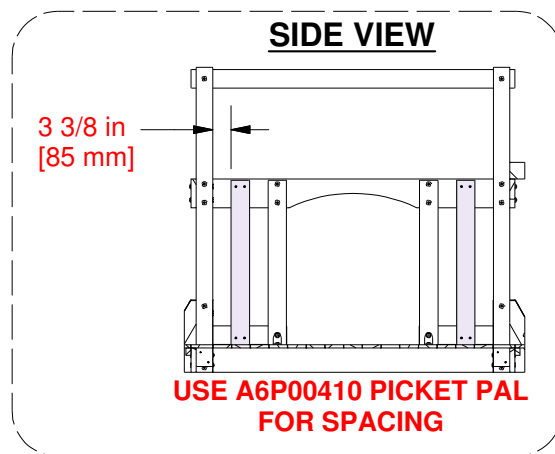


# STEP 26 - FORT ASSEMBLY

QTY	PART NUMBER	DESCRIPTION
8	H100086	SCREW PFH 8x1-1/2"

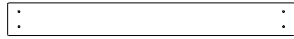


**M04** PICKET - W4L15997  
(x2) 5/8"x3 3/8"x29 7/8" (16x86x760)

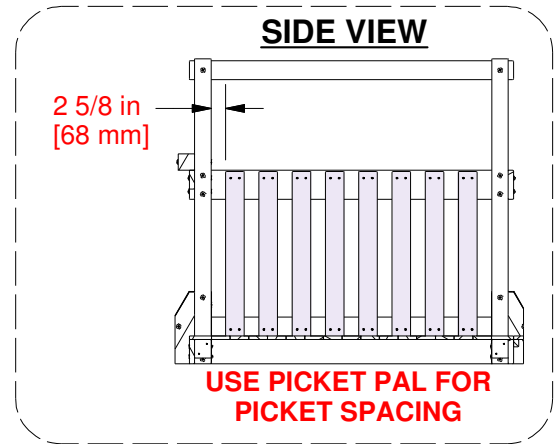


# STEP 27 - FORT ASSEMBLY

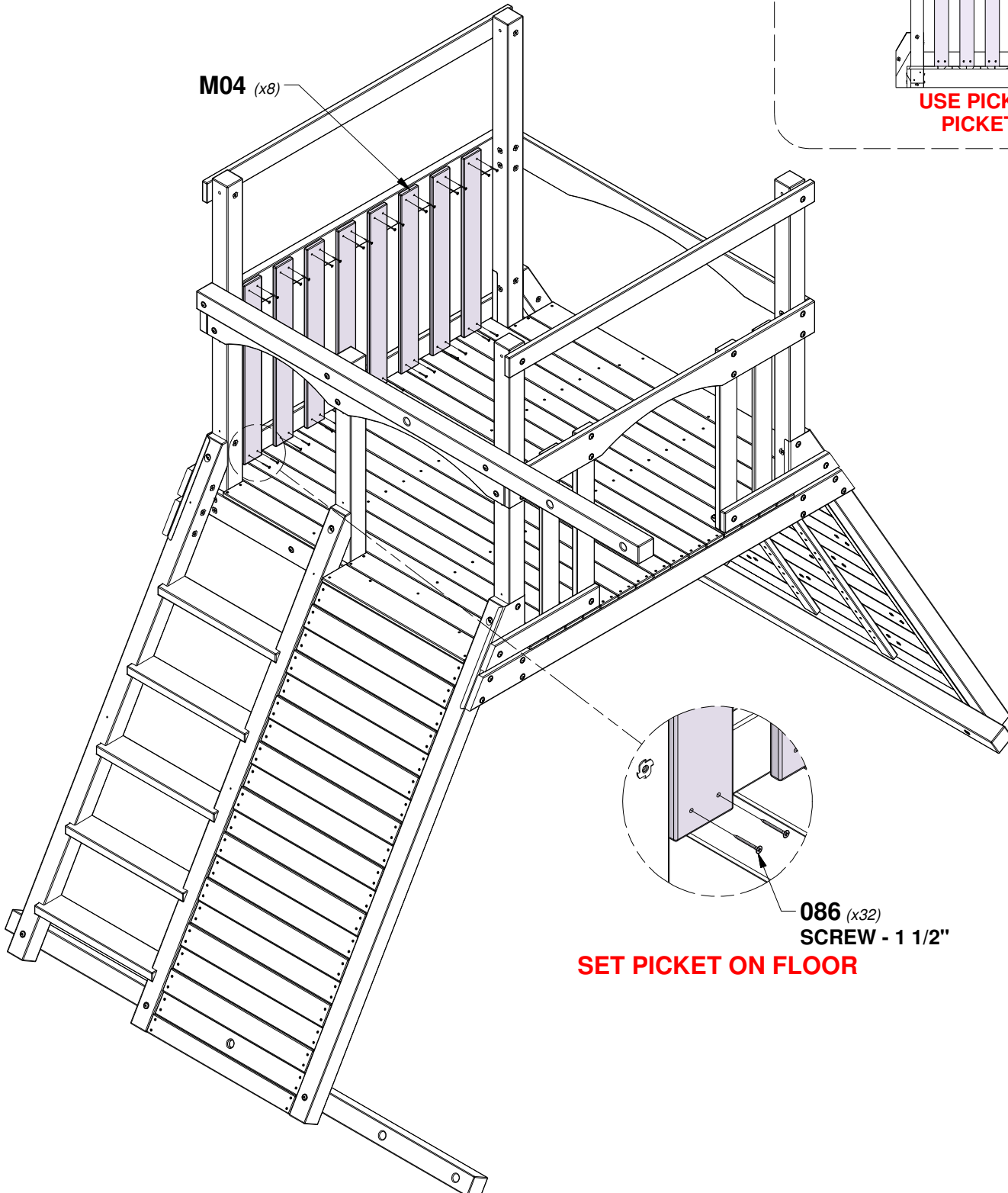
QTY	PART NUMBER	DESCRIPTION
32	H100086	SCREW PFH 8x1-1/2"



**M04** PICKET - W4L15997  
(x8) 5/8"x3 3/8"x29 7/8" (16x86x760)



**M04** (x8)

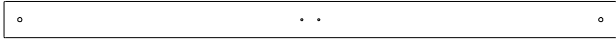


**086** (x32)  
SCREW - 1 1/2"

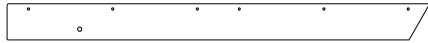
**SET PICKET ON FLOOR**

# STEP 28 - FORT ASSEMBLY

QTY	PART NUMBER	DESCRIPTION
4	H100030	WASHER LOCK EXT 8x19
4	H100074	T-NUT 5/16
4	H100505	BOLT WH 5/16x4 3/4

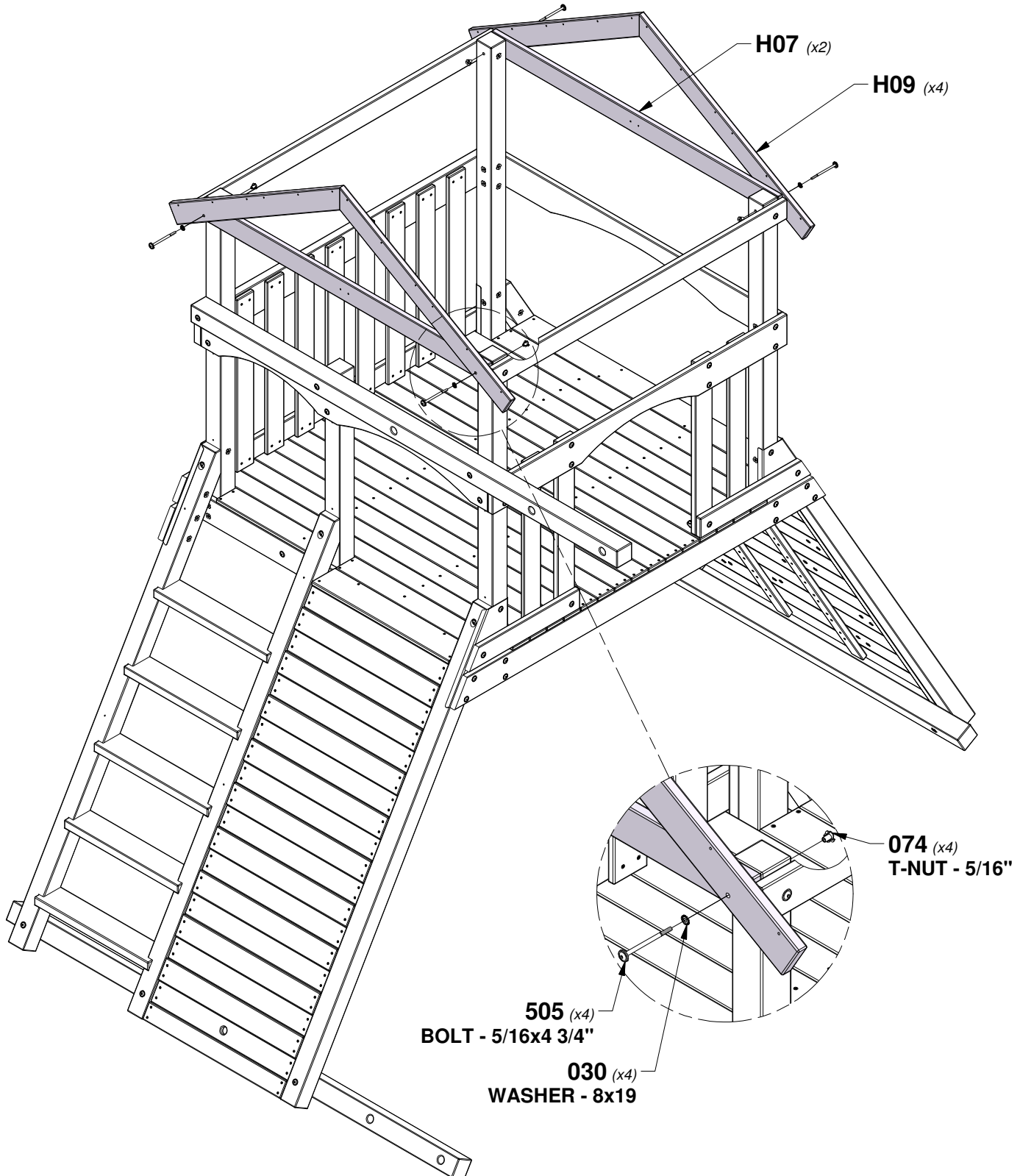


**H07** | WALL RAIL - W4L15983  
(x2) | 1"x3 3/8"x57 1/2" (24x86x1460)



**H09** | ROOF RAIL - W4L15985  
(x4) | 1"x3 3/8"x39 5/8" (24x86x1007)

**TIP:**  
INSTALL T-NUTS IN WOOD FIRST



# STEP 29 - FORT ASSEMBLY

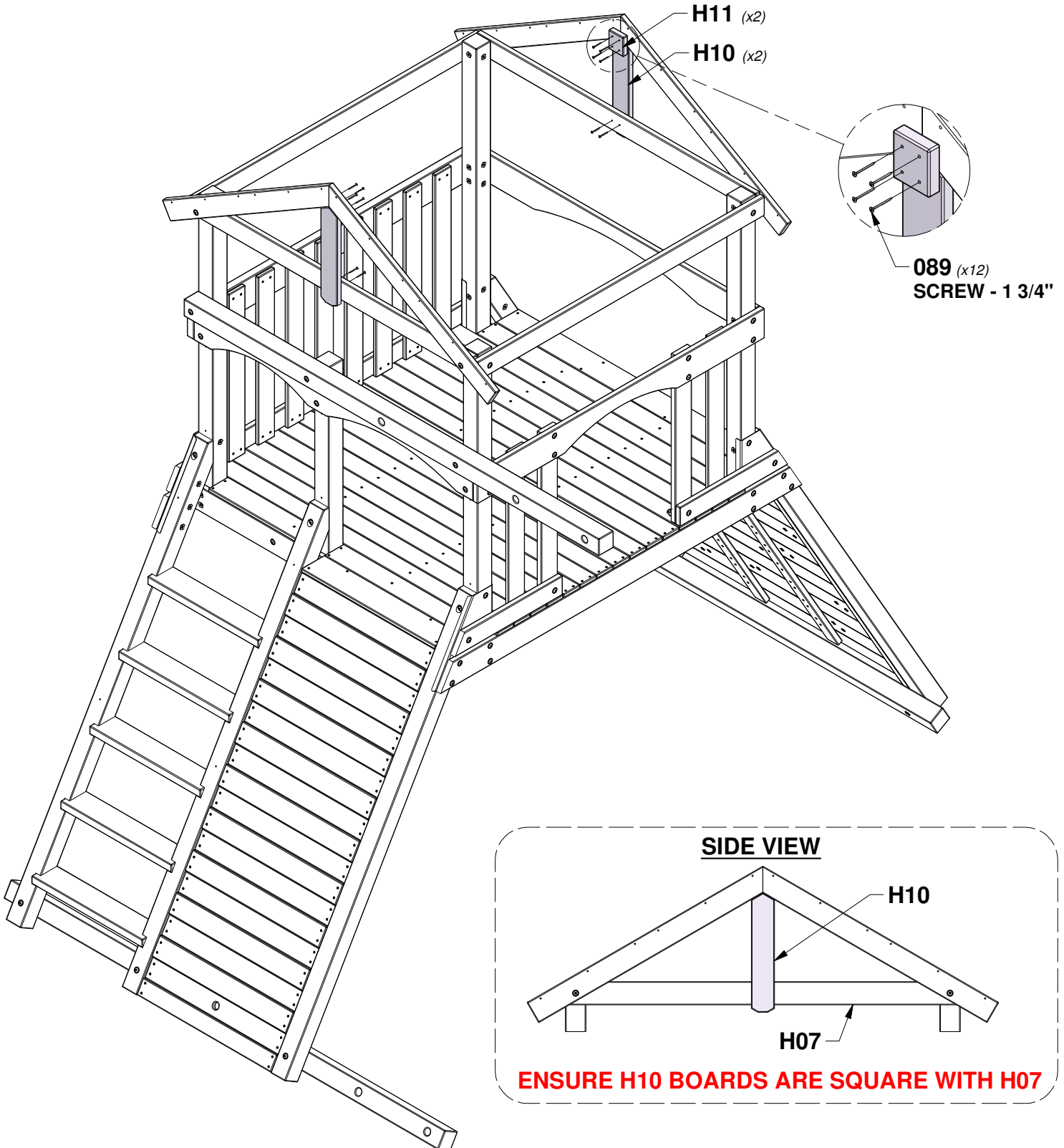
QTY	PART NUMBER	DESCRIPTION
12	H100089	SCREW PFH 8x1-3/4"



**H10 | GABLE BOARD - W4L15986**  
(x2) | 1"x3 3/8"x17 3/8" (24x86x440)



**H11 | GABLE CLEAT - W4L15987**  
(x2) | 1"x3"x3 3/8" (24x76x86)



# STEP 30 - FORT ASSEMBLY

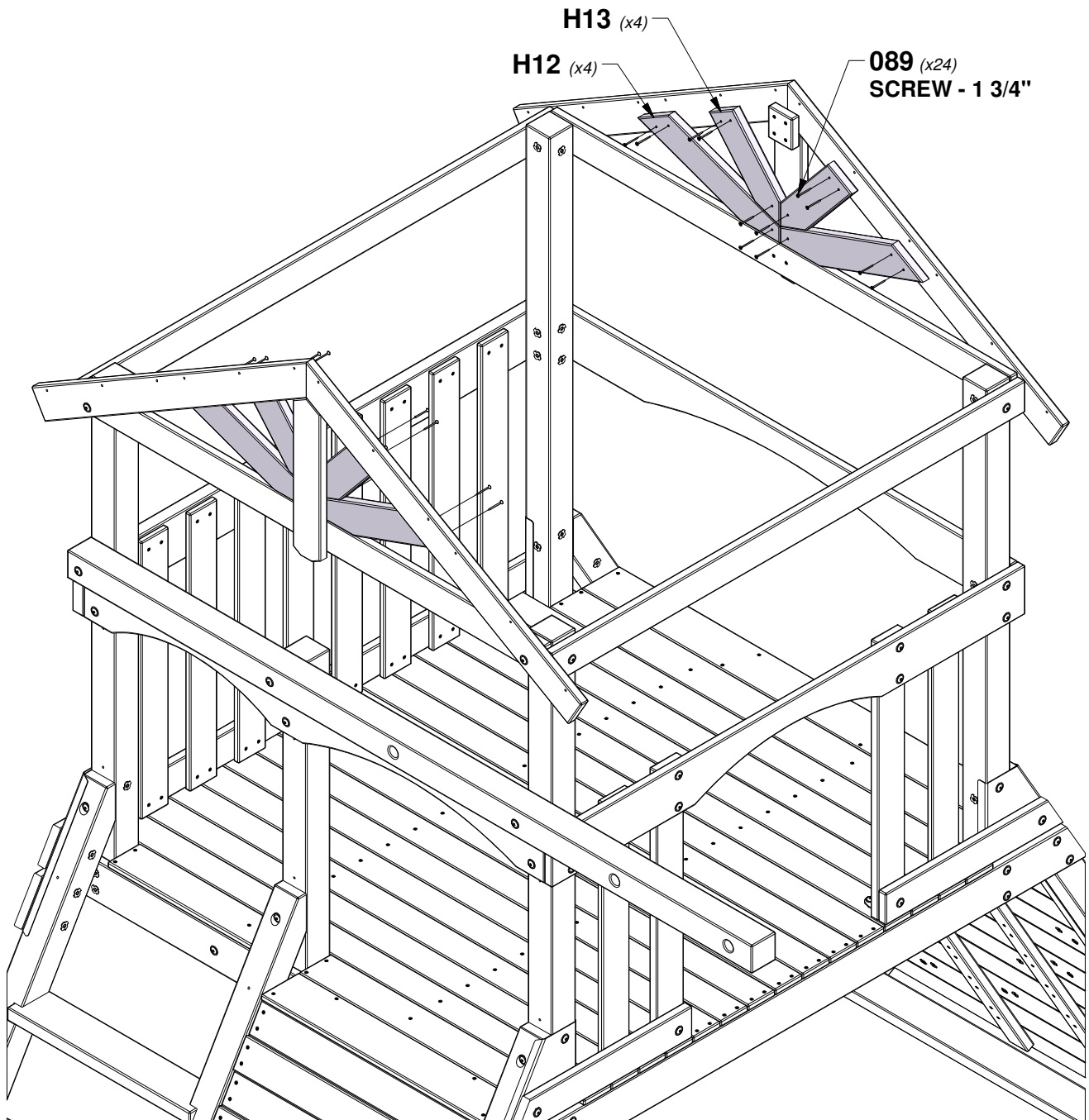
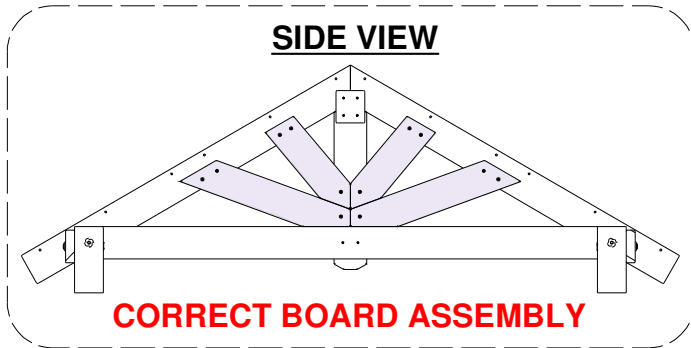
QTY	PART NUMBER	DESCRIPTION
24	H100089	SCREW PFH 8x1-3/4"



**H12** | GABLE BOARD - W4L15988  
(x4) | 1"x3 3/8"x18 1/4" (24x86x465)



**H13** | GABLE BOARD - W4L15989  
(x4) | 1"x3 3/8"x11 3/4" (24x86x300)

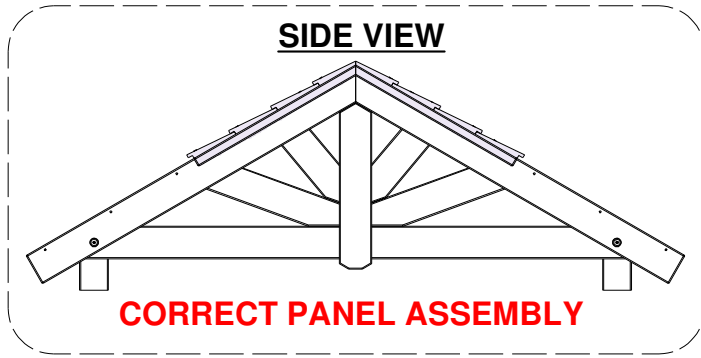


# STEP 31 - FORT ASSEMBLY

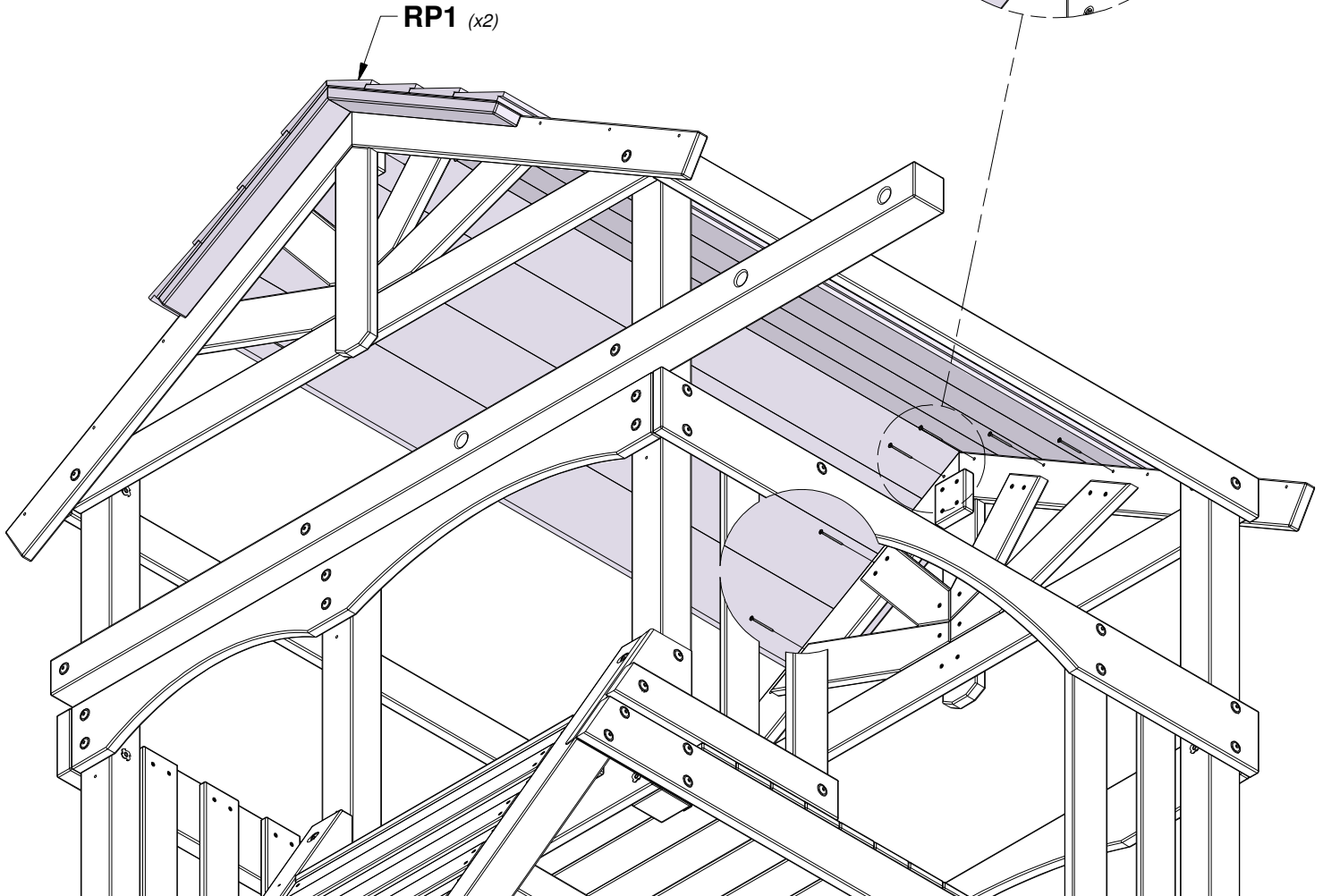
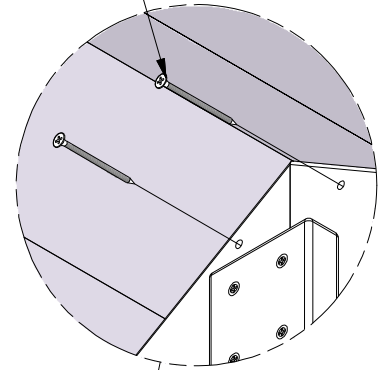
QTY	PART NUMBER	DESCRIPTION
12	H100091	SCREW PFH 8x2-1/4"



**RP1** | PEAK ROOF PANEL - W2A03276  
 (x2) | 1 5/8"x20 5/8"x59" (42x511x1676)



**091** (x12)  
 SCREW - 2 1/4"

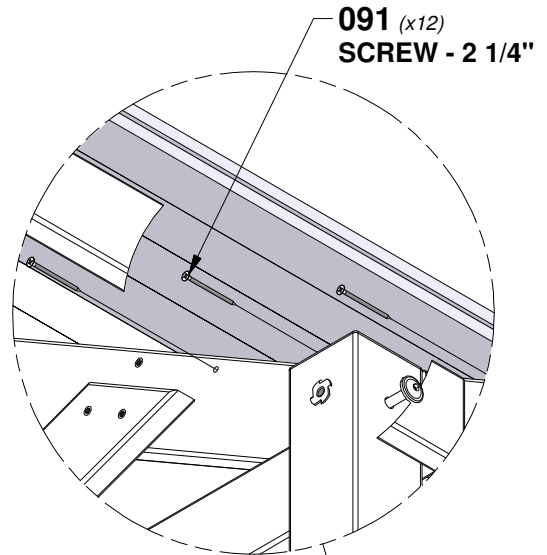
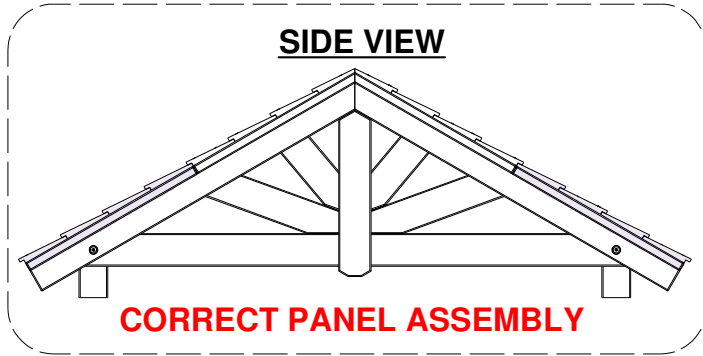


# STEP 32 - FORT ASSEMBLY

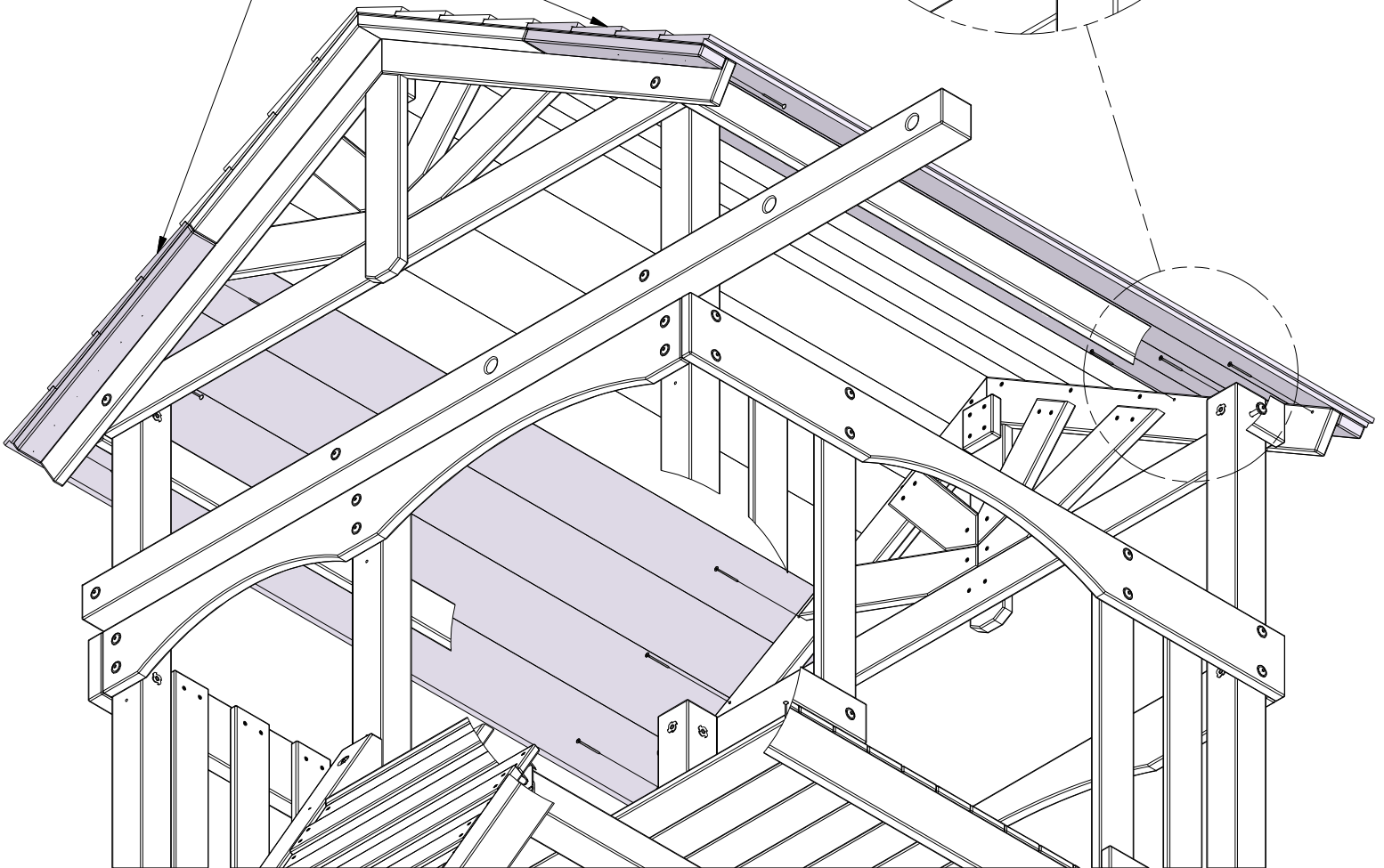
QTY	PART NUMBER	DESCRIPTION
12	H100091	SCREW PFH 8x2-1/4"

•	•
•	•
•	•
•	•
•	•
•	•

**RP2** | ROOF PANEL - W2A03277  
 (x2) | 1 5/8"x20 5/8"x66" (42x524x1676)



**RP2 (x2)**



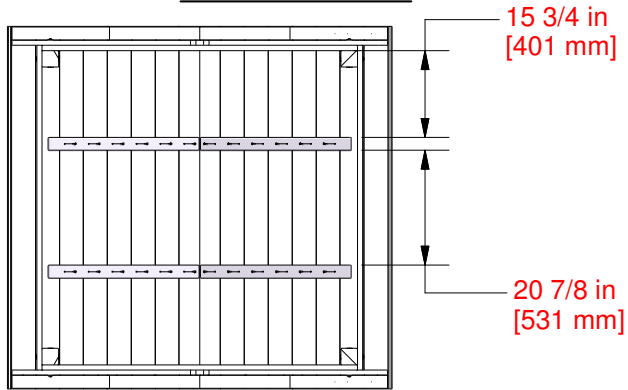
# STEP 33 - FORT ASSEMBLY

QTY	PART NUMBER	DESCRIPTION
24	H100380	SCREW PFH 8x1 1/8 BLK



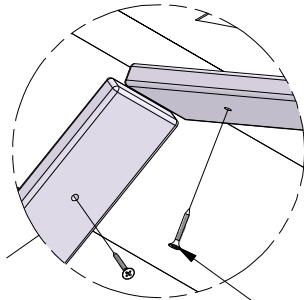
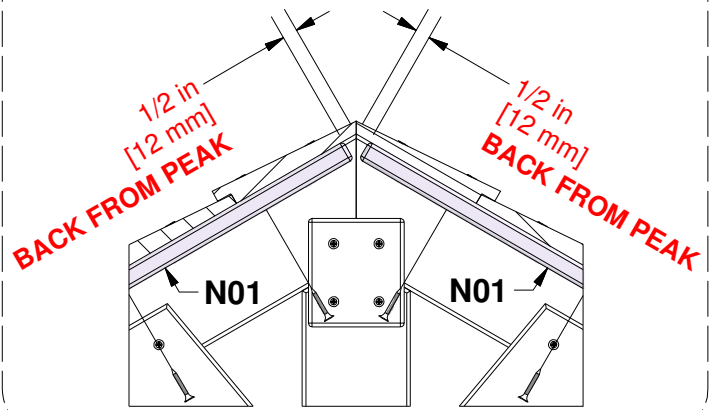
**N01** | ROOF CLEAT - W4L15990  
(x4) | 5/8"x2 3/8"x31 1/2" (16x60x800)

## BOTTOM VIEW



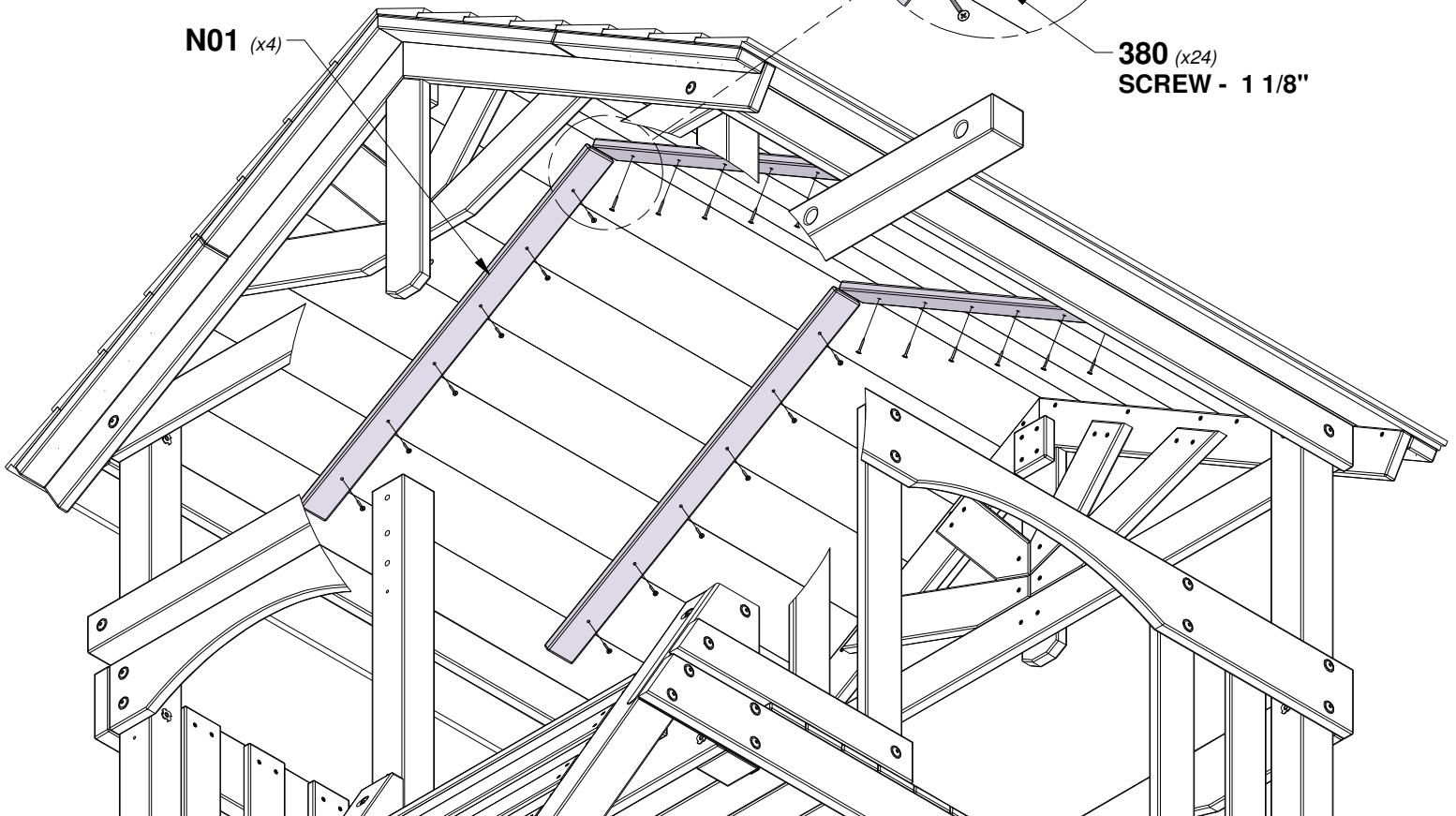
**CORRECT BOARD ASSEMBLY**

## FRONT VIEW



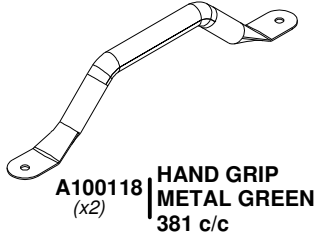
**N01** (x4)

**380** (x24)  
**SCREW - 1 1/8"**

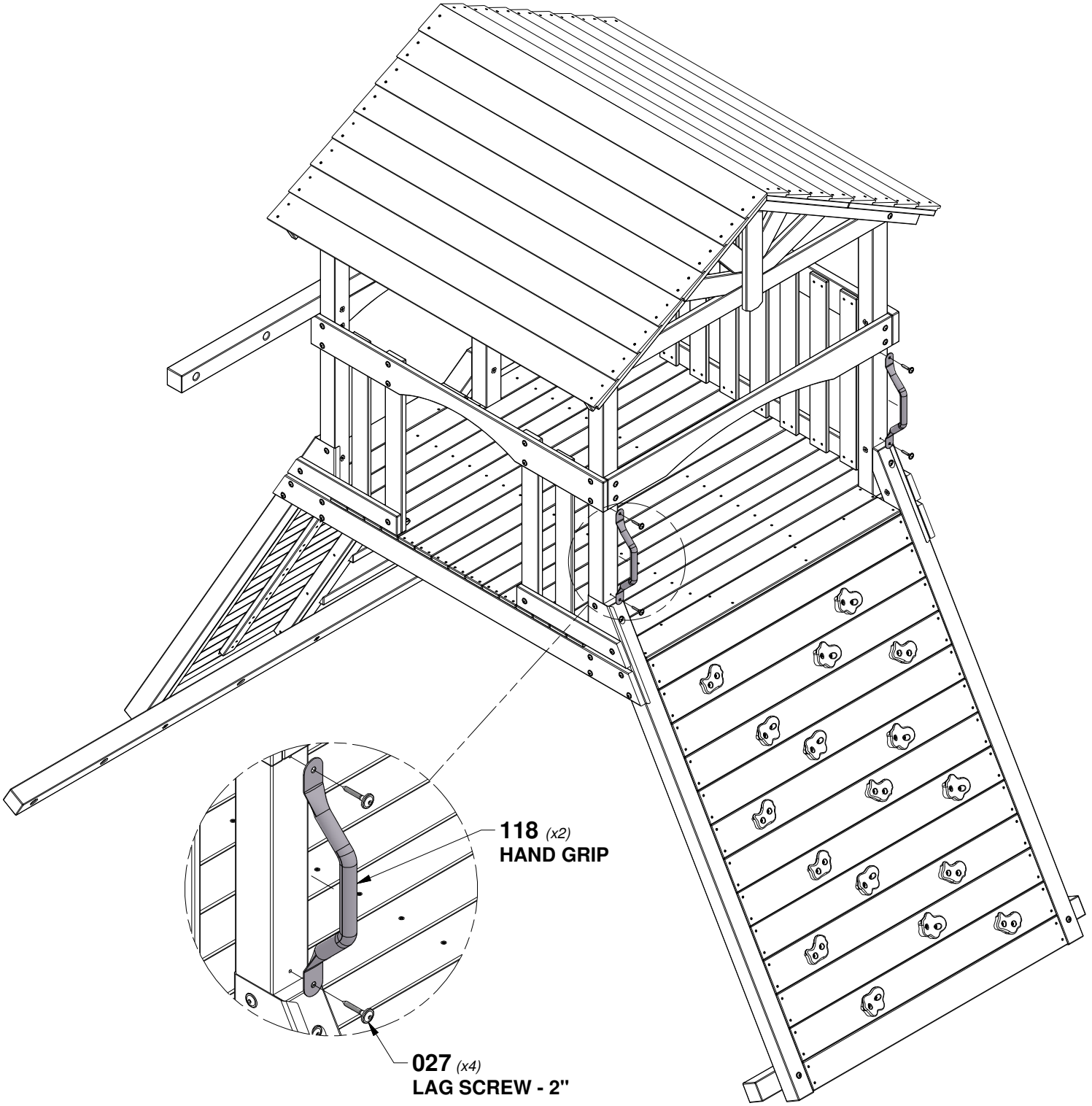


# STEP 34 - FORT ASSEMBLY

QTY	PART NUMBER	DESCRIPTION
4	H100027	LAG SCREW WH 5/16x2



**A100118** | **HAND GRIP**  
*(x2)* | **METAL GREEN**  
**381 c/c**



**118** *(x2)*  
**HAND GRIP**

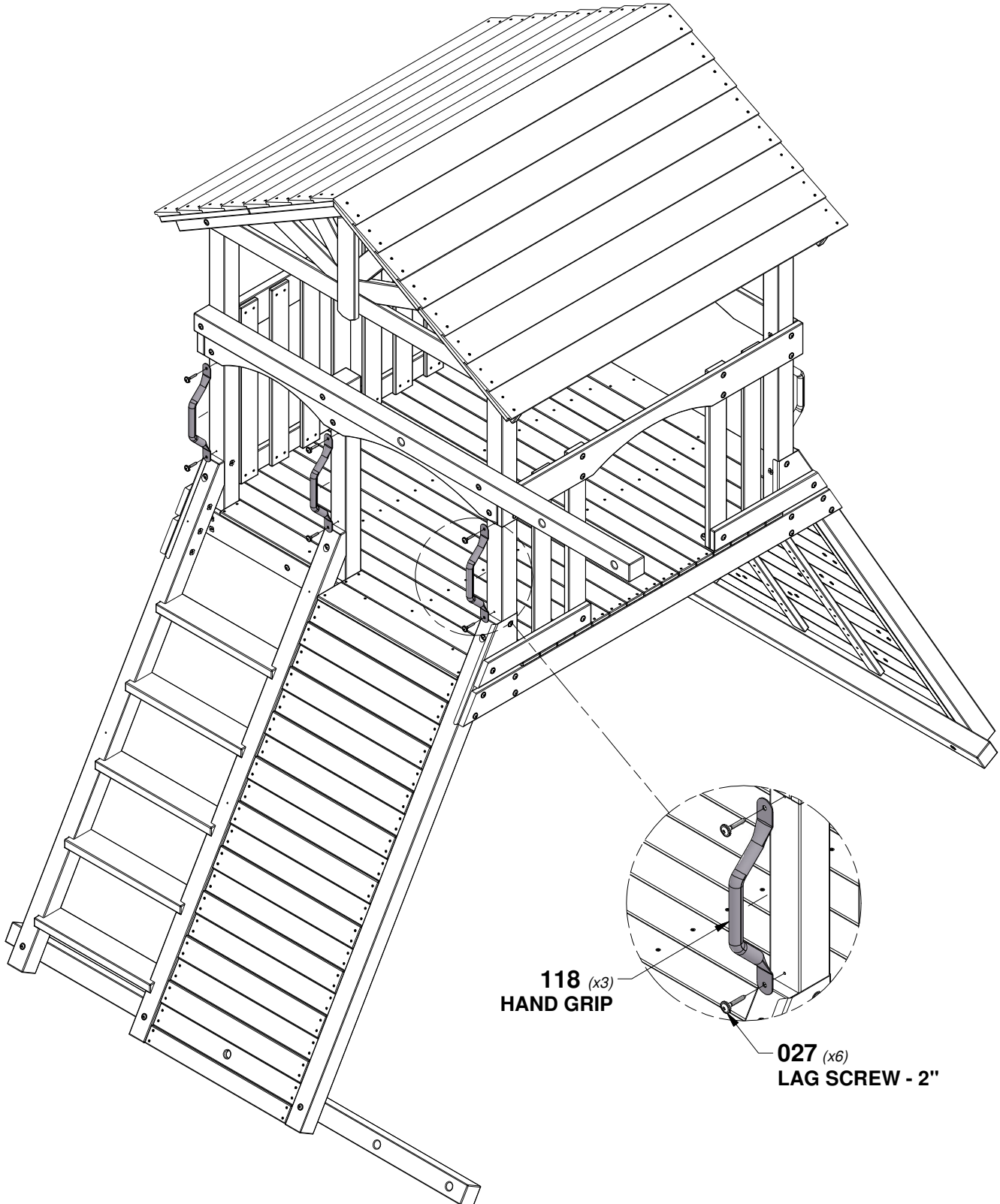
**027** *(x4)*  
**LAG SCREW - 2"**

# STEP 35 - FORT ASSEMBLY

QTY	PART NUMBER	DESCRIPTION
6	H100027	LAG SCREW WH 5/16x2



**A100118** | **HAND GRIP**  
*(x3)* | **METAL GREEN**  
**381 c/c**

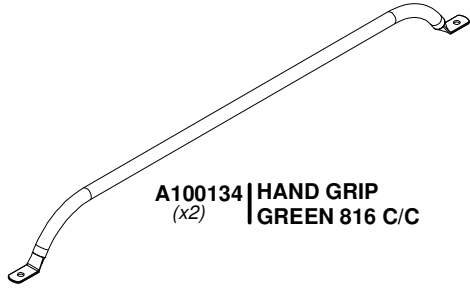


**118** *(x3)*  
**HAND GRIP**

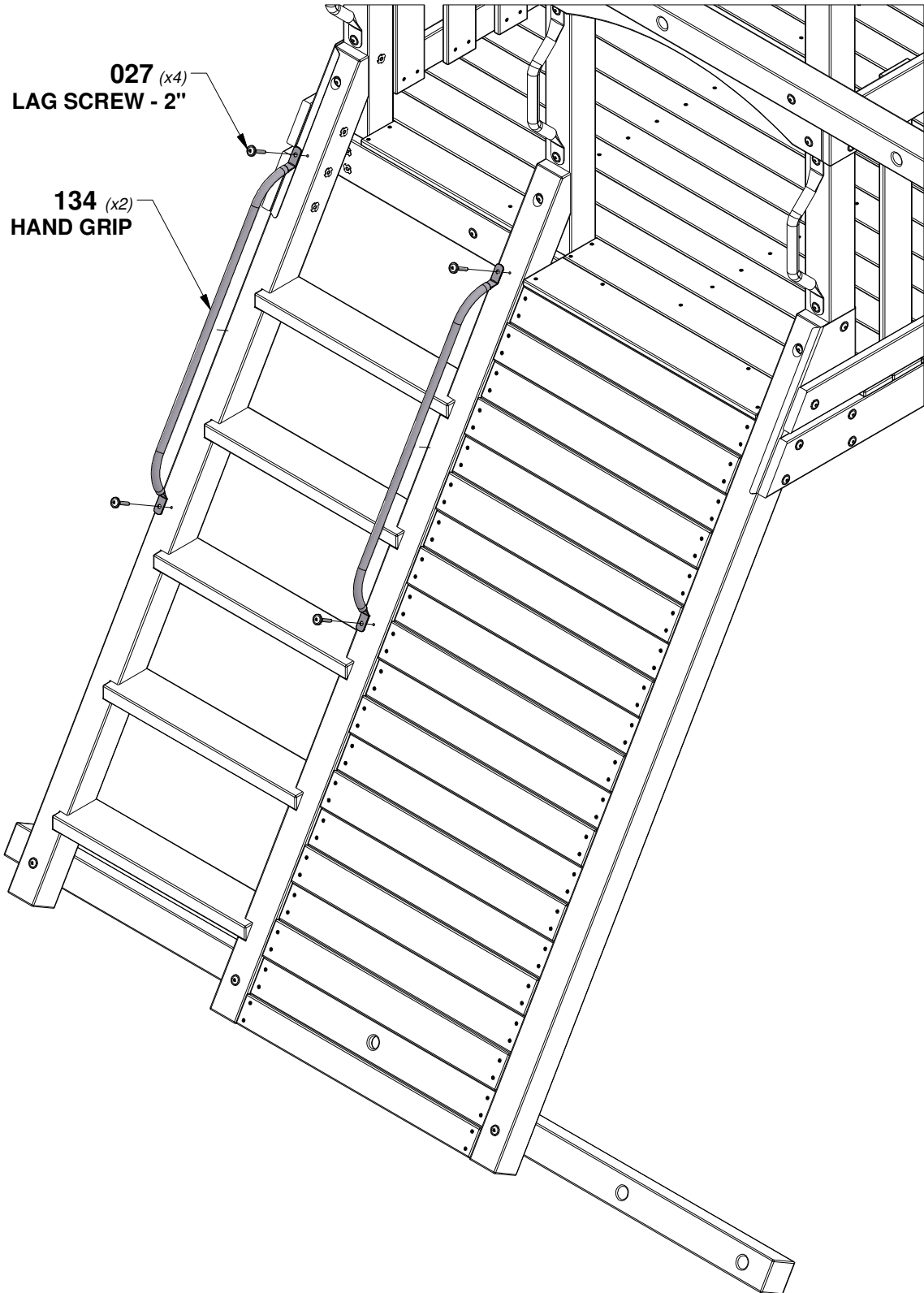
**027** *(x6)*  
**LAG SCREW - 2"**

# STEP 36 - FORT ASSEMBLY

QTY	PART NUMBER	DESCRIPTION
4	H100027	LAG SCREW WH 5/16x2



**A100134** | **HAND GRIP**  
(x2) | **GREEN 816 C/C**

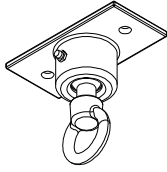


**027** (x4)  
**LAG SCREW - 2"**

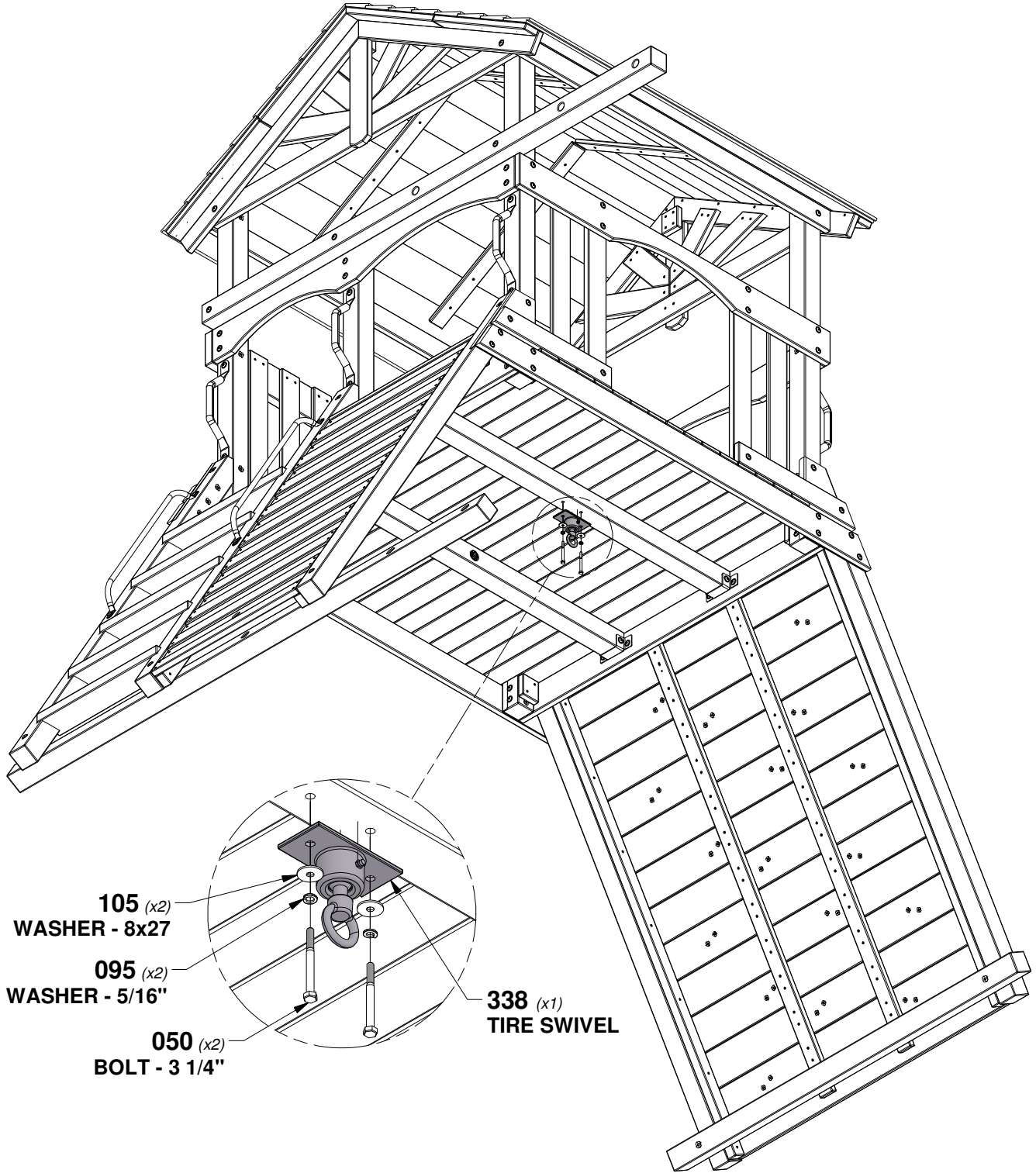
**134** (x2)  
**HAND GRIP**

# STEP 37 - FORT ASSEMBLY

QTY	PART NUMBER	DESCRIPTION
2	H100050	BOLT HEX 5/16x3 1/4
2	H100095	WASHER SPLIT 5/16
2	H100105	WASHER FLAT 8x27

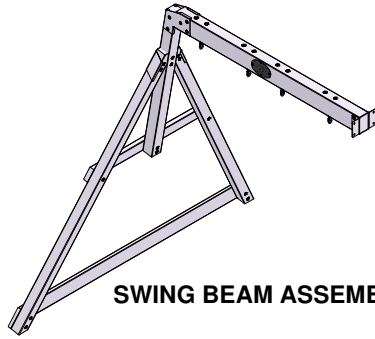


**H100338**  
(x1) | TIRE SWIVEL

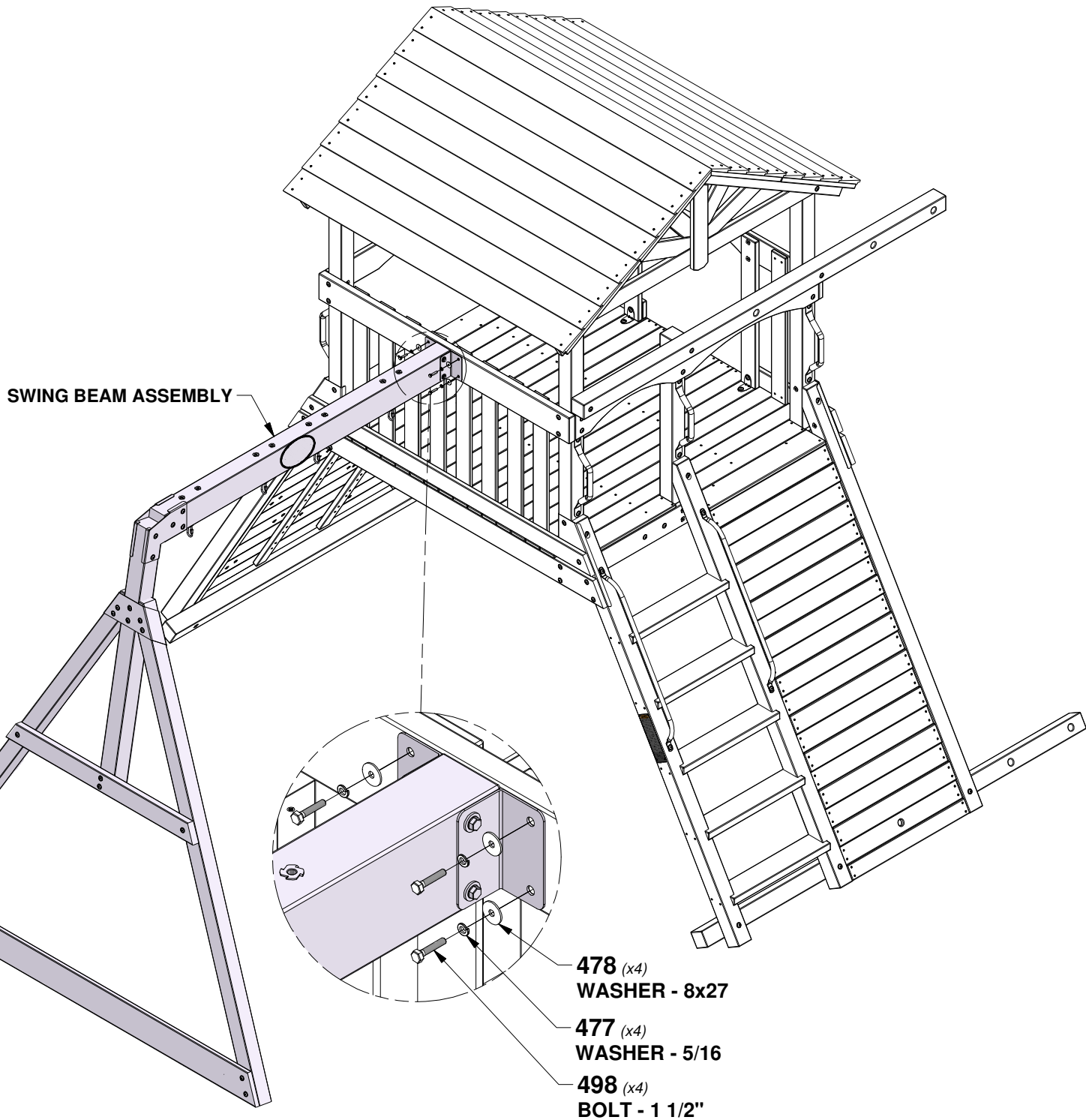


# STEP 38 - FORT ASSEMBLY

QTY	PART NUMBER	DESCRIPTION
4	H100477	WASHER SPLIT 5/16 BLK
4	H100478	WASHER FLAT 8x27 BLK
4	H100498	BOLT HEX 5/16x1-1/2 - BLK



SWING BEAM ASSEMBLY



SWING BEAM ASSEMBLY

- 478 (x4)  
WASHER - 8x27
- 477 (x4)  
WASHER - 5/16
- 498 (x4)  
BOLT - 1 1/2"

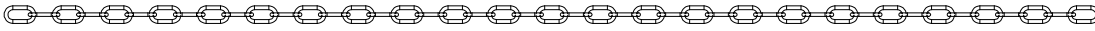
# STEP 39 - FORT ASSEMBLY



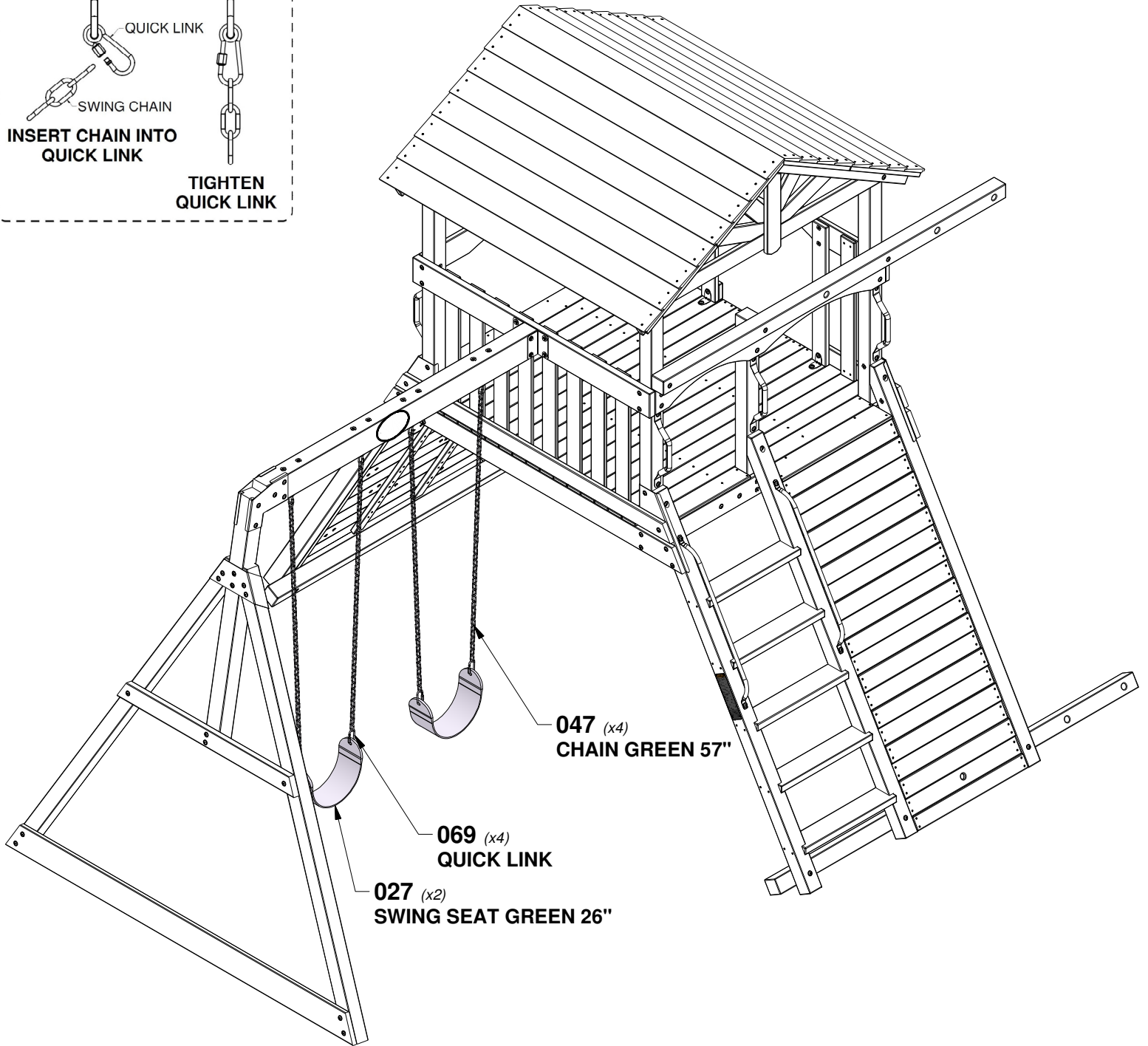
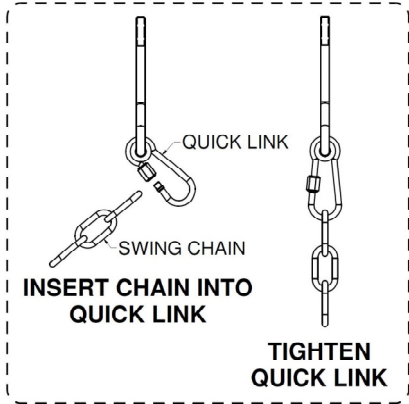
**A100027** | SWING SEAT  
*(x2)* | GREEN 26"



**A100069** | QUICK LINK  
*(x4)*



**A100047** | CHAIN GREEN  
*(x4)* | 57"



# STEP 1 - WEB SWING ASSEMBLY

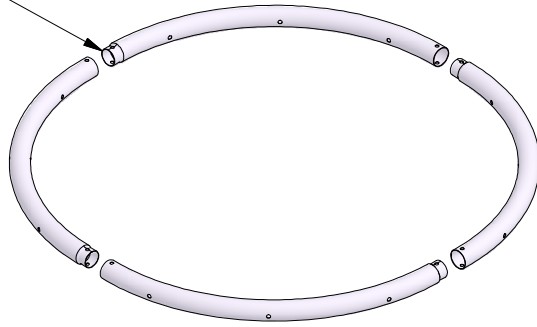
QTY	PART NUMBER	DESCRIPTION
4	H100773	BOLT PTH 1/4x1-1/2 BLK
4	H100831	NUT BARREL PTH 1/4x3/4 BLK

## WEB SWING SETUP INSTRUCTIONS

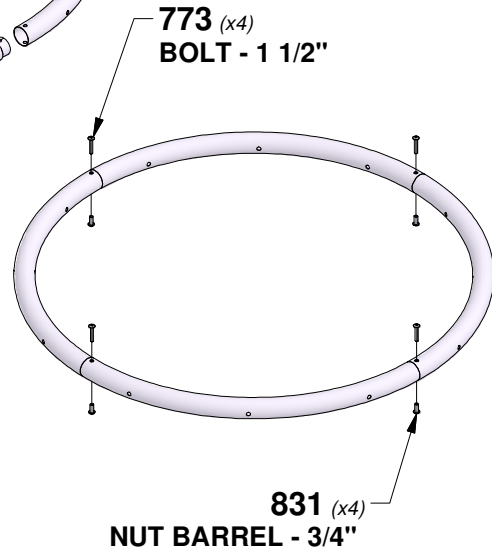
FOLLOW INSTRUCTIONS BELOW BEFORE USING THE WEB SWING.

**IMPORTANT:**  
**SLIDE ROPE LOOPS OVER TUBE ENDS FIRST!**  
**(SEE VIEW BELOW)**

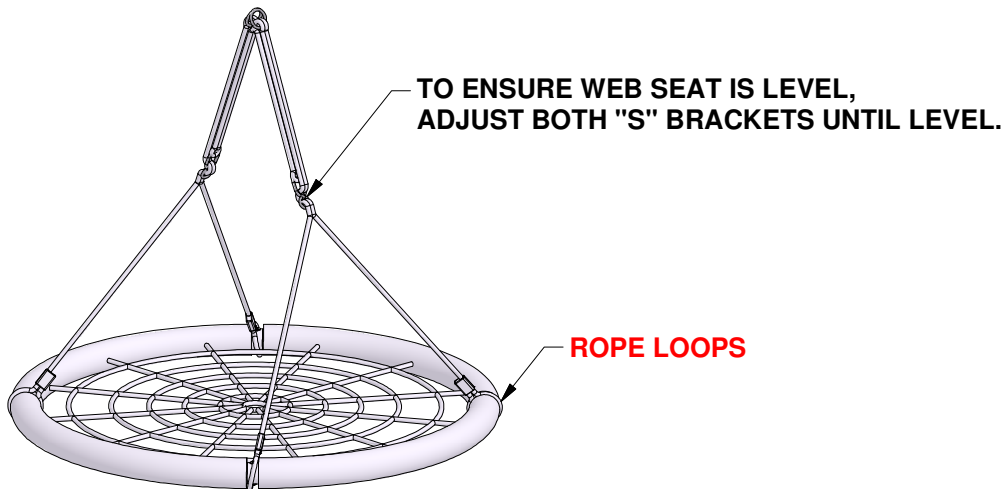
SLIDE NARROW END OF TUBES INTO LARGER OPENING AFTER SLIDING ROPE LOOPS ONTO TUBES.



**NOTE: ROPE WEBBING NOT SHOWN IN ILLUSTRATION FOR CLARITY.**



**NOTE: IT IS IMPORTANT THAT THE WEB SWING HANG LEVEL.**

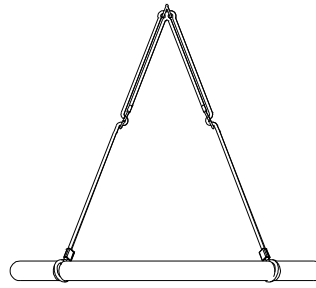


**SWING MUST BE SET AT A MINIMUM OF 8 INCHES OFF THE GROUND WHEN INSTALLED.**

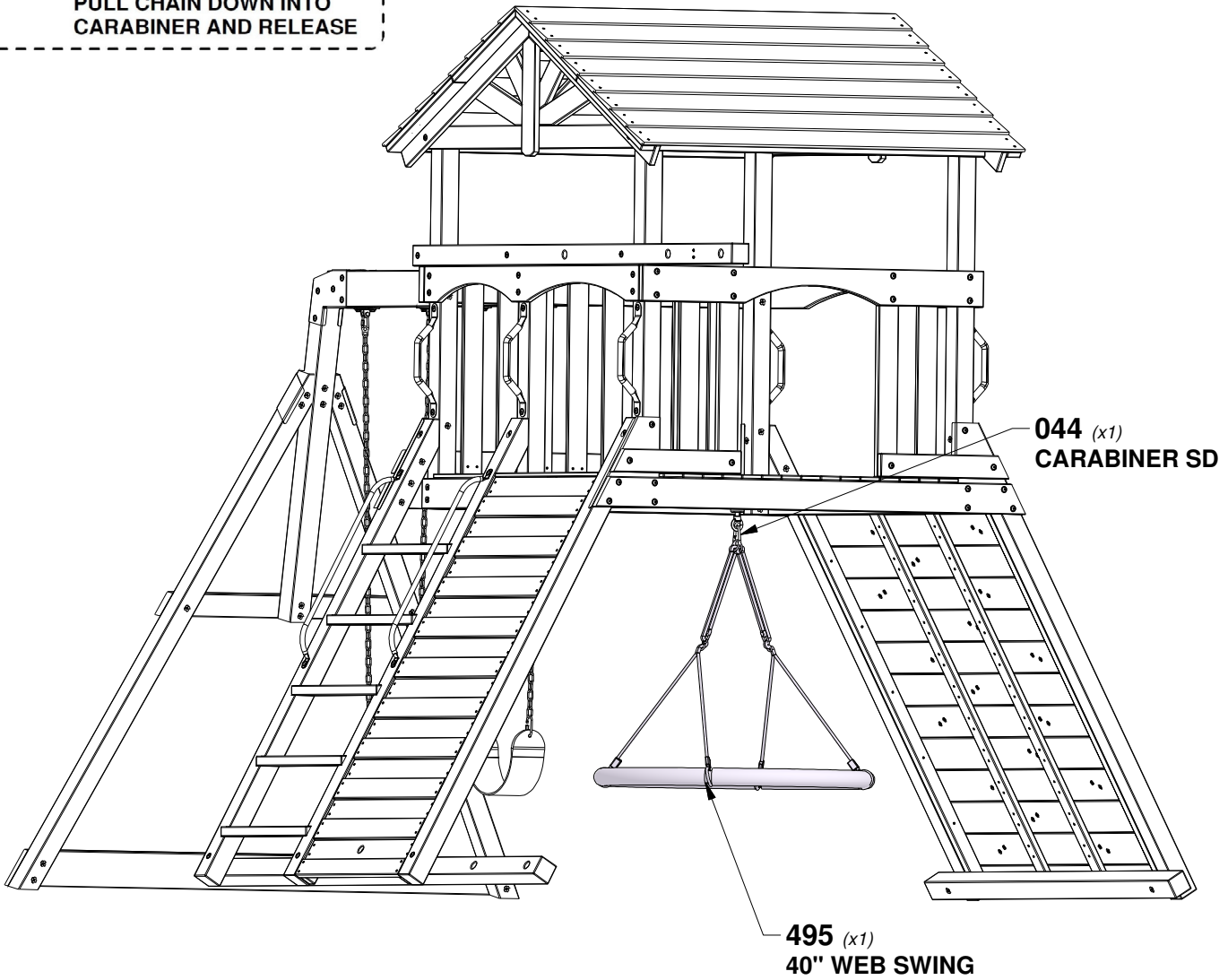
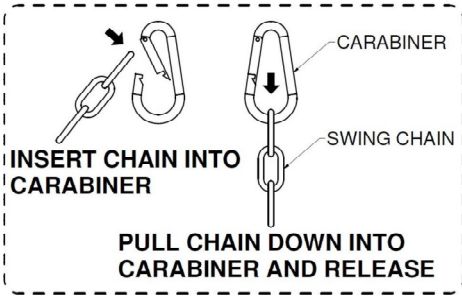
# STEP 40 - FORT ASSEMBLY



**A4M01044** | CARABINER SD  
(x1)

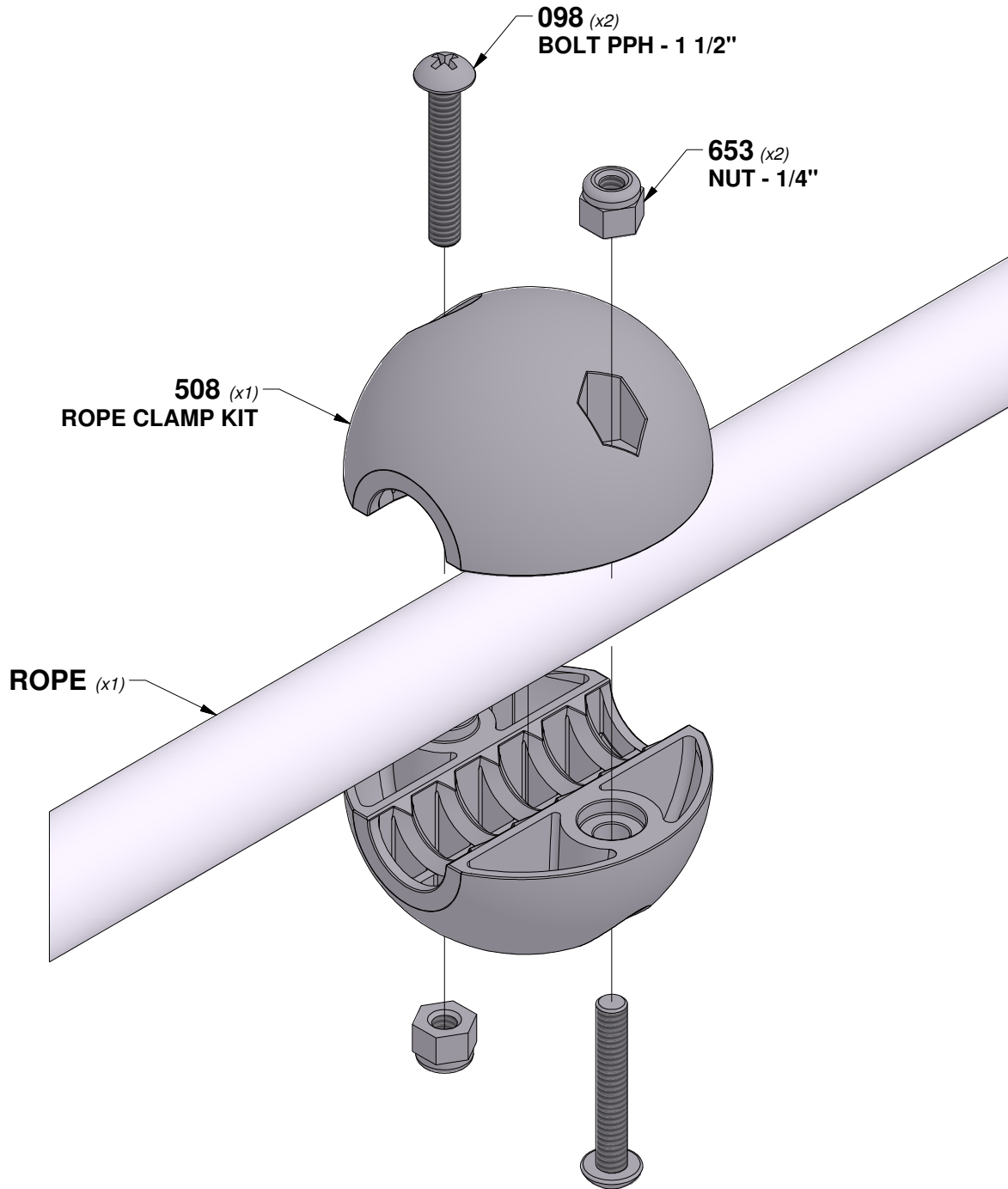


**A4M01495** | 40" WEB SWING  
(x1)



# STEP 1 - ROPE CLAMP ASSEMBLY

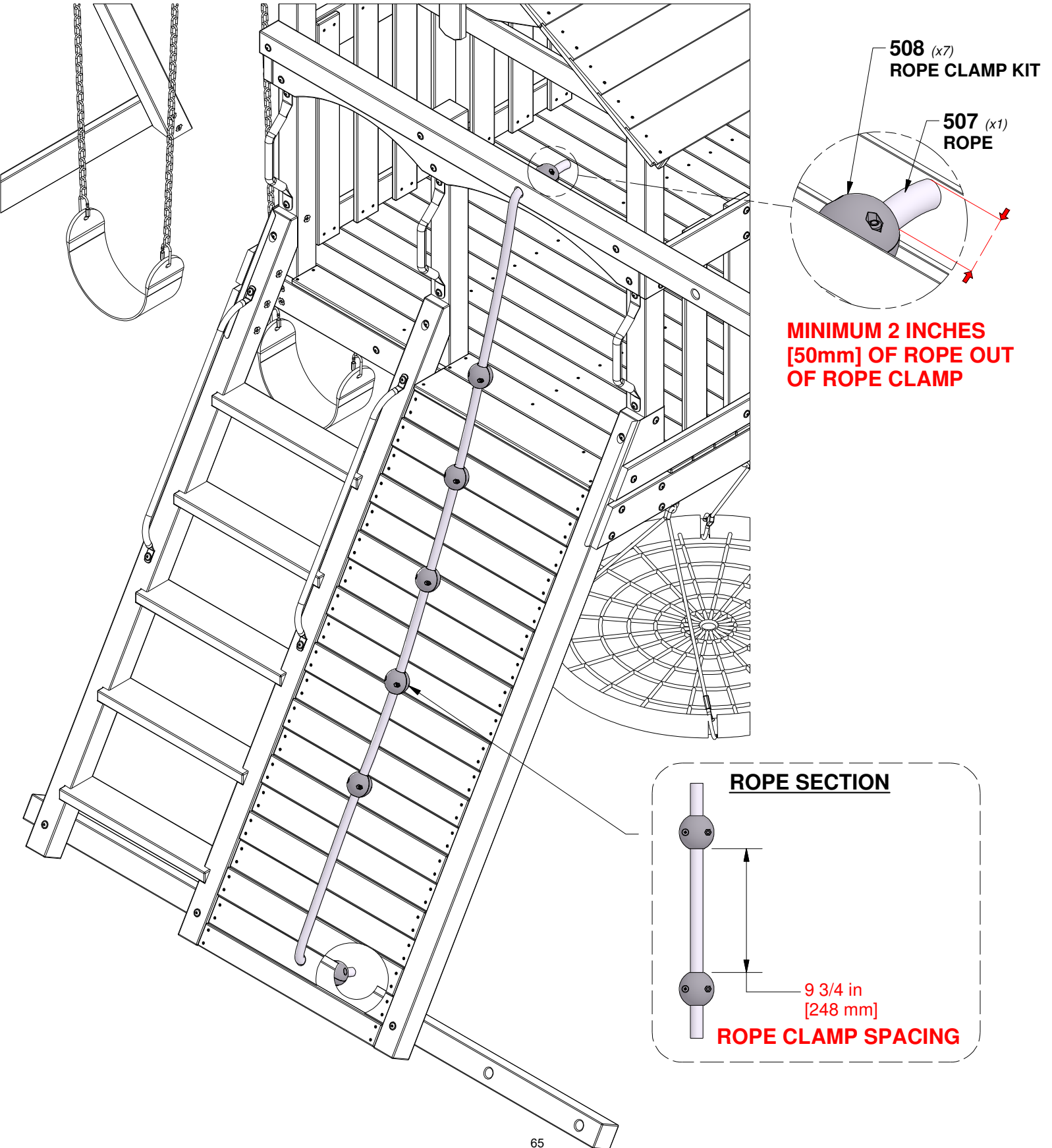
ROPE CLAMP ATTACHED IN NEXT STEP.



# STEP 41 - FORT ASSEMBLY

  
A6P00508 (x7) ROPE CLAMP KIT

A6P00507 (x1) ROPE



# STEP 42 - FORT ASSEMBLY

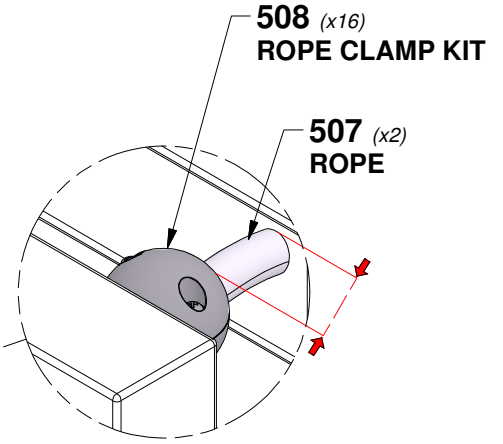
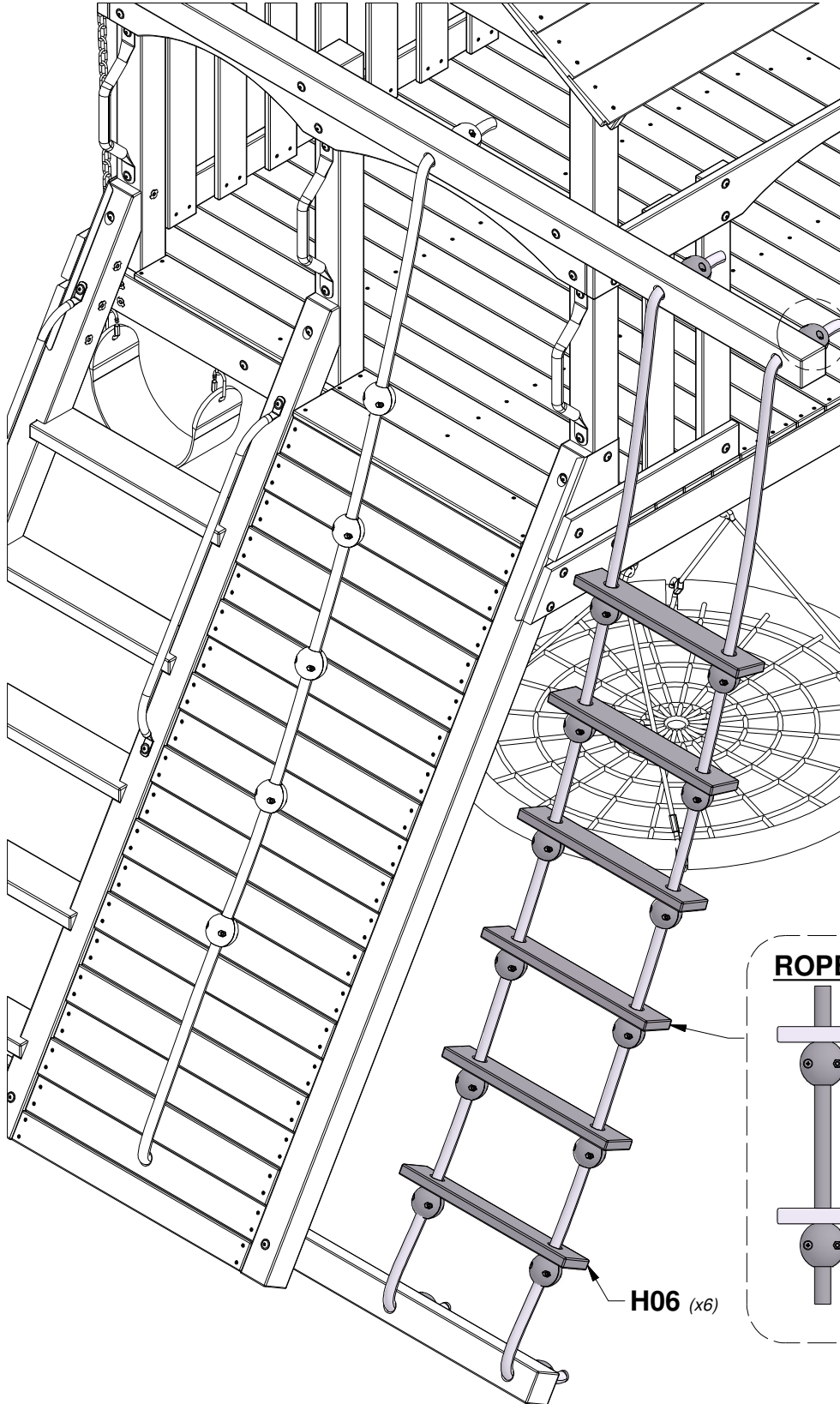


**H06** | ROPE LADDER RUNG - W4L15982  
(x6) | 1"x3 3/8"x19 5/8" (24x86x500)

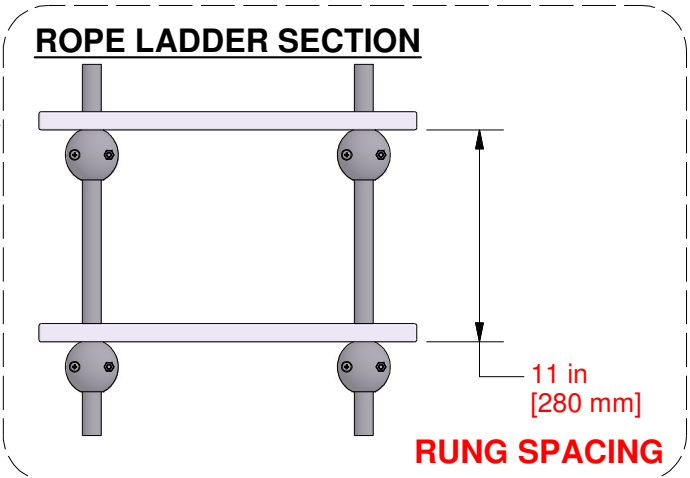


**A6P00508** | ROPE CLAMP KIT  
(x16)

**A6P00507** | ROPE  
(x2)



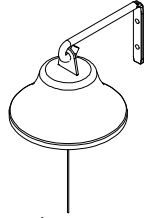
**MINIMUM 2 INCHES  
[50mm] OF ROPE OUT  
OF ROPE CLAMP**



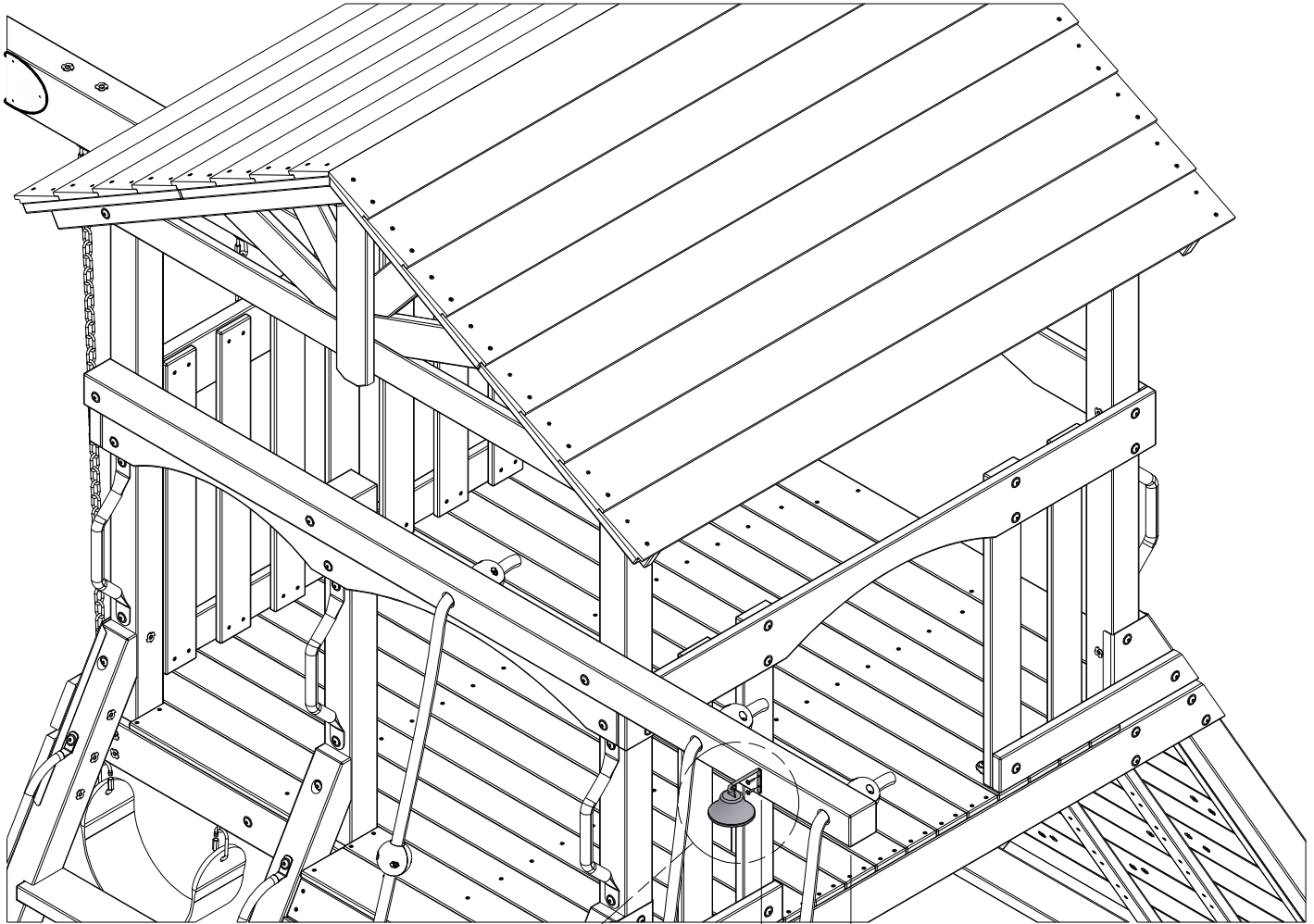
**H06** (x6)

# STEP 43 - FORT ASSEMBLY

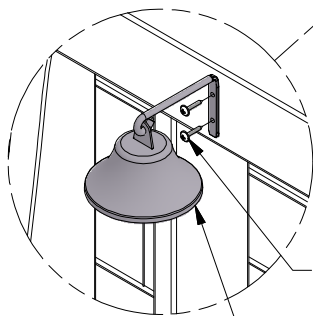
QTY	PART NUMBER	DESCRIPTION
2	H100392	SCREW PWH 8x3/4 BLK



**A4M00554**  
(x1) | **BELL ASSEMBLY**



9 7/8 in  
[250 mm]

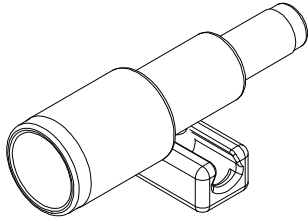


**392** (x2)  
**SCREW - 3/4"**

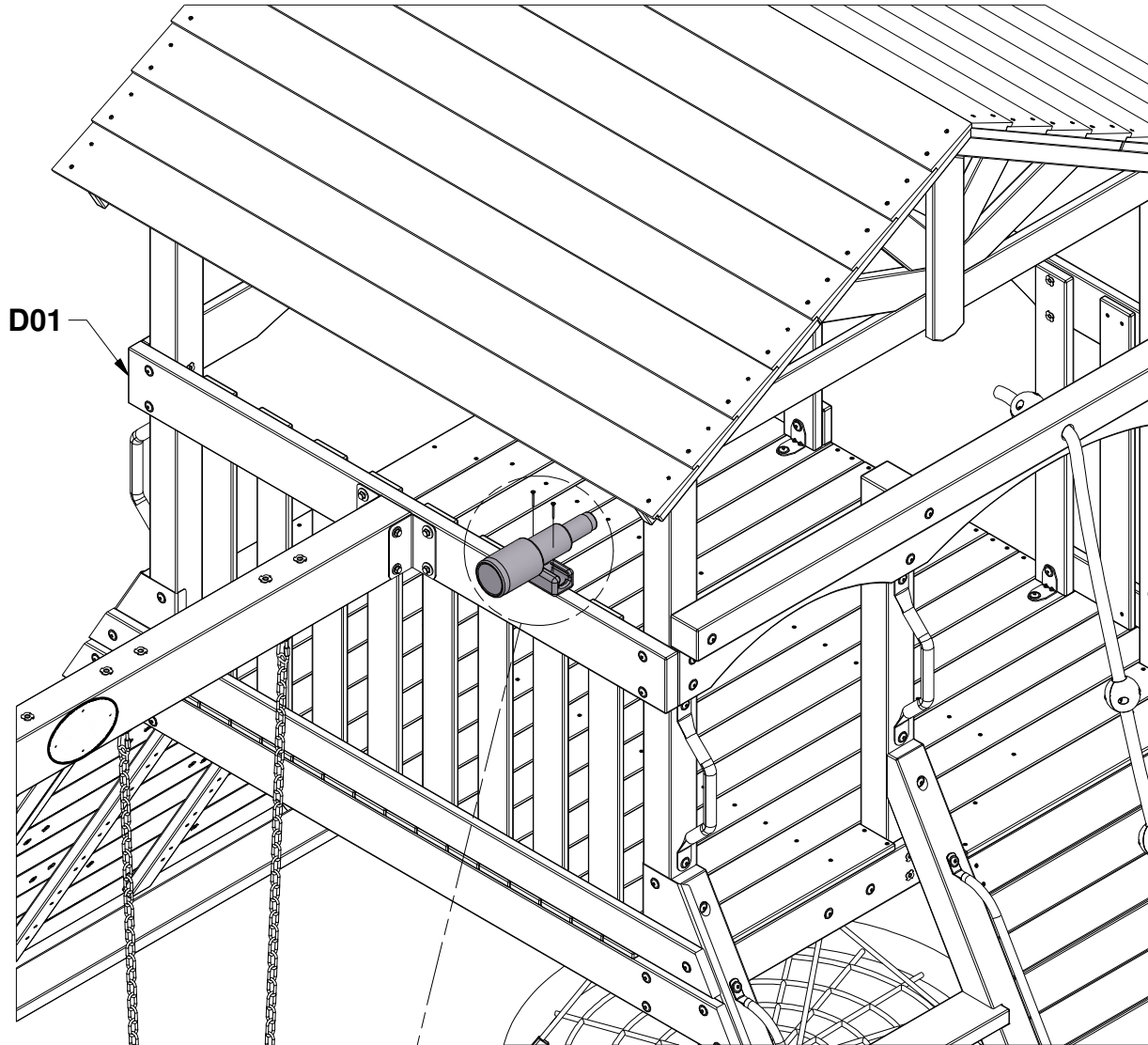
**554** (x1)  
**BELL ASSEMBLY**

# STEP 44 - FORT ASSEMBLY

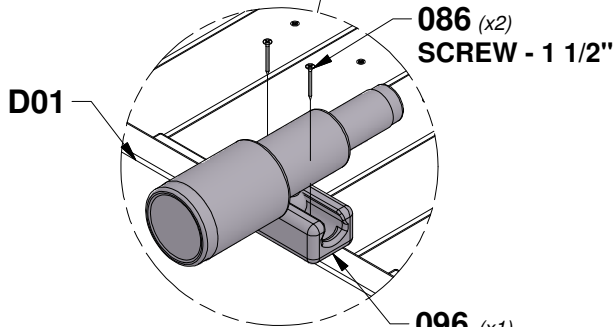
QTY	PART NUMBER	DESCRIPTION
2	H100086	SCREW PFH 8x1-1/2"



**A6P00096** | TELESCOPE  
(x1)



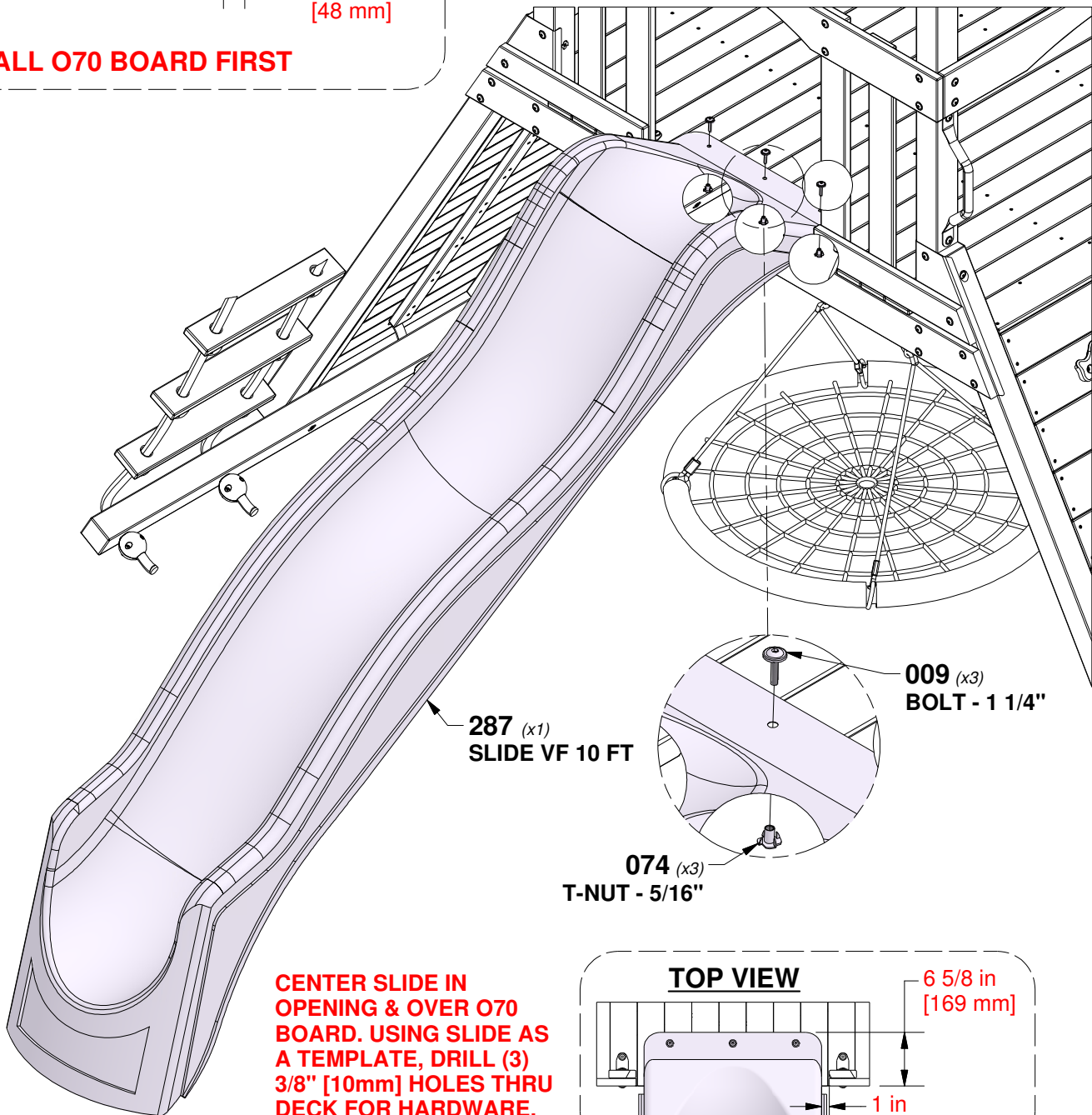
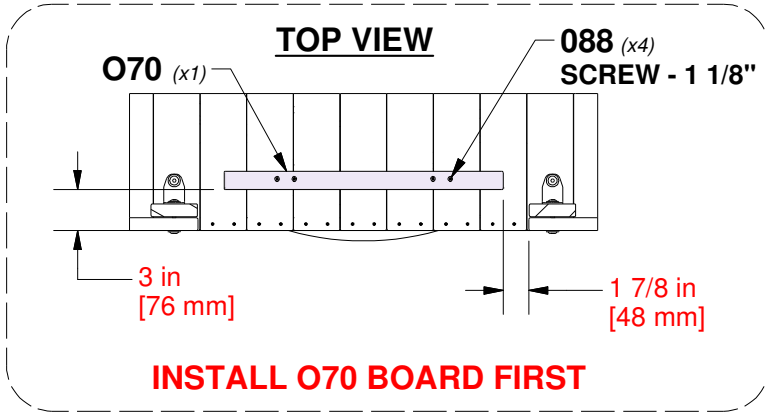
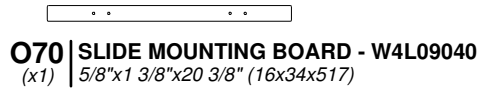
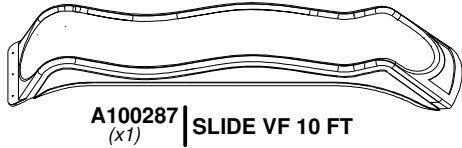
D01



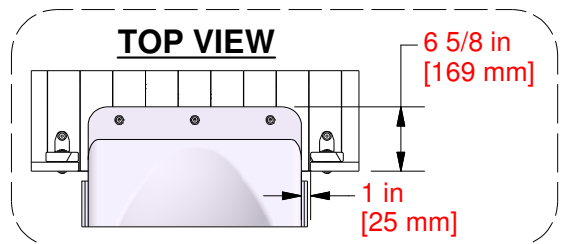
**086 (x2)**  
SCREW - 1 1/2"  
**096 (x1)**  
TELESCOPE  
**CENTER IN D01 BOARD**

# STEP 45 - FORT ASSEMBLY

QTY	PART NUMBER	DESCRIPTION
3	H100009	BOLT WH 5/16x1-1/4"
3	H100074	T-NUT 5/16"
4	H100088	SCREW PFH 8x1-1/8"

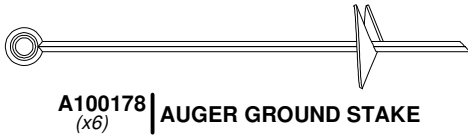


**CENTER SLIDE IN  
OPENING & OVER O70  
BOARD. USING SLIDE AS  
A TEMPLATE, DRILL (3)  
3/8" [10mm] HOLES THRU  
DECK FOR HARDWARE.**

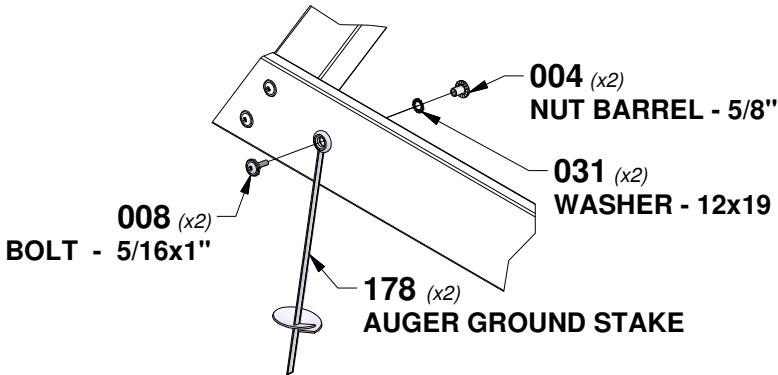


# STEP 46 - FORT ASSEMBLY

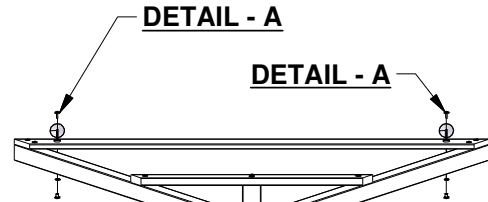
QTY	PART NUMBER	DESCRIPTION
2	H100004	NUT BARREL WH 5/16x5/8
2	H100008	BOLT WH 5/16x1
4	H100028	LAG SCREW WH 5/16x2 1/2
2	H100031	WASHER LOCK EXT 12x19



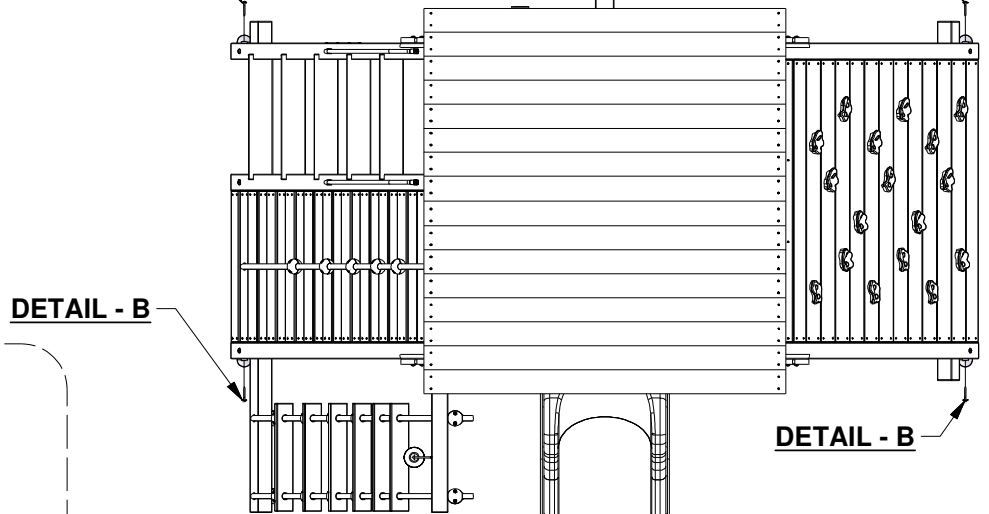
## DETAIL - A



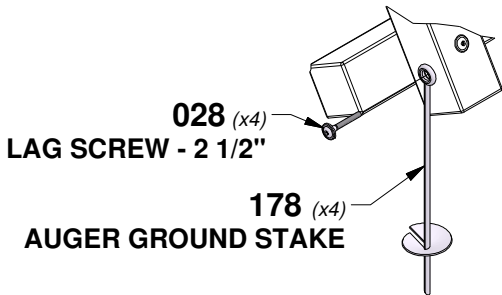
**TWIST GROUND STAKE INTO GROUND AT LOCATIONS SHOWN. USING GROUND STAKE AS A GUIDE, DRILL A 7/16" [10mm] HOLE FOR HARDWARE.**



## DETAIL - B



## DETAIL - B



**TWIST GROUND STAKE INTO GROUND AT LOCATIONS SHOWN. USING GROUND STAKE AS A GUIDE, DRILL A 3/16" [5mm] PILOT HOLE FOR LAG BOLT.**