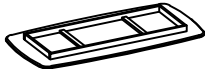




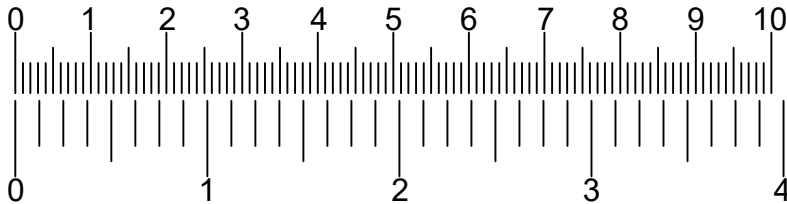


Thank you for purchasing this quality product. Be sure to check all packing materials carefully for small parts, which may have come loose inside the carton during shipment. Identify and count all items and compare with the PARTS LIST and/or HARDWARE LIST shown below.

1. We recommend that you assemble this product with the assistance of another person; this will make the assembly easier, and will help eliminate damage to the product or injury to persons during assembly.
2. Please do not tighten screws or bolts until assembly is completed.
3. To level the chairs or table, before tightening all the screws, the chairs or table must be placed on a flat surface and then tighten the screws.
4. Please put all parts on a non-abrasive floor before assembly and follow the assembly steps to assemble your newly purchased product correctly and efficiently.

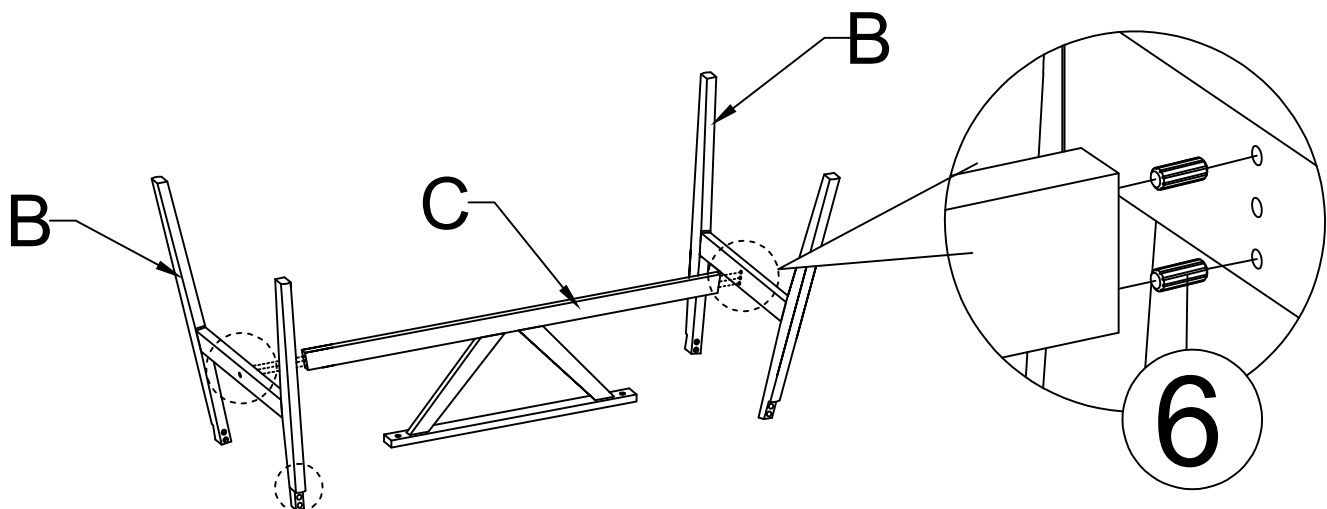
PARTS LIST			
NO.	DESCRIPTION	SKETCH	QTY
A	TABLE TOP		1 PC
B	LEG		2 PCS
C	CENTER RAIL		1 PC

HARDWARE LIST			
NO.	DESCRIPTION	SKETCH	QTY
1	LONG BOLT 1/4"x2-3/4"		2 PCS
2	MEDIUM BOLT 1/4"x1-3/4"		8 PCS
3	SHORT BOLT 1/4"x1-3/8"		2 PCS
4	FLAT WASHER		12 PCS
5	SPRING WASHER		12 PCS
6	PLASTIC DOWEL		4 PCS
7	ALLEN KEY		1 PC
8	WOOD BUTTON		2 PCS



STEP 1:

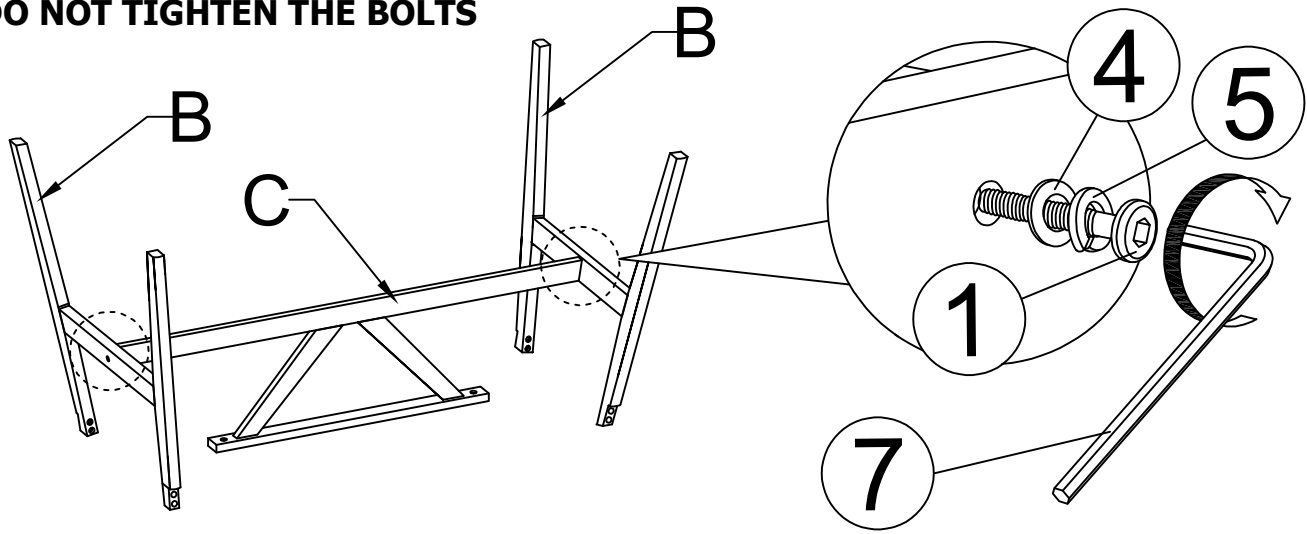
Insert Plastic Dowels (6) into the pre-drilled holes of the Center Rail (C). Align the holes on the Table Leg (B) with the Plastic Dowels (6) and ensure the dowels fit securely into the matching holes on the table legs.



STEP 2:

Assembly the Table Leg (B) to the Center Rail by using Allen Key (7) with hardware 1,4 & 5.

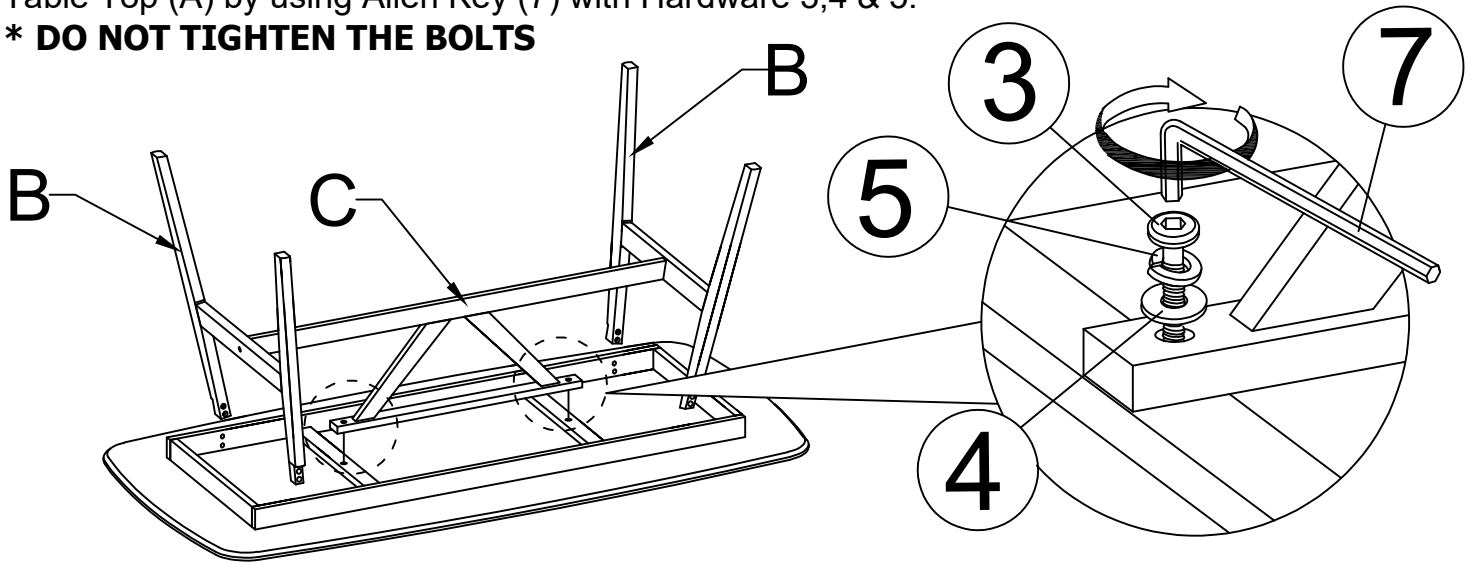
*** DO NOT TIGHTEN THE BOLTS**



STEP 3:

Place the Table Top (A) upside down on a flat and clean surface. Assemble Center Rail (C) to Table Top (A) by using Allen Key (7) with Hardware 3,4 & 5.

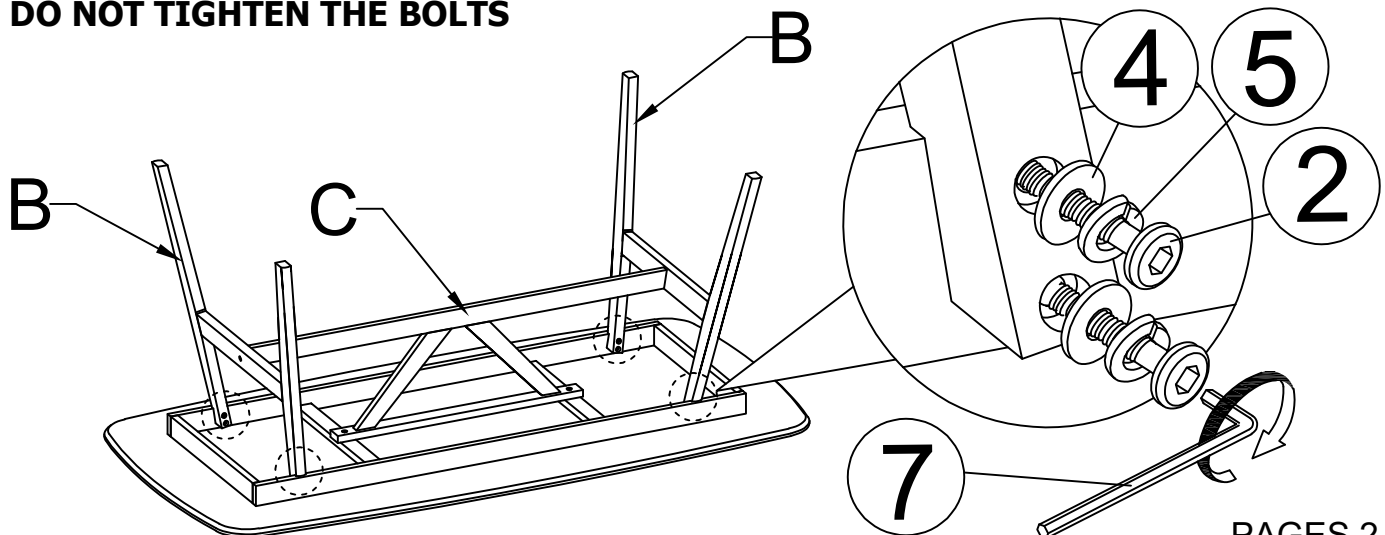
*** DO NOT TIGHTEN THE BOLTS**



STEP 4:

Tighten the Table Leg (B) to the Table Top (A) by using Allen Key (7) with hardware 2,4 & 5.

*** DO NOT TIGHTEN THE BOLTS**



STEP 5:

To level the table, place the table right side up on a flat surface and tighten the bolts with Allen Key (7). Then cover the bolt holes on the Table Legs (B) with Wood Button (8) for a finished appearance.

*** DO NOT OVERTIGHTEN THE BOLTS**

