



INDEX PAGE for 12” Wide Grates / Covers

↕- Click on “Item ID” to go to grate page, “Back to Index” will return you to this page.

P12-ADA-USA	ADA Compliant Grate, Ductile Iron
P12-BDC	Slotted Grate, Black Acid Resistant Epoxy Coated Ductile Iron
P12-BDE	Slotted Grate, Black Acid Resistant Epoxy Coated Ductile Iron
P12-BDE-USA	Slotted Grate, Black Acid Resistant Epoxy Coated Ductile Iron
P12-BDF	Slotted Grate, Black Acid Resistant Epoxy Coated Ductile Iron
P12-BG	Slotted Bar Grate, Galvanized Ductile Iron
P12-BG-L	Slotted Bar Grate, Galvanized Steel
P12-DC	Solid Cover, Ductile Iron
P12-DC-G	Solid Cover, Galvanized Ductile Iron
P12-DGC	Slotted Grate, Ductile Iron
P12-DGC-USA	Slotted Grate, Ductile Iron
P12-DGE	Slotted Grate, Ductile Iron
P12-DGE-USA	Slotted Grate, Ductile Iron
P12-DGF	Slotted Grate, Ductile Iron
P12-FG	Fabricated Slotted Grate, Galvanized Steel
P12-FS	Fabricated Slotted Grate, Stainless Steel
P12-GADA-USA	ADA Compliant Grate, Galvanized Ductile Iron
P12-GDC	Slotted Grate, Galvanized Ductile Iron
P12-GDC-USA	Slotted Grate, Galvanized Ductile Iron
P12-GDE	Slotted Grate, Galvanized Ductile Iron
P12-GDE-USA	Slotted Grate, Galvanized Ductile Iron
P12-GDF	Slotted Grate, Galvanized Ductile Iron
P12-GG	Slotted Grate, Vinylester Fiberglass
P12-GHPD	Heel-Proof Longitudinal Grate, Galvanized Ductile Iron
P12-GHPDE	Heel-Proof Longitudinal Grate, Galvanized Ductile Iron
P12-GHPDE-USA	Heel-Proof Longitudinal Grate, Galvanized Ductile Iron
P12-HPDE	Heel-Proof Longitudinal Grate, Ductile Iron
P12-HPDE-USA	Heel-Proof Longitudinal Grate, Ductile Iron
P12-PG	Fabricated Perforated Grate, Galvanized Steel
P12-PGR	Fabricated Raised Perforated Grate, Galvanized Steel
P12-PS	Fabricated Perforated Grate, Stainless Steel
P12-PSR	Fabricated Raised Perforated Grate, Stainless Steel
P12-RFGC	Fabricated Reinforced Slotted Grate, Galvanized Steel
P12-RFSC	Fabricated Reinforced Slotted Grate, Stainless Steel
P12-RPGC	Fabricated Reinforced Perforated Grate, Galvanized Steel
P12-RPGR	Fabricated Reinforced Raised Perforated Grate, Galvanized Steel
P12-RPGRC	Fabricated Reinforced Raised Perforated Grate, Galvanized Steel
P12-RPSC	Fabricated Reinforced perforated Grate, Stainless Steel
P12-RPSR	Fabricated Reinforced Raised Perforated Grate, Stainless Steel
P12-RPSRC	Fabricated Reinforced Raised Perforated Grate, Stainless Steel
P12-SBG-L	Slotted Bar Grate, Stainless Steel
P12-SBGE	Slotted Bar Grate, Stainless Steel
P12-SWGB-AS	Slip Resistant Wire Bar Grate, Stainless Steel
P12-SSCD	Reinforced Cover, Stainless Steel

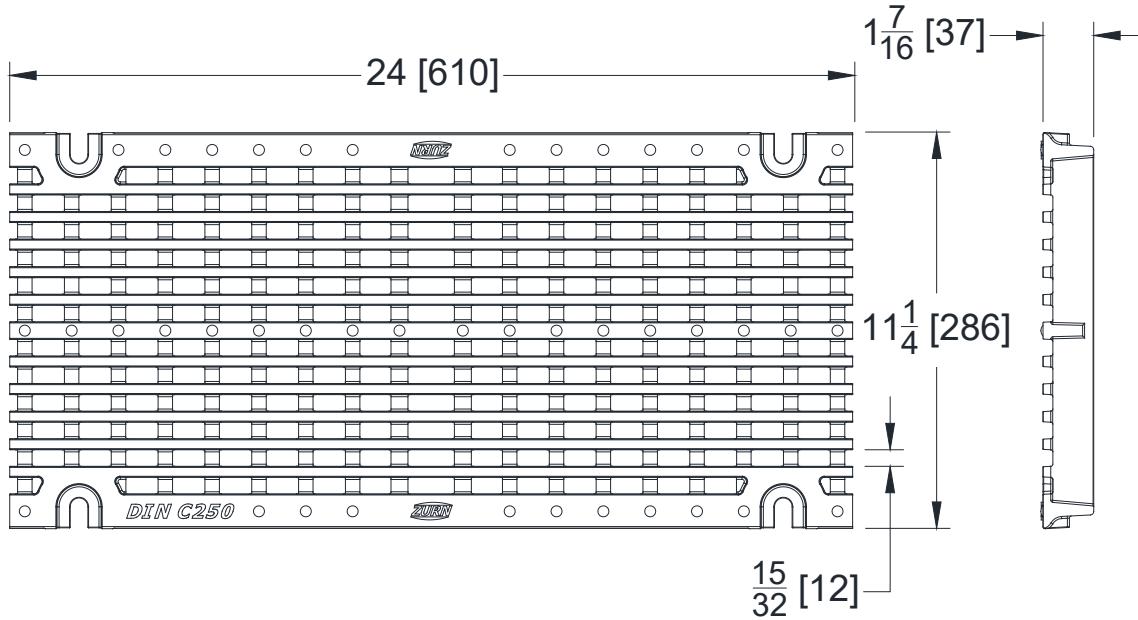


P12-ADA-USA
12 [305] WIDE DOMESTIC GRATE

Design and Dimensional Data (inches and [mm]) are Subject to Manufacturing Tolerances and Change Without Notice

[Back to Index](#)

Please Check ✓	Item No.	Part Number	Item I.D.
—	1	84257	P12-ADA-USA



ENGINEERING SPECIFICATION: ZURN P12-ADA-USA

Ductile Iron Grate, is 11-1/4" [286mm] wide X 23-15/16" [608mm] long, weighing 15.6 lbs/ft [23kg/m]. The grate has an open area of 65.2 in²/ft [1380 cm²/m], DIN Rating of C, ANSI Rating of Heavy-Duty, ADA compliant, and H-20 Load Rated. Ductile Iron conforms to ASTM A536 Grade 80-55-06.



MADE IN THE USA

ADA-USA - ADA Compliant	
Material:	Ductile Iron
DIN Rating:	Class C
Weight:	15.6 lbs/ft [23 kg/m]
Open Area:	65.2 in ² /ft [1380 cm ² /m]
ANSI Rating:	Heavy-Duty
Application:	Roadway, ADA
Slot Width/Hole Size:	15/32" [12 mm]
ADA:	Yes
H-20:	Yes
FAA:	No

⚠ WARNING: Cancer and Reproductive Harm - www.P65Warnings.ca.gov

⚠ ADVERTENCIA: Cáncer y daño reproductivo - www.P65Warnings.ca.gov

⚠ AVERTISSEMENT: Cancer et effets néfastes sur la reproduction - www.P65Warnings.ca.gov

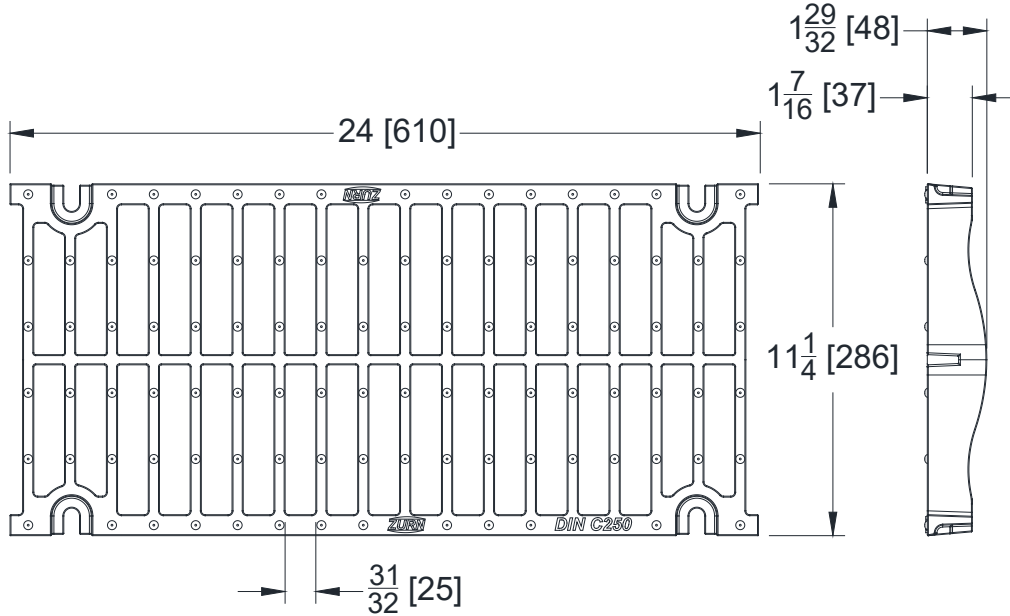


P12-BDC
12 [305] WIDE GRATE

Design and Dimensional Data (inches and [mm]) are Subject to Manufacturing Tolerances and Change Without Notice

[Back to Index](#)

Please Check ✓	Item No.	Part Number	Item I.D.
—	2	84225	P12-BDC



ENGINEERING SPECIFICATION: ZURN P12-BDC

Black Acid Resistant Epoxy Coated Ductile Iron Slotted Grate, is 11-1/4" [286mm] wide X 23-15/16" [608mm] long, weighing 14.7 lbs/ft [22 kg/m]. The grate has an open area of 86.7 in²/ft [1835 cm²/m], DIN Rating of C, ANSI Rating of Heavy-Duty, and H-20 Load Rated. Ductile Iron conforms to ASTM A536 Grade 80-55-06.

BDC - Black Acid Resistant Ductile	
Material:	Ductile Iron
DIN Rating:	Class C
Weight:	14.7 lbs/ft [22 kg/m]
Open Area:	86.7 in ² /ft [1835 cm ² /m]
ANSI Rating:	Heavy-Duty
Application:	Vehicle & Truck
Slot Width/Hole Size:	63/64" [25 mm]
ADA:	No
H-20:	Yes
FAA:	No

⚠ WARNING: Cancer and Reproductive Harm - www.P65Warnings.ca.gov

⚠ ADVERTENCIA: Cáncer y daño reproductivo - www.P65Warnings.ca.gov

⚠ AVERTISSEMENT: Cancer et effets néfastes sur la reproduction - www.P65Warnings.ca.gov

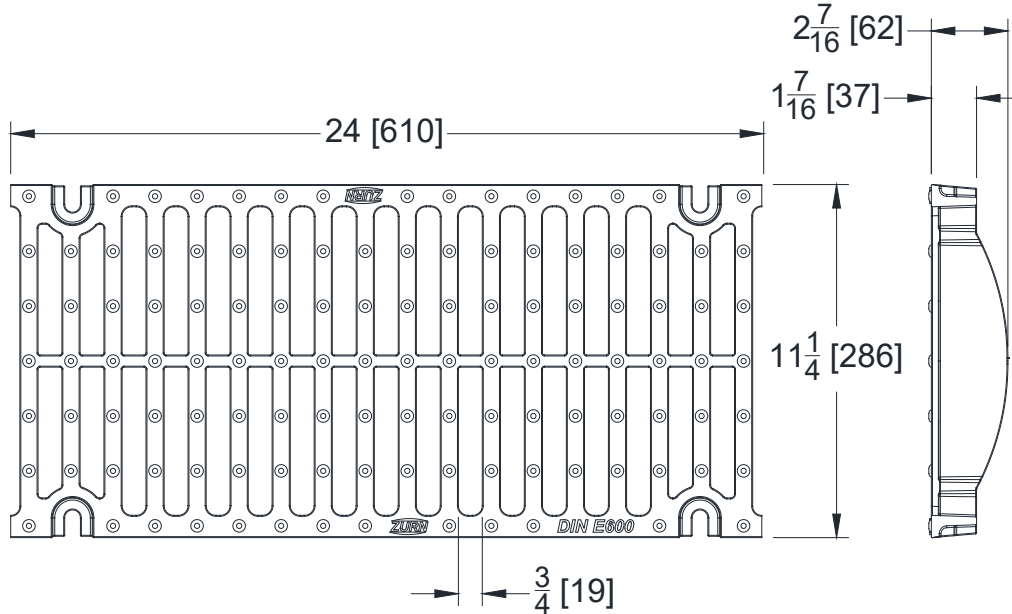


P12-BDE
12 [305] WIDE GRATE

Design and Dimensional Data (inches and [mm]) are Subject to Manufacturing Tolerances and Change Without Notice

[Back to Index](#)

Please Check ✓	Item No.	Part Number	Item I.D.
—	3	82038	P12-BDE



ENGINEERING SPECIFICATION: ZURN P12-BDE

Black Acid Resistant Epoxy Coated Ductile Iron Slotted Grate, is 11-1/4" [286mm] wide X 23-15/16" [608mm] long, weighing 19.8 lbs/ft [29 kg/m]. The grate has an open area of 60.3 in²/ft [1276 cm²/m], DIN Rating of E, ANSI Rating of Special-Duty, H-20 Load Rated, and FAA Load Rated. Ductile Iron conforms to ASTM A536 Grade 80-55-06.

BDE - Black Acid Resistant Ductile	
Material:	Ductile Iron
DIN Rating:	Class E
Weight:	19.8 lbs/ft [29 kg/m]
Open Area:	60.3 in ² /ft [1276 cm ² /m]
ANSI Rating:	Special-Duty
Application:	Hard Wheel & Truck
Slot Width/Hole Size:	49/64" [19 mm]
ADA:	No
H-20:	Yes
FAA:	Yes

- ⚠ **WARNING:** Cancer and Reproductive Harm - www.P65Warnings.ca.gov
- ⚠ **ADVERTENCIA:** Cáncer y daño reproductivo - www.P65Warnings.ca.gov
- ⚠ **AVERTISSEMENT:** Cancer et effets néfastes sur la reproduction - www.P65Warnings.ca.gov

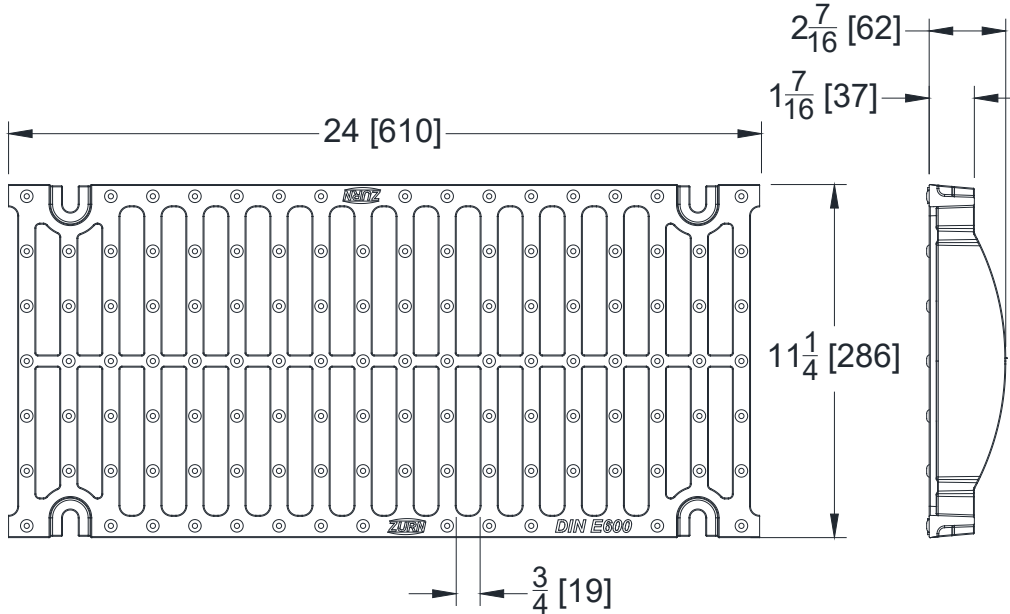


P12-BDE-USA
12 [305] WIDE DOMESTIC GRATE

Design and Dimensional Data (inches and [mm]) are Subject to Manufacturing Tolerances and Change Without Notice

[Back to Index](#)

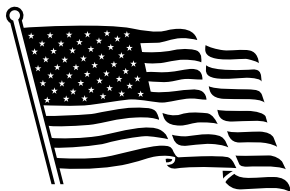
Please Check ✓	Item No.	Part Number	Item I.D.
___	4	84220	P12-BDE-USA



ENGINEERING SPECIFICATION: ZURN P12-BDE-USA

Black Acid Resistant Epoxy Coated Ductile Iron Slotted Grate, is 11-1/4" [286mm] wide X 23-15/16" [608mm] long, weighing 19.5 lbs/ft [29 kg/m]. The grate has an open area of 60.3 in²/ft [1276 cm²/m], DIN Rating of E, ANSI Rating of Special-Duty, H-20 Load Rated, and FAA Load Rated. Ductile Iron conforms to ASTM A536 Grade 80-55-06.

BDE-USA - Black Acid Resistant Ductile	
Material:	Ductile Iron
DIN Rating:	Class E
Weight:	19.5 lbs/ft [29 kg/m]
Open Area:	60.3 in ² /ft [1276 cm ² /m]
ANSI Rating:	Special-Duty
Application:	Hard Wheel & Trucks
Slot Width/Hole Size:	49/64" [19 mm]
ADA:	No
H-20:	Yes
FAA:	Yes



MADE IN THE USA

- ⚠ **WARNING:** Cancer and Reproductive Harm - www.P65Warnings.ca.gov
- ⚠ **ADVERTENCIA:** Cáncer y daño reproductivo - www.P65Warnings.ca.gov
- ⚠ **AVERTISSEMENT:** Cancer et effets néfastes sur la reproduction - www.P65Warnings.ca.gov

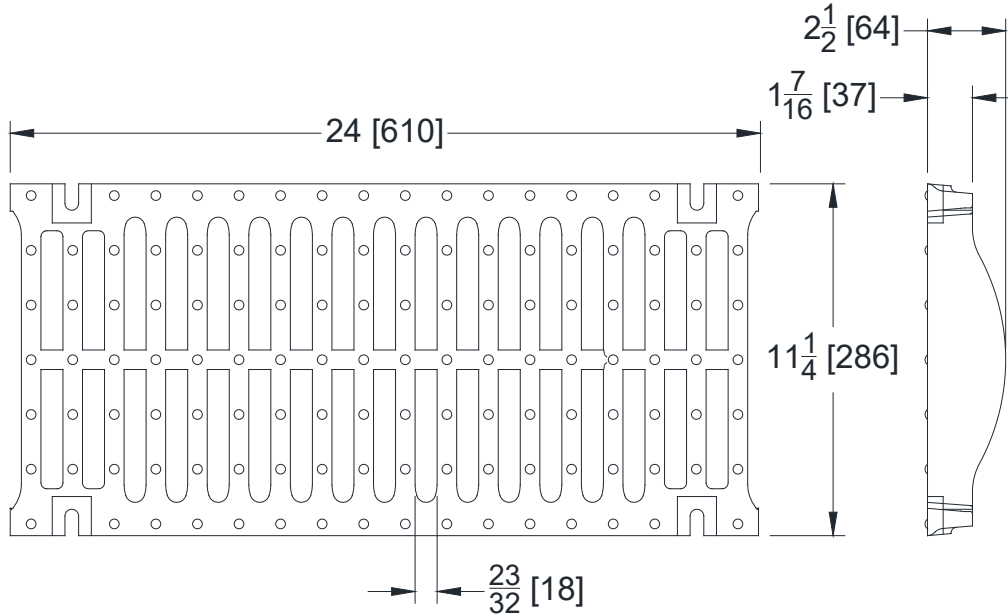


P12-BDF
12 [305] WIDE GRATE

Design and Dimensional Data (inches and [mm]) are Subject to Manufacturing Tolerances and Change Without Notice

[Back to Index](#)

Please Check ✓	Item No.	Part Number	Item I.D.
—	5	65868	P12-BDF



ENGINEERING SPECIFICATION: ZURN P12-BDF

Black Acid Resistant Epoxy Coated Ductile Iron Slotted Grate, is 11-1/4" [286mm] wide X 24" [610mm] long, weighing 26 lbs/ft [39 kg/m]. The grate has an open area of 54 in²/ft [1143 cm²/m], DIN Rating of F, ANSI Rating of Special-Duty, H-20 Load Rated, and FAA Load Rated. Ductile Iron conforms to ASTM A536 Grade 80-55-06.

BDF - Black Acid Resistant Ductile	
Material:	Ductile Iron
DIN Rating:	Class F
Weight:	26 lbs/ft [39 kg/m]
Open Area:	54 in ² /ft [1143 cm ² /m]
ANSI Rating:	Special-Duty
Application:	Dynamic Loads
Slot Width/Hole Size:	45/64" [18 mm]
ADA:	No
H-20:	Yes
FAA:	Yes

⚠ WARNING: Cancer and Reproductive Harm - www.P65Warnings.ca.gov

⚠ ADVERTENCIA: Cáncer y daño reproductivo - www.P65Warnings.ca.gov

⚠ AVERTISSEMENT: Cancer et effets néfastes sur la reproduction - www.P65Warnings.ca.gov

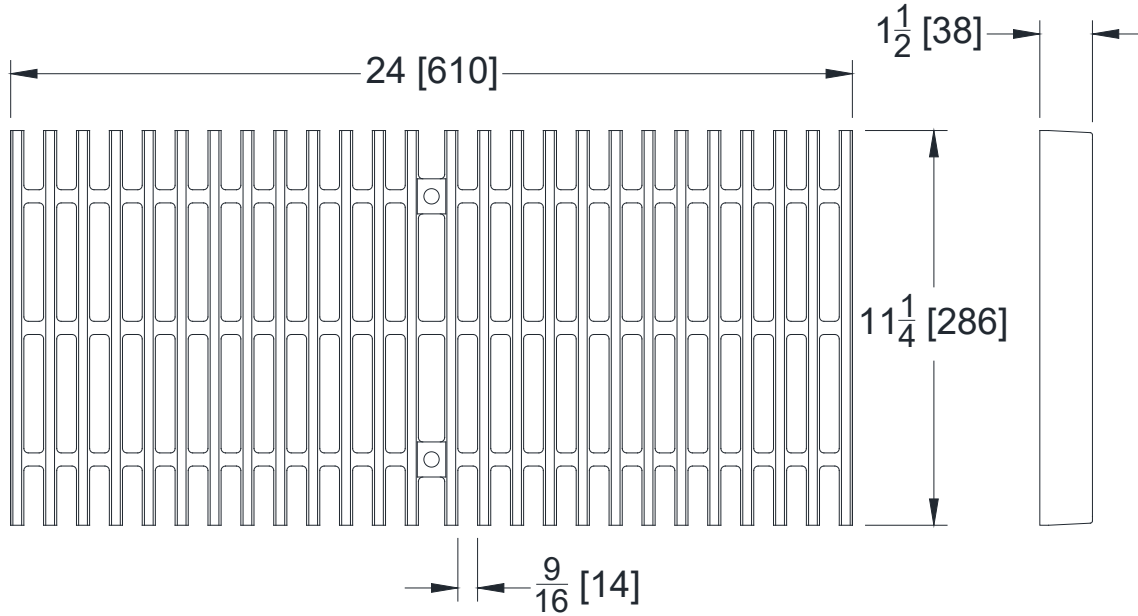


P12-BG
12 [305] WIDE GRATE

Design and Dimensional Data (inches and [mm]) are Subject to Manufacturing Tolerances and Change Without Notice

[Back to Index](#)

Please Check ✓	Item No.	Part Number	Item I.D.
—	6	62230	P12-BG



ENGINEERING SPECIFICATION: ZURN P12-BG

Galvanized Ductile Iron Slotted Bar Grate, is 11-1/4" [286mm] wide X 24" [610mm] long, weighing 19.7 lbs/ft [29 kg/m]. The grate has an open area of 73.9 in²/ft [1564 cm²/m], DIN Rating of B, and an ANSI Rating of Medium-Duty. Ductile Iron conforms to ASTM A536 Grade 80-55-06. Galvanizing (hot dip) conforms to ASTM specification A123.

BG - Galvanized Bar Grate	
Material:	Galvanized Ductile Iron
DIN Rating:	Class B
Weight:	19.7 lbs/ft [29 kg/m]
Open Area:	73.9 in ² /ft [1564 cm ² /m]
ANSI Rating:	Medium-Duty
Application:	Sidewalks, Light Traffic
Slot Width/Hole Size:	9/16" [14 mm]
ADA:	No
H-20:	No
FAA:	No

- ⚠ WARNING:** Cancer and Reproductive Harm - www.P65Warnings.ca.gov
- ⚠ ADVERTENCIA:** Cáncer y daño reproductivo - www.P65Warnings.ca.gov
- ⚠ AVERTISSEMENT:** Cancer et effets néfastes sur la reproduction - www.P65Warnings.ca.gov

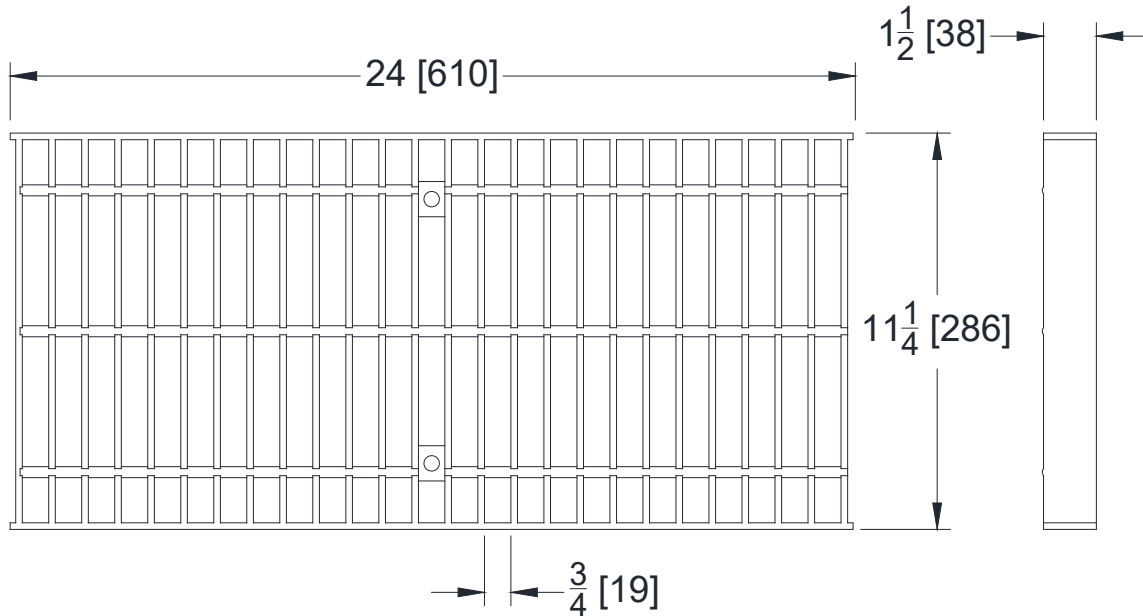


P12-BG-L
12 [305] WIDE DOMESTIC GRATE

Design and Dimensional Data (inches and [mm]) are Subject to Manufacturing Tolerances and Change Without Notice

[Back to Index](#)

Please Check ✓	Item No.	Part Number	Item I.D.
—	7	94015	P12-BG-L



ENGINEERING SPECIFICATION: ZURN P12-BG-L

Galvanized Steel Slotted Bar Grate, is 11-1/4" [286mm] wide X 24" [610mm] long, weighing 13.9 lbs/ft [21 kg/m]. The grate has an open area of 101.9 in²/ft [2157 cm²/m], DIN Rating of D, and ANSI Rating of Heavy-Duty. Galvanizing (hot dip) conforms to ASTM specification A123 and Carbon Steel conforms to ASTM specification A36.



MADE IN THE USA

BG-L - Galvanized Bar Grate	
Material:	Galvanized Steel
DIN Rating:	Class D
Weight:	13.9 lbs/ft [21 kg/m]
Open Area:	101.9 in ² /ft [2157 cm ² /m]
ANSI Rating:	Heavy-Duty
Application:	Hardwheel & Trucks
Slot Width/Hole Size:	3/4" [19 mm]
ADA:	No
H-20:	Yes
FAA:	No

⚠ WARNING: Cancer and Reproductive Harm - www.P65Warnings.ca.gov

⚠ ADVERTENCIA: Cáncer y daño reproductivo - www.P65Warnings.ca.gov

⚠ AVERTISSEMENT: Cancer et effets néfastes sur la reproduction - www.P65Warnings.ca.gov

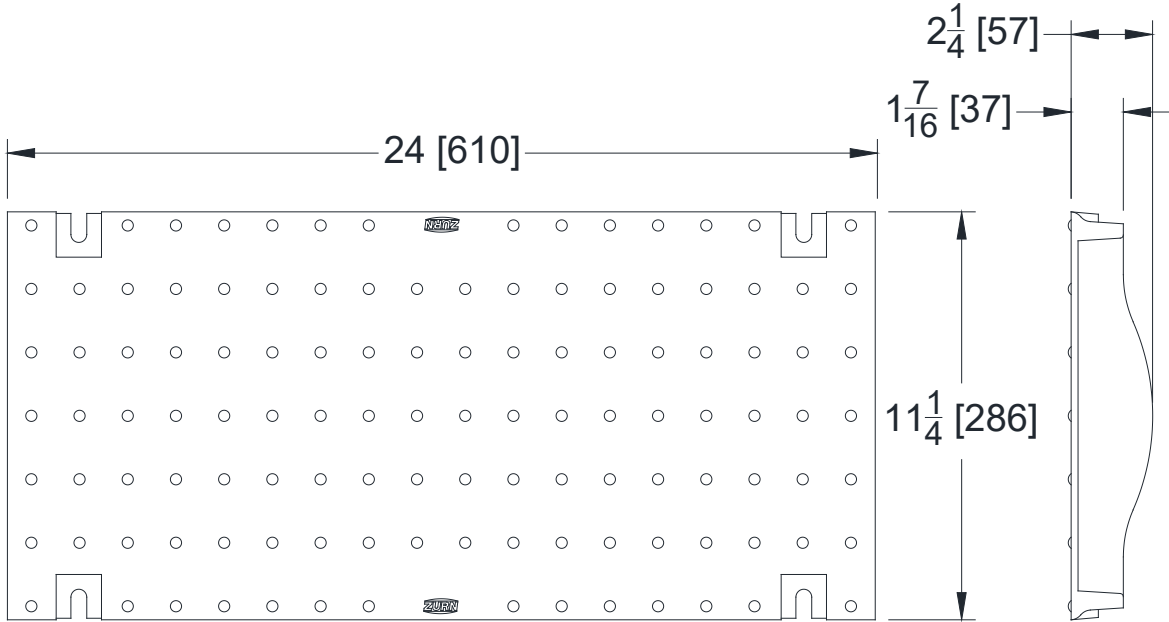


P12-DC
12 [305] WIDE COVER

Design and Dimensional Data (inches and [mm]) are Subject to Manufacturing Tolerances and Change Without Notice

[Back to Index](#)

Please Check ✓	Item No.	Part Number	Item I.D.
—	8	66352	P12-DC



ENGINEERING SPECIFICATION: ZURN P12-DC

Ductile Iron Solid Cover, is 11-1/4" [286mm] wide X 23-15/16" [608mm] long, weighing 27.9 lbs/ft [42 kg/m]. The solid ductile iron cover has a DIN Rating of E, ANSI Rating of Special-Duty, ADA Compliant, H-20 Load Rated and FAA Load Rated. Ductile Iron conforms to ASTM A536 Grade 80-55-06.

DC - Solid Ductile Cover	
Material:	Ductile Iron
DIN Rating:	Class E
Weight:	27.9 lbs/ft [42 kg/m]
Open Area:	N/A
ANSI Rating:	Special-Duty
Application:	Hard Wheel Loads
Slot Width/Hole Size:	N/A
ADA:	Yes
H-20:	Yes
FAA:	Yes

⚠ WARNING: Cancer and Reproductive Harm - www.P65Warnings.ca.gov

⚠ ADVERTENCIA: Cáncer y daño reproductivo - www.P65Warnings.ca.gov

⚠ AVERTISSEMENT: Cancer et effets néfastes sur la reproduction - www.P65Warnings.ca.gov

Zurn Industries, LLC | Specification Drainage Operation
1801 Pittsburgh Avenue, Erie, PA 16502, Ph. 855.663.9876

In Canada | Zurn Industries Limited
7900 Goreway Drive, Unit 10, Brampton, Ontario L6T 5W6, Ph. 877.892.5216

www.zurn.com

Rev. AD
Date: 05/20/25
C.N. No. 146570
Patent zurn.com/patents
Prod. | Dwg. No. FT649

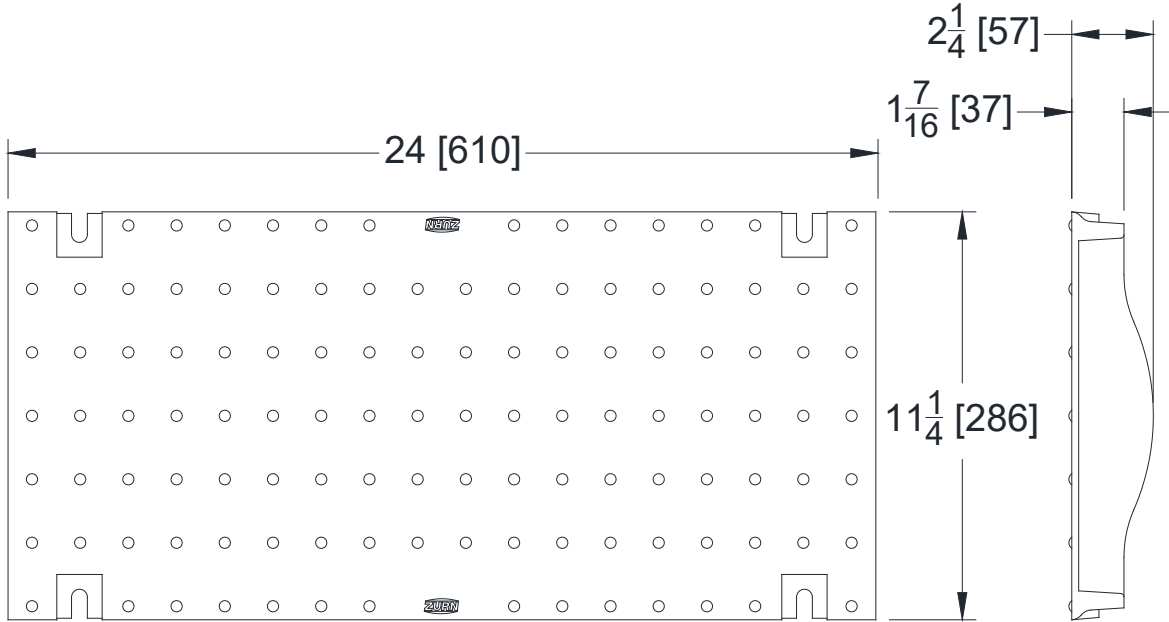


P12-DC-G
12 [305] WIDE COVER

Design and Dimensional Data (inches and [mm]) are Subject to Manufacturing Tolerances and Change Without Notice

[Back to Index](#)

Please Check ✓	Item No.	Part Number	Item I.D.
___	9	66352	P12-DC-G



ENGINEERING SPECIFICATION: ZURN P12-DC-G

Galvanized Ductile Iron Solid Cover, is 11-1/4" [286mm] wide X 23-15/16" [608mm] long, weighing 27.9 lbs/ft [42 kg/m]. The solid galvanized ductile iron cover has a DIN Rating of E, ANSI Rating of Special-Duty, ADA Compliant, H-20 Load Rated and FAA Load Rated. Ductile Iron conforms to ASTM A536 Grade 80-55-06. Galvanizing (hot dip) conforms to ASTM specification A123.

DC-G - Solid Galvanized Ductile Cover	
Material:	Galvanized Ductile Iron
DIN Rating:	Class E
Weight:	27.9 lbs/ft [42 kg/m]
Open Area:	N/A
ANSI Rating:	Special-Duty
Application:	Hard Wheel Loads
Slot Width/Hole Size:	N/A
ADA:	Yes
H-20:	Yes
FAA:	Yes

- ⚠ WARNING:** Cancer and Reproductive Harm - www.P65Warnings.ca.gov
- ⚠ ADVERTENCIA:** Cáncer y daño reproductivo - www.P65Warnings.ca.gov
- ⚠ AVERTISSEMENT:** Cancer et effets néfastes sur la reproduction - www.P65Warnings.ca.gov

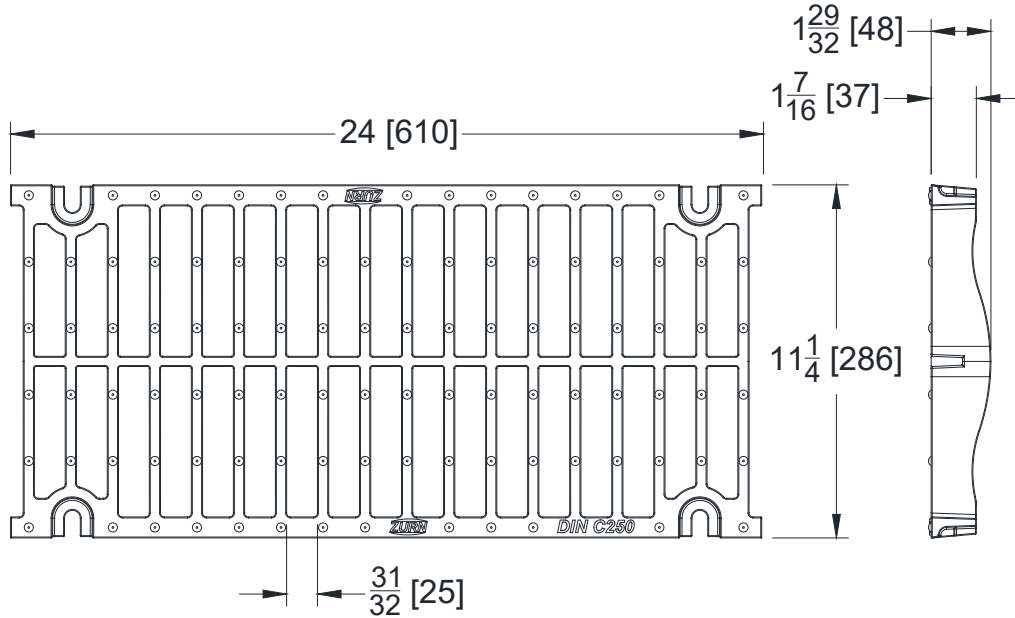


P12-DGC
12 [305] WIDE GRATE

Design and Dimensional Data (inches and [mm]) are Subject to Manufacturing Tolerances and Change Without Notice

[Back to Index](#)

Please Check ✓	Item No.	Part Number	Item I.D.
___	10	84225	P12-DGC



ENGINEERING SPECIFICATION: ZURN P12-DGC

Ductile Iron Slotted Grate, is 11-1/4" [286mm] wide X 23-15/16" [608mm] long, weighing 14.7 lbs/ft [22 kg/m]. The grate has an open area of 86.7 in²/ft [1835cm²/m], DIN Rating of C, ANSI Rating of Heavy-Duty, and H-20 Load Rated. Ductile Iron conforms to ASTM A536 Grade 80-55-06.

DGC - Ductile Iron	
Material:	Ductile Iron
DIN Rating:	Class C
Weight:	14.7 lbs/ft [22 kg/m]
Open Area:	86.7 in ² /ft [1835 cm ² /m]
ANSI Rating:	Heavy-Duty
Application:	Vehicle & Truck
Slot Width/Hole Size:	63/64" [25 mm]
ADA:	No
H-20:	Yes
FAA:	No

⚠ WARNING: Cancer and Reproductive Harm - www.P65Warnings.ca.gov

⚠ ADVERTENCIA: Cáncer y daño reproductivo - www.P65Warnings.ca.gov

⚠ AVERTISSEMENT: Cancer et effets néfastes sur la reproduction - www.P65Warnings.ca.gov

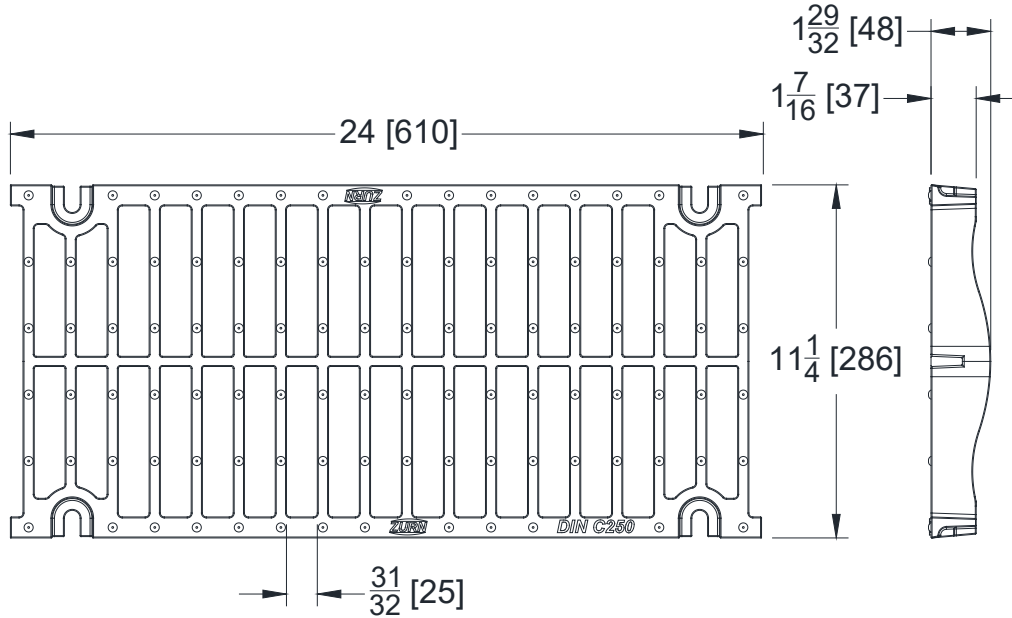


P12-DGC-USA
12 [305] WIDE DOMESTIC GRATE

Design and Dimensional Data (inches and [mm]) are Subject to Manufacturing Tolerances and Change Without Notice

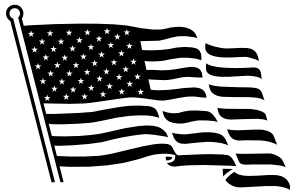
[Back to Index](#)

Please Check ✓	Item No.	Part Number	Item I.D.
___	11	84225	P12-DGC-USA



ENGINEERING SPECIFICATION: ZURN P12-DGC-USA

Ductile Iron Slotted Grate, is 11-1/4" [286mm] wide X 23-15/16" [608mm] long, weighing 14.7 lbs/ft [22 kg/m]. The grate has an open area of 86.7 in²/ft [1835cm²/m], DIN Rating of C, ANSI Rating of Heavy-Duty, and H-20 Load Rated. Ductile Iron conforms to ASTM A536 Grade 80-55-06.



MADE IN THE USA

DGC-USA - Ductile Iron	
Material:	Ductile Iron
DIN Rating:	Class C
Weight:	14.7 lbs/ft [22 kg/m]
Open Area:	86.7 in ² /ft [1835 cm ² /m]
ANSI Rating:	Heavy-Duty
Application:	Vehicle & Truck
Slot Width/Hole Size:	63/64" [25 mm]
ADA:	No
H-20:	Yes
FAA:	No

⚠ WARNING: Cancer and Reproductive Harm - www.P65Warnings.ca.gov

⚠ ADVERTENCIA: Cáncer y daño reproductivo - www.P65Warnings.ca.gov

⚠ AVERTISSEMENT: Cancer et effets néfastes sur la reproduction - www.P65Warnings.ca.gov

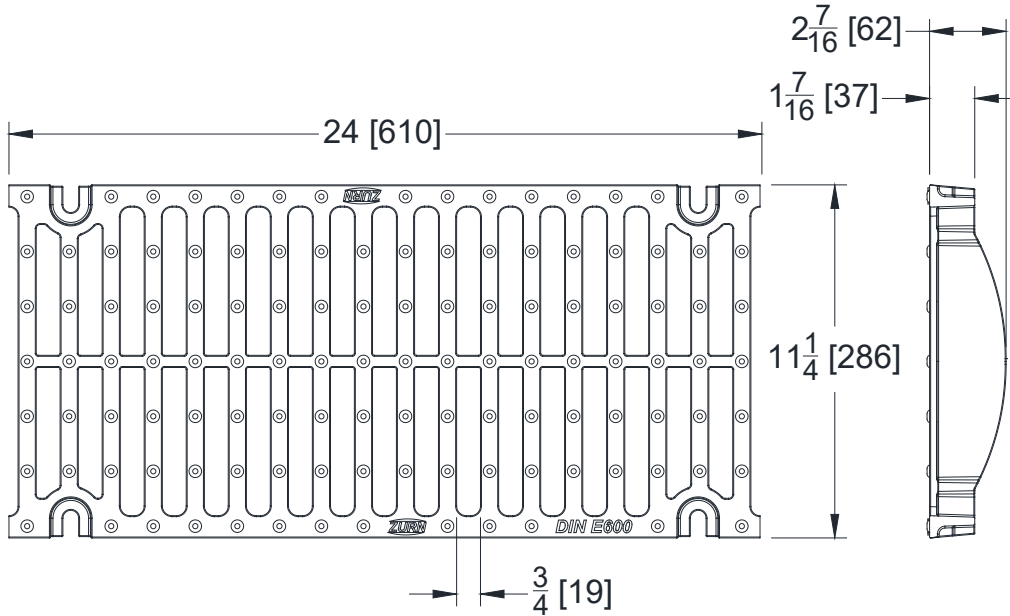


P12-DGE
12 [305] WIDE GRATE

Design and Dimensional Data (inches and [mm]) are Subject to Manufacturing Tolerances and Change Without Notice

[Back to Index](#)

Please Check ✓	Item No.	Part Number	Item I.D.
—	12	82038	P12-DGE



ENGINEERING SPECIFICATION: ZURN P12-DGE

Ductile Iron Slotted Grate, is 11-1/4" [286mm] wide X 23-15/16" [608mm] long, weighing 19.8 lbs/ft [29 kg/m]. The grate has an open area of 60.3 in²/ft [1276 cm²/m], DIN Rating of E, ANSI Rating of Special-Duty, H-20 Load Rated, and FAA Load Rated. Ductile Iron conforms to ASTM A536 Grade 80-55-06.

DGE - Slotted Ductile Iron	
Material:	Ductile Iron
DIN Rating:	Class E
Weight:	19.8 lbs/ft [29 kg/m]
Open Area:	60.3 in ² /ft [1276 cm ² /m]
ANSI Rating:	Special-Duty
Application:	Hard Wheel & Trucks
Slot Width/Hole Size:	49/64" [19 mm]
ADA:	No
H-20:	Yes
FAA:	Yes

⚠ WARNING: Cancer and Reproductive Harm - www.P65Warnings.ca.gov

⚠ ADVERTENCIA: Cáncer y daño reproductivo - www.P65Warnings.ca.gov

⚠ AVERTISSEMENT: Cancer et effets néfastes sur la reproduction - www.P65Warnings.ca.gov

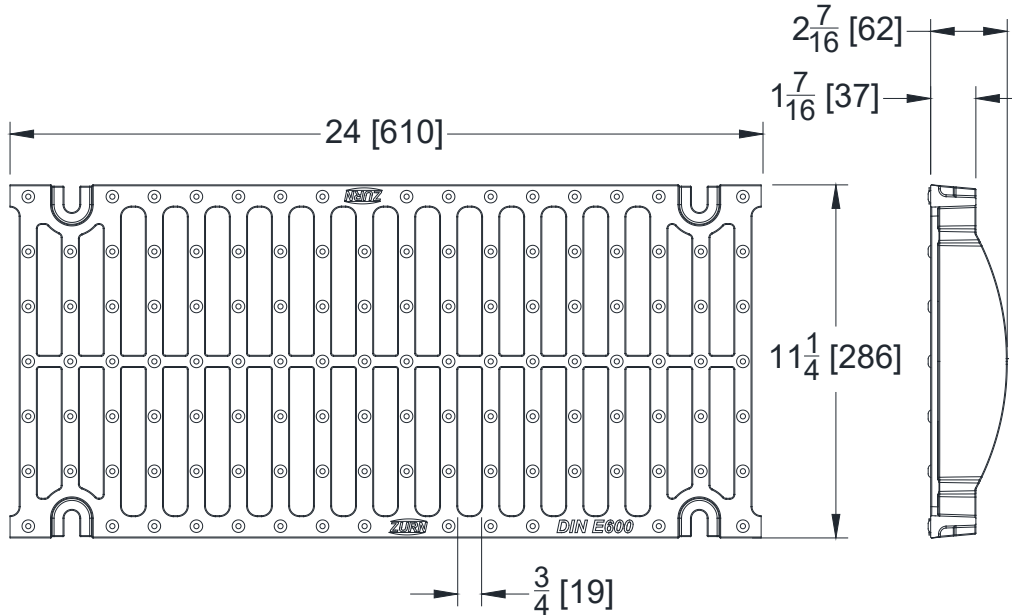


P12-DGE-USA
12 [305] WIDE DOMESTIC GRATE

Design and Dimensional Data (inches and [mm]) are Subject to Manufacturing Tolerances and Change Without Notice

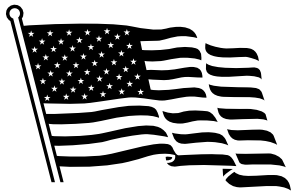
[Back to Index](#)

Please Check ✓	Item No.	Part Number	Item I.D.
___	13	84220	P12-DGE-USA



ENGINEERING SPECIFICATION: ZURN P12-DGE-USA

Ductile Iron Slotted Grate, is 11-1/4" [286mm] wide X 23-15/16" [608mm] long, weighing 19.5 lbs/ft [29 kg/m]. The grate has an open area of 60.3 in²/ft [1276 cm²/m], DIN Rating of E, ANSI Rating of Special-Duty, H-20 Load Rated, and FAA Load Rated. Ductile Iron conforms to ASTM A536 Grade 80-55-06.



MADE IN THE USA

DGE-USA - Ductile Iron	
Material:	Ductile Iron
DIN Rating:	Class E
Weight:	19.5 lbs/ft [29 kg/m]
Open Area:	60.3 in ² /ft [1276 cm ² /m]
ANSI Rating:	Special-Duty
Application:	Hard Wheels & Truck
Slot Width/Hole Size:	49/64" [19 mm]
ADA:	No
H-20:	Yes
FAA:	Yes

⚠ WARNING: Cancer and Reproductive Harm - www.P65Warnings.ca.gov

⚠ ADVERTENCIA: Cáncer y daño reproductivo - www.P65Warnings.ca.gov

⚠ AVERTISSEMENT: Cancer et effets néfastes sur la reproduction - www.P65Warnings.ca.gov

Zurn Industries, LLC | Specification Drainage Operation
1801 Pittsburgh Avenue, Erie, PA 16502, Ph. 855.663.9876

In Canada | Zurn Industries Limited
7900 Goreway Drive, Unit 10, Brampton, Ontario L6T 5W6, Ph. 877.892.5216

www.zurn.com

Rev. AD
Date: 05/20/25
C.N. No. 146570
Patent zurn.com/patents
Prod. | Dwg. No. FT649

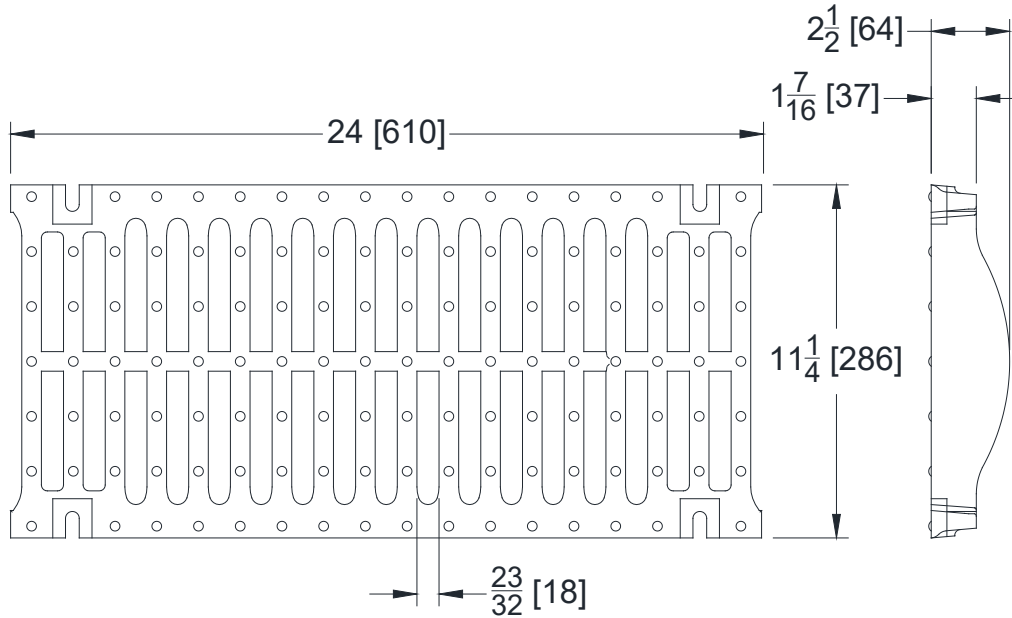


P12-DGF
12 [305] WIDE GRATE

Design and Dimensional Data (inches and [mm]) are Subject to Manufacturing Tolerances and Change Without Notice

[Back to Index](#)

Please Check ✓	Item No.	Part Number	Item I.D.
___	14	65868	P12-DGF



ENGINEERING SPECIFICATION: ZURN P12-DGF

Ductile Iron Slotted Grate, is 11-1/4" [286mm] wide X 24" [610mm] long, weighing 26 lbs/ft [39 kg/m]. The grate has an open area of 54 in²/ft [1143 cm²/m], DIN Rating of F, ANSI Rating of Special-Duty, H-20 Load Rated, and FAA Load Rated. Ductile Iron conforms to ASTM A536 Grade 80-55-06.

DGF - Ductile Iron	
Material:	Ductile Iron
DIN Rating:	Class F
Weight:	26 lbs/ft [39 kg/m]
Open Area:	54 in ² /ft [1143 cm ² /m]
ANSI Rating:	Special-Duty
Application:	Dunamic Loads
Slot Width/Hole Size:	45/64" [18 mm]
ADA:	No
H-20:	Yes
FAA:	Yes

⚠ WARNING: Cancer and Reproductive Harm - www.P65Warnings.ca.gov

⚠ ADVERTENCIA: Cáncer y daño reproductivo - www.P65Warnings.ca.gov

⚠ AVERTISSEMENT: Cancer et effets néfastes sur la reproduction - www.P65Warnings.ca.gov

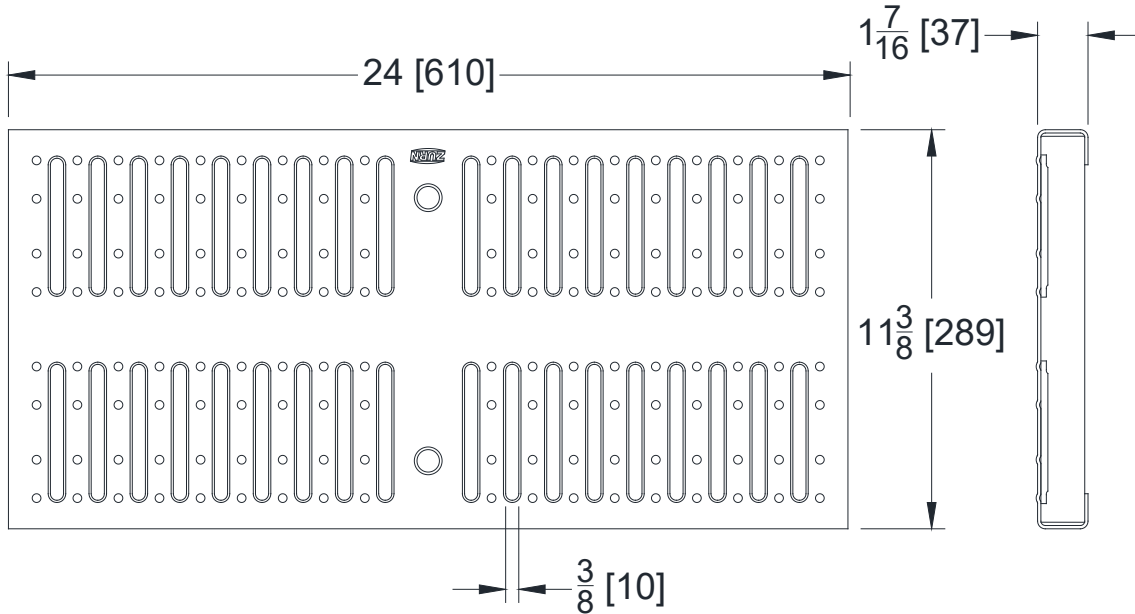


P12-FG
12 [305] WIDE DOMESTIC GRATE

Design and Dimensional Data (inches and [mm]) are Subject to Manufacturing Tolerances and Change Without Notice

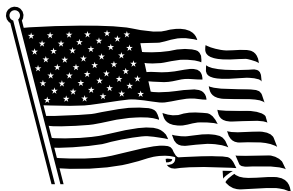
[Back to Index](#)

Please Check ✓	Item No.	Part Number	Item I.D.
—	15	61019	P12-FG



ENGINEERING SPECIFICATION: ZURN P12-FG

Fabricated Galvanized Steel, is 11-3/8" [289mm] wide X 24" [610mm] long, weighing 7.7 lbs./ft [11 kg/m]. The grate has an open area of 25.6 in²/ft [542 cm²/m], DIN Rating of A, and ANSI Rating of Light-Duty. Carbon Steel conforms to ASTM A36. Galvanized Skin conforms to ASTM Specification A653, Galvanized Coating designation G60, minimum spangle. For ADA compliance elongated openings must be place perpendicular to the dominant direction of travel



MADE IN THE USA

FG - Fabricated Galvanized	
Material:	Galvanized Steel
DIN Rating:	Class A
Weight:	7.7 lbs/ft [11 kg/m]
Open Area:	25.6 in ² /ft [542 cm ² /m]
ANSI Rating:	Light-Duty
Application:	Pedestrian
Slot Width/Hole Size:	3/8" [10 mm]
ADA:	Yes
H-20:	No
FAA:	No

- ⚠ WARNING:** Cancer and Reproductive Harm - www.P65Warnings.ca.gov
- ⚠ ADVERTENCIA:** Cáncer y daño reproductivo - www.P65Warnings.ca.gov
- ⚠ AVERTISSEMENT:** Cancer et effets néfastes sur la reproduction - www.P65Warnings.ca.gov

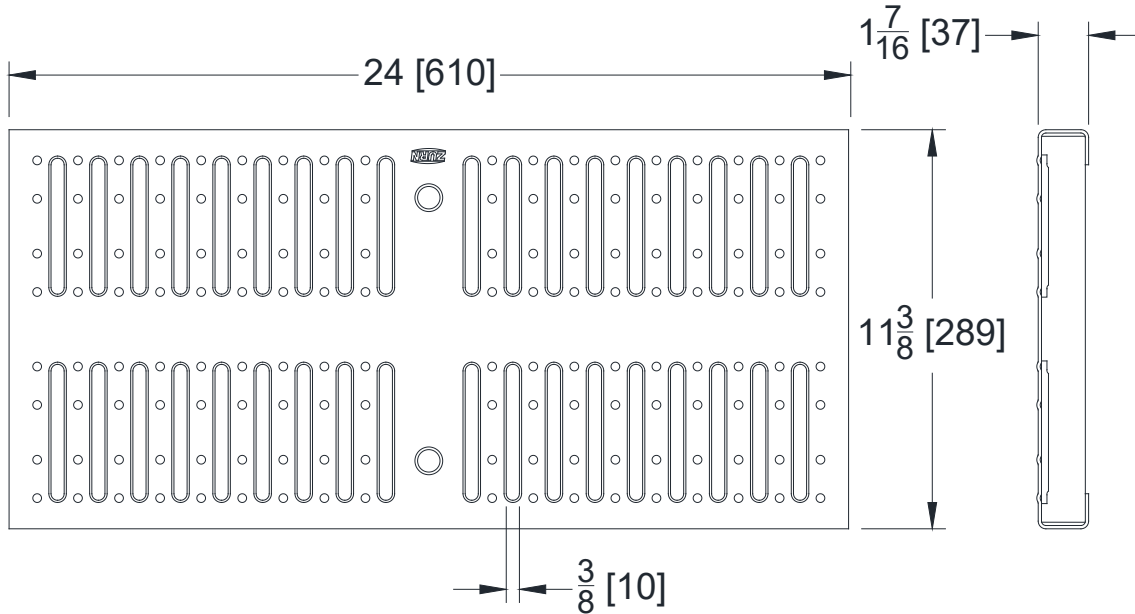


P12-FS
12 [305] WIDE DOMESTIC GRATE

Design and Dimensional Data (inches and [mm]) are Subject to Manufacturing Tolerances and Change Without Notice

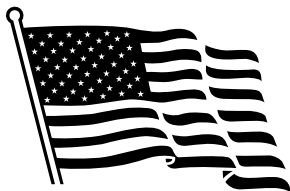
[Back to Index](#)

Please Check ✓	Item No.	Part Number	Item I.D.
—	16	61019	P12-FS



ENGINEERING SPECIFICATION: ZURN P12-FS

Fabricated Stainless Steel, is 11-3/8" [289mm] wide X 24" [610mm] long, weighing 7.9 lbs/ft [12 kg/m]. The grate has an open area of 25.6 in²/ft [542 cm²/m], DIN Rating of A, and ANSI Rating of Light-Duty. Stainless Steel conforms to ASTM A240 grade CF8 (Type 304 or 316 by request). For ADA compliance elongated openings must be place perpendicular to the dominant direction of travel per ADA guidelines section.



MADE IN THE USA

FS - Fabricated Slotted	
Material:	Stainless Steel
DIN Rating:	Class A
Weight:	7.7 lbs/ft [11 kg/m]
Open Area:	25.6 in ² /ft [542 cm ² /m]
ANSI Rating:	Light-Duty
Application:	Pedestrian
Slot Width/Hole Size:	3/8" [10 mm]
ADA:	Yes
H-20:	No
FAA:	No

⚠ WARNING: Cancer and Reproductive Harm - www.P65Warnings.ca.gov

⚠ ADVERTENCIA: Cáncer y daño reproductivo - www.P65Warnings.ca.gov

⚠ AVERTISSEMENT: Cancer et effets néfastes sur la reproduction - www.P65Warnings.ca.gov

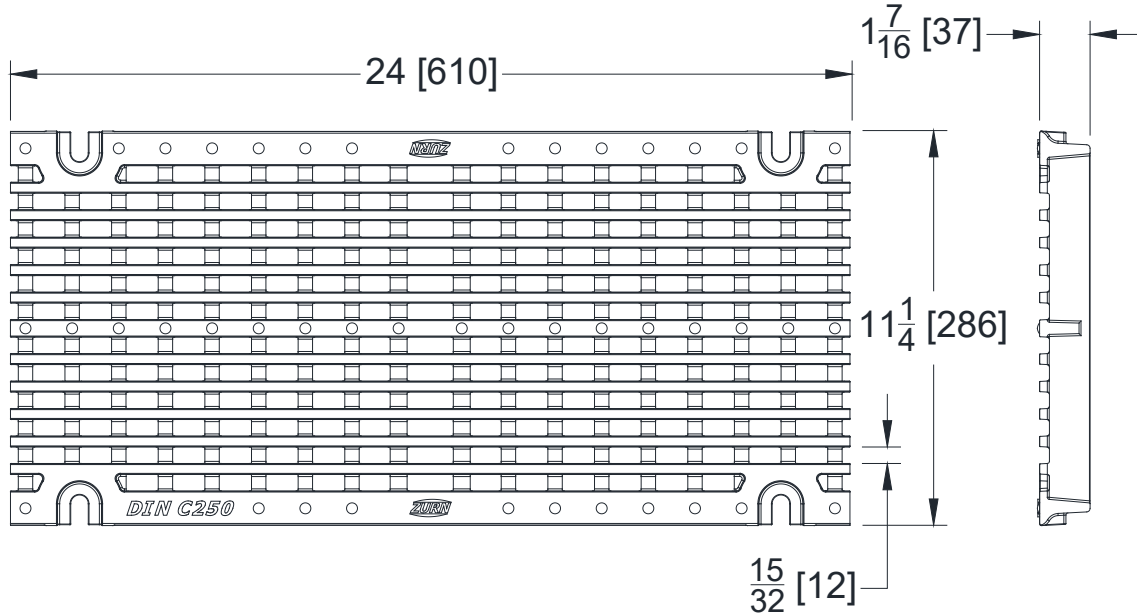


P12-GADA-USA
12 [305] WIDE DOMESTIC GRATE

Design and Dimensional Data (inches and [mm]) are Subject to Manufacturing Tolerances and Change Without Notice

[Back to Index](#)

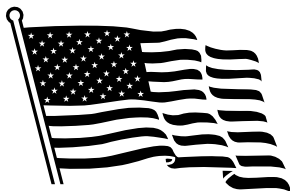
Please Check ✓	Item No.	Part Number	Item I.D.
___	17	84257	P12-GADA-USA



ENGINEERING SPECIFICATION: ZURN P12-GADA-USA

Galvanized Ductile Iron ADA Compliant Grate, is 11-1/4" [286mm] wide X 23-15/16" [608mm] long, weighing 15.6 lbs/ft [23 kg/m]. The grate has an open area of 65.2 in²/ft [1380 cm²/m], DIN Rating of C, ANSI Rating of Heavy-Duty, ADA compliant, and H-20 Load Rated. Ductile Iron conforms to ASTM A536 Grade 80-55-06. Galvanizing (hot dip) conforms to ASTM specification A123.

GADA-USA - ADA Compliant	
Material:	Galvanized Ductile Iron
DIN Rating:	Class C
Weight:	15.6 lbs/ft [23 kg/m]
Open Area:	65.2 in ² /ft [1380 cm ² /m]
ANSI Rating:	Heavy-Duty
Application:	Roadway, ADA
Slot Width/Hole Size:	15/32" [12 mm]
ADA:	Yes
H-20:	Yes
FAA:	No



MADE IN THE USA

- ⚠ WARNING:** Cancer and Reproductive Harm - www.P65Warnings.ca.gov
- ⚠ ADVERTENCIA:** Cáncer y daño reproductivo - www.P65Warnings.ca.gov
- ⚠ AVERTISSEMENT:** Cancer et effets néfastes sur la reproduction - www.P65Warnings.ca.gov

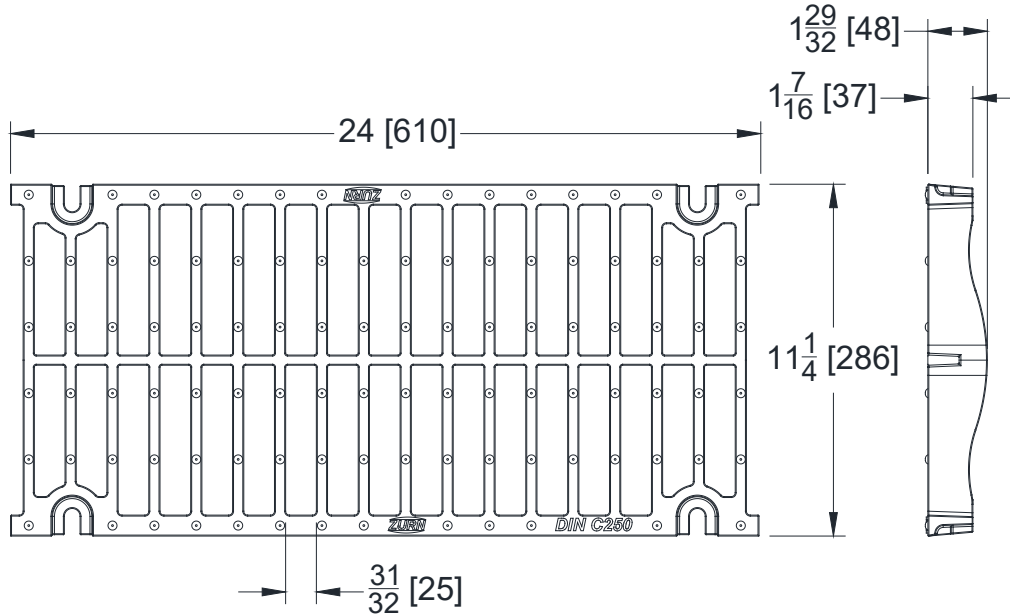


P12-GDC
12 [305] WIDE GRATE

Design and Dimensional Data (inches and [mm]) are Subject to Manufacturing Tolerances and Change Without Notice

[Back to Index](#)

Please Check ✓	Item No.	Part Number	Item I.D.
—	18	84225	P12-GDC



ENGINEERING SPECIFICATION: ZURN P12-GDC

Galvanized Ductile Iron Slotted Grate, is 11-1/4" [286mm] wide X 23-15/16" [608mm] long, weighing 14.7 lbs/ft [22 kg/m]. The grate has an open area of 80.8 in²/ft [1710 cm²/m], DIN Rating of C, ANSI Rating of Heavy-Duty, and H-20 Load Rated. Ductile Iron conforms to ASTM A536 Grade 80-55-06. Galvanizing (hot dip) conforms to ASTM specification A123.

GDC - Galvanized Ductile Iron	
Material:	Galvanized Ductile Iron
DIN Rating:	Class C
Weight:	14.7 lbs/ft [22 kg/m]
Open Area:	86.7 in ² /ft [1835 cm ² /m]
ANSI Rating:	Heavy-Duty
Application:	Vehicle & Truck
Slot Width/Hole Size:	63/64" [25 mm]
ADA:	No
H-20:	Yes
FAA:	No

- ⚠ **WARNING:** Cancer and Reproductive Harm - www.P65Warnings.ca.gov
- ⚠ **ADVERTENCIA:** Cáncer y daño reproductivo - www.P65Warnings.ca.gov
- ⚠ **AVERTISSEMENT:** Cancer et effets néfastes sur la reproduction - www.P65Warnings.ca.gov

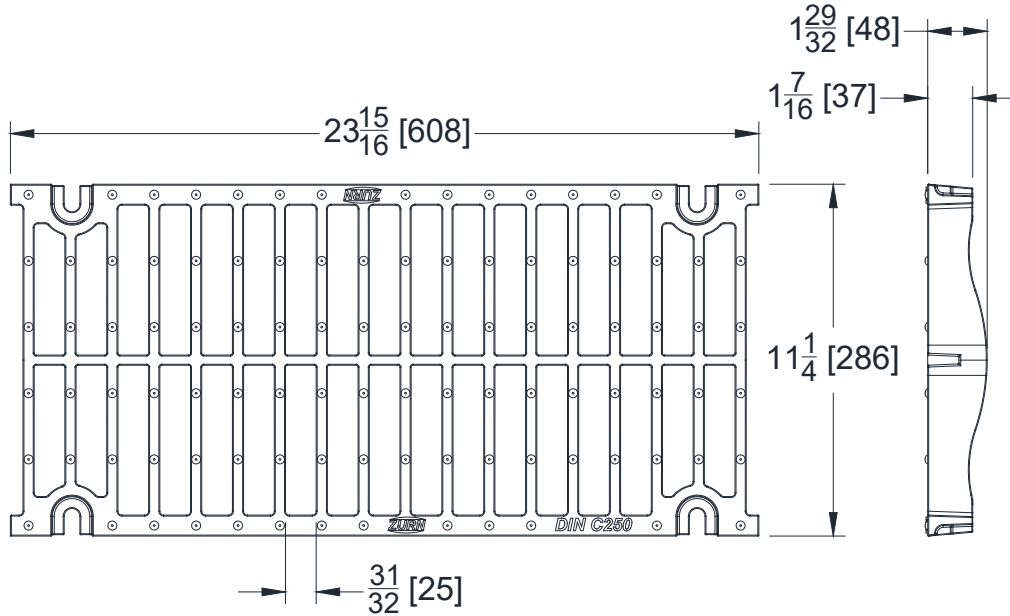


P12-GDC-USA
12 [305] WIDE DOMESTIC GRATE

Design and Dimensional Data (inches and [mm]) are Subject to Manufacturing Tolerances and Change Without Notice

[Back to Index](#)

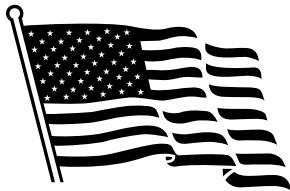
Please Check ✓	Item No.	Part Number	Item I.D.
___	19	84225	P12-GDC-USA



ENGINEERING SPECIFICATION: ZURN P12-GDC-USA

Galvanized Ductile Iron Slotted Grate, is 11-1/4" [286mm] wide X 23-15/16" [608mm] long, weighing 14.7 lbs/ft [22 kg/m]. The grate has an open area of 86.7 in²/ft [1835 cm²/m], DIN Rating of C, ANSI Rating of Heavy-Duty, and H-20 Load Rated. Ductile Iron conforms to ASTM A536 Grade 80-55-06. Galvanizing (hot dip) conforms to ASTM specification A123.

GDC-USA - Galvanized Ductile Iron	
Material:	Galvanized Ductile Iron
DIN Rating:	Class C
Weight:	14.7 lbs/ft [22 kg/m]
Open Area:	86.7 in ² /ft [1835 cm ² /m]
ANSI Rating:	Heavy-Duty
Application:	Vehicle & Truck
Slot Width/Hole Size:	63/64" [25 mm]
ADA:	No
H-20:	Yes
FAA:	No



MADE IN THE USA

⚠ WARNING: Cancer and Reproductive Harm - www.P65Warnings.ca.gov
⚠ ADVERTENCIA: Cáncer y daño reproductivo - www.P65Warnings.ca.gov
⚠ AVERTISSEMENT: Cancer et effets néfastes sur la reproduction - www.P65Warnings.ca.gov

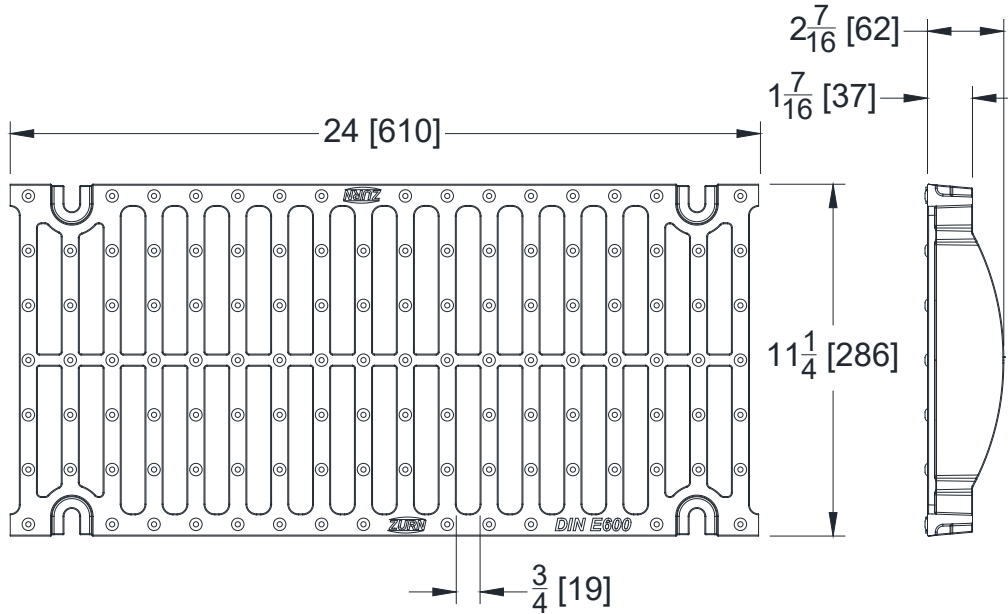


P12-GDE
12 [305] WIDE GRATE

Design and Dimensional Data (inches and [mm]) are Subject to Manufacturing Tolerances and Change Without Notice

[Back to Index](#)

Please Check ✓	Item No.	Part Number	Item I.D.
___	20	82038	P12-GDE



ENGINEERING SPECIFICATION: ZURN P12-GDE

Galvanized Ductile Iron Slotted Grate, is 11-1/4" [286mm] wide X 23-15/16" [608mm] long, weighing 19.8 lbs/ft [29 kg/m]. The grate has an open area of 60.3 in²/ft [1276 cm²/m], DIN Rating of E, ANSI Rating of Special-Duty, H-20 Load Rated, and FAA Load Rated. Ductile Iron conforms to ASTM A536 Grade 80-55-06. Galvanizing (hot dip) conforms to ASTM specification A123.

GDE - Slotted Galvanized Ductile Iron	
Material:	Galvanized Ductile Iron
DIN Rating:	Class E
Weight:	19.8 lbs/ft [29 kg/m]
Open Area:	60.3 in ² /ft [1276 cm ² /m]
ANSI Rating:	Special-Duty
Application:	Hard Wheels & Trucks
Slot Width/Hole Size:	49/64" [19 mm]
ADA:	No
H-20:	Yes
FAA:	Yes

- ⚠ WARNING:** Cancer and Reproductive Harm - www.P65Warnings.ca.gov
- ⚠ ADVERTENCIA:** Cáncer y daño reproductivo - www.P65Warnings.ca.gov
- ⚠ AVERTISSEMENT:** Cancer et effets néfastes sur la reproduction - www.P65Warnings.ca.gov

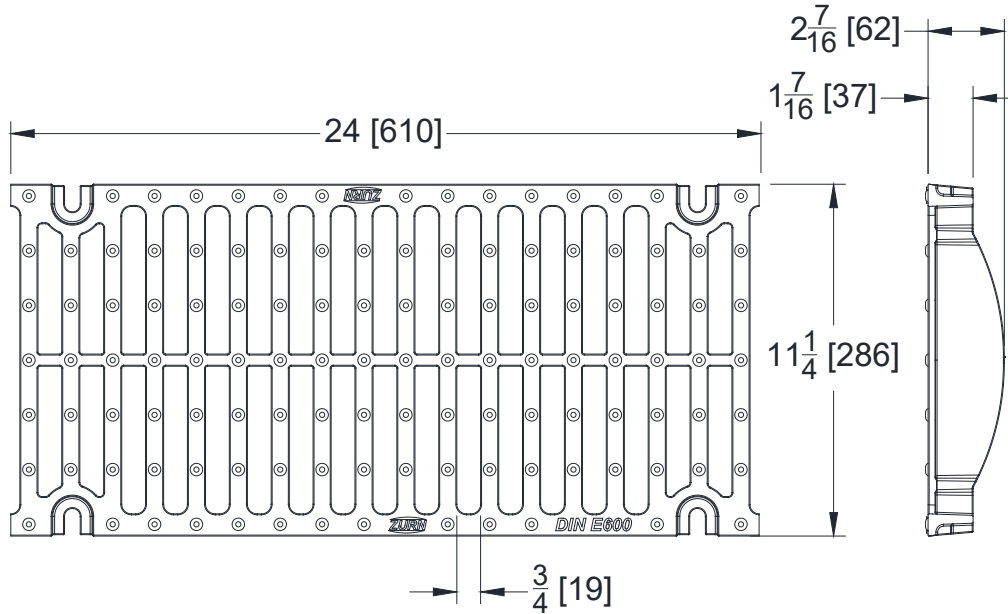


P12-GDE-USA
12 [305] WIDE DOMESTIC GRATE

Design and Dimensional Data (inches and [mm]) are Subject to Manufacturing Tolerances and Change Without Notice

[Back to Index](#)

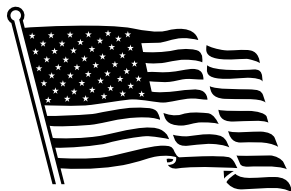
Please Check ✓	Item No.	Part Number	Item I.D.
___	21	84220	P12-GDE-USA



ENGINEERING SPECIFICATION: ZURN P12-GDE-USA

Galvanized Ductile Iron Slotted Grate, is 11-1/4" [286mm] wide X 23-15/16" [608mm] long, weighing 19.5 lbs/ft [29 kg/m]. The grate has an open area of 60.3 in²/ft [1276 cm²/m], DIN Rating of E, ANSI Rating of Special-Duty, H-20 Load Rated, and FAA Load Rated. Ductile Iron conforms to ASTM A536 Grade 80-55-06. Galvanizing (hot dip) conforms to ASTM specification A123.

GDE-USA - Galvanized Ductile Iron	
Material:	Galvanized Ductile Iron
DIN Rating:	Class E
Weight:	19.5 lbs/ft [29 kg/m]
Open Area:	60.3 in ² /ft [1276 cm ² /m]
ANSI Rating:	Special-Duty
Application:	Hard Wheels & Trucks
Slot Width/Hole Size:	49/64" [19 mm]
ADA:	No
H-20:	Yes
FAA:	Yes



MADE IN THE USA

- ⚠ WARNING:** Cancer and Reproductive Harm - www.P65Warnings.ca.gov
- ⚠ ADVERTENCIA:** Cáncer y daño reproductivo - www.P65Warnings.ca.gov
- ⚠ AVERTISSEMENT:** Cancer et effets néfastes sur la reproduction - www.P65Warnings.ca.gov

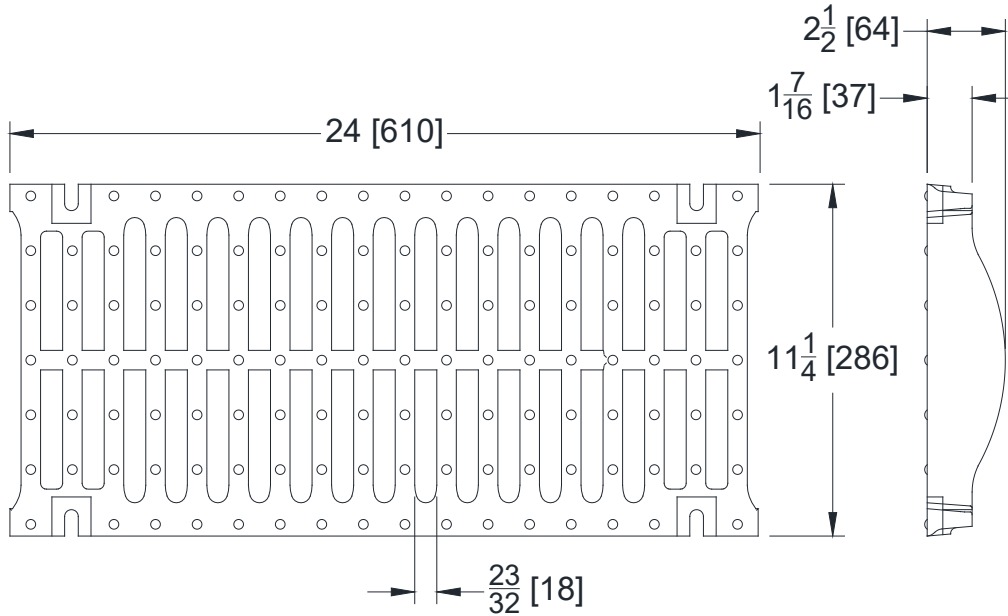


P12-GDF
12 [305] WIDE GRATE

Design and Dimensional Data (inches and [mm]) are Subject to Manufacturing Tolerances and Change Without Notice

[Back to Index](#)

Please Check ✓	Item No.	Part Number	Item I.D.
—	22	65868	P12-GDF



ENGINEERING SPECIFICATION: ZURN P12-GDF

Galvanized Ductile Iron Slotted Grate, is 11-1/4" [286mm] wide X 24" [610mm] long, weighing 26 lbs/ft [39 kg/m]. The grate has an open area of 54 in²/ft [1143 cm²/m], DIN Rating of F, ANSI Rating of Special-Duty, H-20 Load Rated, and FAA Load Rated. Ductile Iron conforms to ASTM A536 Grade 80-55-06. Galvanizing (hot dip) conforms to ASTM specification A123.

GDF - Galvanized Ductile Iron	
Material:	Galvanized Ductile Iron
DIN Rating:	Class F
Weight:	26 lbs/ft [39 kg/m]
Open Area:	54 in ² /ft [1143 cm ² /m]
ANSI Rating:	Special-Duty
Application:	Dynamic Loads
Slot Width/Hole Size:	45/64" [18 mm]
ADA:	No
H-20:	Yes
FAA:	Yes

- ⚠ WARNING:** Cancer and Reproductive Harm - www.P65Warnings.ca.gov
- ⚠ ADVERTENCIA:** Cáncer y daño reproductivo - www.P65Warnings.ca.gov
- ⚠ AVERTISSEMENT:** Cancer et effets néfastes sur la reproduction - www.P65Warnings.ca.gov

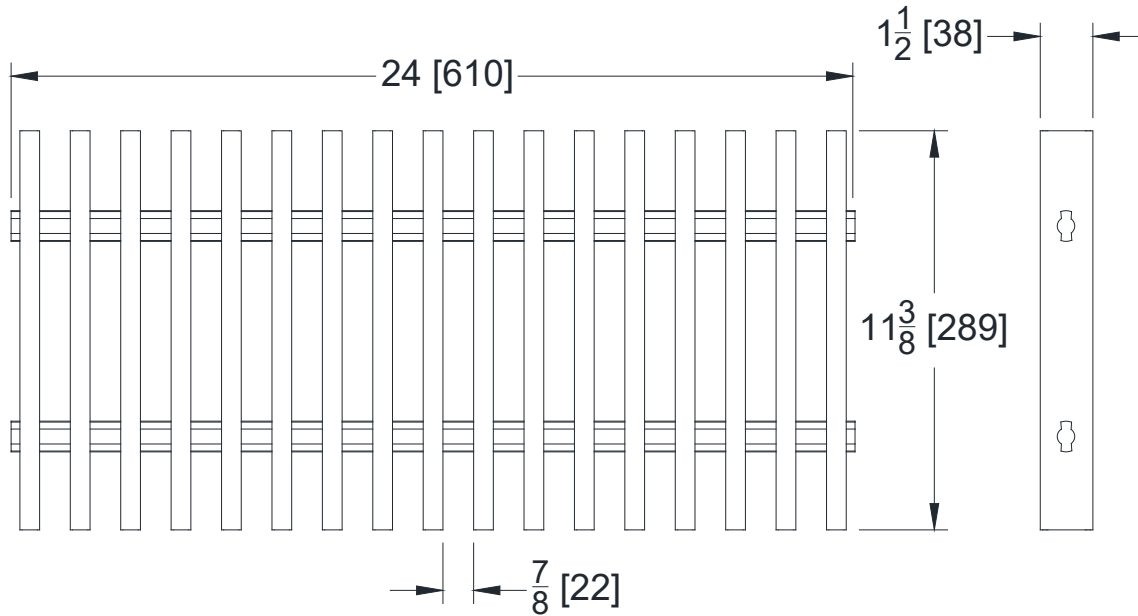


P12-GG
12 [305] WIDE DOMESTIC GRATE

Design and Dimensional Data (inches and [mm]) are Subject to Manufacturing Tolerances and Change Without Notice

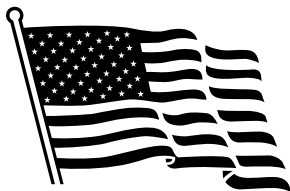
[Back to Index](#)

Please Check ✓	Item No.	Part Number	Item I.D.
___	23	58553	P12-GG



ENGINEERING SPECIFICATION: ZURN P12-GG

Vinylester Fiberglass Slotted Grate, is 11-3/8" [289mm] wide X 24" [610mm] long, weighing 2.8 lbs/ft [4 kg/m]. The grate has an open area of 82.5 in²/ft [1746 cm²/m], DIN Rating of A, ANSI Rating of Light-Duty and a slip resistant surface. Conforms to interplastic CORVE8300, or REICHHOLD DION 9100, or equivalent.



MADE IN THE USA

GG - Vinylester Fiberglass Slotted Grate	
Material:	Vinylester Fiberglass
DIN Rating:	Class A
Weight:	2.8 lbs/ft [4 kg/m]
Open Area:	82.5 in ² /ft [1746 cm ² /m]
ANSI Rating:	Light-Duty
Application:	Chemical Resistance
Slot Width/Hole Size:	7/8" [22 mm]
ADA:	No
H-20:	No
FAA:	No

- ⚠ WARNING:** Cancer and Reproductive Harm - www.P65Warnings.ca.gov
- ⚠ ADVERTENCIA:** Cáncer y daño reproductivo - www.P65Warnings.ca.gov
- ⚠ AVERTISSEMENT:** Cancer et effets néfastes sur la reproduction - www.P65Warnings.ca.gov

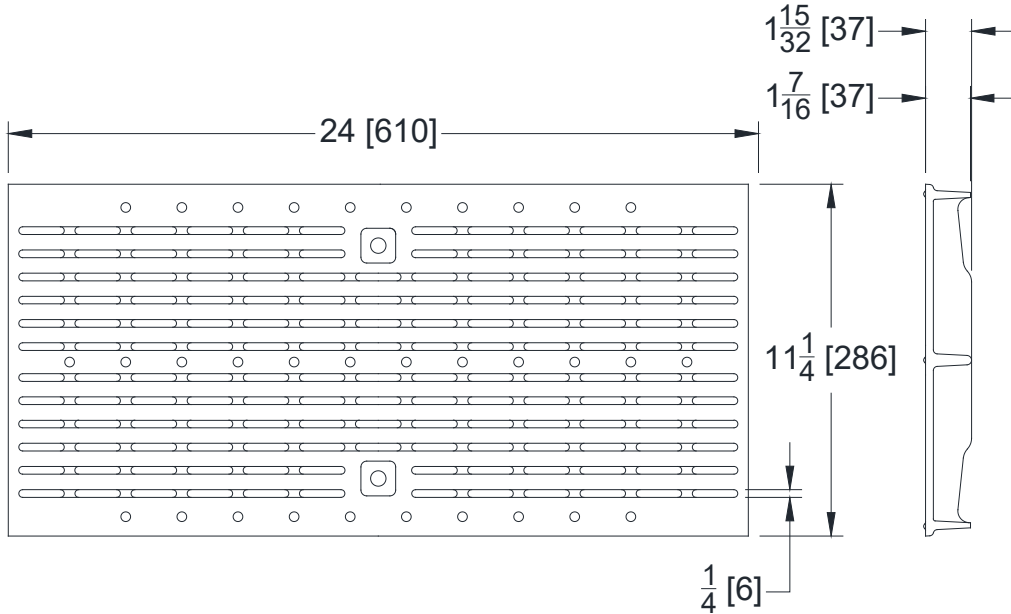


P12-GHPD
12 [305] WIDE GRATE

Design and Dimensional Data (inches and [mm]) are Subject to Manufacturing Tolerances and Change Without Notice

[Back to Index](#)

Please Check ✓	Item No.	Part Number	Item I.D.
___	24	61015	P12-GHPD



ENGINEERING SPECIFICATION: ZURN P12-GHPD

Galvanized Ductile Iron Heel-Proof Longitudinal Grate, is 11-1/4" [286mm] wide X 24" [610mm] long, weighing 14 lbs/ft [21 kg/m]. The grate has an open area of 33.7 in²/ft [713 cm²/m], DIN Rating of B, ANSI Rating of Medium-Duty, and ADA compliant. Ductile Iron conforms to ASTM A536 Grade 80-55-06. Galvanizing (hot dip) conforms to ASTM specification A123.

GHPD - Galvanized Heel-Proof	
Material:	Galvanized Ductile Iron
DIN Rating:	Class B
Weight:	14 lbs/ft [21 kg/m]
Open Area:	33.7 in ² /ft [713 cm ² /m]
ANSI Rating:	Medium-Duty
Application:	Heel-Proof, Pedestrian
Slot Width/Hole Size:	1/4" [6 mm]
ADA:	Yes
H-20:	No
FAA:	No

⚠ WARNING: Cancer and Reproductive Harm - www.P65Warnings.ca.gov

⚠ ADVERTENCIA: Cáncer y daño reproductivo - www.P65Warnings.ca.gov

⚠ AVERTISSEMENT: Cancer et effets néfastes sur la reproduction - www.P65Warnings.ca.gov

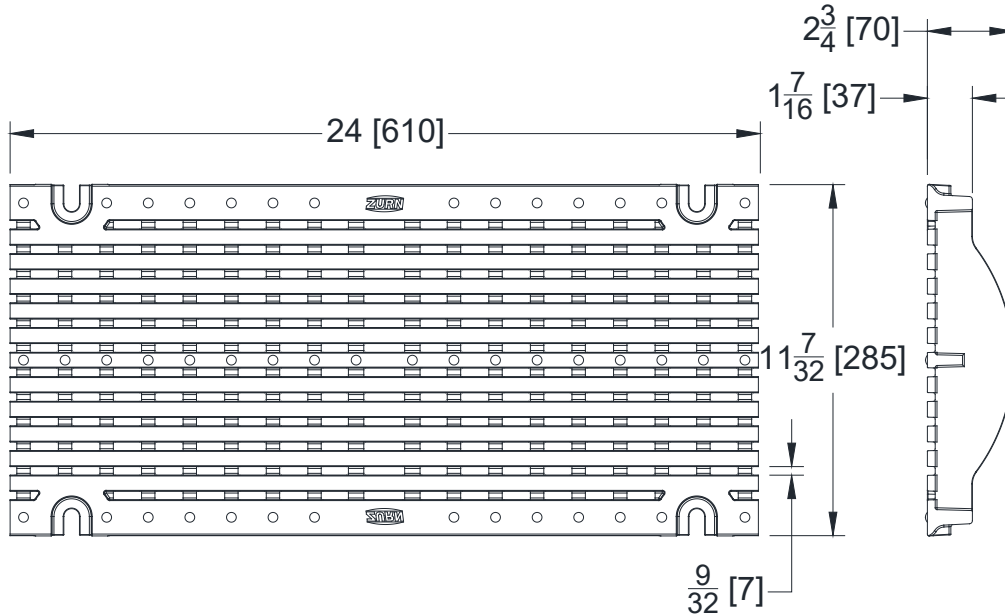


P12-GHPDE
12 [305] WIDE GRATE

Design and Dimensional Data (inches and [mm]) are Subject to Manufacturing Tolerances and Change Without Notice

[Back to Index](#)

Please Check ✓	Item No.	Part Number	Item I.D.
___	25	94325	P12-GHPDE



ENGINEERING SPECIFICATION: ZURN P12-GHPDE

Galvanized Ductile Iron Heel-Proof Longitudinal Grate, is 11-7/32" [285mm] wide X 24" [610mm] long, weighing 29.6 lbs/ft [44 kg/m]. The grate has an open area of 29.9 in²/ft [633 cm²/m], DIN Rating of E, ANSI Rating of Special-Duty, ADA compliant, H-20 Load Rated, and FAA Load Rated. Ductile Iron conforms to ASTM A536 Grade 80-55-06. Galvanizing (hot dip) conforms to ASTM specification A123.

GHPDE - Galvanized Heel-Proof	
Material:	Galvanized Ductile Iron
DIN Rating:	Class E
Weight:	29.6 lbs/ft [44 kg/m]
Open Area:	29.9 in ² /ft [633 cm ² /m]
ANSI Rating:	Special-Duty
Application:	Heel-Proof, Forklifts, Commercial Aircraft
Slot Width/Hole Size:	15/32" [12 mm]
ADA:	Yes
H-20:	Yes
FAA:	Yes

⚠ WARNING: Cancer and Reproductive Harm - www.P65Warnings.ca.gov

⚠ ADVERTENCIA: Cáncer y daño reproductivo - www.P65Warnings.ca.gov

⚠ AVERTISSEMENT: Cancer et effets néfastes sur la reproduction - www.P65Warnings.ca.gov

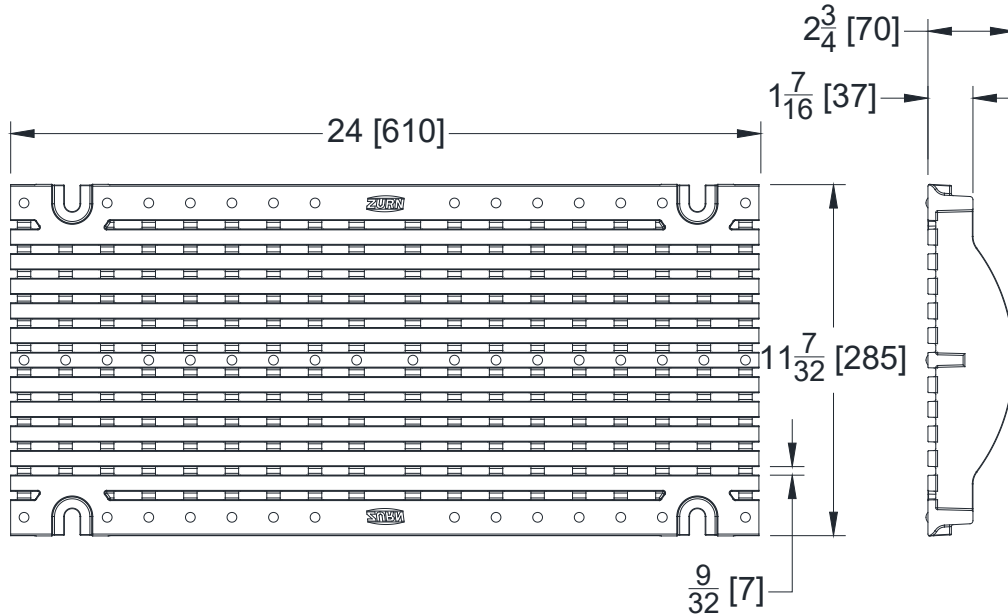


P12-GHPDE-USA
12 [305] WIDE DOMESTIC GRATE

Design and Dimensional Data (inches and [mm]) are Subject to Manufacturing Tolerances and Change Without Notice

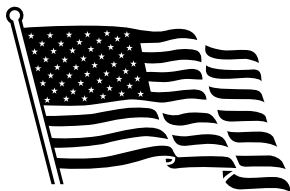
[Back to Index](#)

Please Check ✓	Item No.	Part Number	Item I.D.
___	26	94325	P12-GHPDE-USA



ENGINEERING SPECIFICATION: ZURN P12-GHPDE-USA

Galvanized Ductile Iron Heel-Proof Longitudinal Grate, is 11-7/32" [285mm] wide X 24" [610mm] long, weighing 29.6 lbs/ft [44 kg/m]. The grate has an open area of 29.9 in²/ft [633 cm²/m], DIN Rating of E, ANSI Rating of Special-Duty, ADA compliant, H-20 Load Rated, and FAA Load Rated. Ductile Iron conforms to ASTM A536 Grade 80-55-06. Galvanizing (hot dip) conforms to ASTM specification A123.



MADE IN THE USA

GHPDE-USA - Galvanized Heel-Proof	
Material:	Galvanized Ductile Iron
DIN Rating:	Class E
Weight:	29.6 lbs/ft [44 kg/m]
Open Area:	29.9 in ² /ft [633 cm ² /m]
ANSI Rating:	Special-Duty
Application:	Heel-Proof, Forklifts, Commercial Aircraft
Slot Width/Hole Size:	9/32" [7 mm]
ADA:	Yes
H-20:	Yes
FAA:	Yes

⚠ WARNING: Cancer and Reproductive Harm - www.P65Warnings.ca.gov

⚠ ADVERTENCIA: Cáncer y daño reproductivo - www.P65Warnings.ca.gov

⚠ AVERTISSEMENT: Cancer et effets néfastes sur la reproduction - www.P65Warnings.ca.gov

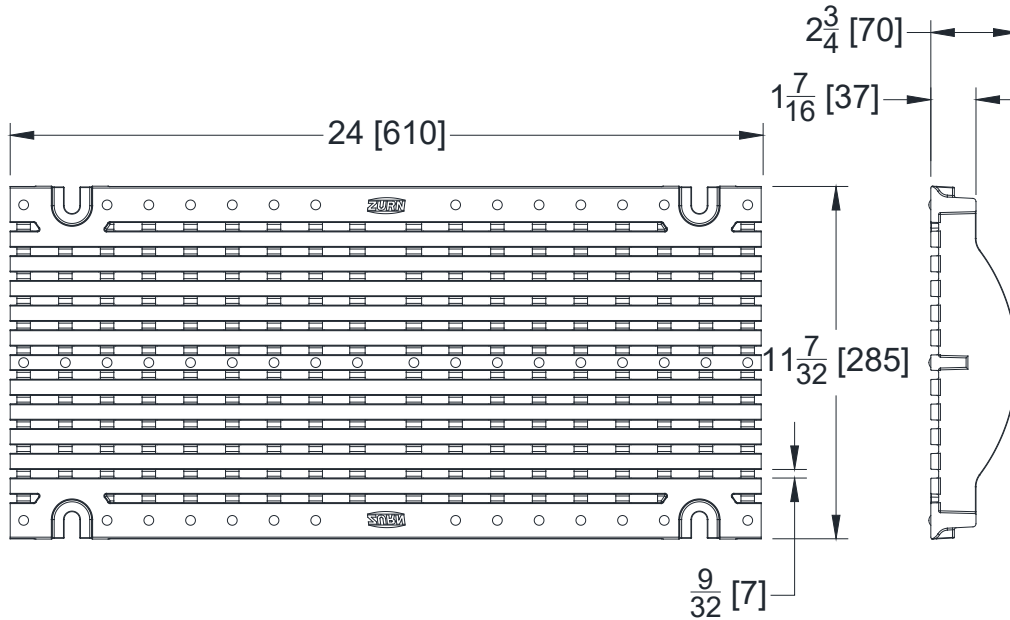


P12-HPDE
12 [305] WIDE GRATE

Design and Dimensional Data (inches and [mm]) are Subject to Manufacturing Tolerances and Change Without Notice

[Back to Index](#)

Please Check ✓	Item No.	Part Number	Item I.D.
___	27	94325	P12-HPDE



ENGINEERING SPECIFICATION: ZURN P12-HPDE

Ductile Iron Heel-Proof Longitudinal Grate, is 11-7/32" [285mm] wide X 24" [610mm] long, weighing 29.6 lbs/ft [44 kg/m]. The grate has an open area of 29.9 in²/ft [633 cm²/m], DIN Rating of E, ANSI Rating of Special-Duty, ADA compliant, H-20 Load Rated, and FAA Load Rated. Ductile Iron conforms to ASTM A536 Grade 80-55-06.

HPDE - Heel-Proof	
Material:	Ductile Iron
DIN Rating:	Class E
Weight:	29.6 lbs/ft [44 kg/m]
Open Area:	29.9 in ² /ft [633 cm ² /m]
ANSI Rating:	Special-Duty
Application:	Heel-Proof, Forklifts, Commercial Aircraft
Slot Width/Hole Size:	9/32" [7 mm]
ADA:	Yes
H-20:	Yes
FAA:	Yes

⚠ WARNING: Cancer and Reproductive Harm - www.P65Warnings.ca.gov

⚠ ADVERTENCIA: Cáncer y daño reproductivo - www.P65Warnings.ca.gov

⚠ AVERTISSEMENT: Cancer et effets néfastes sur la reproduction - www.P65Warnings.ca.gov

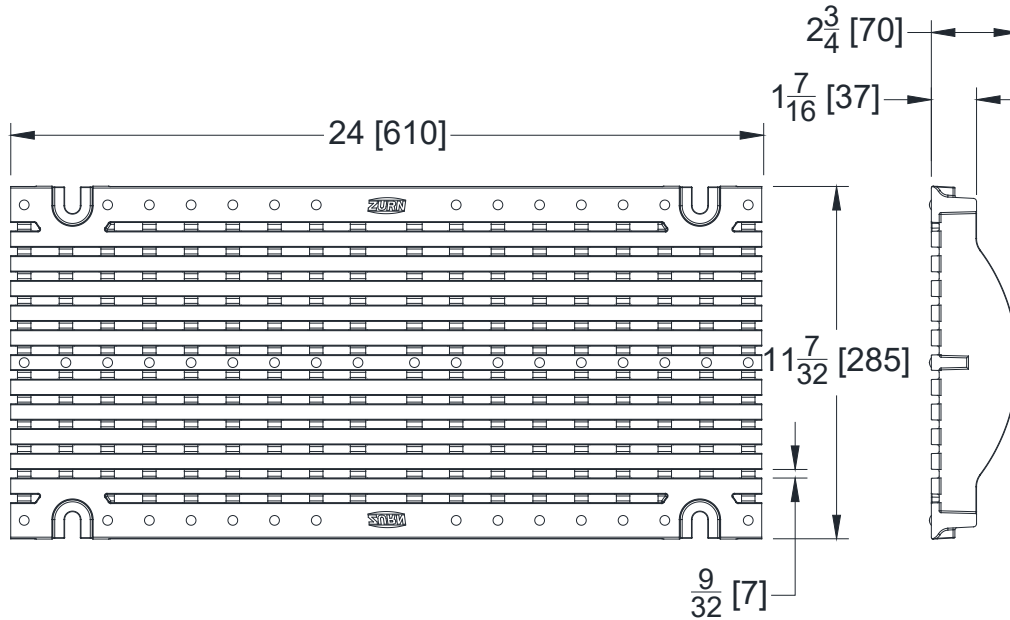


P12-HPDE-USA
12 [305] WIDE DOMESTIC GRATE

Design and Dimensional Data (inches and [mm]) are Subject to Manufacturing Tolerances and Change Without Notice

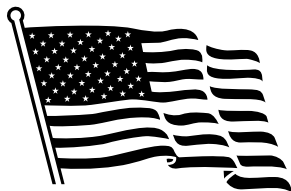
[Back to Index](#)

Please Check ✓	Item No.	Part Number	Item I.D.
___	28	94325	P12-HPDE-USA



ENGINEERING SPECIFICATION: ZURN P12-HPDE-USA

Ductile Iron Heel-Proof Longitudinal Grate, is 11-7/32" [285mm] wide X 24" [610mm] long, weighing 29.6 lbs/ft [44 kg/m]. The grate has an open area of 29.9 in²/ft [633 cm²/m], DIN Rating of E, ANSI Rating of Special-Duty, ADA compliant, H-20 Load Rated, and FAA Load Rated. Ductile Iron conforms to ASTM A536 Grade 80-55-06.



MADE IN THE USA

HPDE-USA - Heel-Proof	
Material:	Ductile Iron
DIN Rating:	Class E
Weight:	29.6 lbs/ft [44 kg/m]
Open Area:	29.9 in ² /ft [633 cm ² /m]
ANSI Rating:	Special-Duty
Application:	Heel-Proof, Forklifts, Commercial Aircraft
Slot Width/Hole Size:	9/32" [7 mm]
ADA:	Yes
H-20:	Yes
FAA:	Yes

⚠ WARNING: Cancer and Reproductive Harm - www.P65Warnings.ca.gov

⚠ ADVERTENCIA: Cáncer y daño reproductivo - www.P65Warnings.ca.gov

⚠ AVERTISSEMENT: Cancer et effets néfastes sur la reproduction - www.P65Warnings.ca.gov

Zurn Industries, LLC | Specification Drainage Operation
1801 Pittsburgh Avenue, Erie, PA 16502, Ph. 855.663.9876

In Canada | Zurn Industries Limited
7900 Goreway Drive, Unit 10, Brampton, Ontario L6T 5W6, Ph. 877.892.5216

www.zurn.com

Rev. AD
Date: 05/20/25
C.N. No. 146570
Patent zurn.com/patents
Prod. | Dwg. No. FT649

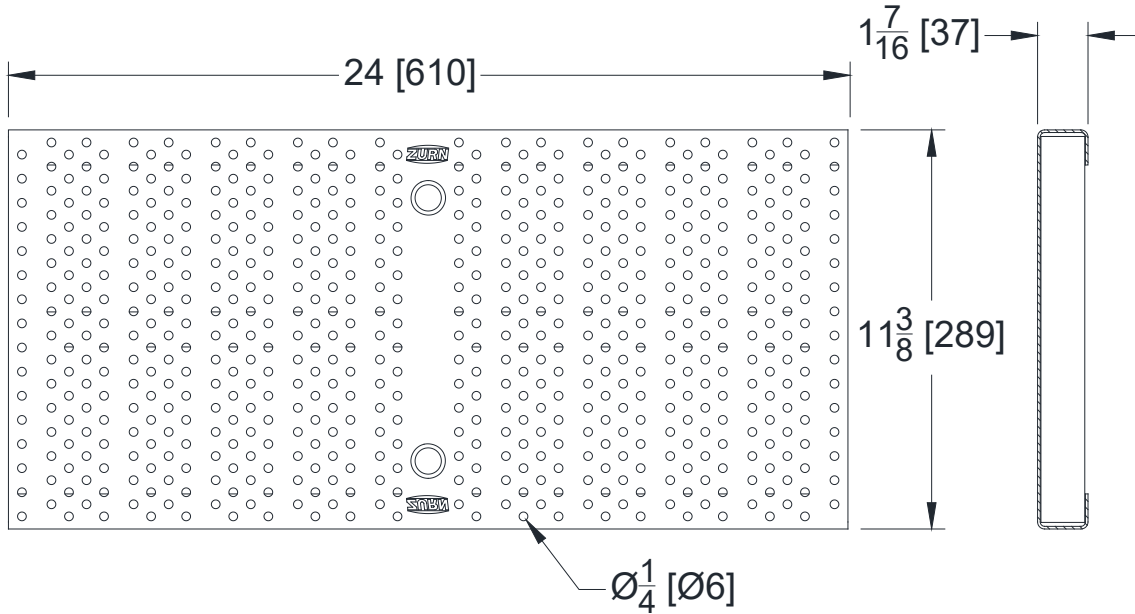


P12-PG
12 [305] WIDE DOMESTIC GRATE

Design and Dimensional Data (inches and [mm]) are Subject to Manufacturing Tolerances and Change Without Notice

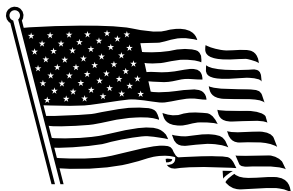
[Back to Index](#)

Please Check ✓	Item No.	Part Number	Item I.D.
—	29	60745	P12-PG



ENGINEERING SPECIFICATION: ZURN P12-PG

Galvanized Perforated Steel, is 11-3/8" [289mm] wide X 24" [610mm] long, weighing 7 lbs/ft [10 kg/m]. The grate has an open area of 14.9 in²/ft [315 cm²/m], DIN Rating of A, ANSI Rating of Light-Duty, and ADA Compliant. Carbon Steel conforms to ASTM A36. Galvanized Sheet conforms to ASTM Specification A653, Galvanized Coating designation G60, minimum spangle.



MADE IN THE USA

PG - Perforated Galvanized	
Material:	Galvanized Steel
DIN Rating:	Class A
Weight:	7 lbs/ft [10 kg/m]
Open Area:	14.9 in ² /ft [315 cm ² /m]
ANSI Rating:	Light-Duty
Application:	Heel-Proof, Pedestrian
Slot Width/Hole Size:	1/4" [6 mm]
ADA:	Yes
H-20:	No
FAA:	No

⚠ WARNING: Cancer and Reproductive Harm - www.P65Warnings.ca.gov

⚠ ADVERTENCIA: Cáncer y daño reproductivo - www.P65Warnings.ca.gov

⚠ AVERTISSEMENT: Cancer et effets néfastes sur la reproduction - www.P65Warnings.ca.gov

Zurn Industries, LLC | Specification Drainage Operation
1801 Pittsburgh Avenue, Erie, PA 16502, Ph. 855.663.9876

In Canada | Zurn Industries Limited
7900 Goreway Drive, Unit 10, Brampton, Ontario L6T 5W6, Ph. 877.892.5216

www.zurn.com

Rev. AD
Date: 05/20/25
C.N. No. 146570
Patent zurn.com/patents
Prod. | Dwg. No. FT649

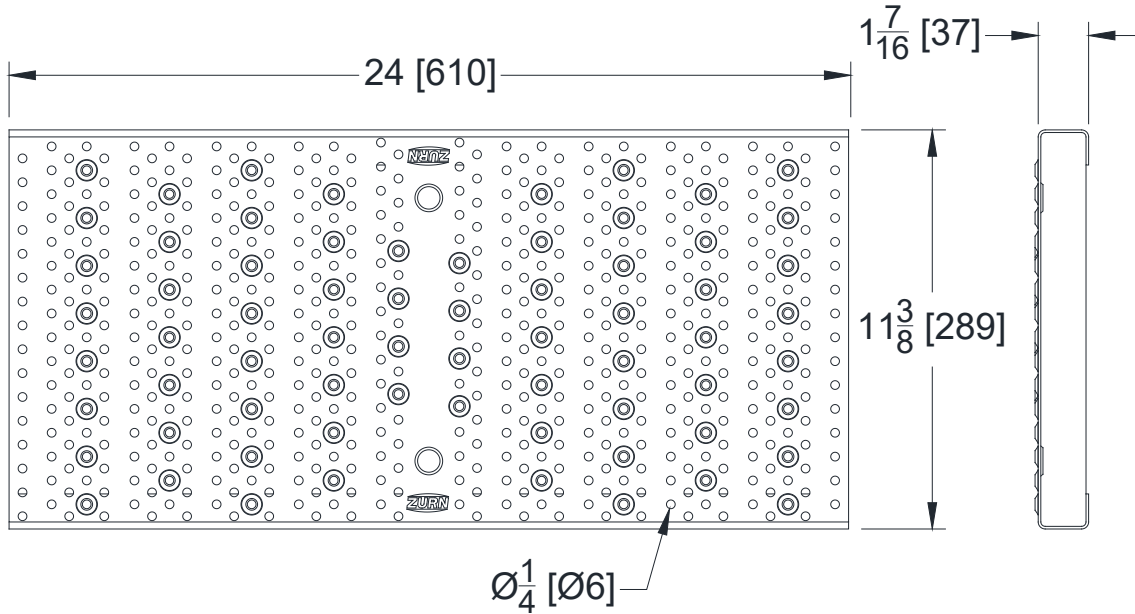


P12-PGR
12 [305] WIDE DOMESTIC GRATE

Design and Dimensional Data (inches and [mm]) are Subject to Manufacturing Tolerances and Change Without Notice

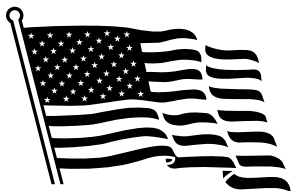
[Back to Index](#)

Please Check ✓	Item No.	Part Number	Item I.D.
___	30	300572	P12-PGR



ENGINEERING SPECIFICATION: ZURN P12-PGR

Galvanized Steel Raised Perforated Grate, is 11-3/8" [289mm] wide X 24" [610mm] long, weighing 7 lbs/ft [10kg/m]. The grate has an open area of 14.9 in²/ft [315 cm²/m], DIN Rating of A, ANSI Rating of Light-Duty, and ADA Compliant. Galvanized steel conforms to ASTM A36. Galvanized Sheet conforms to ASTM Specification A653, Galvanized Coating designation G60, minimum spangle.



MADE IN THE USA

PGR - Raised Perforated Galvanized	
Material:	Galvanized Steel
DIN Rating:	Class A
Weight:	7 lbs/ft [10 kg/m]
Open Area:	14.9 in ² /ft [315 cm ² /m]
ANSI Rating:	Light-Duty
Application:	Heel-Proof, Pedestrian
Slot Width/Hole Size:	1/4" [6 mm]
ADA:	Yes
H-20:	No
FAA:	No

- ⚠ WARNING:** Cancer and Reproductive Harm - www.P65Warnings.ca.gov
- ⚠ ADVERTENCIA:** Cáncer y daño reproductivo - www.P65Warnings.ca.gov
- ⚠ AVERTISSEMENT:** Cancer et effets néfastes sur la reproduction - www.P65Warnings.ca.gov

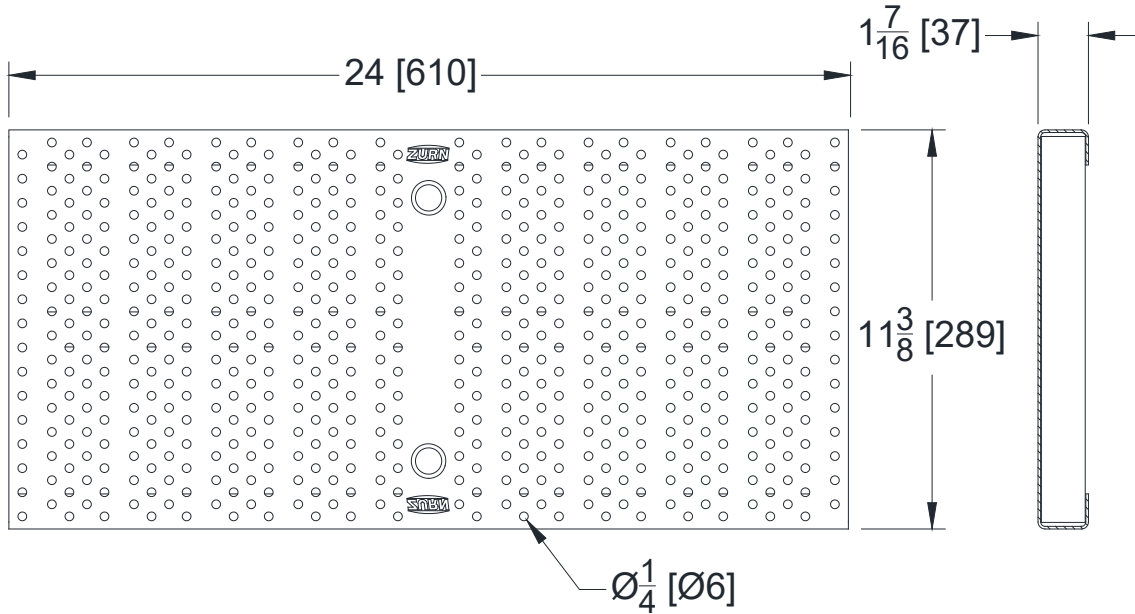


P12-PS
12 [305] WIDE DOMESTIC GRATE

Design and Dimensional Data (inches and [mm]) are Subject to Manufacturing Tolerances and Change Without Notice

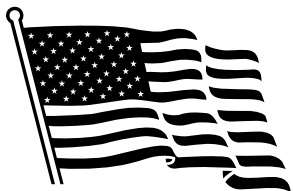
[Back to Index](#)

Please Check ✓	Item No.	Part Number	Item I.D.
—	31	60745	P12-PS



ENGINEERING SPECIFICATION: ZURN P12-PS

Perforated Stainless Steel, is 11-3/8" [289mm] wide X 24" [610mm] long, weighing 7.3 lbs/ft [11 kg/m]. The grate has an open area of 14.9 in²/ft [315 cm²/m], DIN Rating of A, ANSI Rating of Light-Duty, and ADA Compliant. Stainless Steel conforms to ASTM A240 Grade CF8 Type 304 (Type 316 by request).



MADE IN THE USA

PS - Perforated Stainless	
Material:	Stainless Steel
DIN Rating:	Class A
Weight:	7.3 lbs/ft [11 kg/m]
Open Area:	14.9 in ² /ft [315 cm ² /m]
ANSI Rating:	Light-Duty
Application:	Heel-Proof, Pedestrian
Slot Width/Hole Size:	1/4" [6 mm]
ADA:	Yes
H-20:	No
FAA:	No

⚠ WARNING: Cancer and Reproductive Harm - www.P65Warnings.ca.gov

⚠ ADVERTENCIA: Cáncer y daño reproductivo - www.P65Warnings.ca.gov

⚠ AVERTISSEMENT: Cancer et effets néfastes sur la reproduction - www.P65Warnings.ca.gov

Zurn Industries, LLC | Specification Drainage Operation
1801 Pittsburgh Avenue, Erie, PA 16502, Ph. 855.663.9876

In Canada | Zurn Industries Limited
7900 Goreway Drive, Unit 10, Brampton, Ontario L6T 5W6, Ph. 877.892.5216

www.zurn.com

Rev. AD
Date: 05/20/25
C.N. No. 146570
Patent zurn.com/patents
Prod. | Dwg. No. FT649

Page 32 of 45

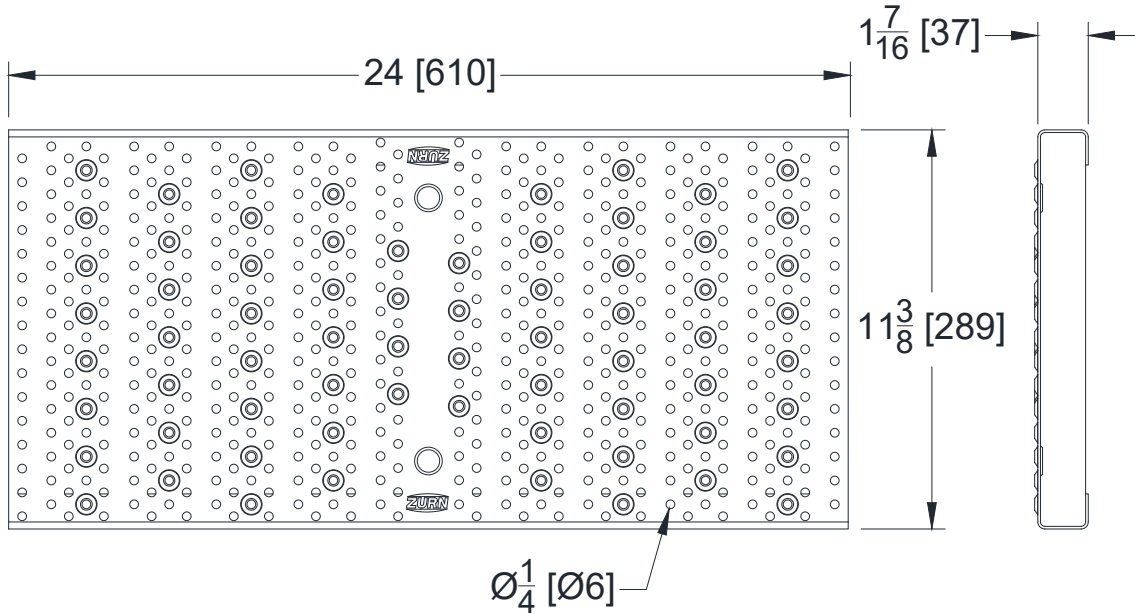


P12-PSR
12 [305] WIDE DOMESTIC GRATE

Design and Dimensional Data (inches and [mm]) are Subject to Manufacturing Tolerances and Change Without Notice

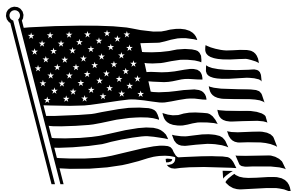
[Back to Index](#)

Please Check ✓	Item No.	Part Number	Item I.D.
___	32	300572	P12-PSR



ENGINEERING SPECIFICATION: ZURN P12-PSR

Stainless Steel Raised Perforated Grate, is 11-3/8" [289mm] wide X 24" [610mm] long, weighing 7.3 lbs/ft [11 kg/m]. The grate has an open area of 14.9 in²/ft [315 cm²/m], DIN Rating of A, ANSI Rating of Light-Duty, and ADA Compliant. Stainless Steel conforms to ASTM A240 Grade CF8 Type 304 (316 by request).



MADE IN THE USA

PSR - Raised Perforated Stainless	
Material:	Stainless Steel
DIN Rating:	Class A
Weight:	7.3 lbs/ft [11 kg/m]
Open Area:	14.9 in ² /ft [315 cm ² /m]
ANSI Rating:	Light-Duty
Application:	Heel-Proof, Pedestrian
Slot Width/Hole Size:	1/4" [6 mm]
ADA:	Yes
H-20:	No
FAA:	No

⚠ WARNING: Cancer and Reproductive Harm - www.P65Warnings.ca.gov

⚠ ADVERTENCIA: Cáncer y daño reproductivo - www.P65Warnings.ca.gov

⚠ AVERTISSEMENT: Cancer et effets néfastes sur la reproduction - www.P65Warnings.ca.gov

Zurn Industries, LLC | Specification Drainage Operation
1801 Pittsburgh Avenue, Erie, PA 16502, Ph. 855.663.9876

In Canada | Zurn Industries Limited
7900 Goreway Drive, Unit 10, Brampton, Ontario L6T 5W6, Ph. 877.892.5216

www.zurn.com

Rev. AD
Date: 05/20/25
C.N. No. 146570
Patent zurn.com/patents
Prod. | Dwg. No. FT649

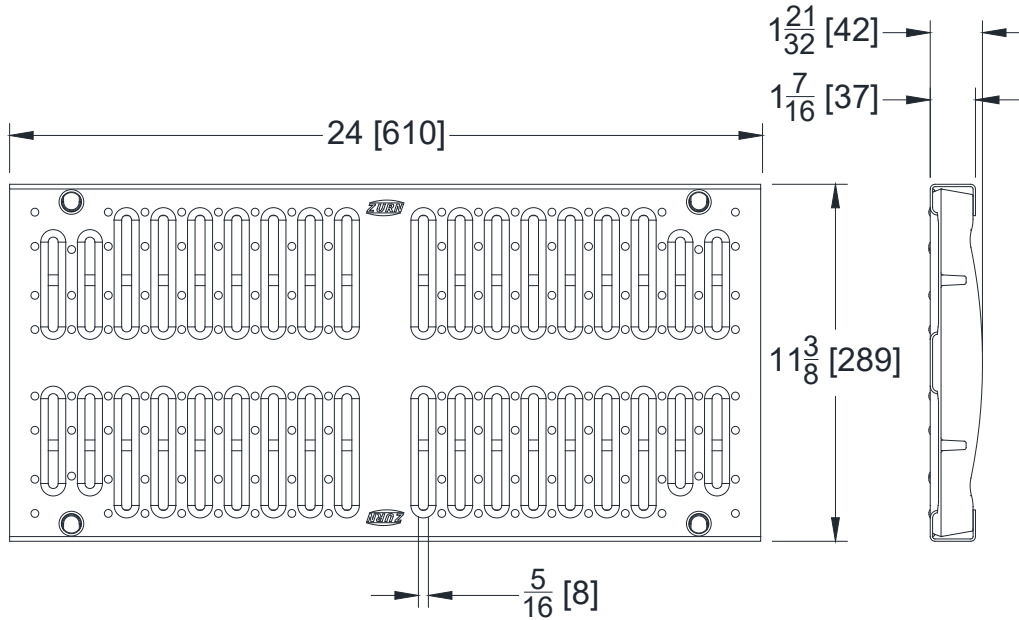


P12-RFGC
12 [305] WIDE GRATE

Design and Dimensional Data (inches and [mm]) are Subject to Manufacturing Tolerances and Change Without Notice

[Back to Index](#)

Please Check ✓	Item No.	Part Number	Item I.D.
___	33	302789	P12-RFGC



ENGINEERING SPECIFICATION: ZURN P12-RFGC

Reinforced Galvanized Steel, is 11-3/8" [289mm] wide X 24" [610mm] long, weighing 16.4 lbs/ft [24 kg/m]. The grate has an open area of 20.2 in²/ft [428 cm²/m], DIN Rating of C, ANSI Rating of Extra Heavy-Duty, and H-20 Load Rated. Galvanized Skins conforms to ASTM Specification A653, Galvanized Coating designation G60, minimum spangle. Hot Dip Galvanized on Reinforcement conforms to ASTM Specification A123. Ductile Iron conforms to ASTM A536 Grade 80-55-06. For ADA compliance elongated openings must be placed perpendicular to the dominant direction of travel per ADA guidelines section.

RFGC - Reinforced Slotted Grate Galvanized	
Material:	Galvanized Ductile Iron & Galvanized Steel
DIN Rating:	Class C
Weight:	16.4 lbs/ft [24 kg/m]
Open Area:	20.2 in ² /ft [428 cm ² /m]
ANSI Rating:	Heavy-Duty
Application:	Roadway
Slot Width/Hole Size:	5/16" [8 mm]
ADA:	Yes
H-20:	Yes
FAA:	No

- ⚠ WARNING:** Cancer and Reproductive Harm - www.P65Warnings.ca.gov
- ⚠ ADVERTENCIA:** Cáncer y daño reproductivo - www.P65Warnings.ca.gov
- ⚠ AVERTISSEMENT:** Cancer et effets néfastes sur la reproduction - www.P65Warnings.ca.gov

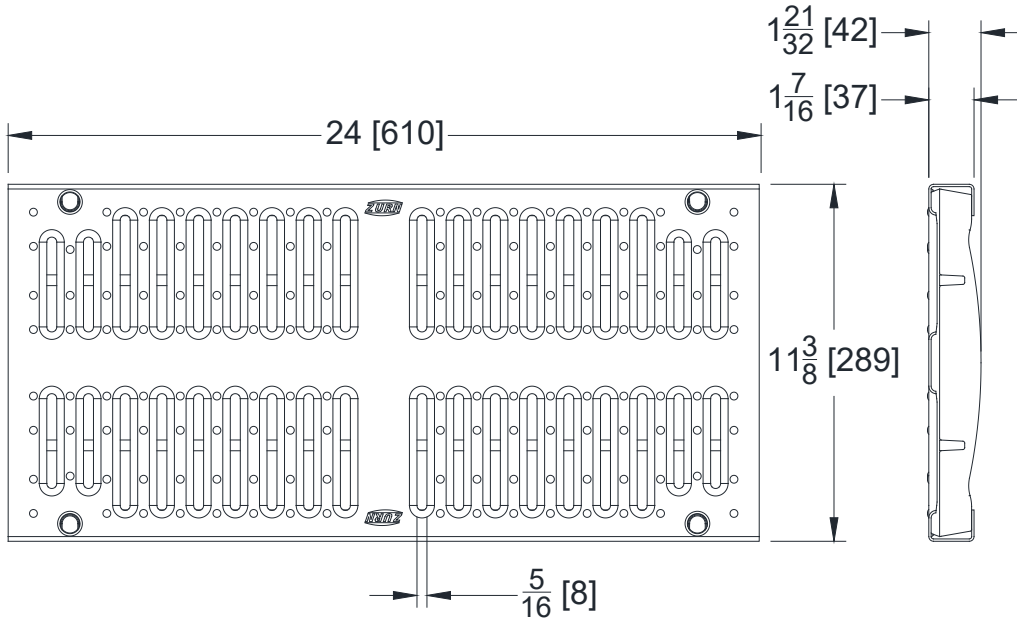


P12-RFSC
12 [305] WIDE GRATE

Design and Dimensional Data (inches and [mm]) are Subject to Manufacturing Tolerances and Change Without Notice

[Back to Index](#)

Please Check ✓	Item No.	Part Number	Item I.D.
___	34	302814	P12-RFSC



ENGINEERING SPECIFICATION: ZURN P12-RFSC

Reinforced Stainless Steel, is 11-3/8" [289mm] wide X 24" [610mm] long, weighing 21.3 lbs/ft [32 kg/m]. The grate has an open area of 20.2 in²/ft [428 cm²/m], DIN Rating of C, ANSI Rating of Extra Heavy-Duty, and H-20 Load Rated. Stainless Steel Reinforcement conforms to ASTM A315 Grade CF8 Type 304 (or CF8M Type 316 by request). Stainless Steel skins conform to ASTM A240 Type 304 (or 316 by request). For ADA compliance elongated openings must be placed perpendicular to the dominant direction of travel per ADA guidelines section.

RFSC - Reinforced Slotted Grate Stainless	
Material:	Stainless Steel
DIN Rating:	Class C
Weight:	21.3 lbs/ft [32 kg/m]
Open Area:	20.2 in ² /ft [428 cm ² /m]
ANSI Rating:	Heavy-Duty
Application:	Roadway
Slot Width/Hole Size:	5/16" [8 mm]
ADA:	Yes
H-20:	Yes
FAA:	No

⚠ WARNING: Cancer and Reproductive Harm - www.P65Warnings.ca.gov

⚠ ADVERTENCIA: Cáncer y daño reproductivo - www.P65Warnings.ca.gov

⚠ AVERTISSEMENT: Cancer et effets néfastes sur la reproduction - www.P65Warnings.ca.gov

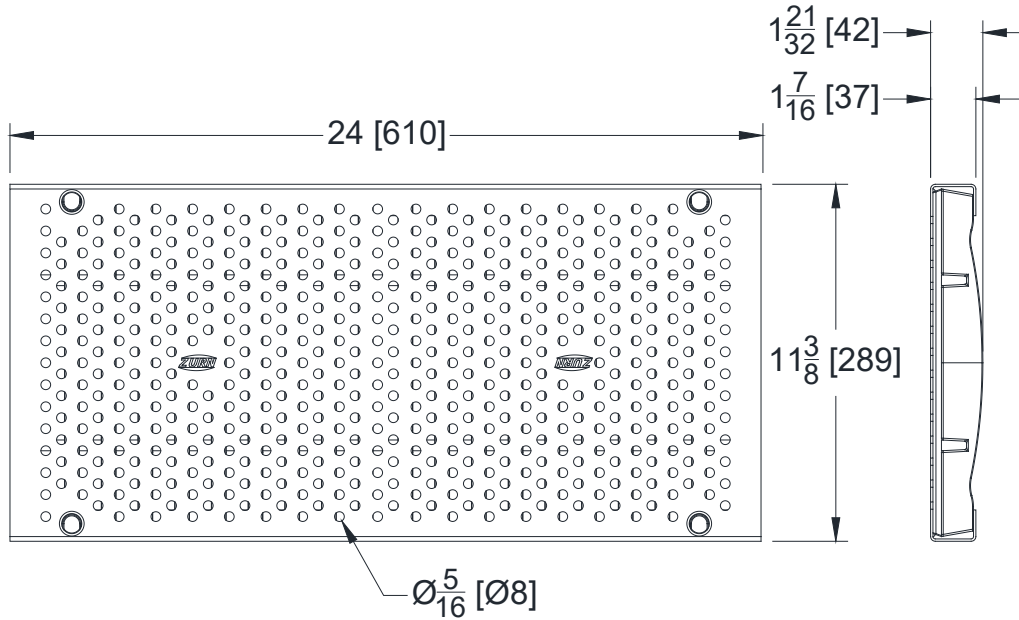


P12-RPGC
12 [305] WIDE GRATE

Design and Dimensional Data (inches and [mm]) are Subject to Manufacturing Tolerances and Change Without Notice

[Back to Index](#)

Please Check ✓	Item No.	Part Number	Item I.D.
___	35	302813	P12-RPGC



ENGINEERING SPECIFICATION: ZURN P12-RPGC

Reinforced Galvanized Perforated Steel, is 11-3/8" [289mm] wide X 24" [610mm] long, weighing 16.0 lbs/ft [24 kg/m]. The grate has an open area of 19.2 in²/ft [406 cm²/m], DIN Rating of C, ANSI Rating of Extra Heavy-Duty, ADA Compliant, and H-20 Load Rated. Ductile Iron conforms to ASTM A536 Grade 80-55-06. Galvanized Sheet conforms to ASTM Specification A653, Galvanized Coating designation G60, minimum spangle. Galvanizing (Hot Dip) conforms to ASTM Specification A123.

RPGC - Reinforced Perforated Galvanized	
Material:	Galvanized Ductile Iron & Galvanized Steel
DIN Rating:	Class C
Weight:	16 lbs/ft [24 kg/m]
Open Area:	19.2 in ² /ft [406 cm ² /m]
ANSI Rating:	Heavy-Duty
Application:	Roadway
Slot Width/Hole Size:	5/16" [8 mm]
ADA:	Yes
H-20:	Yes
FAA:	No

⚠ WARNING: Cancer and Reproductive Harm - www.P65Warnings.ca.gov

⚠ ADVERTENCIA: Cáncer y daño reproductivo - www.P65Warnings.ca.gov

⚠ AVERTISSEMENT: Cancer et effets néfastes sur la reproduction - www.P65Warnings.ca.gov

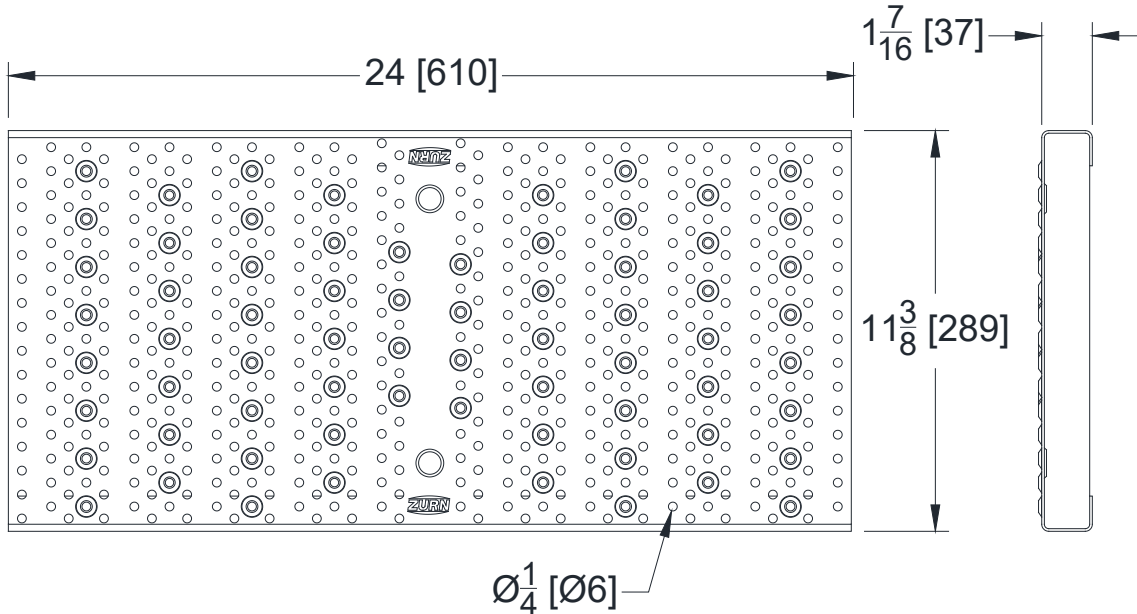


P12-RPGR
12 [305] WIDE DOMESTIC GRATE

Design and Dimensional Data (inches and [mm]) are Subject to Manufacturing Tolerances and Change Without Notice

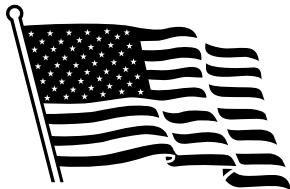
[Back to Index](#)

Please Check ✓	Item No.	Part Number	Item I.D.
___	36	300572	P12-RPGR



ENGINEERING SPECIFICATION: ZURN P12-RPGR

Galvanized Steel Reinforced Raised Perforated Grate, is 11-3/8" [289mm] wide X 24" [610mm] long, weighing 11.3 lbs/ft [17 kg/m]. The grate has an open area of 14.9 in²/ft [315 cm²/m], DIN Rating of Class B, ANSI Rating of Medium-Duty, and ADA Compliant. Carbon Steel conforms to ASTM A36. Galvanized Skin conforms to ASTM Specification A653, Galvanized Coating designation G60, minimum spangle. Galvanizing (hot dip) conforms to ASTM A123.



MADE IN THE USA

RPGR - Reinforced Raised Perforated Galvanized	
Material:	Galvanized Steel
DIN Rating:	Class B
Weight:	11.3 lbs/ft [17 kg/m]
Open Area:	14.9 in ² /ft [315 cm ² /m]
ANSI Rating:	Medium-Duty
Application:	Light Vehicle
Slot Width/Hole Size:	1/4" [6 mm]
ADA:	Yes
H-20:	No
FAA:	No

- ⚠ **WARNING:** Cancer and Reproductive Harm - www.P65Warnings.ca.gov
- ⚠ **ADVERTENCIA:** Cáncer y daño reproductivo - www.P65Warnings.ca.gov
- ⚠ **AVERTISSEMENT:** Cancer et effets néfastes sur la reproduction - www.P65Warnings.ca.gov

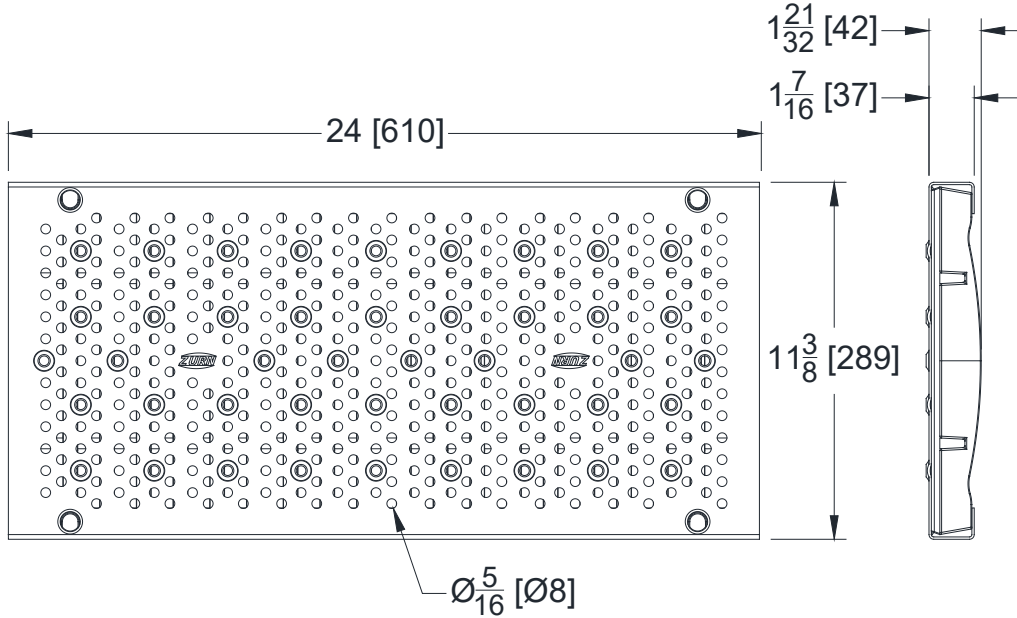


P12-RPGRC
12 [305] WIDE GRATE

Design and Dimensional Data (inches and [mm]) are Subject to Manufacturing Tolerances and Change Without Notice

[Back to Index](#)

Please Check ✓	Item No.	Part Number	Item I.D.
___	37	305024	P12-RPGRC



ENGINEERING SPECIFICATION: ZURN P12-RPGRC

Galvanized Steel Reinforced Raised Perforated Grate, is 11-3/8" [289mm] wide X 24" [610mm] long, weighing 16.0 lbs/ft [24 kg/m]. The grate has an open area of 19.2 in²/ft [406 cm²/m], DIN Rating of Class C, ANSI Rating of Extra Heavy-Duty, ADA Compliant and H-20 Load Rated. Ductile Iron conforms to ASTM A536 Grade 80-55-06. Galvanized Sheet conforms to ASTM Specification A653, Galvanized Coating designation G60, minimum spangle. Galvanizing (Hot Dip) conforms to ASTM A123.

RPGR - Reinforced Raised Perforated Galvanized	
Material:	Galvanized Ductile Iron & Galvanized Steel
DIN Rating:	Class C
Weight:	16 lbs/ft [24 kg/m]
Open Area:	19.2 in ² /ft [406 cm ² /m]
ANSI Rating:	Heavy-Duty
Application:	Roadway
Slot Width/Hole Size:	5/16" [8 mm]
ADA:	Yes
H-20:	Yes
FAA:	No

⚠ WARNING: Cancer and Reproductive Harm - www.P65Warnings.ca.gov

⚠ ADVERTENCIA: Cáncer y daño reproductivo - www.P65Warnings.ca.gov

⚠ AVERTISSEMENT: Cancer et effets néfastes sur la reproduction - www.P65Warnings.ca.gov

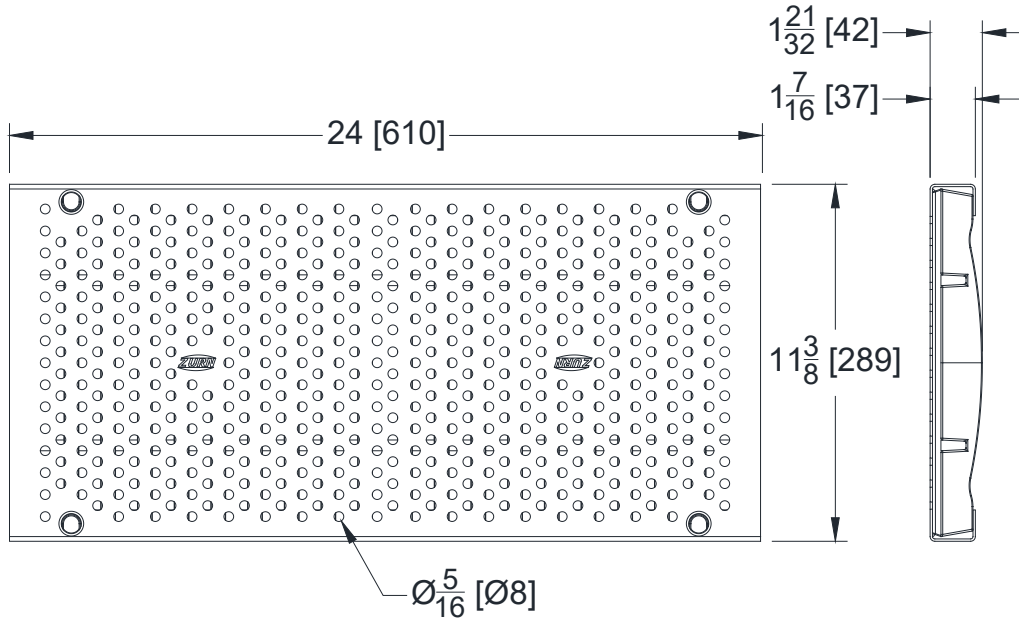


P12-RPSC
12 [305] WIDE GRATE

Design and Dimensional Data (inches and [mm]) are Subject to Manufacturing Tolerances and Change Without Notice

[Back to Index](#)

Please Check ✓	Item No.	Part Number	Item I.D.
—	38	302785	P12-RPSC



ENGINEERING SPECIFICATION: ZURN P12-RPSC

Reinforced Perforated Stainless Steel, is 11-3/8" [289mm] wide X 24" [610mm] long, weighing 21.0 lbs/ft [31 kg/m]. The grate has an open area of 19.2 in²/ft [406 cm²/m], DIN Rating of C, ANSI Rating of Extra Heavy-Duty, ADA Compliant, and H-20 Load Rated. Stainless Steel conforms to ASTM A240 Grade CF8 Type 304 (or 316 by request).

RPSC - Reinforced Perforated Stainless	
Material:	Stainless Steel
DIN Rating:	Class C
Weight:	16 lbs/ft [24 kg/m]
Open Area:	19.2 in ² /ft [406 cm ² /m]
ANSI Rating:	Heavy-Duty
Application:	Roadway
Slot Width/Hole Size:	5/16" [8 mm]
ADA:	Yes
H-20:	Yes
FAA:	No

⚠ WARNING: Cancer and Reproductive Harm - www.P65Warnings.ca.gov

⚠ ADVERTENCIA: Cáncer y daño reproductivo - www.P65Warnings.ca.gov

⚠ AVERTISSEMENT: Cancer et effets néfastes sur la reproduction - www.P65Warnings.ca.gov

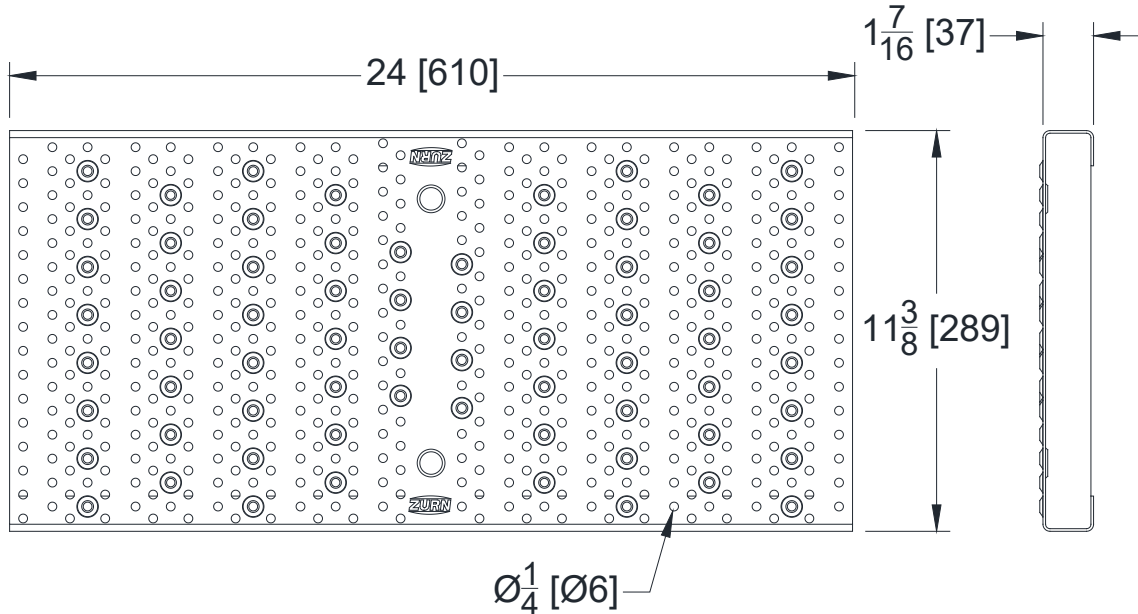


P12-RPSR
12 [305] WIDE DOMESTIC GRATE

Design and Dimensional Data (inches and [mm]) are Subject to Manufacturing Tolerances and Change Without Notice

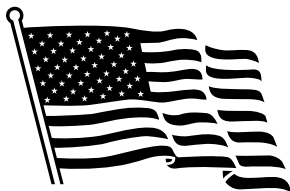
[Back to Index](#)

Please Check ✓	Item No.	Part Number	Item I.D.
___	39	300572	P12-RPSR



ENGINEERING SPECIFICATION: ZURN P12-RPSR

Stainless Steel Reinforced Raised Perforated Grate, is 11-3/8" [289mm] wide X 24" [610mm] long, weighing 11.6 lbs/ft [17 kg/m]. The grate has an open area of 14.9 in²/ft [315 cm²/m], DIN Rating of Class B, ANSI Rating of Medium-Duty, and ADA Compliant. Stainless Steel conforms to ASTM A240 Grade CF8 Type 304 (or 316 by request).



MADE IN THE USA

RPSR - Reinforced Raised Perforated Stainless	
Material:	Stainless Steel
DIN Rating:	Class B
Weight:	11.6 lbs/ft [17 kg/m]
Open Area:	14.9 in ² /ft [315 cm ² /m]
ANSI Rating:	Medium-Duty
Application:	Light Vehicle
Slot Width/Hole Size:	1/4" [6 mm]
ADA:	Yes
H-20:	No
FAA:	No

⚠ WARNING: Cancer and Reproductive Harm - www.P65Warnings.ca.gov

⚠ ADVERTENCIA: Cáncer y daño reproductivo - www.P65Warnings.ca.gov

⚠ AVERTISSEMENT: Cancer et effets néfastes sur la reproduction - www.P65Warnings.ca.gov

Zurn Industries, LLC | Specification Drainage Operation
1801 Pittsburgh Avenue, Erie, PA 16502, Ph. 855.663.9876

In Canada | Zurn Industries Limited
7900 Goreway Drive, Unit 10, Brampton, Ontario L6T 5W6, Ph. 877.892.5216

www.zurn.com

Rev. AD
Date: 05/20/25
C.N. No. 146570
Patent zurn.com/patents
Prod. | Dwg. No. FT649

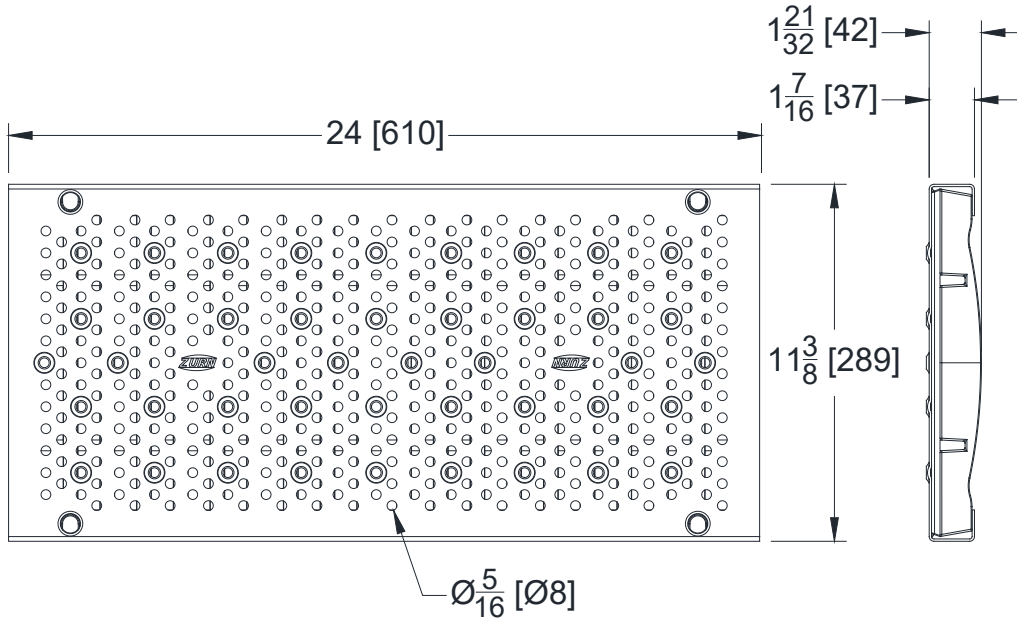


P12-RPSRC
12 [305] WIDE GRATE

Design and Dimensional Data (inches and [mm]) are Subject to Manufacturing Tolerances and Change Without Notice

[Back to Index](#)

Please Check ✓	Item No.	Part Number	Item I.D.
___	40	305025	P12-RPSRC



ENGINEERING SPECIFICATION: ZURN P12-RPSRC

Stainless Steel Reinforced Raised Perforated Grate, is 11-3/8" [289mm] wide X 24" [610mm] long, weighing 21.0 lbs/ft [31 kg/m]. The grate has an open area of 14.9 in²/ft [315 cm²/m], DIN Rating of Class C, ANSI Rating of Extra Heavy-Duty, ADA Compliant, and H-20 Load Rated. Stainless Steel conforms to ASTM A351 Grade CF8 Type 304 (or Grade CF8M Type 316 by request). Stainless Steel skins conforms to ASTM A240 Type 304 (or 316 by request).

RPSRC - Reinforced Raised Perforated Stainless	
Material:	Stainless Steel
DIN Rating:	Class C
Weight:	21 lbs/ft [31 kg/m]
Open Area:	14.9 in ² /ft [315 cm ² /m]
ANSI Rating:	Heavy-Duty
Application:	Roadway
Slot Width/Hole Size:	5/16" [8 mm]
ADA:	Yes
H-20:	Yes
FAA:	No

⚠ WARNING: Cancer and Reproductive Harm - www.P65Warnings.ca.gov

⚠ ADVERTENCIA: Cáncer y daño reproductivo - www.P65Warnings.ca.gov

⚠ AVERTISSEMENT: Cancer et effets néfastes sur la reproduction - www.P65Warnings.ca.gov

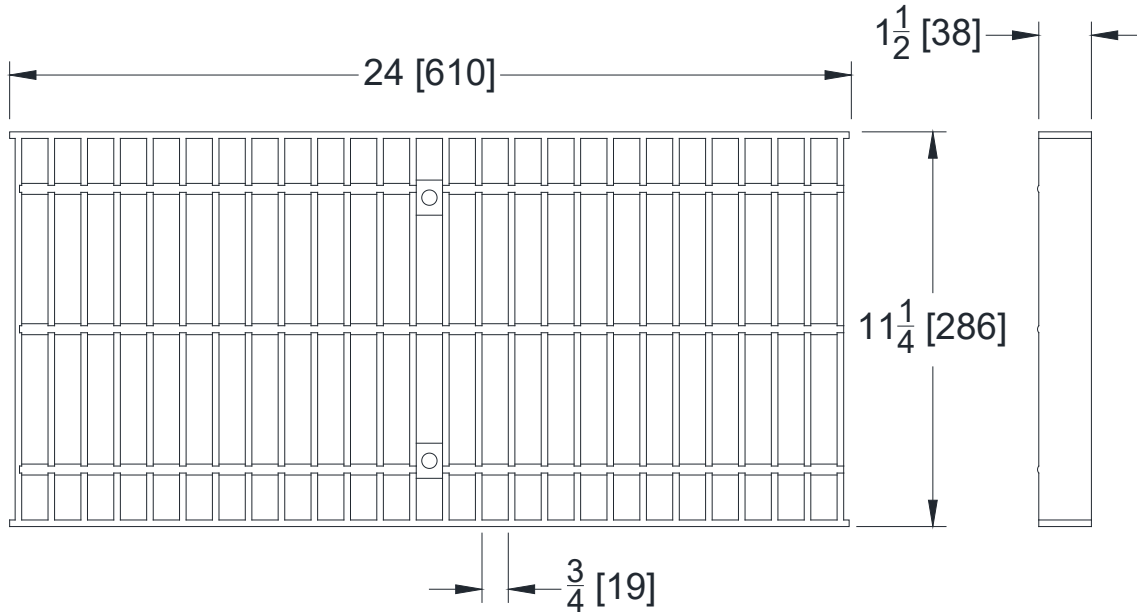


P12-SBG-L
12 [305] WIDE DOMESTIC GRATE

Design and Dimensional Data (inches and [mm]) are Subject to Manufacturing Tolerances and Change Without Notice

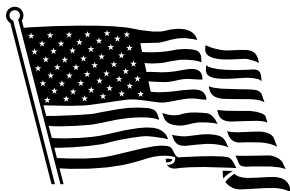
[Back to Index](#)

Please Check ✓	Item No.	Part Number	Item I.D.
—	41	94015	P12-SBG-L



ENGINEERING SPECIFICATION: ZURN P12-SBG-L

Stainless Steel Slotted Bar Grate, is 11-1/4" [286mm] wide X 23-15/16" [608mm] long, weighing 13.9 lbs/ft [21 kg/m]. The grate has an open area of 101.9 in²/ft [2157 cm²/m], DIN Rating of C, ANSI Rating of Heavy-Duty, H-20 Load Rated. Stainless Steel conforms to ASTM A240 Grade CF8 Type 304 (or 316 by request).



MADE IN THE USA

SBG-L - Bar Grate	
Material:	Stainless Steel
DIN Rating:	Class C
Weight:	13.9 lbs/ft [21 kg/m]
Open Area:	101.9 in ² /ft [2157 cm ² /m]
ANSI Rating:	Heavy-Duty
Application:	Vehicle & Truck
Slot Width/Hole Size:	3/4" [19 mm]
ADA:	No
H-20:	Yes
FAA:	No

⚠ WARNING: Cancer and Reproductive Harm - www.P65Warnings.ca.gov

⚠ ADVERTENCIA: Cáncer y daño reproductivo - www.P65Warnings.ca.gov

⚠ AVERTISSEMENT: Cancer et effets néfastes sur la reproduction - www.P65Warnings.ca.gov

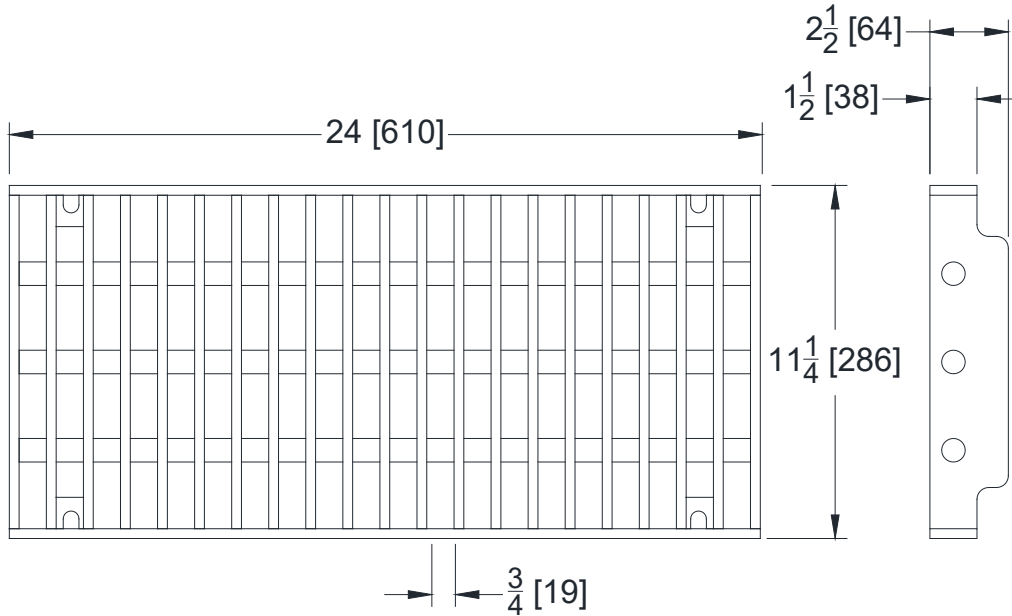


P12-SBGE
12 [305] WIDE GRATE

Design and Dimensional Data (inches and [mm]) are Subject to Manufacturing Tolerances and Change Without Notice

[Back to Index](#)

Please Check ✓	Item No.	Part Number	Item I.D.
—	42	317008	P12-SBGE



ENGINEERING SPECIFICATION: ZURN P12-SBGE

Stainless Steel Slotted Bar Grate with lockdowns, is 11-1/4" [286mm] wide X 23-15/16" [608mm] long, weighing 30 lbs/ft [44.6 kg/m]. The grate has an open area of 36.11 in²/ft [764 cm²/m], DIN Rating of E, ANSI Rating of Special-Duty, H-20 Load Rated and FAA Load Rated. Stainless Steel conforms to ASTM A240 Grade CF8 Type 304 (or 316 by request).

SBGE - Bar Grate	
Material:	Stainless Steel
DIN Rating:	Class E
Weight:	30 lbs/ft [44.6 kg/m]
Open Area:	36.11 in ² /ft [764 cm ² /m]
ANSI Rating:	Special-Duty
Application:	Hard Wheel & Truck
Slot Width/Hole Size:	3/4" [19 mm]
ADA:	No
H-20:	Yes
FAA:	Yes

⚠ WARNING: Cancer and Reproductive Harm - www.P65Warnings.ca.gov

⚠ ADVERTENCIA: Cáncer y daño reproductivo - www.P65Warnings.ca.gov

⚠ AVERTISSEMENT: Cancer et effets néfastes sur la reproduction - www.P65Warnings.ca.gov

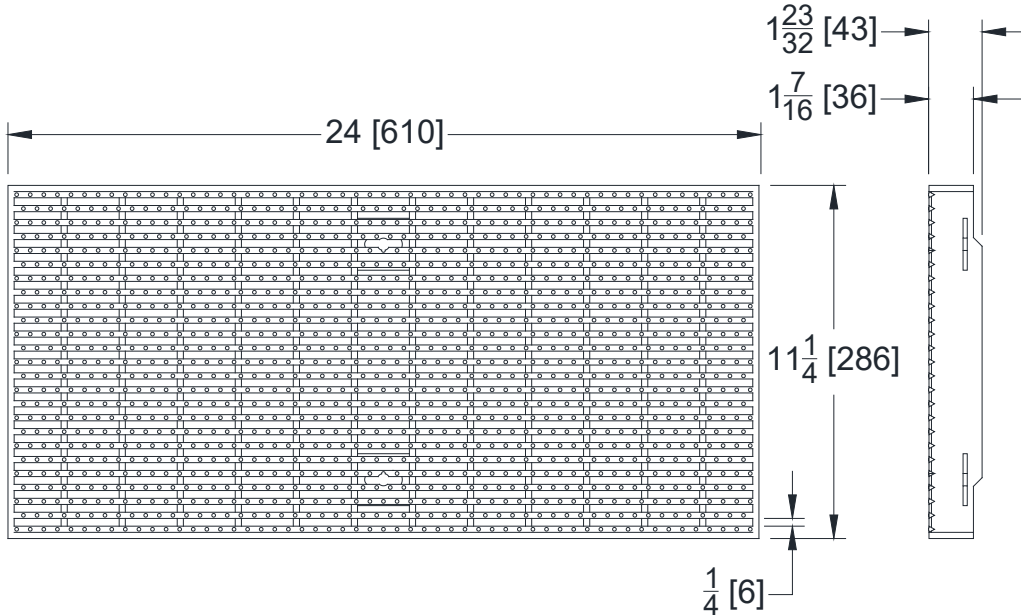


P12-SWGB-AS
12 [305] WIDE GRATE

Design and Dimensional Data (inches and [mm]) are Subject to Manufacturing Tolerances and Change Without Notice

[Back to Index](#)

Please Check ✓	Item No.	Part Number	Item I.D.
___	43	321194	P12-SWGB-AS



ENGINEERING SPECIFICATION: ZURN P12-SWGB-AS

Slip Resistant Stainless Steel Wire Grate, is 11-1/4" [286mm] wide X 23-15/16" [608mm] long, weighing 19.7 lbs/ft [29.3 kg/m]. The grate has an open area of 71.3 in²/ft [1509 cm²/m], DIN Rating of B, ANSI Rating of Medium-Duty & ADA Compliant. Stainless Steel conforms to ASTM A240 Grade CF8 Type 304 (or 316 by request).

SWGB-AS - Anti-Slip Wire Grate	
Material:	Stainless Steel
DIN Rating:	Class B
Weight:	19.7 lbs/ft [29.3 kg/m]
Open Area:	71.3 in ² /ft [1509 cm ² /m]
ANSI Rating:	Medium-Duty
Application:	Light Vehicle
Slot Width/Hole Size:	1/4" [6 mm]
ADA:	Yes
H-20:	No
FAA:	No

⚠ WARNING: Cancer and Reproductive Harm - www.P65Warnings.ca.gov

⚠ ADVERTENCIA: Cáncer y daño reproductivo - www.P65Warnings.ca.gov

⚠ AVERTISSEMENT: Cancer et effets néfastes sur la reproduction - www.P65Warnings.ca.gov

Zurn Industries, LLC | Specification Drainage Operation
1801 Pittsburgh Avenue, Erie, PA 16502, Ph. 855.663.9876

In Canada | Zurn Industries Limited
7900 Goreway Drive, Unit 10, Brampton, Ontario L6T 5W6, Ph. 877.892.5216

www.zurn.com

Rev. AD
Date: 05/20/25
C.N. No. 146570
Patent zurn.com/patents
Prod. | Dwg. No. FT649

Page 44 of 45

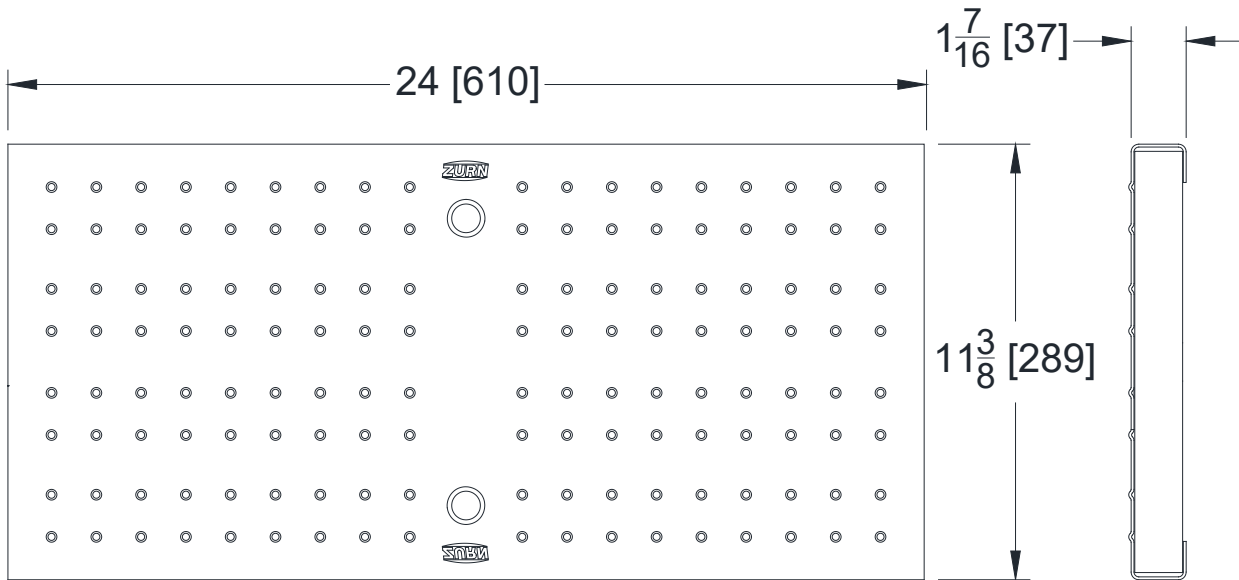


P12-SSCD
12 [305] WIDE DOMESTIC COVER

Design and Dimensional Data (inches and [mm]) are Subject to Manufacturing Tolerances and Change Without Notice

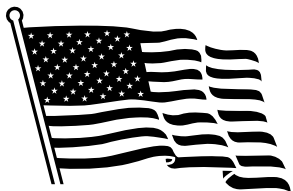
[Back to Index](#)

Please Check ✓	Item No.	Part Number	Item I.D.
—	44	60745	P12-SSCD



ENGINEERING SPECIFICATION: ZURN P12-SSCD

Reinforced Solid Cover, Stainless Steel, is 11-3/8" [289mm] wide X 24" [610mm] long, weighing 11.7 lbs/ft [17 kg/m]. The cover has a DIN Rating of B, ANSI Rating of Medium-Duty and is ADA Compliant. Stainless Steel conforms to ASTM A351 Grade CF8 (Type 304).



MADE IN THE USA

SSCD - Stainless Steel Solid Cover	
Material:	Stainless Steel
DIN Rating:	Class B
Weight:	11.7 lbs/ft [17 kg/m]
Open Area:	N/A
ANSI Rating:	Medium-Duty
Application:	Light Vehicle
Slot Width/Hole Size:	N/A
ADA:	Yes
H-20:	No
FAA:	No

⚠ WARNING: Cancer and Reproductive Harm - www.P65Warnings.ca.gov

⚠ ADVERTENCIA: Cáncer y daño reproductivo - www.P65Warnings.ca.gov

⚠ AVERTISSEMENT: Cancer et effets néfastes sur la reproduction - www.P65Warnings.ca.gov

Zurn Industries, LLC | Specification Drainage Operation
1801 Pittsburgh Avenue, Erie, PA 16502, Ph. 855.663.9876

In Canada | Zurn Industries Limited
7900 Goreway Drive, Unit 10, Brampton, Ontario L6T 5W6, Ph. 877.892.5216

www.zurn.com

Rev. AD
Date: 05/20/25
C.N. No. 146570
Patent zurn.com/patents
Prod. | Dwg. No. FT649