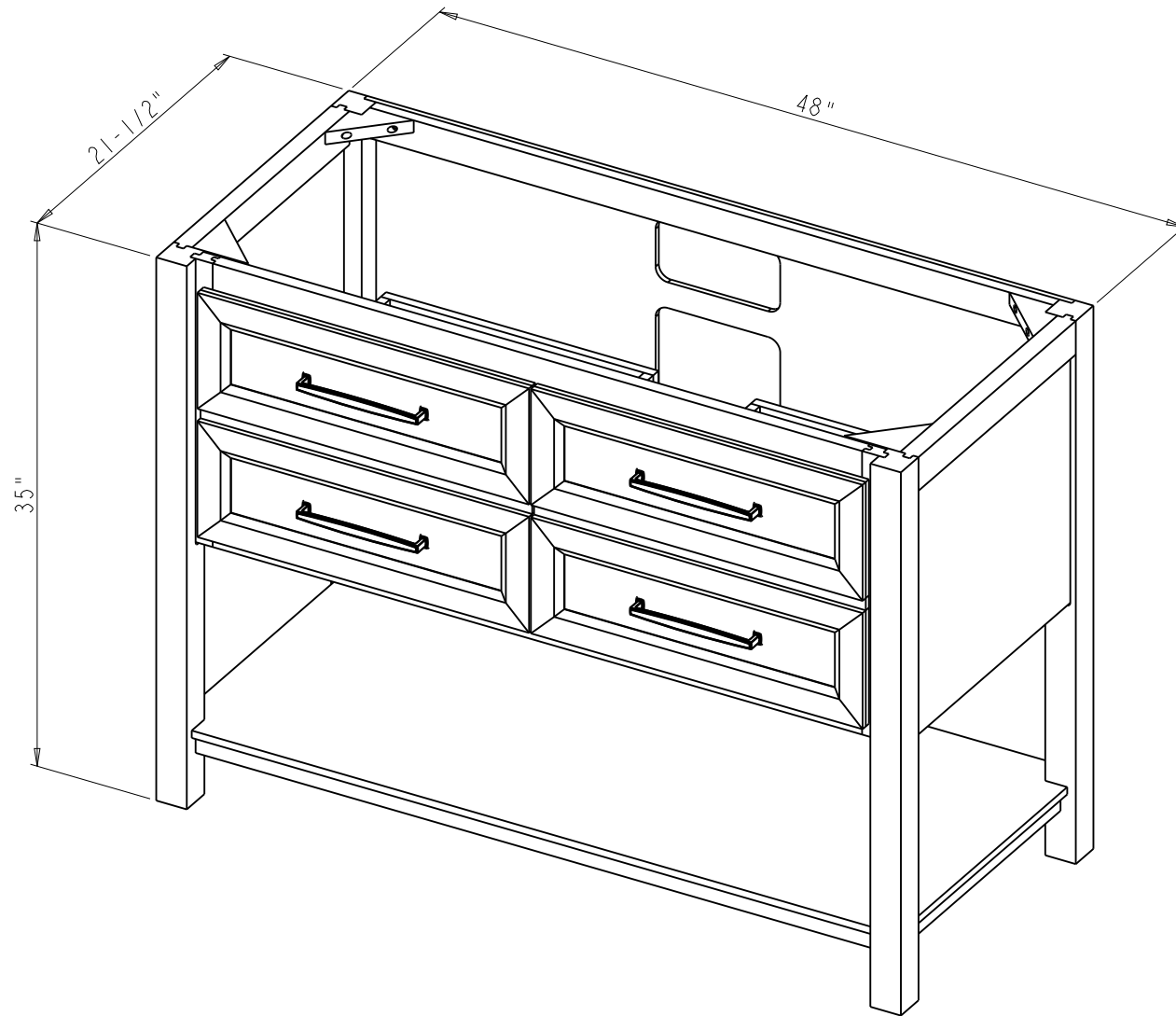



Specification:

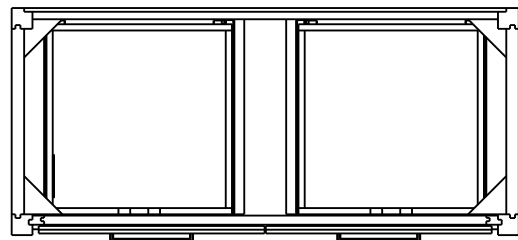
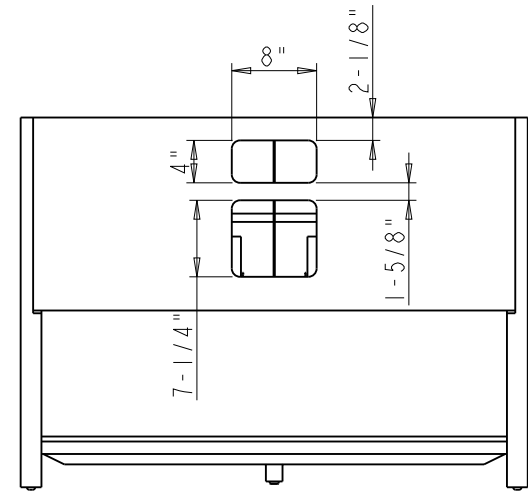
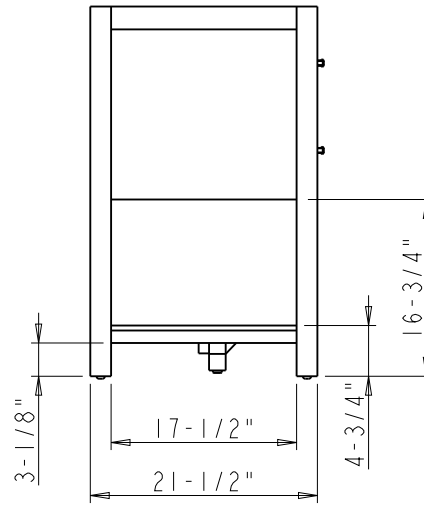
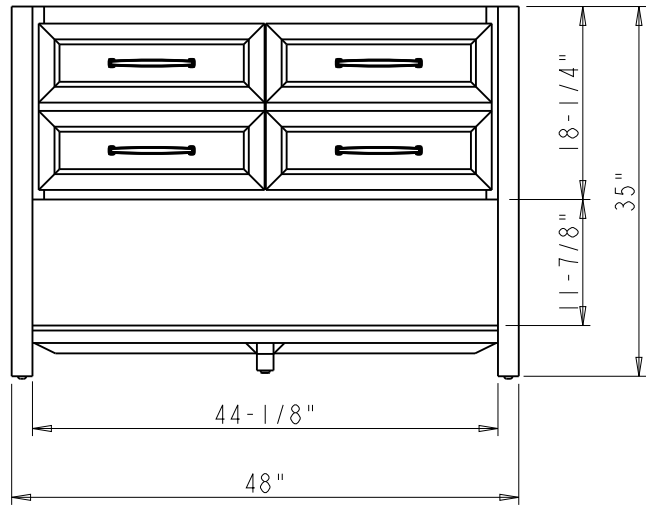
1. Finish: See Table
2. Hardware: See Table
3. Hinge: 7390-2C ( 4 PCS )
4. Slide: USE58-300-18 + USCLIP2ND- 4W ( 2 Sets )
5. The tolerance is +/- 1/8"

Item number	Finish	Deco Hardware	
		Item number	Qty
VN2KIP-48-DW-NT	Dark Walnut	171-192BG	4
VN2KIP-48-BK-NT	Black	171-192SBZ	4
VN2KIP-48-NO-NT	Natural Oak	171-192MB	4
VN2KIP-48-WH-NT	White	171-192BG	4

<p><b>PROPRIETARY AND CONFIDENTIAL</b></p> <p>THE INFORMATION CONTAINED IN THIS DRAWING IS THE SOLE PROPERTY OF HARDWARE RESOURCES INC. ANY REPRODUCTION IN PART OR AS A WHOLE WITHOUT THE WRITTEN PERMISSION OF HARDWARE RESOURCES INC. IS PROHIBITED.</p> <p>DO NOT SCALE DRAWING</p>	ITEM#: VN2KIP-48	MATERIAL:	
	FINISH:	WEIGHT: 9	
	TOLERANCE UNLESS OTHERWISE SPECIFIED: X ±0.20 X.X ±0.10 X.XX ±0.05 ANGULAR: ±0.5°	UNITS: DRAWN BY: <i>Hugo.cai</i>	DATE: Sep-27-22
	SIZE: SHEET:	APPROVED BY: RELEASE LEVEL:	DATE: REVISION:



 <p><b>PROPRIETARY AND CONFIDENTIAL</b></p> <p>THE INFORMATION CONTAINED IN THIS DRAWING IS THE SOLE PROPERTY OF HARDWARE RESOURCES INC. ANY REPRODUCTION IN PART OR AS A WHOLE WITHOUT THE WRITTEN PERMISSION OF HARDWARE RESOURCES INC. IS PROHIBITED.</p>	ITEM#: VN2KIP - 48		MATERIAL:		
	FINISH:		WEIGHT: 9		
	TOLERANCE UNLESS OTHERWISE SPECIFIED: X ±0.20 X.X ±0.10 X.XX ±0.05 ANGULAR: ±0.5°		UNITS:	DRAWN BY: <i>Hugo.cai</i>	DATE: Sep-27-22
	DO NOT SCALE DRAWING		SIZE:	APPROVED BY:	DATE:
		SHEET:	RELEASE LEVEL:	REVISION:	



	ITEM#: VN2KIP-48		MATERIAL:		
	FINISH:		WEIGHT:		
<p><b>PROPRIETARY AND CONFIDENTIAL</b></p> <p>THE INFORMATION CONTAINED IN THIS DRAWING IS THE SOLE PROPERTY OF HARDWARE RESOURCES INC. ANY REPRODUCTION IN PART OR AS A WHOLE WITHOUT THE WRITTEN PERMISSION OF HARDWARE RESOURCES INC. IS PROHIBITED.</p> <p>DO NOT SCALE DRAWING</p>	<p>TOLERANCE UNLESS OTHERWISE SPECIFIED:</p> <p>X ±0.20</p> <p>X.X ±0.10</p> <p>X.XX ±0.05</p> <p>ANGULAR: ±0.5°</p>		<p>UNITS:</p>	<p>DRAWN BY:</p> <p><i>Hugo.cai</i></p>	<p>DATE:</p> <p>Sep-27-22</p>
	<p>APPROVED BY:</p>		<p>SIZE:</p>	<p>APPROVED BY:</p>	<p>DATE:</p>
	<p>PROJECTION</p>		<p>SHEET:</p>	<p>RELEASE LEVEL:</p>	<p>REVISION:</p>
	<p>9</p>		<p>9</p>		<p>9</p>