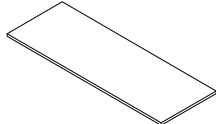
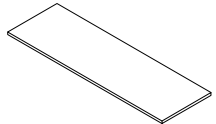
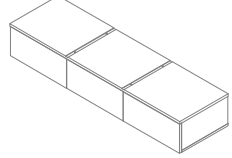
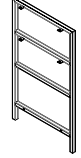
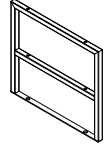
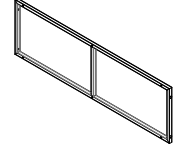
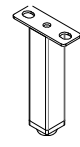
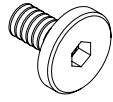
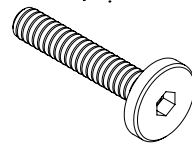
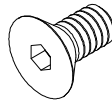
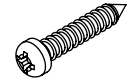
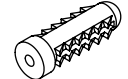


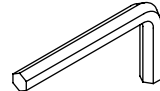
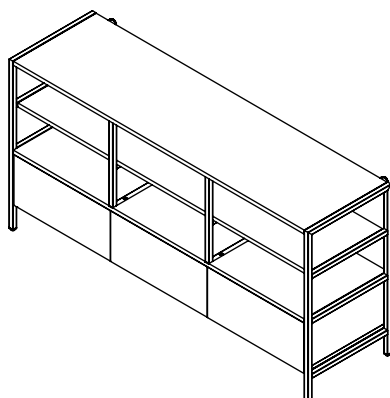


ASSEMBLY INSTRUCTION

3-DOOR MEDIA CENTER

A Top Panel  1PC	B Lower Panel  1PC	C Drawer  1PC	D Side Frame  2PCS
E Center Frame  2PCS	F Lower Frame  1PC	G Metal Leg  1PC	H Bolt $1/4" \times 1/2" \times \text{Ø}15$  12PCS
I Bolt $1/4" \times 1-1/4" \times \text{Ø}15$  18PCS	J Bolt $1/4" \times 1/2" \times \text{Ø}15$  4PCS	K Wood Screw $4 \times 25 \times 9\text{mm}$ (Anti-Tipping)  2PCS	L Wall Anchor (Anti-Tipping)  2PCS
M Mounting Plate (Anti-Tipping)  4PCS	N Connection Strap (Anti-Tipping)  2PCS	O Allen Wrench $1/4"$  1PC	

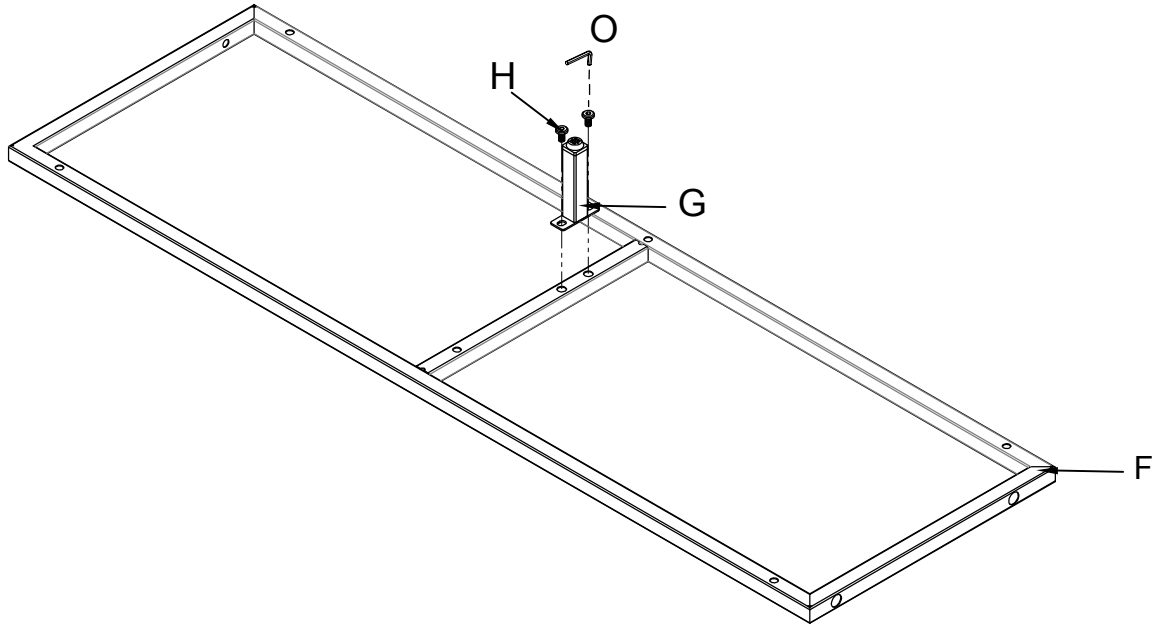


This page lists all the contents included in the box. Please take the time to identify the hardware as well as the individual components to this product. As you unpack and prepare for assembly, place the contents on a carpeted or padded area to protect them from damage.

***Do not tighten screws & bolts until the entire unit is completely assembled.

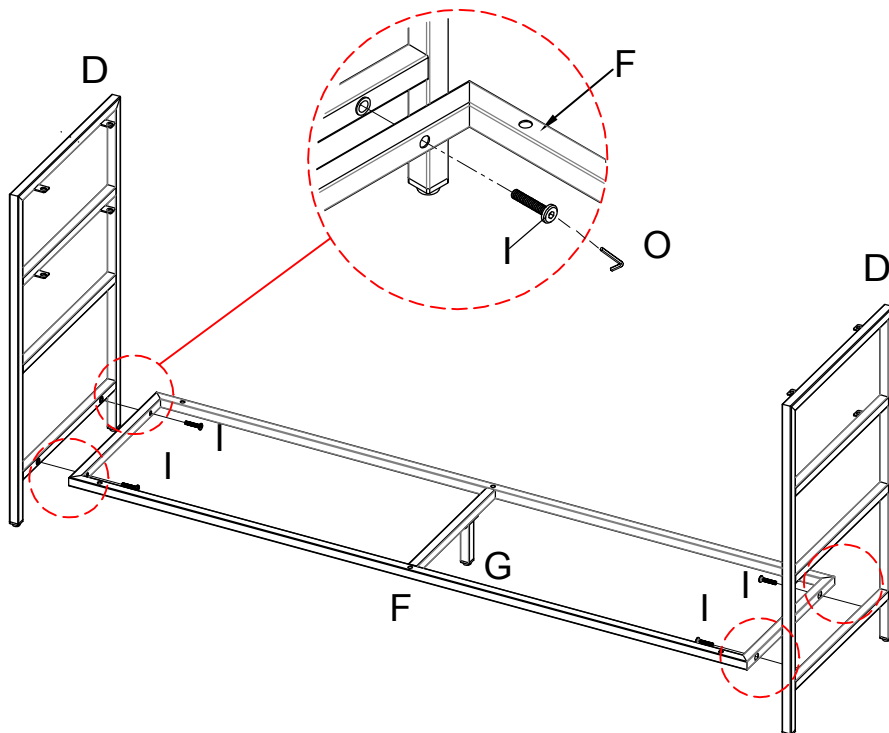
1

Attach Metal Leg (G) to the Lower Frame (F) by using Bolt (H) and Allen Wrench (O) as shown.



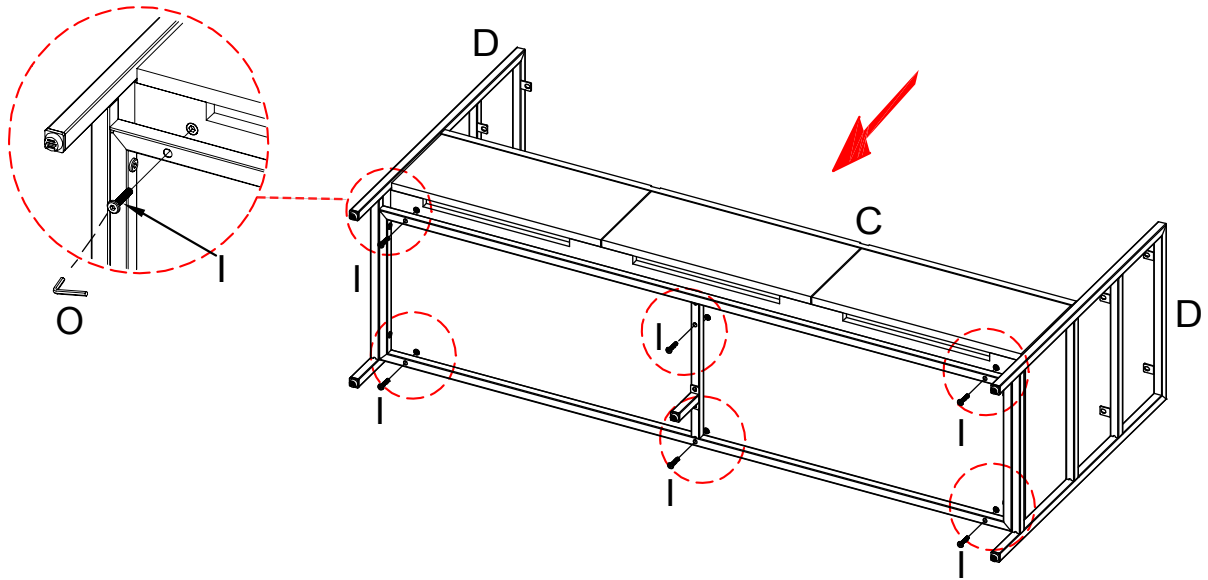
2

Attach Side Frame (D) to the Lower Frame (F) by using Bolt (I) and Allen Wrench (O) as shown.



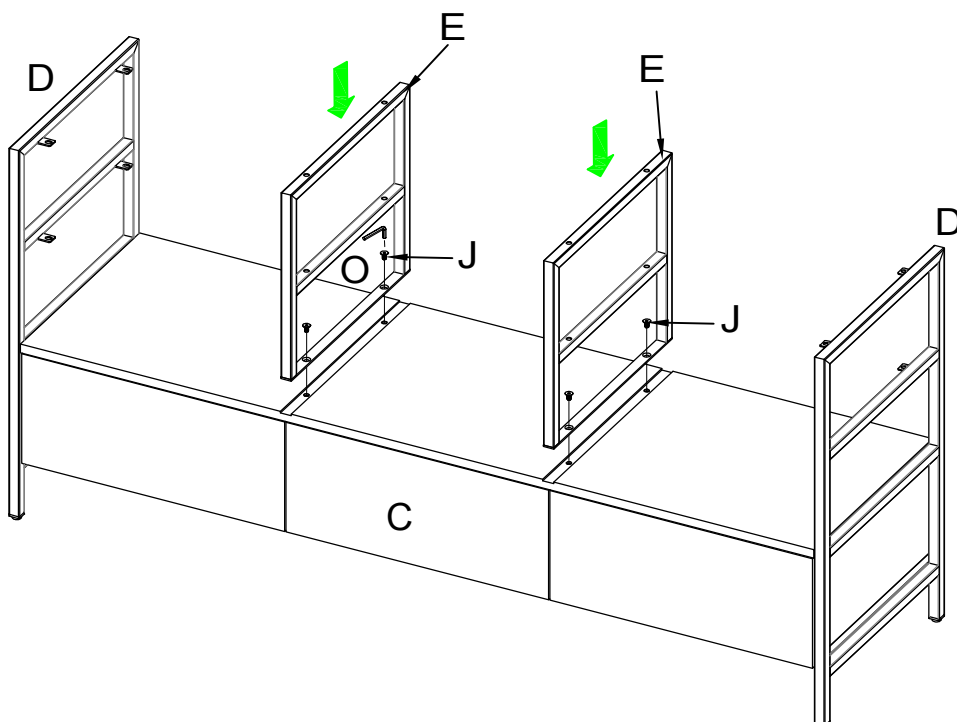
3

Attach Drawer (C) to the metal base by using Bolt (I) and Allen Wrench (O) as shown.



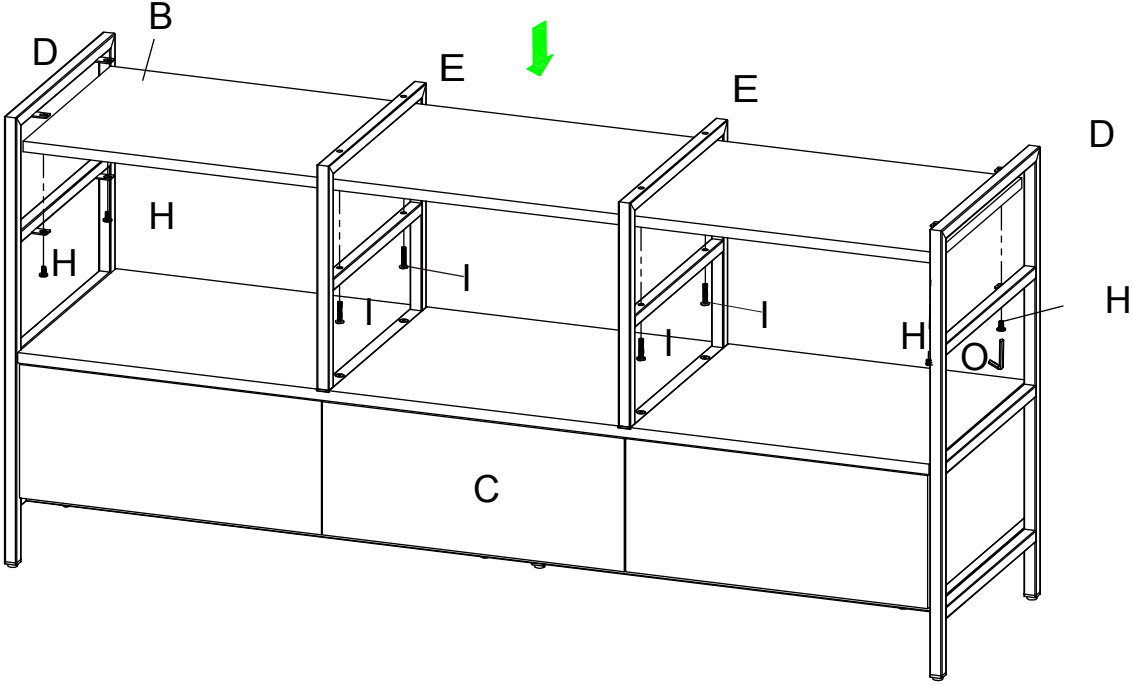
4

Attach Center Frame (E) to the Drawer (C) by using Bolt (J) and Allen Wrench (O) as shown.



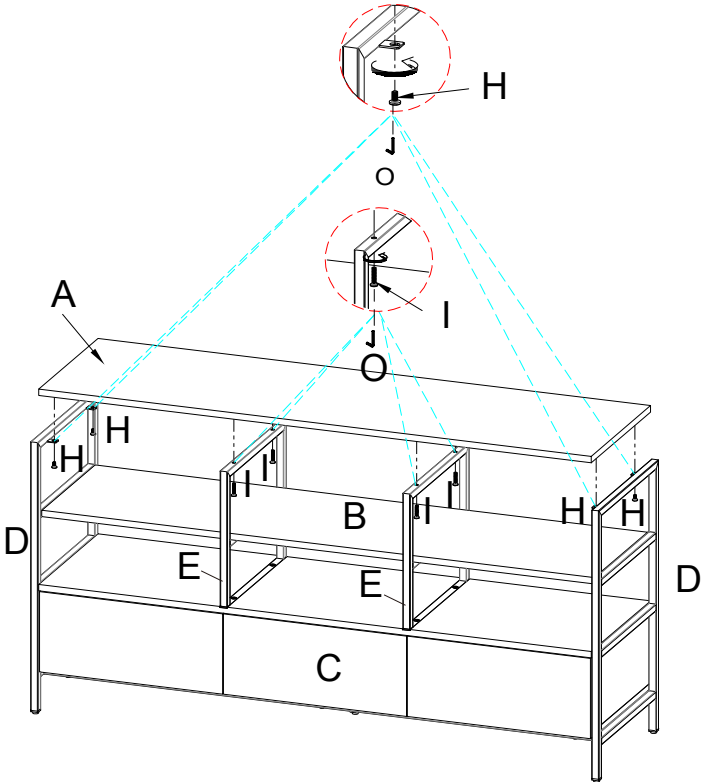
5

Attach Lower Panel (B) to the Side Frame (D) and Center Frame (E) by using Bolt (H), Bolt (I) and Allen Wrench (O) as shown.



6

Attach Top Panel (A) to the Side Frame (D) and Center Frame (E) by using Bolt (H), Bolt (I) and Allen Wrench (O) as shown.



7

***NOTE: WE RECOMMEND THAT YOU ATTACH THE PRODUCT TO YOUR WALL AS A SAFETY PRECAUTION.**

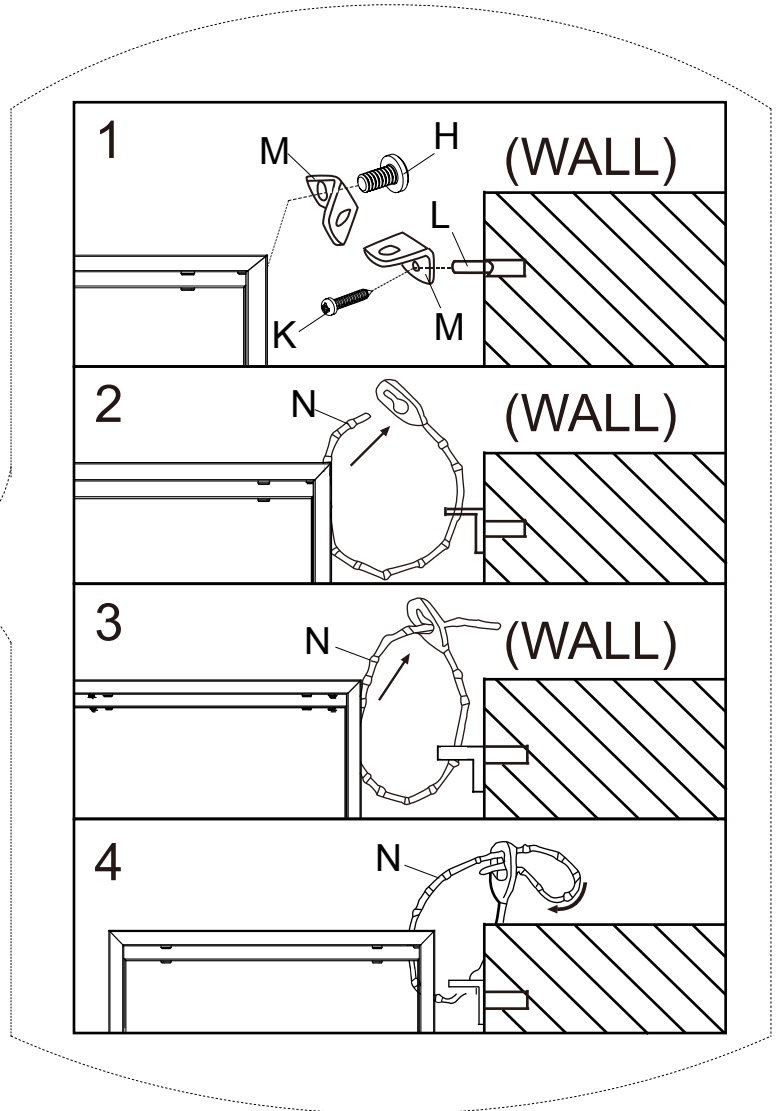
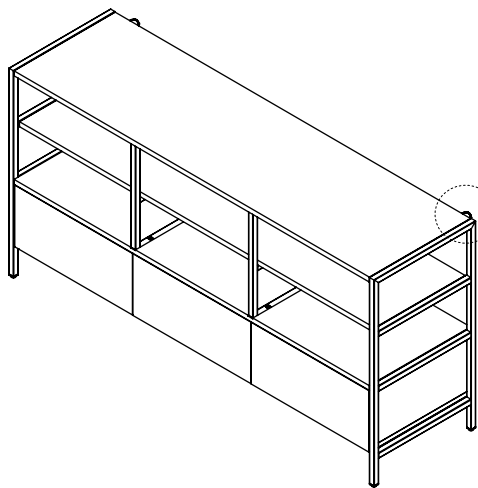
(1) Attach Mounting Plate (M) to the Bottom of the Top Panel (A) with Bolt (H), making sure the Mounting Plate (M) extend **DOWNWARD** as shown.

(2) Drill 2 holes in your wall approximately 2" **BELOW** the corresponding positions of Mounting Plate (M) and insert Wall Anchor (L) as shown.

***NOTE: You may need to tap LIGHTLY with a rubber mallet.**

(3) Attach Mounting Plate (M) to Wall Anchor (L) with Wood Screw (K) using a Philips Head Screwdriver (not provided). Make sure the Mounting Plate (M) extend **UPWARD**.

(4) Now connect the corresponding Mounting Plate (M) with Connection Strap (N) and tighten as desired before locking in place.

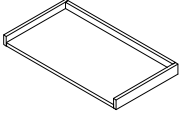



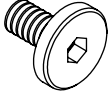
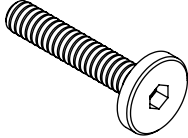
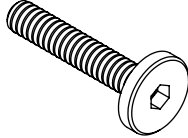
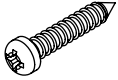
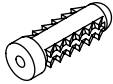


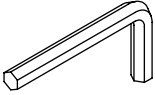


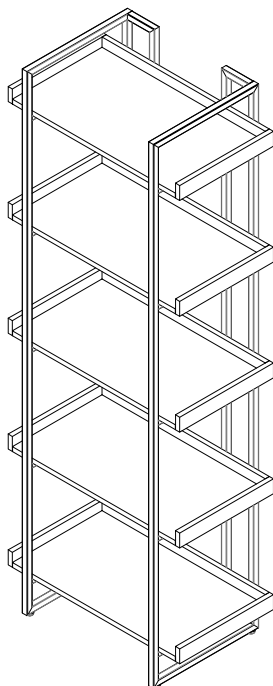
Cleaning & Care

Treat surface with care. Surface is resistant to scratches but is not scratch resistant. Clean surfaces with a dry or damp soft cloth. Do not use abrasive cleaners. Hardware may loosen over time. Periodically check that all connections are tight.

ASSEMBLY INSTRUCTION

26"W BOOKCASE

<p>A Shelf Panel</p>  <p>5PCS</p>	<p>B Side Frame - RSF</p>  <p>1PC</p>	<p>C Side Frame - LSF</p>  <p>1PC</p>	<p>D Back Frame</p>  <p>2PCS</p>
<p>E Bolt 1/4"x1/2"xØ15</p>  <p>8PCS</p>	<p>F Bolt 1/4"x1"xØ15</p>  <p>10PCS</p>	<p>G Bolt 1/4"x1-1/4"xØ15</p>  <p>20PCS</p>	<p>H Wood Screw 4 x 25 x 9mm (Anti-Tipping)</p>  <p>2PCS</p>
<p>I Wall Anchor (Anti-Tipping)</p>  <p>2PCS</p>	<p>J Mounting Plate (Anti-Tipping)</p>  <p>4PCS</p>	<p>K Connection Strap (Anti-Tipping)</p>  <p>2PCS</p>	<p>L Allen Wrench 1/4"</p>  <p>1PC</p>

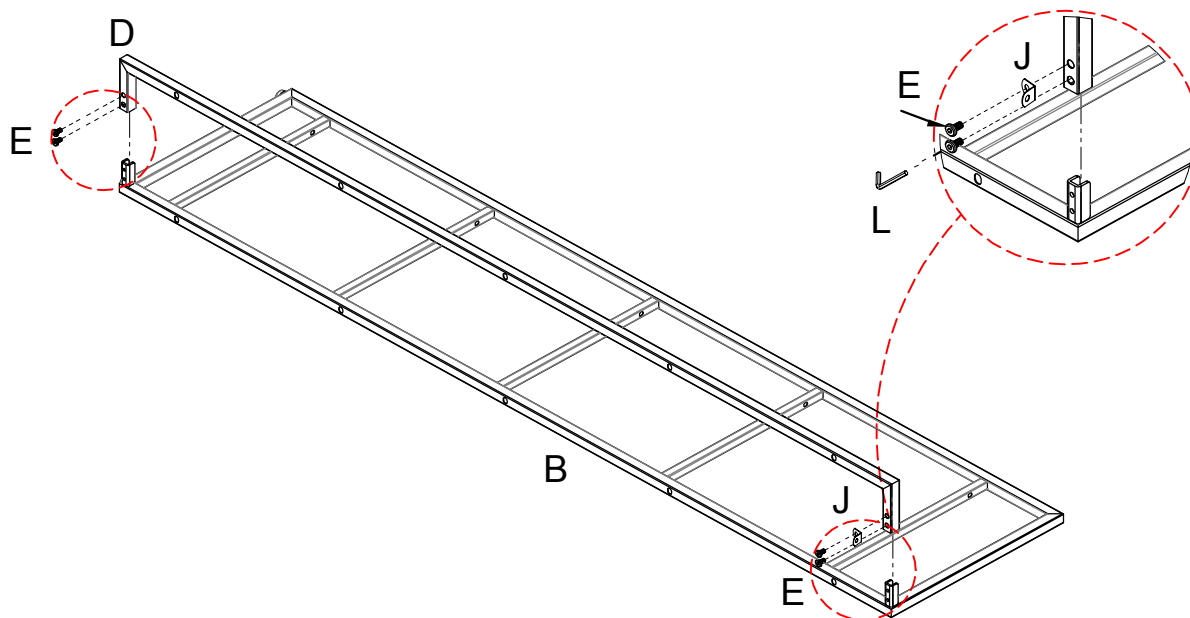


This page lists all the contents included in the box. Please take the time to identify the hardware as well as the individual components to this product. As you unpack and prepare for assembly, place the contents on a carpeted or padded area to protect them from damage.

***Do not tighten screws & bolts until the entire unit is completely assembled.

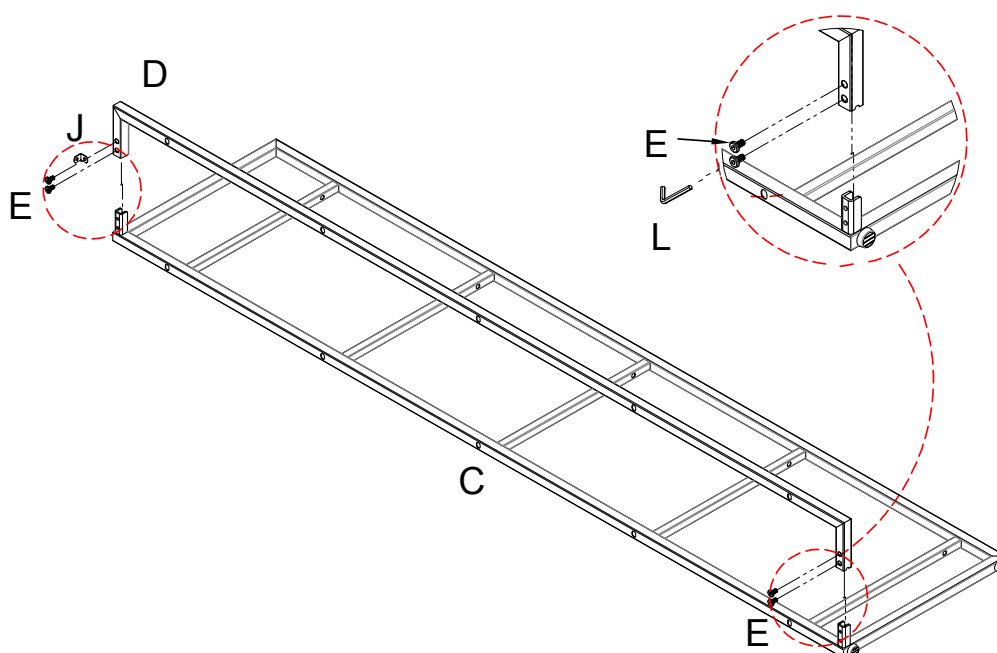
1

Attach Mounting Plate (J) to the Back Frame (D) and Side Frame - RSF (B) with Bolt (E) and Allen Wrench (L), making sure the Mounting Plate (J) extend DOWNWARD as shown.



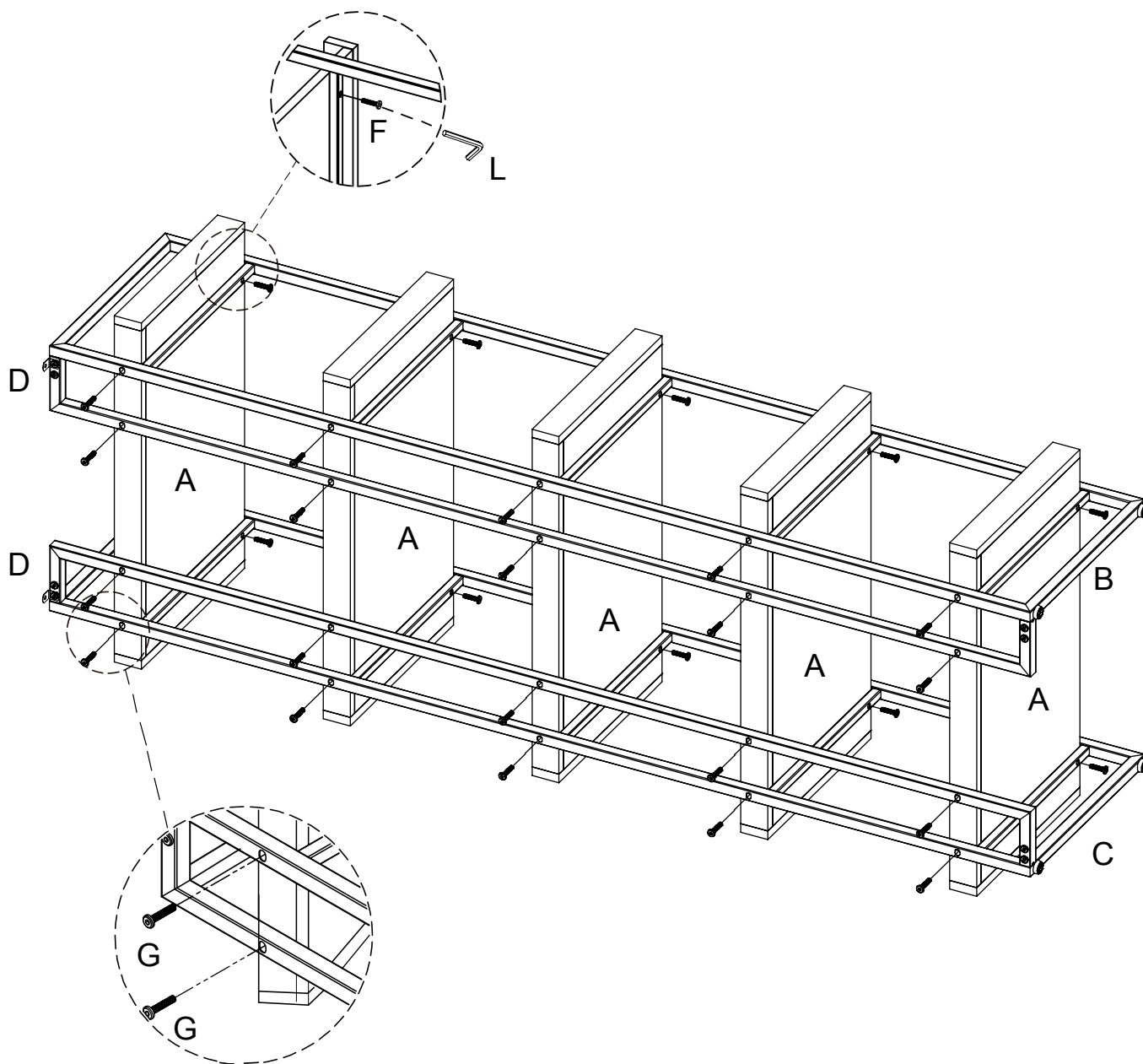
2

Attach Mounting Plate (J) to the Back Frame (D) and Side Frame - LSF (C) with Bolt (E) and Allen Wrench (L), making sure the Mounting Plate (J) extend DOWNWARD as shown.



3

Attach Shelf Panel (A) to the Side Frame by using Bolt (G), Bolt (F) and Allen Wrench (L) as shown.



4

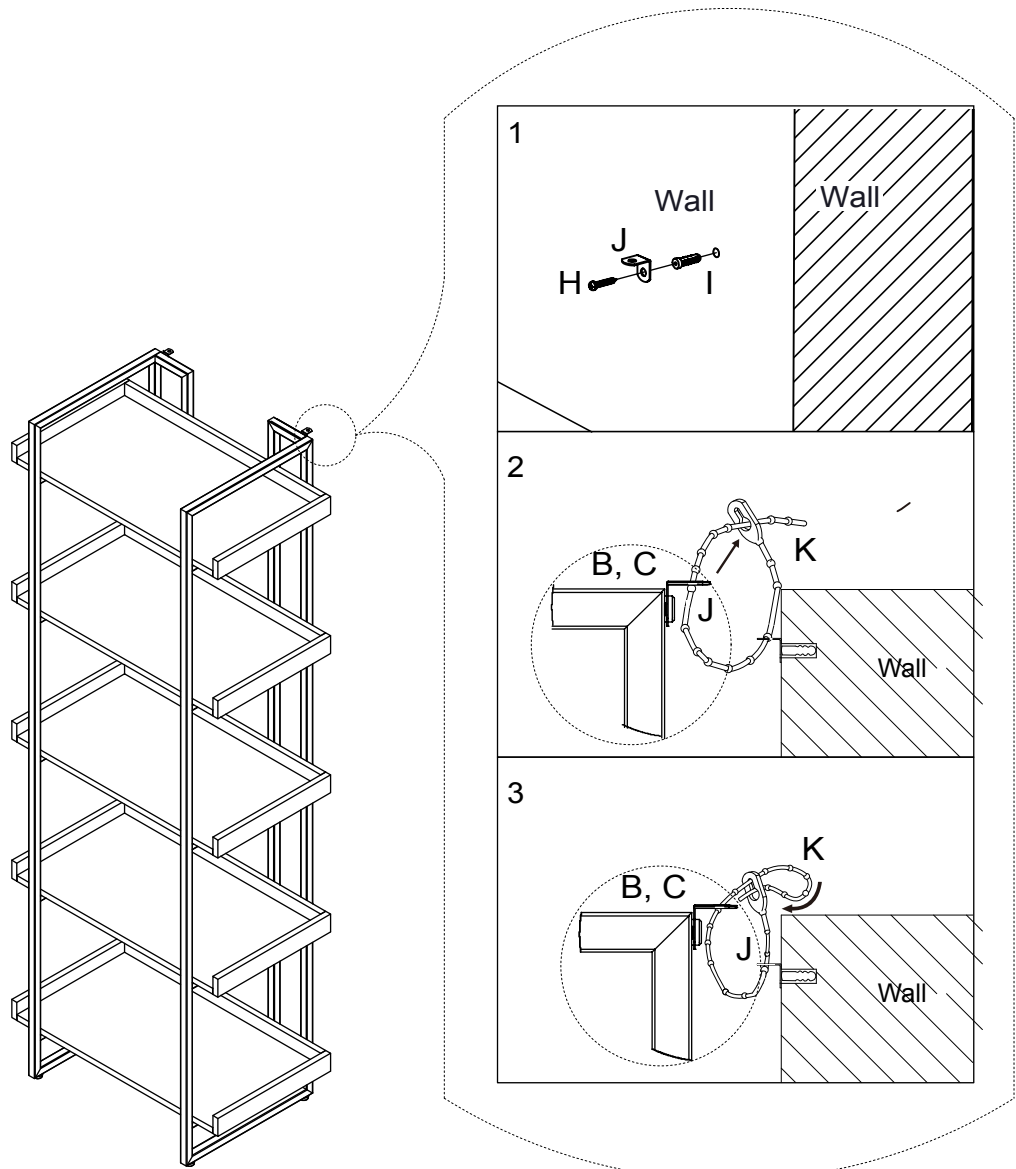
*NOTE: WE RECOMMEND THAT YOU ATTACH THE PRODUCT TO YOUR WALL AS A SAFETY PRECAUTION.

Drill 2 (Two) holes in your wall approximately 2" (Two Inches) BELOW the corresponding positions of Mounting Plate (J) and insert Wall Anchor (I) as shown.

*NOTE: You may need to tap LIGHTLY with a rubber mallet.

Attach Mounting Plate (J) to Connection Strap (K) with Wood Screw (H), making sure the Tabs extend UPWARD.

Now connect the corresponding Mounting Plate (J) with Connection Strap (K) and tighten as described before locking in place.



Cleaning & Care

Treat surface with care. Surface is resistant to scratches but is not scratch resistant. Clean surfaces with a dry or damp soft cloth. Do not use abrasive cleaners. Hardware may loosen over time. Periodically check that all connections are tight.