



METRO WET

903352FMM-NWA

METRO WET 52" FAN

DETAILS	
FAN FINISH:	Metallic Matte Bronze
BLADE COUNT:	5
SLOPE DEGREE:	20

DIMENSIONS	
WIDTH:	52"
HEIGHT:	9.8"

LIGHT SOURCE	
VOLTAGE:	120v

MOUNTING	
CANOPY:	6" Dia.
LEAD WIRE:	1 x 76"

SHIPPING	
CARTON LENGTH:	23.2
CARTON WIDTH:	13.4
CARTON HEIGHT:	10.3

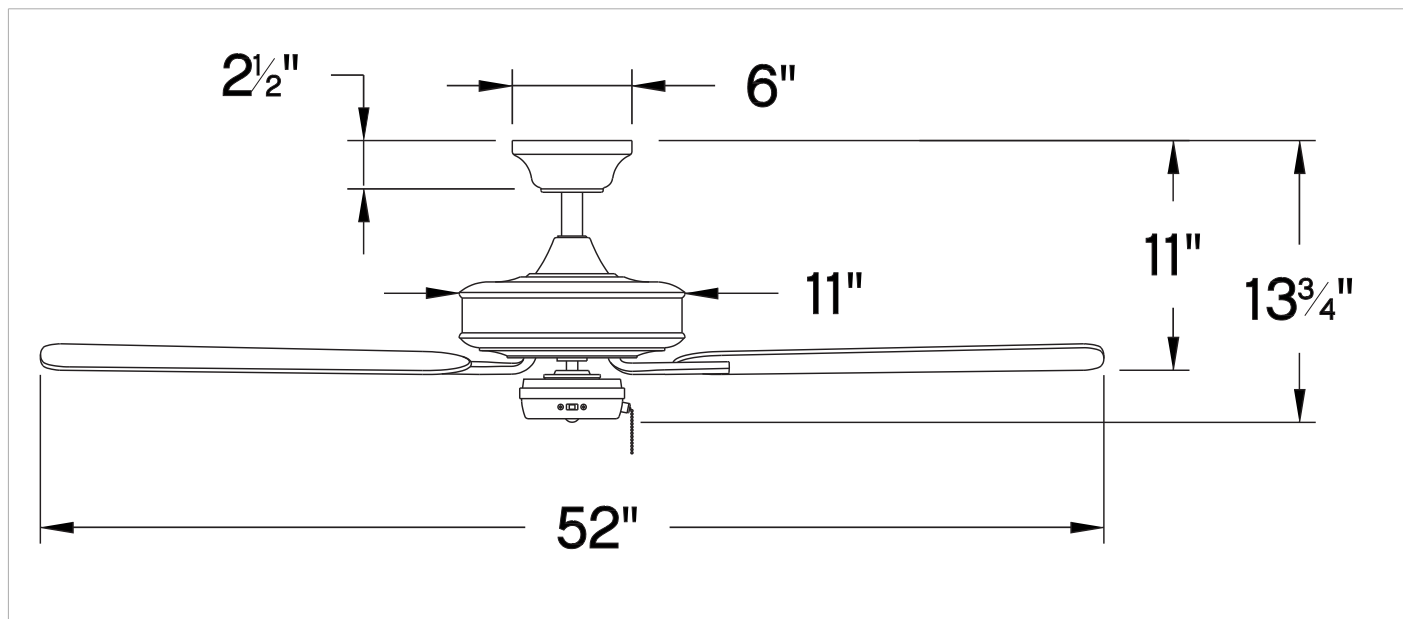
The Metro Wet ceiling fan evokes a sense of timeless tradition to indoor and outdoor settings. Composed of Composite blades, Metro is available in Brushed Nickel with Silver blades, Chalk White with Chalk White blades, Matte Black with Matte Black blades, and Metallic Matte Bronze with Walnut blades. Wet-rated, Metro Wet is versatile enough to be used for both indoor and outdoor spaces and is part of the Regency Collection.

PRODUCT DETAILS:

- Can be hung on a sloped ceiling
- This item includes a 4.5" down rod (other lengths of down rods are available)
- Control your fan's power, light, speed, direction, and so much more from the Hinkley Home Automation app
- Pull chain manual reverse, accessory controls available
- An optional light kit is available
- Part of the Regency Series of traditional ceiling fans designed to enhance a wide variety of spaces with versatile designs and classic finishes
- Dual Mount design can hung directly to the canopy or with an included downrod
- Motor carries a lifetime warranty

METRO WET 52" FAN

903352FMM-NWA



PERFORMANCE SPECIFICATIONS	STANDARD		DUAL MOUNT	
	HIGH SPEED	AVERAGE SPEED	HIGH SPEED	AVERAGE SPEED
Airflow	4672	3189	4167	2884
EnergyUse	57.7	35	57.6	35
EnergyCost	16	10	16	10
Efficiency	81	90	72.3	82
AMPS	0.49	0.35	0.49	0.35
RPMS	154	105	152	34