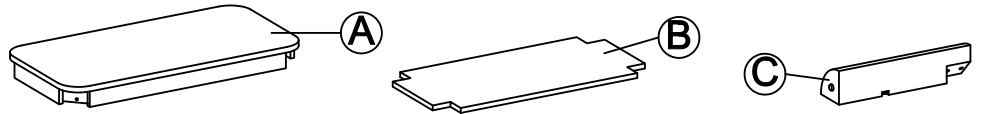


COSMO COFFEE TABLE ASSEMBLY INSTRUCTIONS



PARTS PACKING CONFIGURATIONS

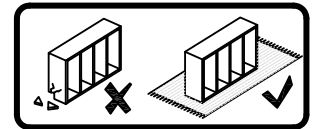
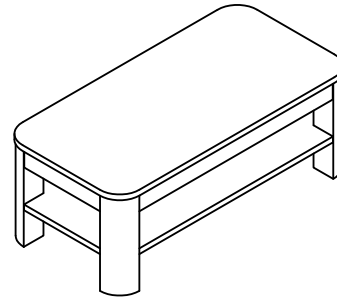
A.TOP 1PC
B.SHELF 1PC
C.LEG 4PCS



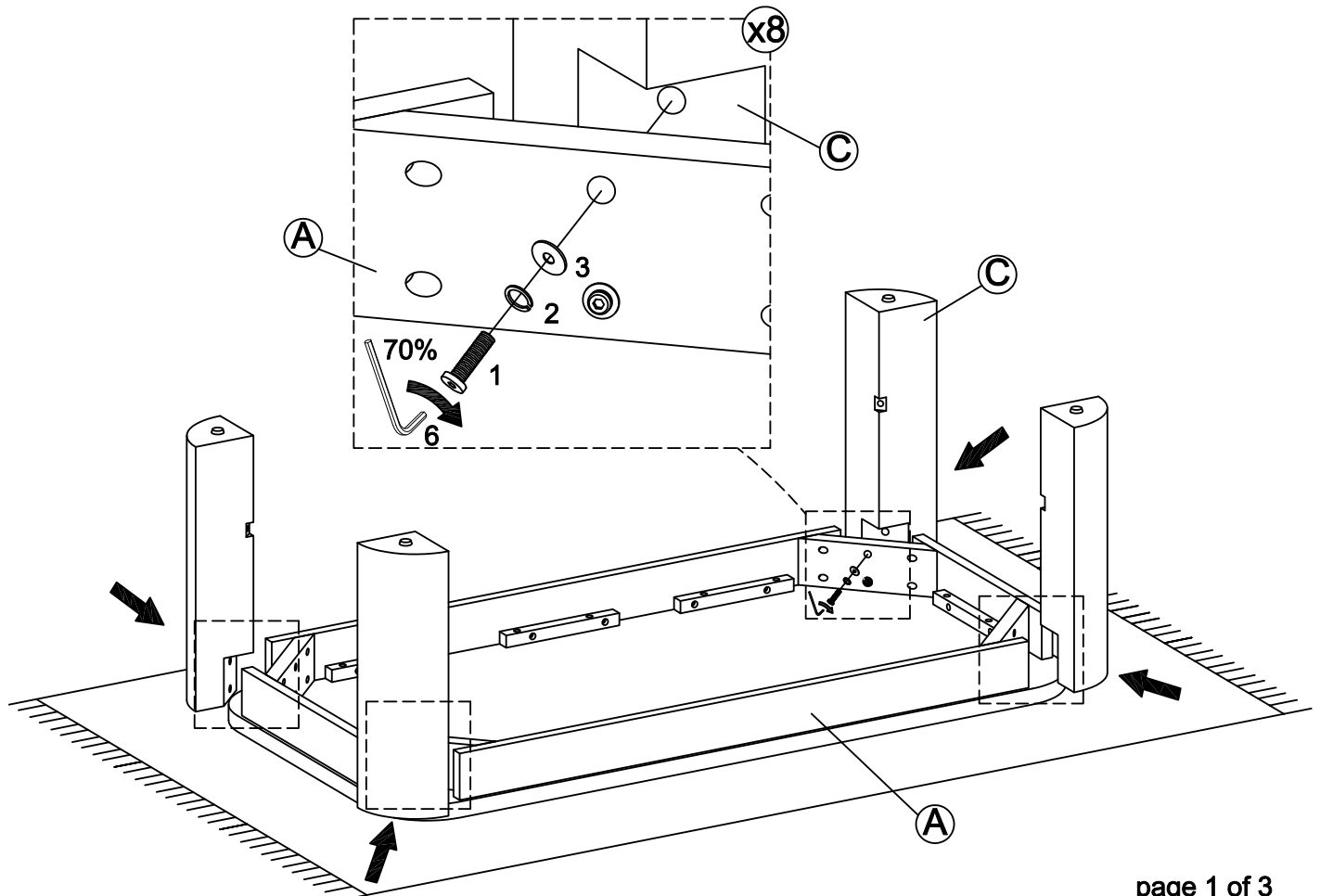
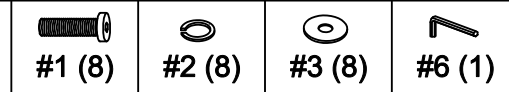
HARDWARE KIT PACKED IN BOX

NO.	DESCRIPTION	IMAGE	Q'TY
1	ALLEN BOLT (5/16"x2-1/4")		8 PCS
2	LOCK WASHER (5/16")		16 PCS
3	FLAT WASHER (5/16"x3/4")		8 PCS
4	ALLEN BOLT (5/16"x3/4")		8 PCS
5	FLAT WASHER (5/16"x1/2")		8 PCS
6	ALLEN KEY (5mm)		1 PC
7	SHELF SUPPORT BRACKET		4 PCS

FULLY ASSEMBLED



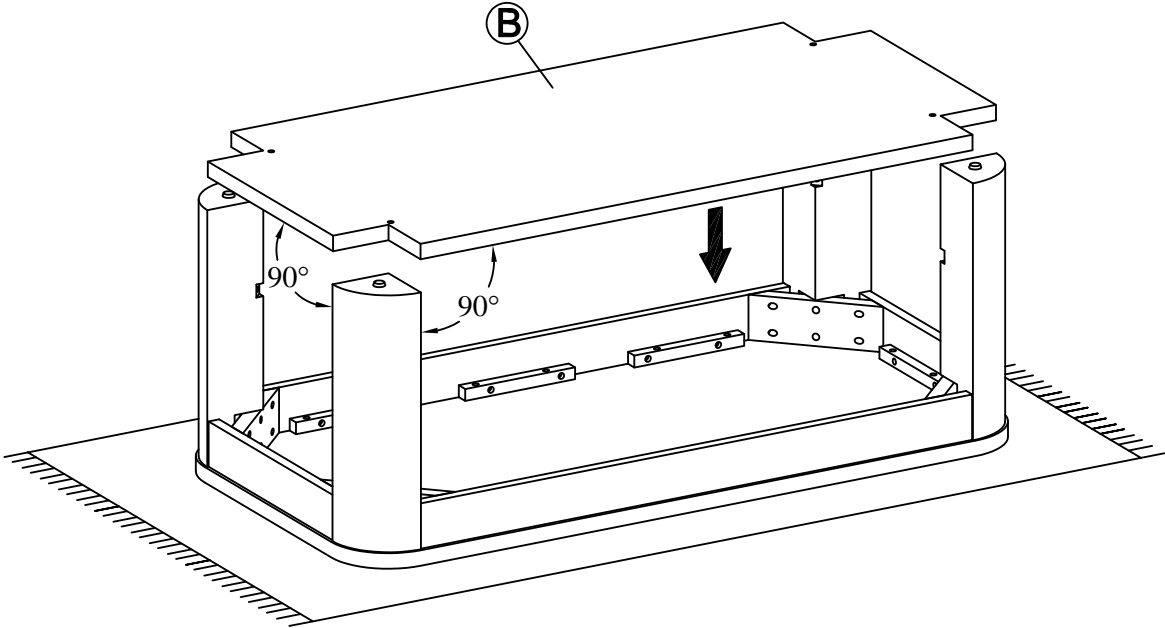
Step 1:



COSMO COFFEE TABLE ASSEMBLY INSTRUCTIONS

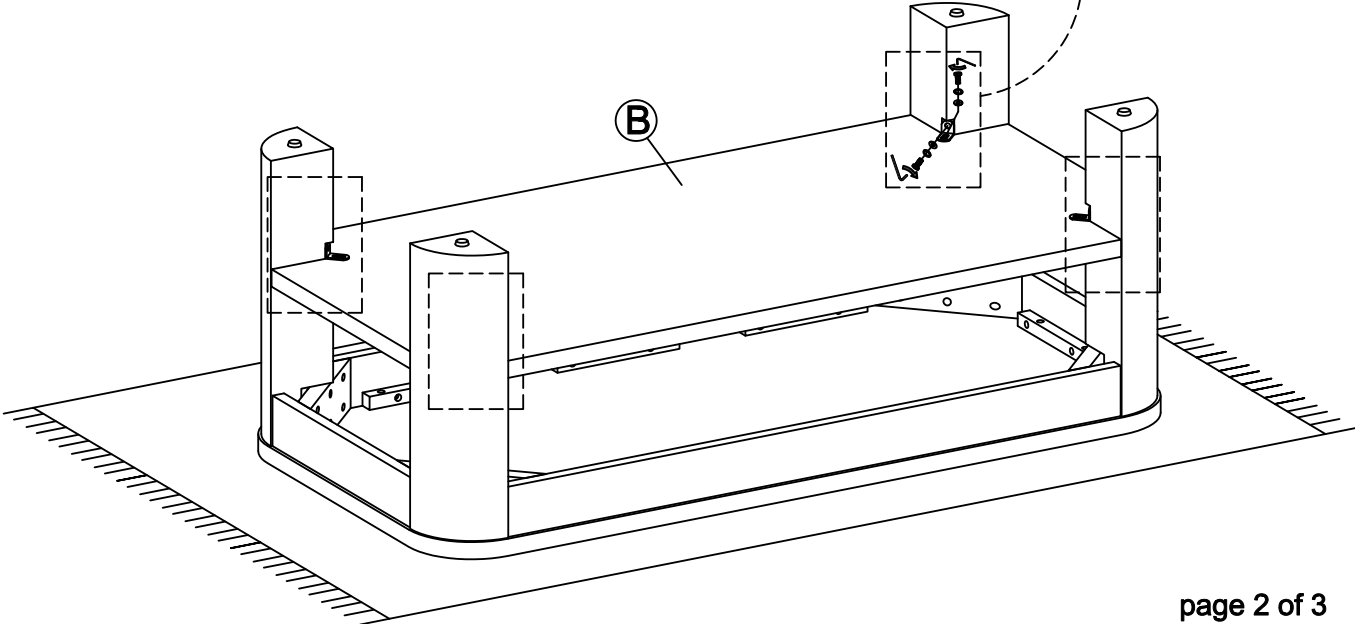
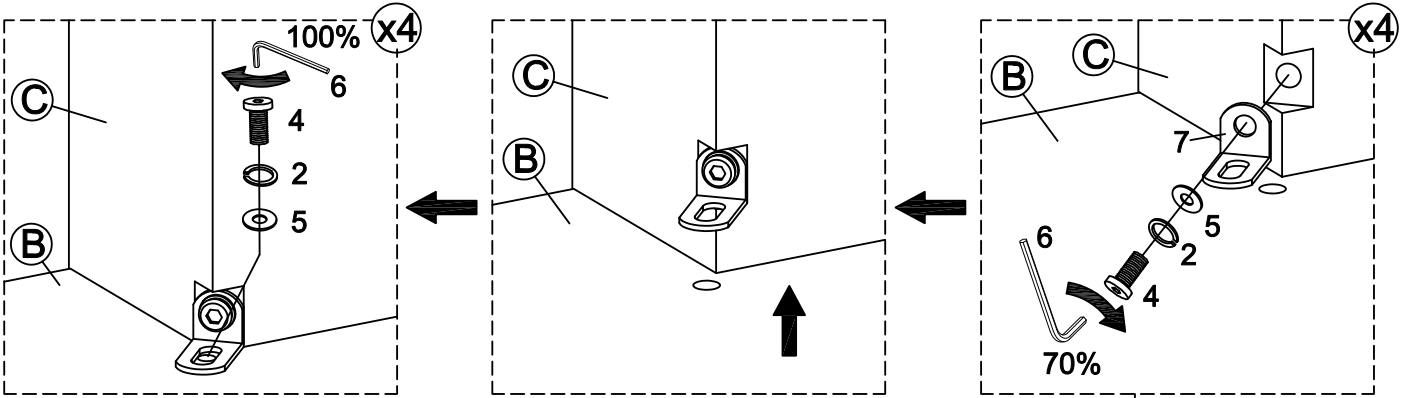


Step 2:



Step 3:

#2 (8)	#4 (8)	#5 (8)	#6 (1)	#7 (4)
--------	--------	--------	--------	--------

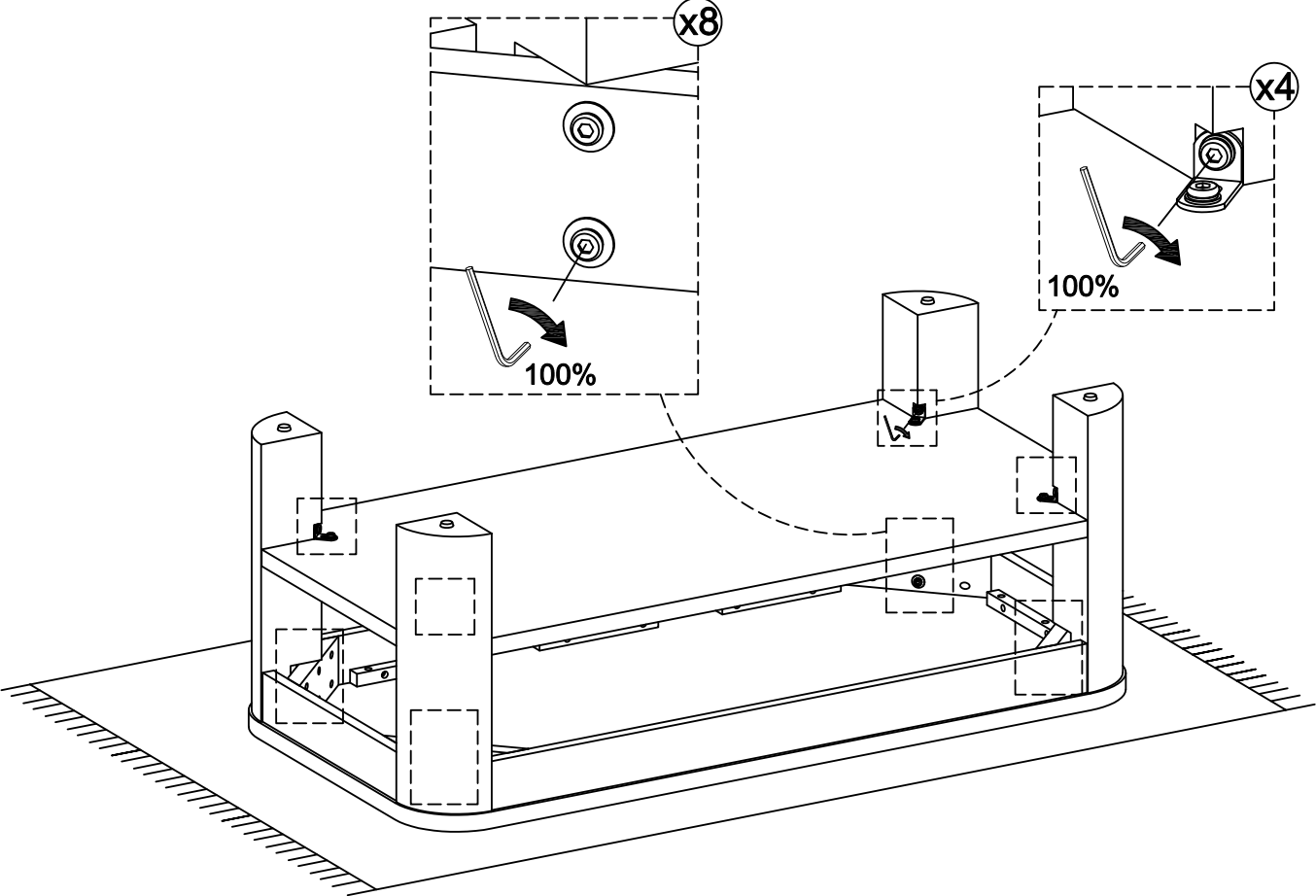


COSMO COFFEE TABLE ASSEMBLY INSTRUCTIONS

MODUS
FURNITURE

Step 4:

#6 (1)



Step 5:

ASSEMBLY COMPLETE

