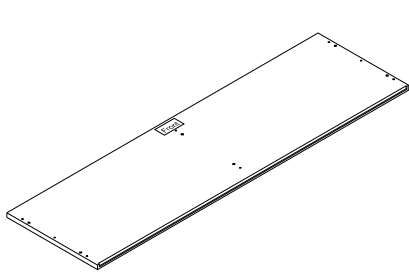
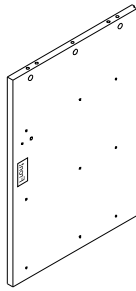


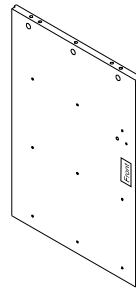
PARTS LIST



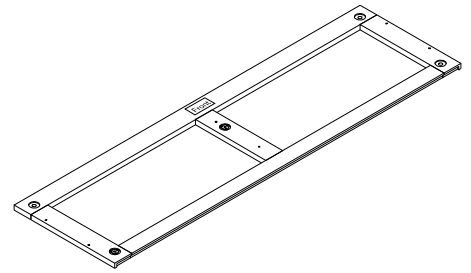
NAME: TOP PANEL
CODE: 1
QTY: 1Pc



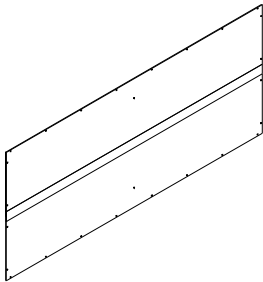
NAME: SIDE PANEL(LEFT)
CODE: 2
QTY: 1Pc



NAME: SIDE PANEL(RIGHT)
CODE: 3
QTY: 1Pc



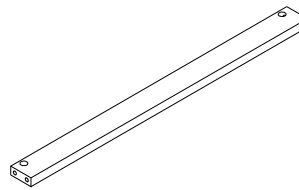
NAME: BOTTOM FRAME
CODE: 4
QTY: 1Pc



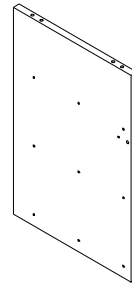
NAME: BACK PLYWOOD
CODE: 5
QTY: 1Pc



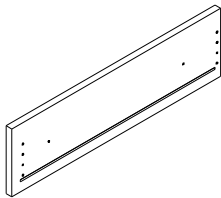
NAME: BOTTOM SUPPORT
CODE: 6
QTY: 5Pcs



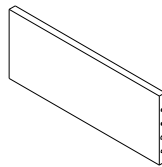
NAME: CENTER BAR
CODE: 7
QTY: 2Pcs



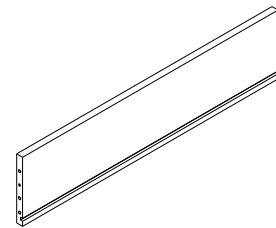
NAME: CENTER PANEL
CODE: 8
QTY: 1Pc



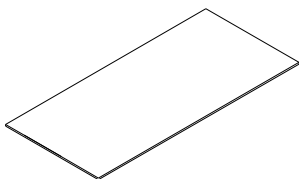
NAME: DRAWER FRONT(LEFT)
CODE: 101
QTY: 3Pcs



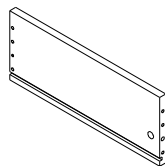
NAME: DRAWER SIDE(LEFT)
CODE: 102
QTY: 6Pcs



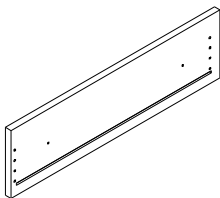
NAME: DRAWER BACK
CODE: 103
QTY: 6Pcs



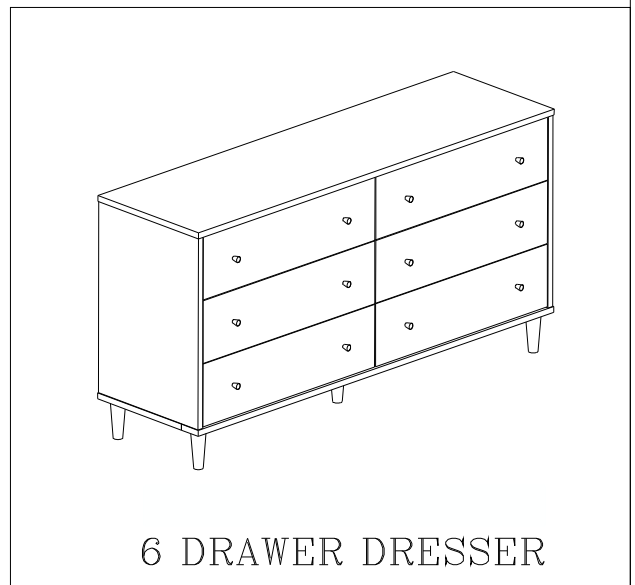
NAME: DRAWER BASE
CODE: 104
QTY: 6Pcs



NAME: DRAWER SIDE(RIGHT)
CODE: 105
QTY: 6Pcs



NAME: DRAWER FRONT(RIGHT)
CODE: 106
QTY: 3Pcs



6 DRAWER DRESSER

-THE UNIT SHOULD BE ASSEMBLED BY 2 OR MORE PEOPLE
-EXTRA HARDWARE INCLUDED

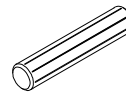
HARDWARE LIST



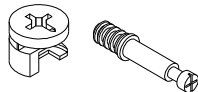
NAME: CHIPBOARD SCREW M3X16mm
 CODE: A
 QTY: 72Pcs



NAME: PANHEAD SCREW M4X22mm
 CODE: B
 QTY: 12Pcs



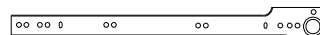
NAME: WOOD DOWEL M8X35mm
 CODE: C
 QTY: 16Pcs



NAME: CAM LOCK & CAM BOLT
 CODE: D
 QTY: 36Sets



NAME: WOOD DOWEL M6X30mm
 CODE: E
 QTY: 72Pcs



NAME: RUNNER 400mm
 CODE: F
 QTY: 6Sets



NAME: CAM LOCK COVER
 CODE: G
 QTY: 36Pcs



NAME: PANHEAD CHIPBOARD SCREW M4X16mm(BLACK)
 CODE: H
 QTY: 26Pcs



NAME: CHIPBOARD SCREW M4X38mm
 CODE: I
 QTY: 6Pcs

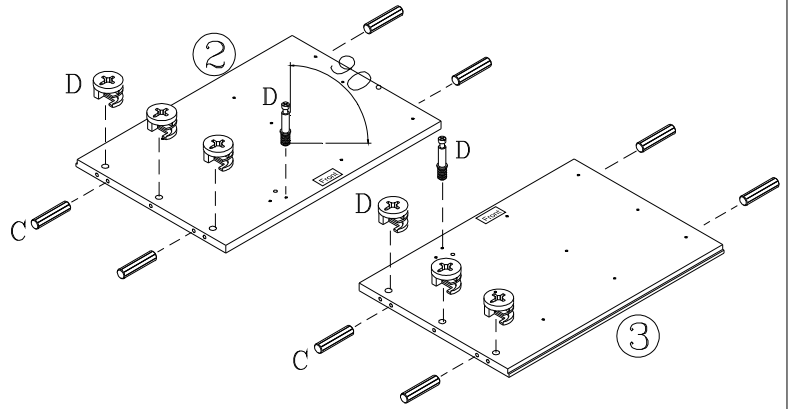


NAME: HANDLE
 CODE: J
 QTY: 12Pcs

STEP 1

- A) Insert Wood Dowel(C) to Left&Right Side Panel(2&3)
- B) Attach Cam Lock(D) to Left&Right Side Panel(2&3)
- C) Insert & secure Cam Bolt(D) to Left&Right Side Panel(2&3)

NOTE : Make sure arrows on each Cam Lock points towards nearest edge with holes



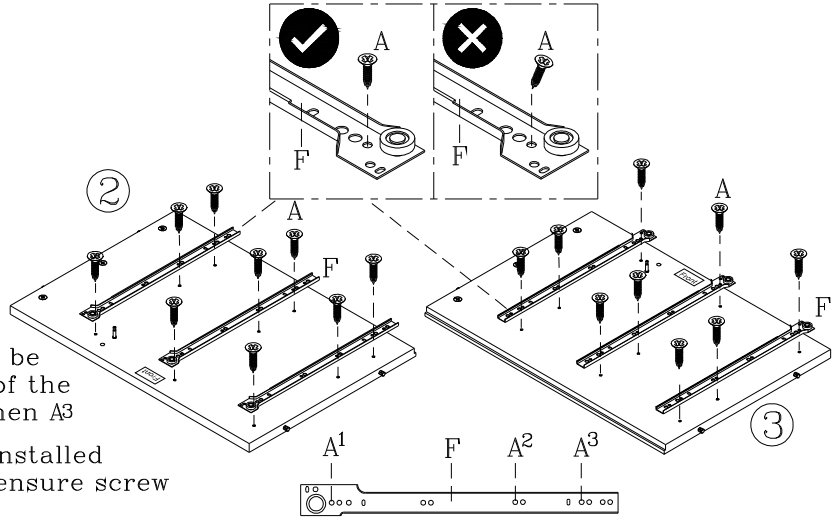
STEP 2

- A) Attach Runner(F) to Left&Right Side Panel(2&3) using Chipboard Screw(A) to secure

NOTE : Runner roller should be toward the front of the panel

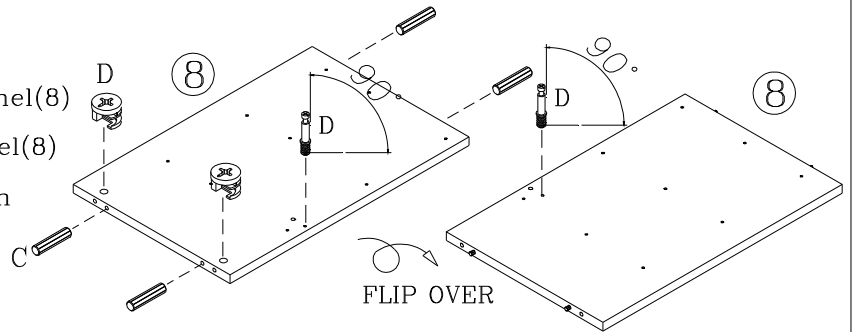
NOTE : Chipboard Screw(A) should be assembled from the front of the runner. Start from A¹, A² then A³

NOTE : Make sure the screws are installed vertically without slant to ensure screw sits properly in the hole



STEP 3

- A) Insert Wood Dowel(C) to Center Panel(8)
- B) Attach Cam Lock(D) to Center Panel(8)
- C) Insert & secure Cam Bolt(D) to Both side of Center Panel(8)



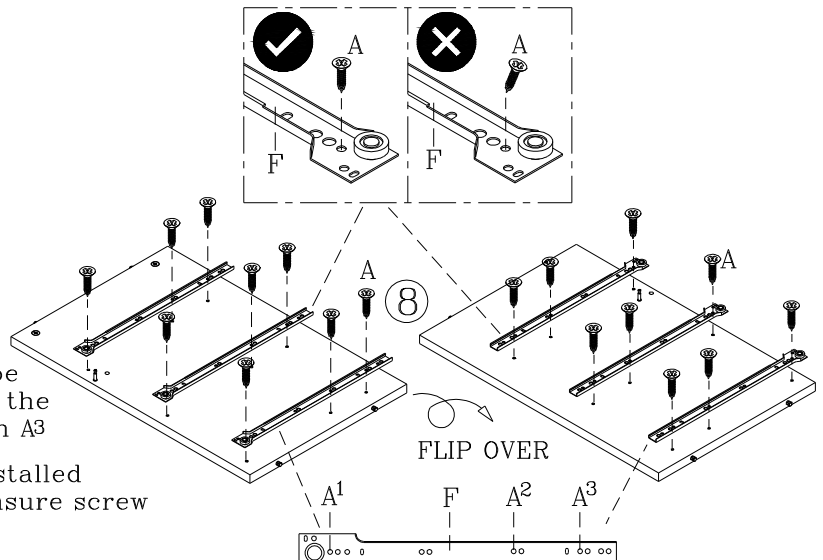
STEP 4

- A) Attach Runner(F) to both side of Center Panel(8) using Chipboard Screw(A) to secure

NOTE : Runner roller should be toward the front of the panel

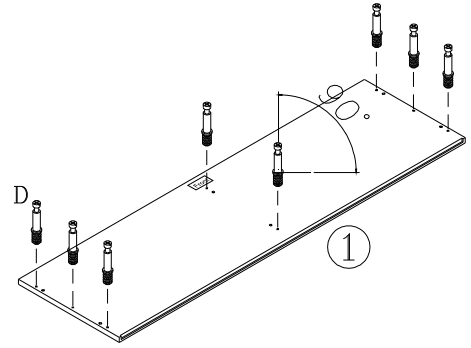
NOTE : Chipboard Screw(A) should be assembled from the front of the runner Start from A¹, A² then A³

NOTE : Make sure the screws are installed vertically without slant to ensure screw sits properly in the hole

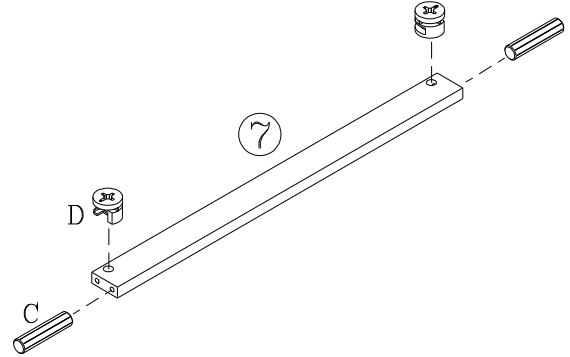


STEP 5

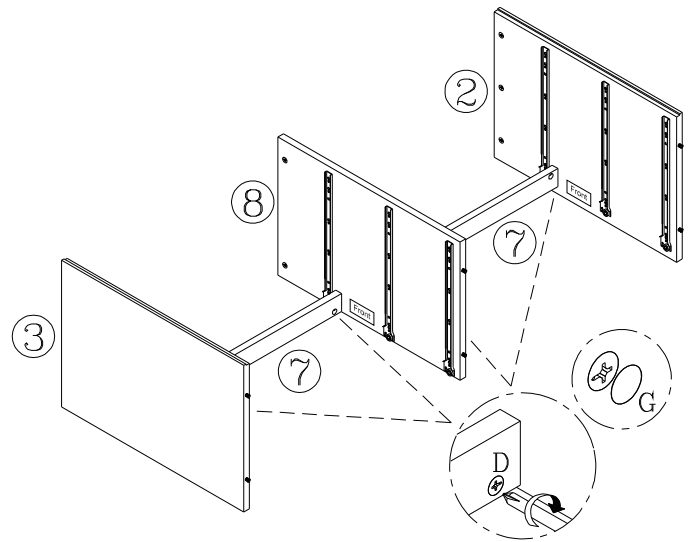
- A) Insert & secure Cam Bolt(D) to Top Panel(1)

STEP 6

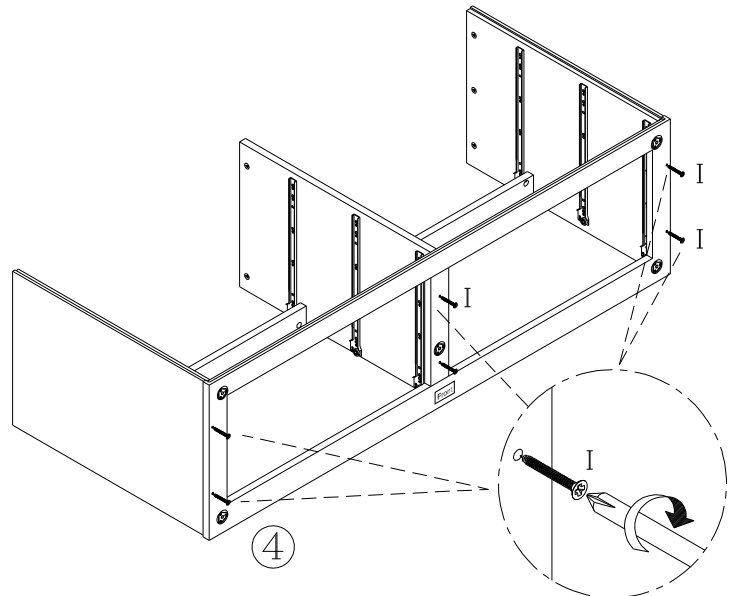
- A) Insert Wood Dowel(C) to Center Bar(7)
 B) Attach Cam Lock(D) to Center Bar(7)

STEP 7

- A) Attach Center Bar(7) to Center Panel(8) secure with Cam Lock
 B) Attach Left&Right Side Panel(2&3) to Center Panel(8) secure with Cam Lock
 C) Using Cam Lock Cover(G) to cover Cam Lock(D)

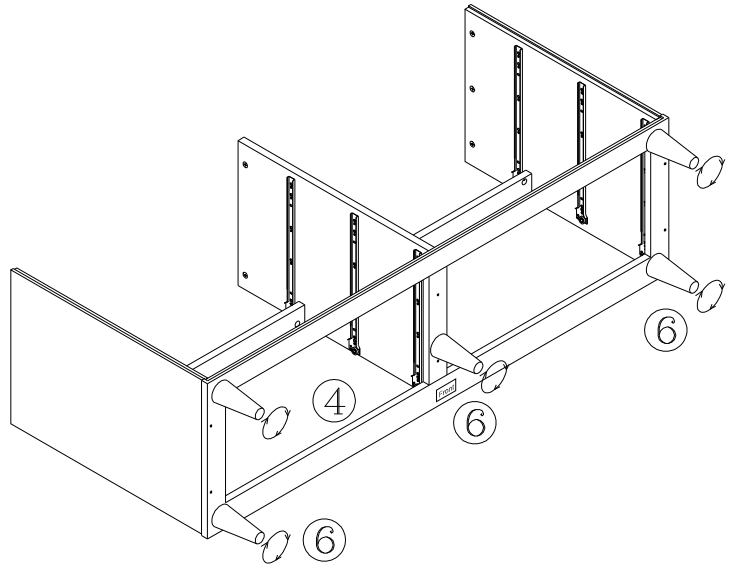
STEP 8

- A) Attach Bottom Frame(4) to assembled unit using Chipboard Screw(I) to secure

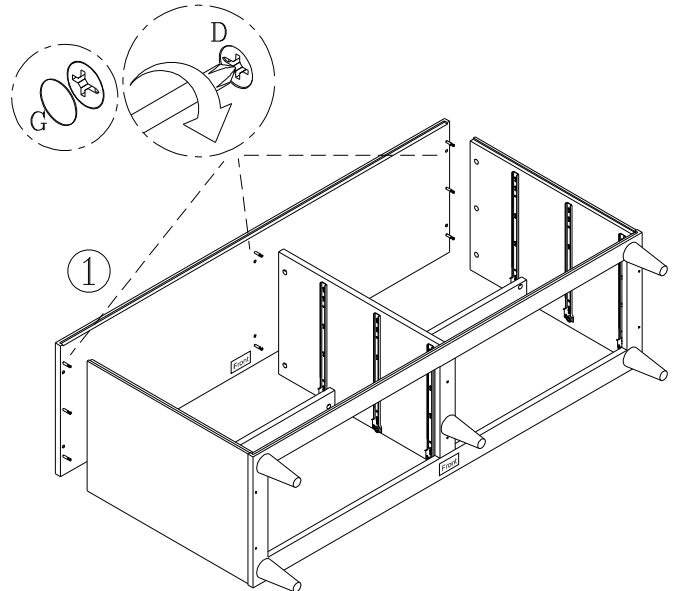


STEP 9

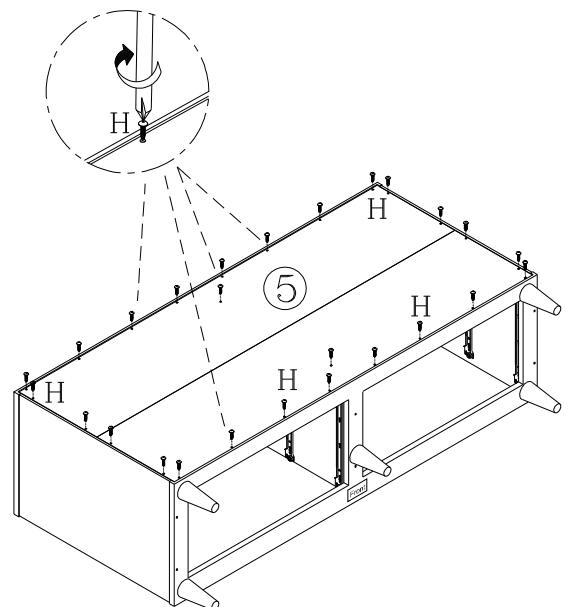
- A) Attach Bottom Support(6) to Bottom Frame(4) turn each clockwise until it securely engages

STEP 10

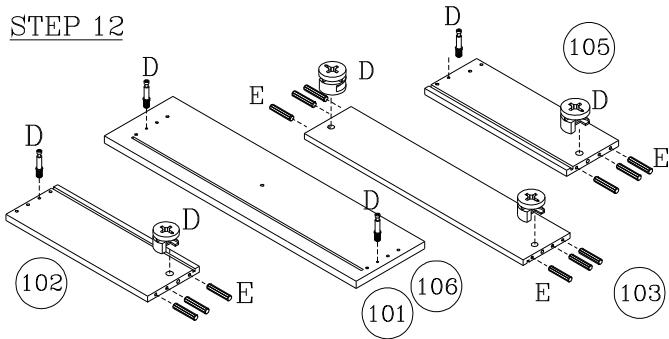
- A) Attach Top Panel(1) to assembled unit secure with Cam Lock(D)
 B) Using Cam Lock Cover(G) to cover Cam Lock(D)

STEP 11

- A) Attach Back Plywood(5) to assembled unit secure using Panhead Chipboard Screw(Black)(H)

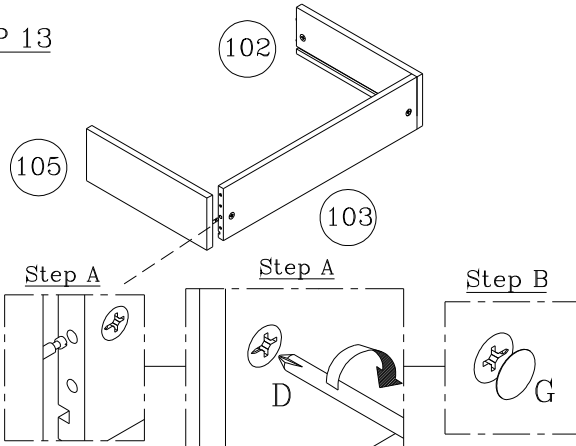


STEP 12



- A) Insert Wood Dowel(E) to Left&Right Drawer Side(102&105) & Drawer Back(103)
- B) Attach Cam Lock(D) to Left&Right Drawer Side(102&105) & Drawer Back(103)
- C) Attach Cam Bolt(D) to Drawer Front(101&106) & Left&Right Drawer Side(102&105)

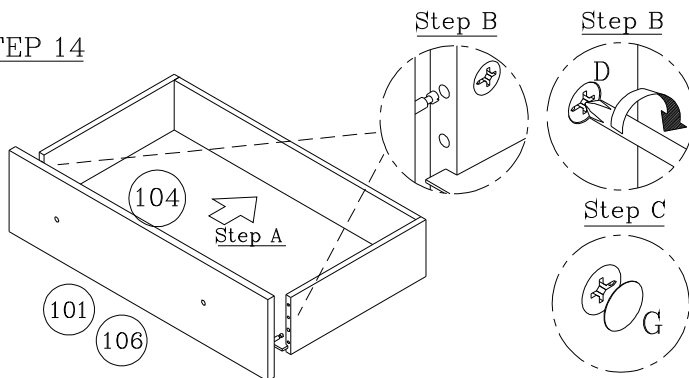
STEP 13



- A) Attach Left&Right Drawer Side(102&105) to Drawer Back(103) secure with Cam Lock(D)
- B) Using Cam Lock Cover(G) to cover Cam Lock(D)

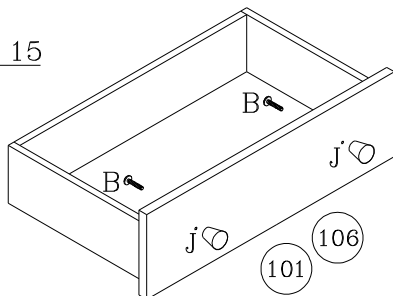
NOTE : Make sure arrows on each Cam Lock points towards nearest edge with holes

STEP 14



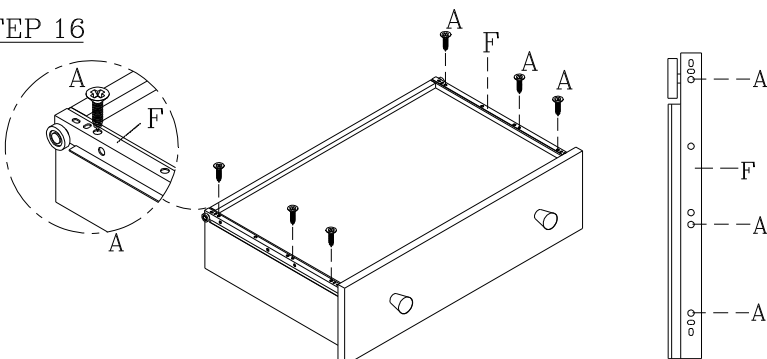
- A) Slot in Drawer Base(104) in corresponding grooves
- B) Attach Drawer Front(101&106) to Drawer Box secure with Cam Lock(D)
- C) Using Cam Lock Cover(G) to Cover Cam Lock(D)

STEP 15



- A) Attach Handle(J) to Drawer Front(101&106) secure using Panhead Screw(B)

STEP 16



- A) Turn over the Drawer box, Attach Runner(F) to Drawer Side(102&105) using Chipboard Screw(A) to secure

NOTE: Runner roller should be flush and toward the back of the Drawer Box