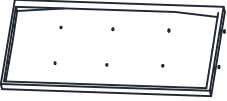
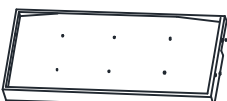
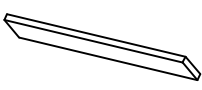
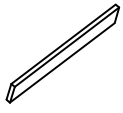

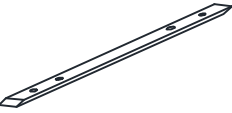




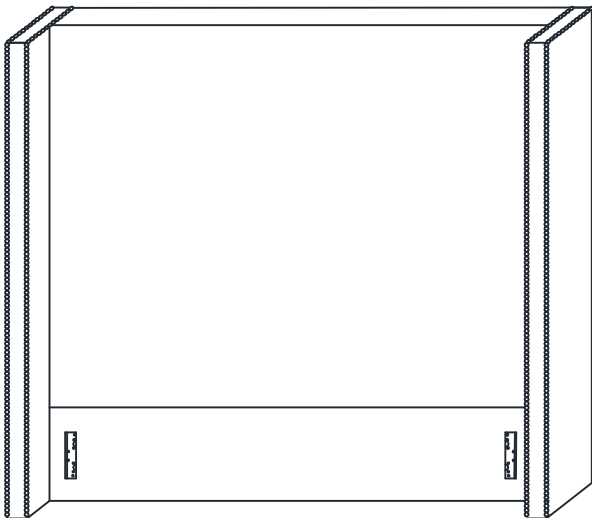


ASSEMBLY INSTRUCTION

315BKL-2 + E386BKL-1 EASTERN KING HEADBOARD E784BKL-2 + E386BKL-1 EASTERN KING HEADBOARD

A Upper Part of Headboard	B Lower Part of Headboard	C Left Side Panel	D Right Side Panel	E Single-Sided Cover (In other carton)
				
1pc	1pc	1pc	1pc	1pc
F Slate	G Bolt 1/4" x 50mm	H Flat Washer 1/4"	I Lock Washer 1/4"	J Allen Wrench 1/4"
				
3pcs	20pcs	20pcs	20pcs	1pc

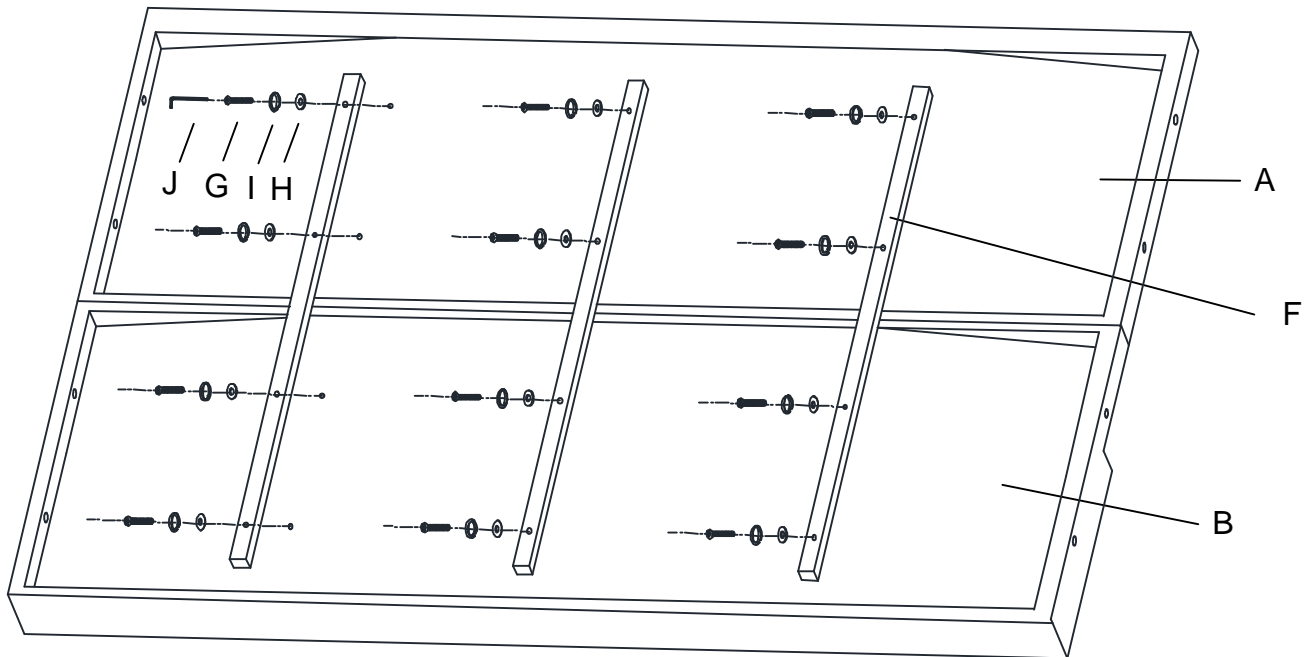


This page lists all the contents included in the box. Please take the time to identify the hardware as well as the individual components to this product. As you unpack and prepare for assembly, place the contents on a carpeted or padded area to protect them from damage.

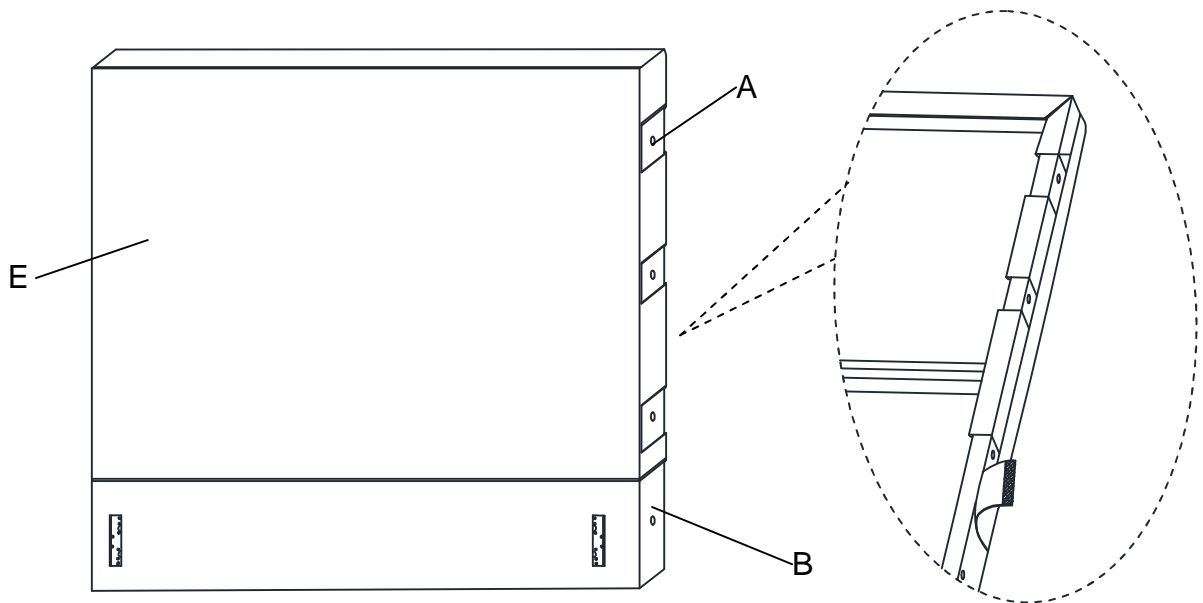
Notice: This product need more than 2 people to assemble it.

1

Attach Upper Part of Headboard (A) to Lower Part of Headboard (B) with Bolt (G), Lock Washer (I) and Flat Washer (H) on holes of Slates (F). Turn the Allen Wrench (J) in Bolt (G).

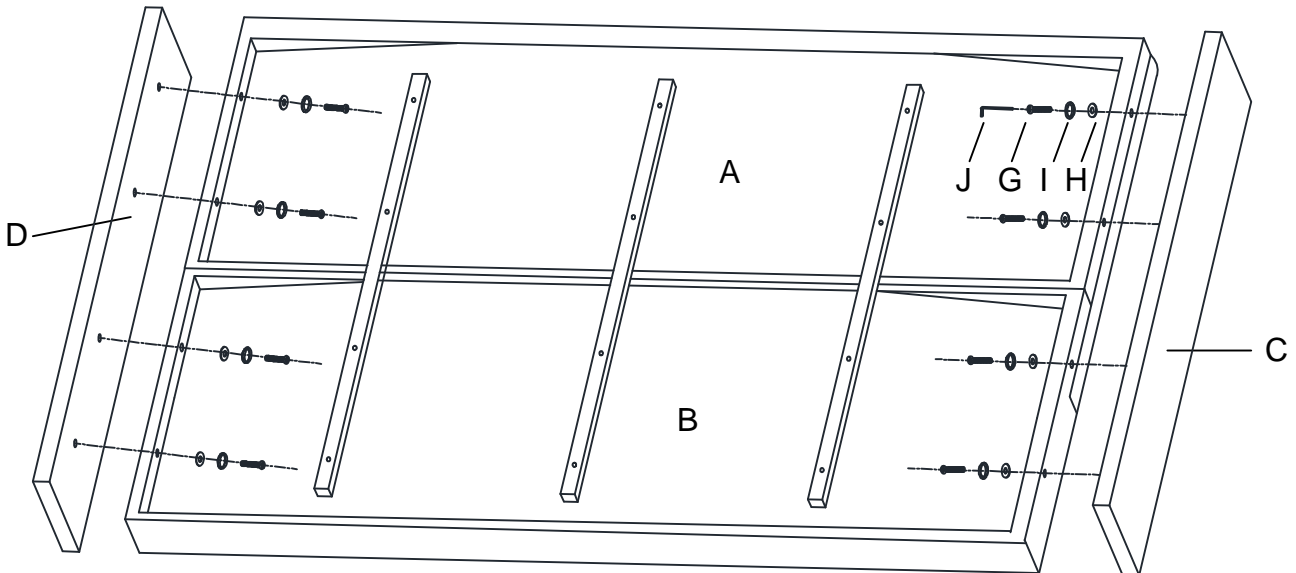
**2**

Put Single-Sided Cover (E) on the front of Headboard (A) & (B). Then stick the velcro at the back of Headboard (A) & (B).



3

Attach Left Side Panel (C) & Right Side Panel (D) to the Headboard (A) & (B) with Bolt (G), Lock Washer (I) and Flat Washer (H). Turn the Allen Wrench (J) in Bolt (G).

**Helpful Tip:**

- After assembly, if fabric is not smooth or wrinkled, please iron it.

Cleaning & Care

Treat surface with care. Surface is resistant to scratches but is not scratch resistant. Clean surfaces with a dry or damp soft cloth. Do not use abrasive cleaners. Hardware may loosen over time. Periodically check that all connections are tight.

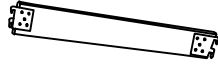
ASSEMBLY INSTRUCTION

315B E377 E388 886B 885B E376 E900 E784 E608 E609 E729 E799 8155 E700
KING BED - FOOTBOARD & SIDE RAILS

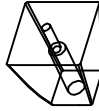
A Footboard **B** Side Rails **C** Wooden Leg **D** Support Leg **E** Wooden Slats



1pc



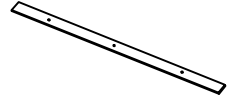
2pcs



2pcs



15pcs



5pcs

F Screw **G** Bolt 1/4" x 75mm **H** Bolt 1/4" x 50mm **I** Flat Washer **J** Lock Washer



20pcs



2pcs



15pcs



17pcs

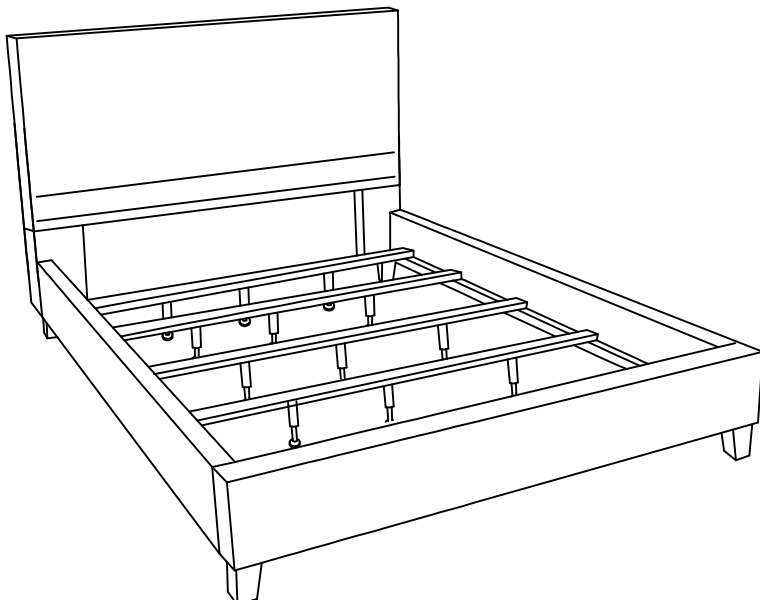


17pcs

K Allen Wrench

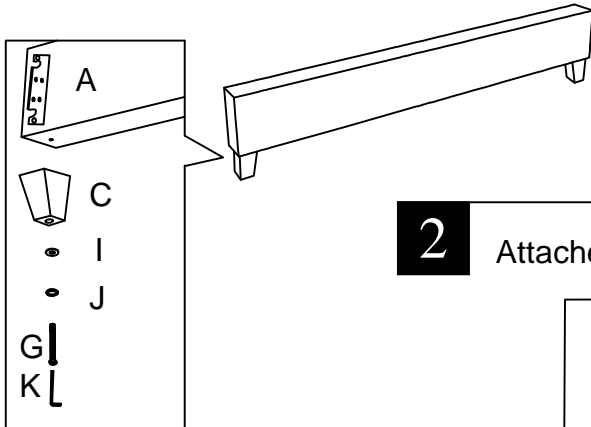


1pc

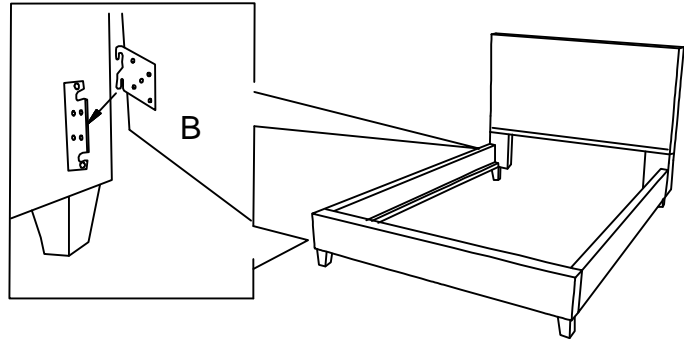


This page lists all the contents included in the box. Please take the time to identify the hardware as well as the individual components to this product. As you unpack and prepare for assembly, place the contents on a carpeted or padded area to protect them from damage.

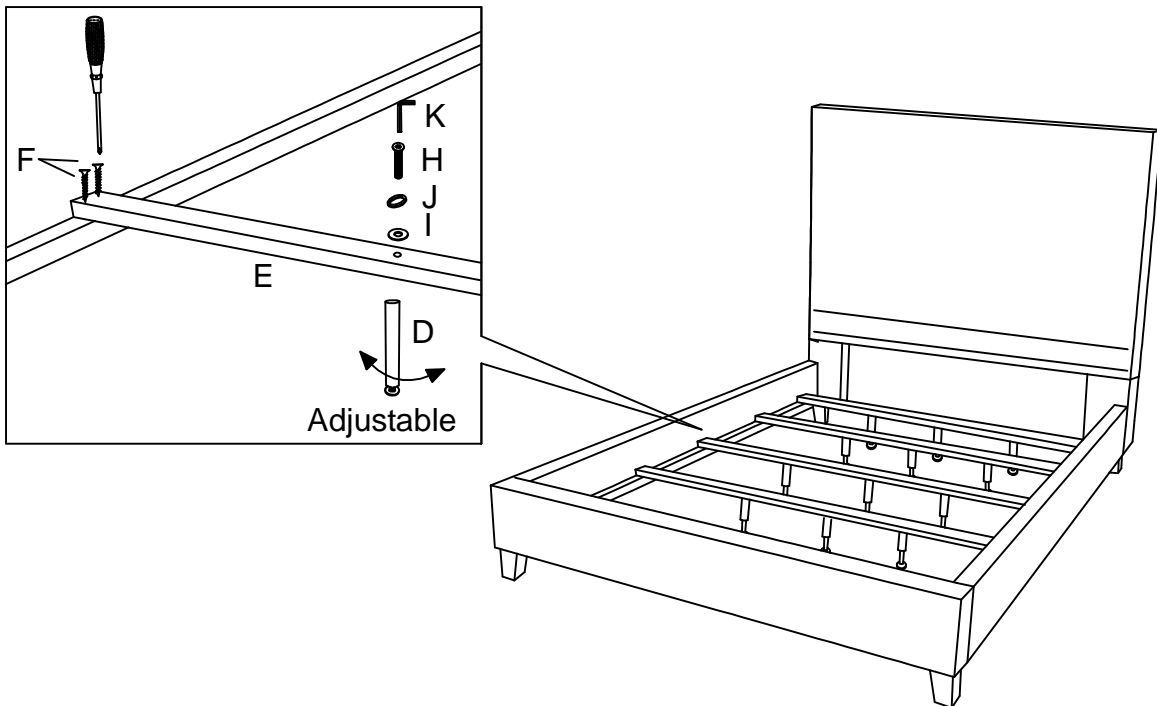
- 1** Attached Wooden Leg(C) to the Footboard(A) use Bolt(G), Lock Washer(J) and Flat Washer(I) on both of holes. Turn the Allen Wrench(K) in Bolt(G).



- 2** Attached Side Rails(B) to the Headboard and Footboard(A).



- 3** Assembly Support Leg(D) to Wooden Slats(E) use Bolt(H), Lock Washer(J) and Flat Washer(I) by Allen Wrench(K). Assembly Wooden Slats(E) to Side Rail(B) use Screw (F) as showing.



Cleaning & Care

Treat surface with care. Surface is resistant to scratches but is not scratch resistant. Clean surfaces with a dry or damp soft cloth. Do not use abrasive cleaners. Hardware may loosen over time. Periodically check that all connections are tight.