



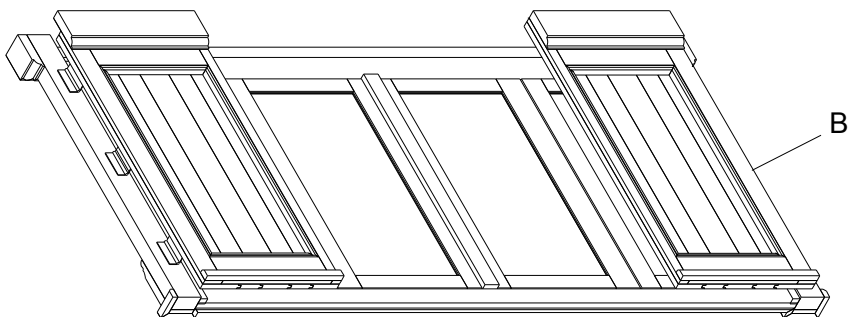
# Assembly Instruction

ITEM: #5799-40 DINING ROOM SERVER

HARDWARE LIST			
NO.	DESCRIPTION	DRAWING	QTY
1	SHELF SUPPORT		8PCS
2	BOLT 1/4" x 38mm		31PCS
3	FLAT WASHER 1/4"x14mm		4PCS
4	FLAT WASHER 1/4"x19mm		27PCS
5	LOCK WASHER 1/4"		31PCS
6	ALLEN KEY M4		1PC
7	TIPPING RESTRAINT		1PC
8	LEVEL PAD		2PCS

NO.	PARTS LIST		Q'TY
A		TOP FRAME	1PC
B		FRONT FRAME	1PC
C		BACK FRAME	1PC
D		MIDDLE PANEL	1PC
E		SHELF	2PCS
F		BOTTOM	1PC
G		MIDDLE LEG	1PC

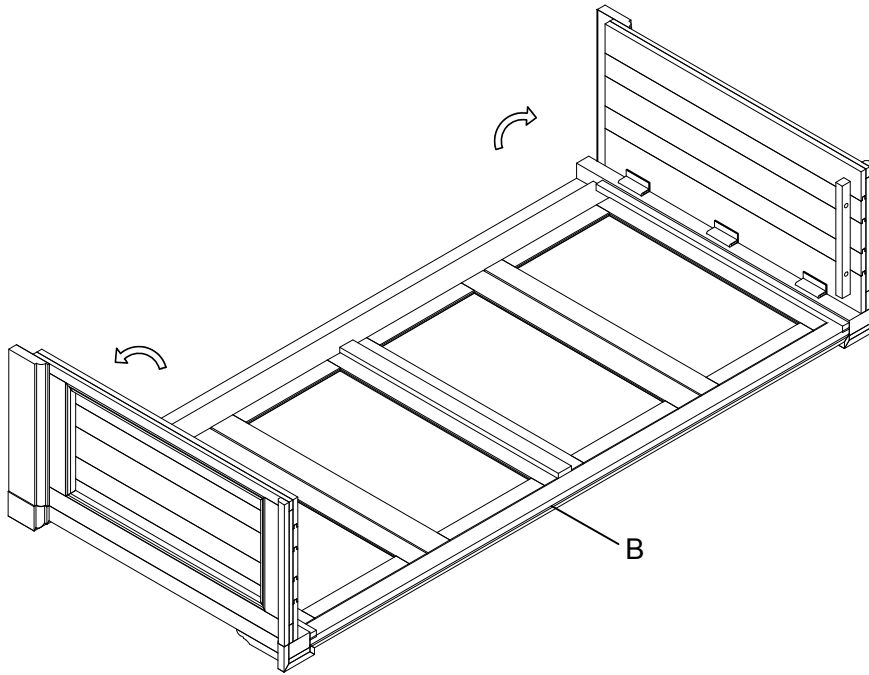
## STEP 1



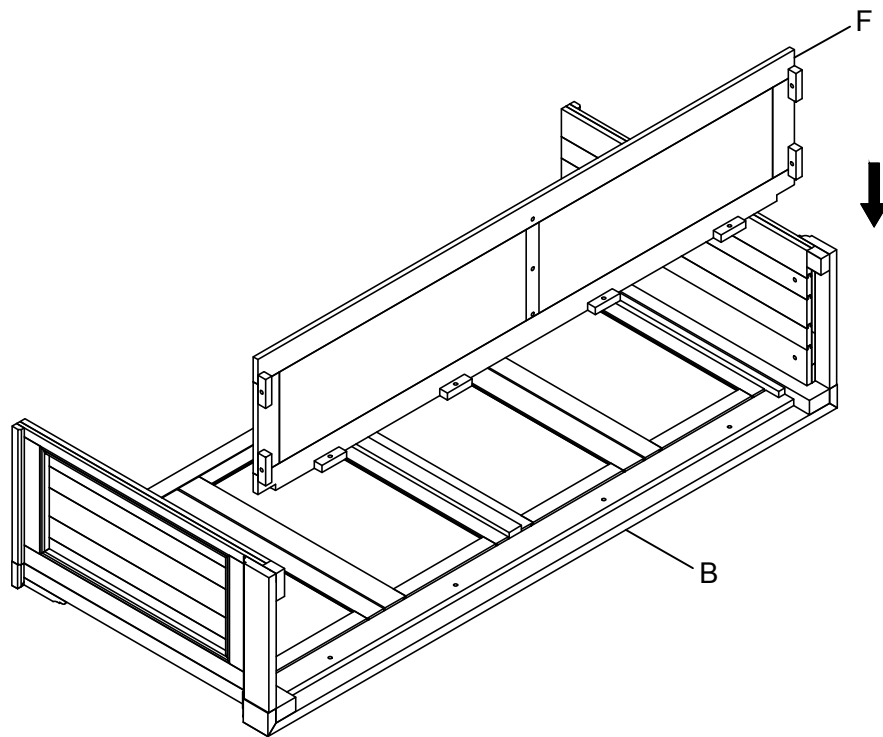
For items use on wooden floor, hard surfaces or carpets, it is recommended to install protective pads under all legs and supports to avoid/prevent from damages/scratches and discoloration.

**MADE IN VIETNAM**

STEP 2

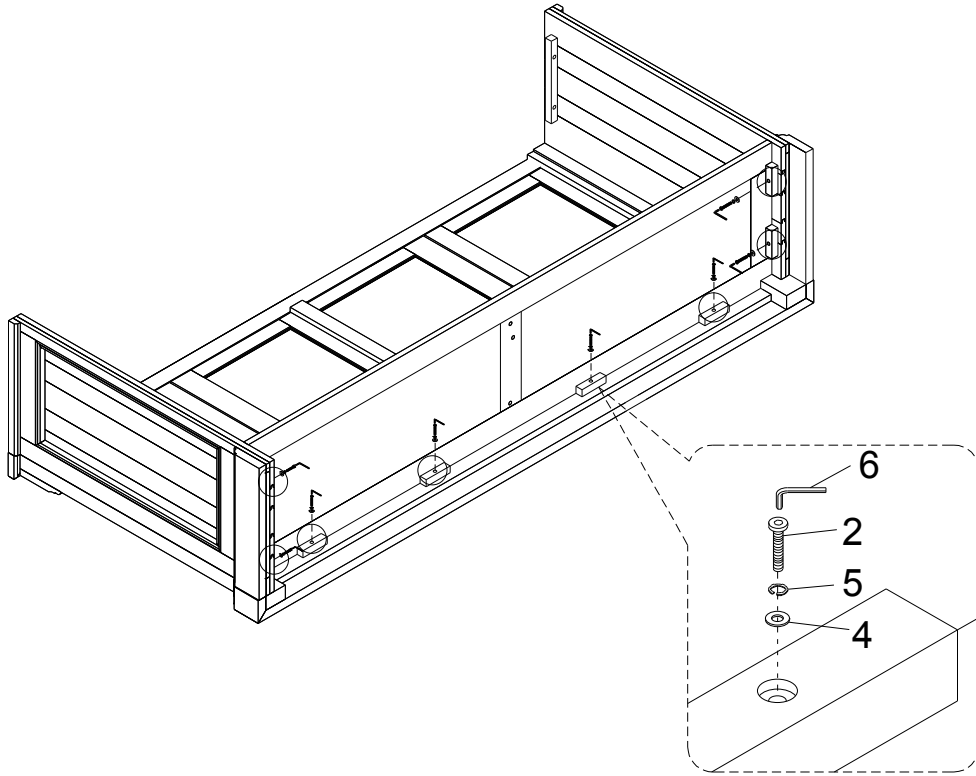


STEP 3

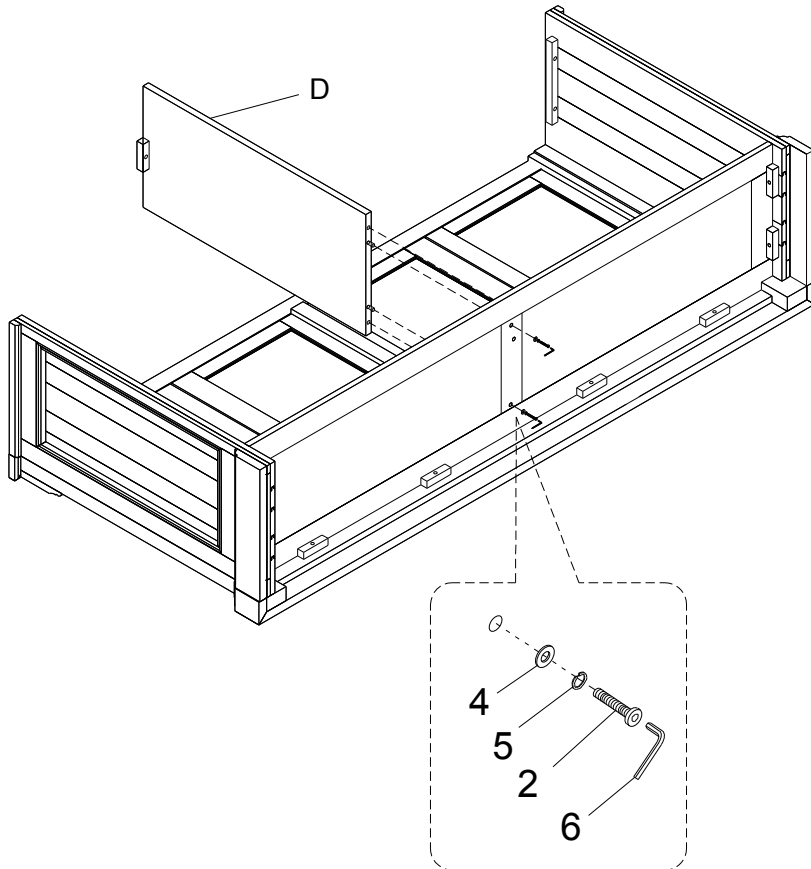


**MADE IN VIETNAM**

STEP 4

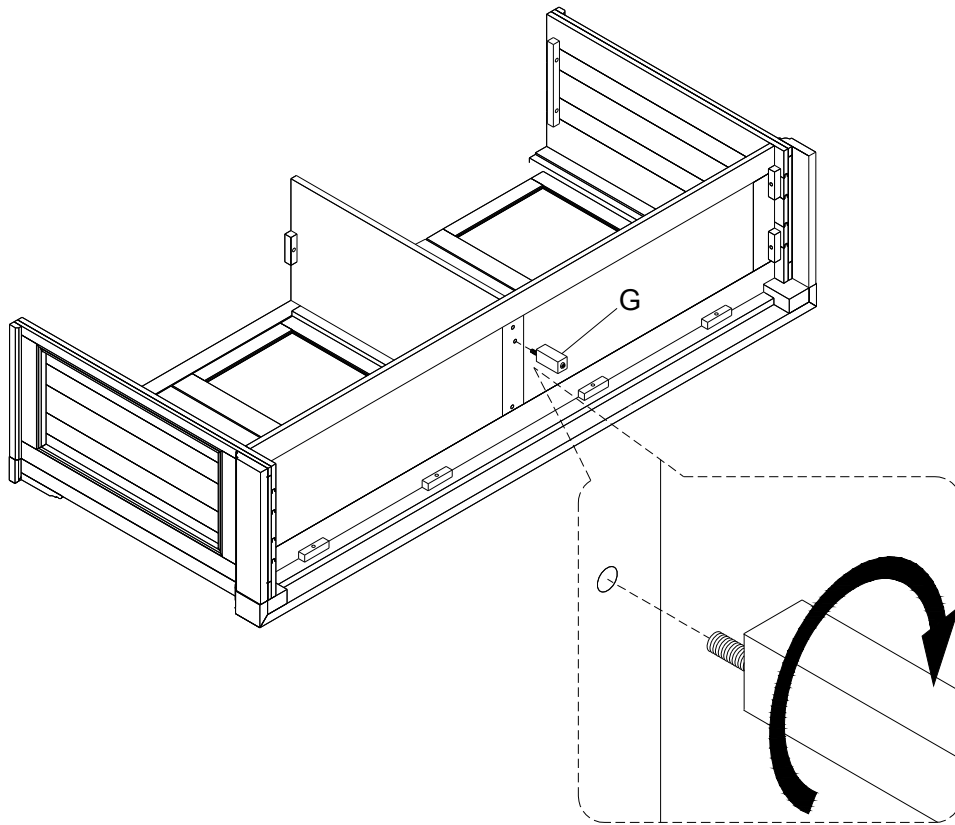


STEP 5

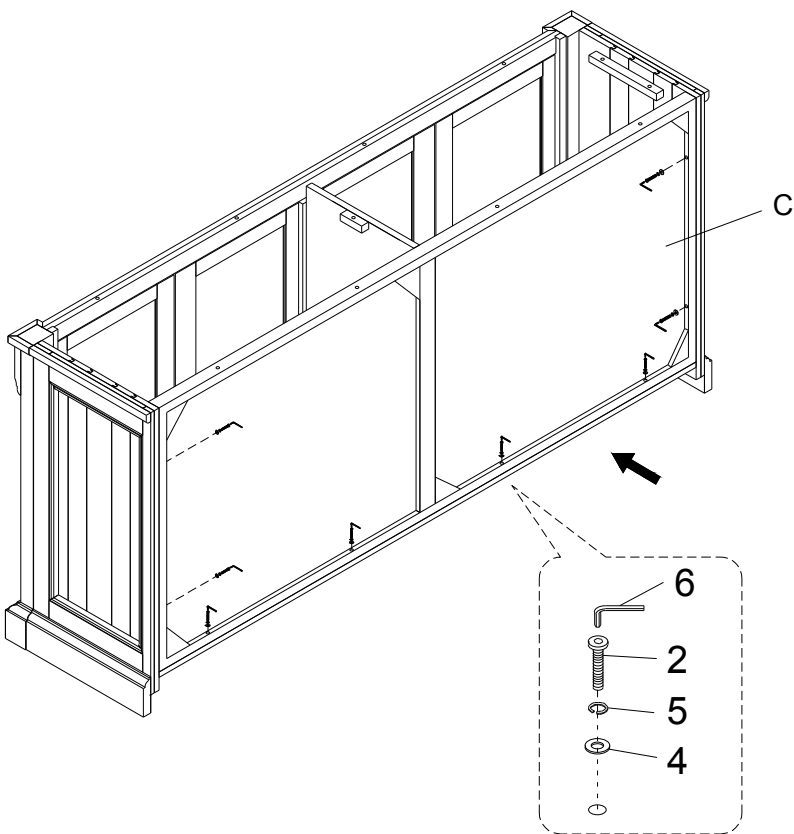


**MADE IN VIETNAM**

STEP 6

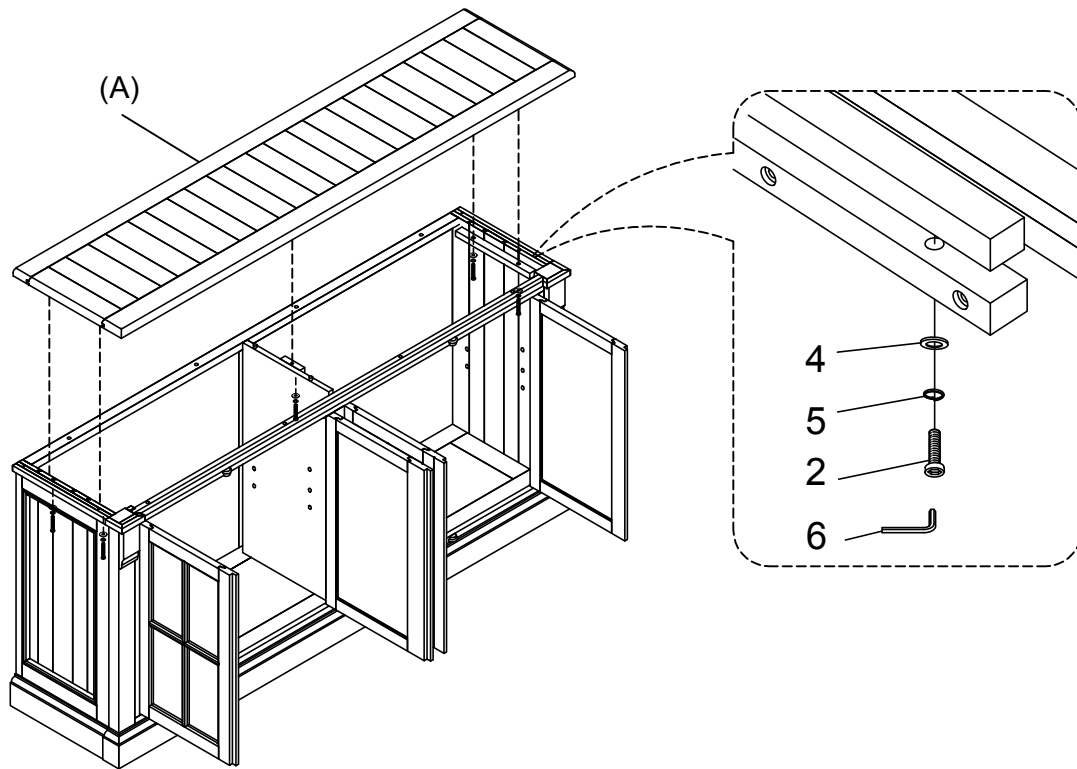


STEP 7

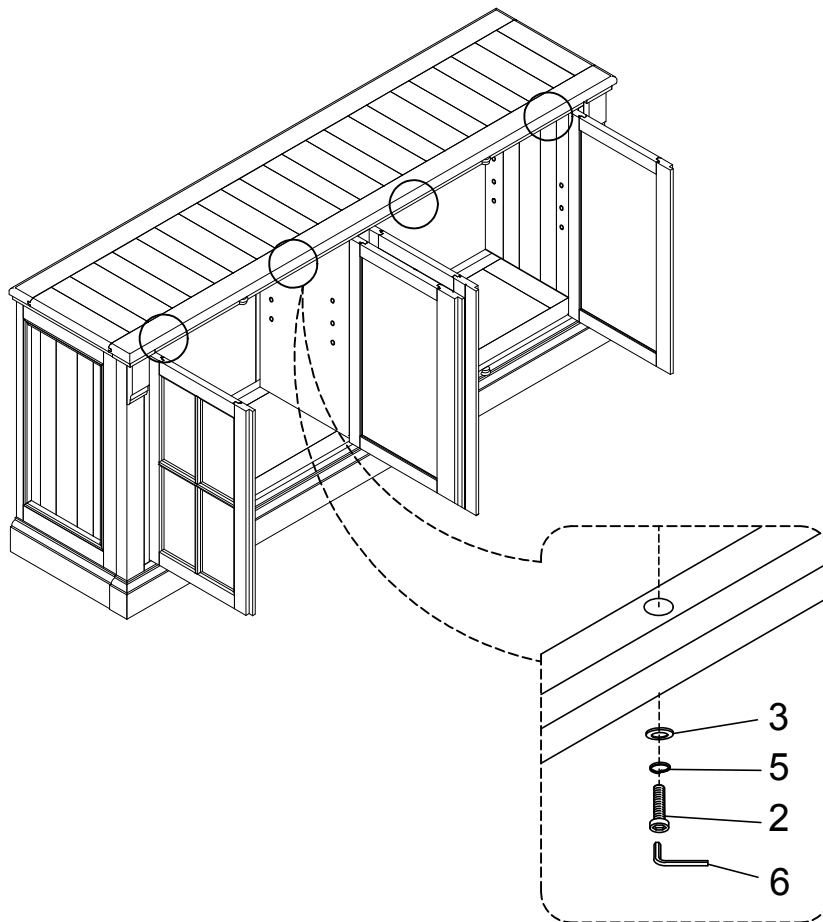


**MADE IN VIETNAM**

STEP 8

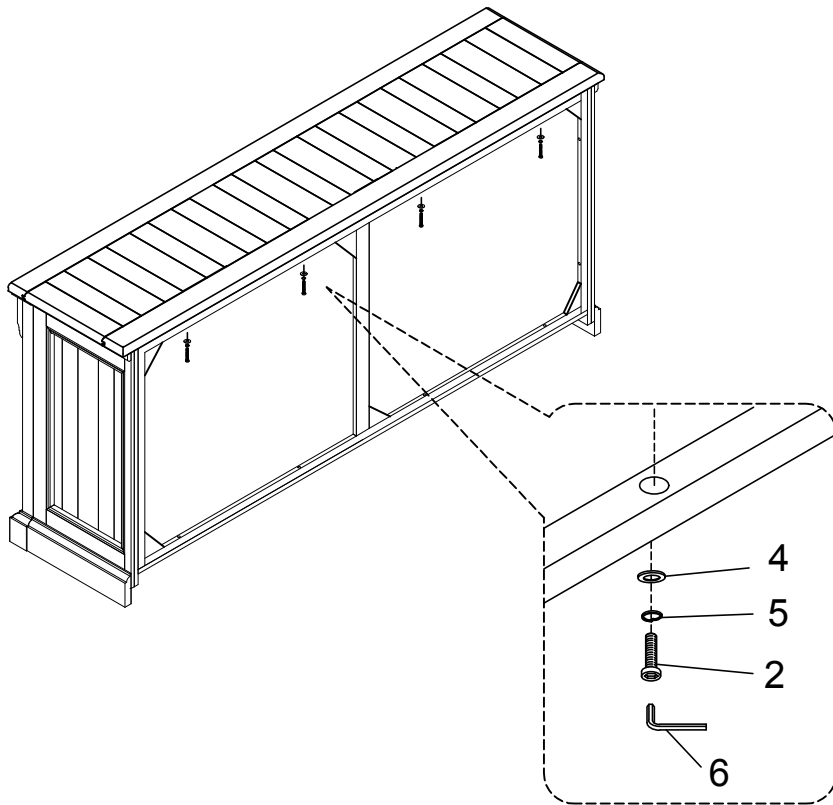


STEP 9

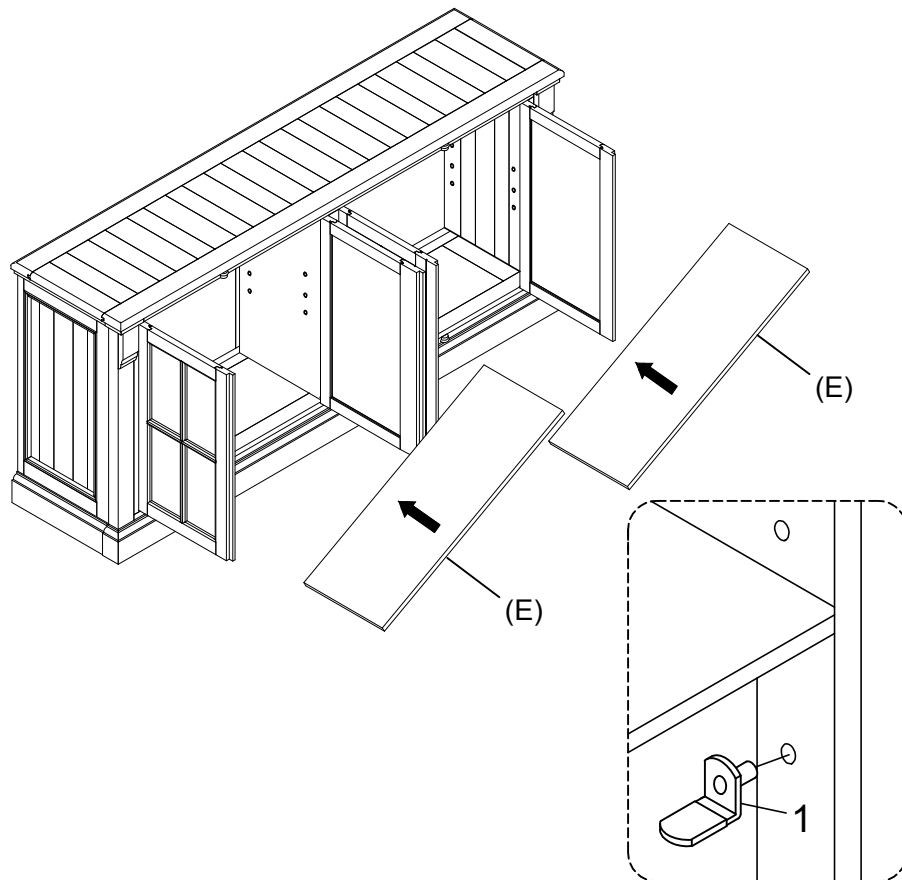


**MADE IN VIETNAM**

STEP 10

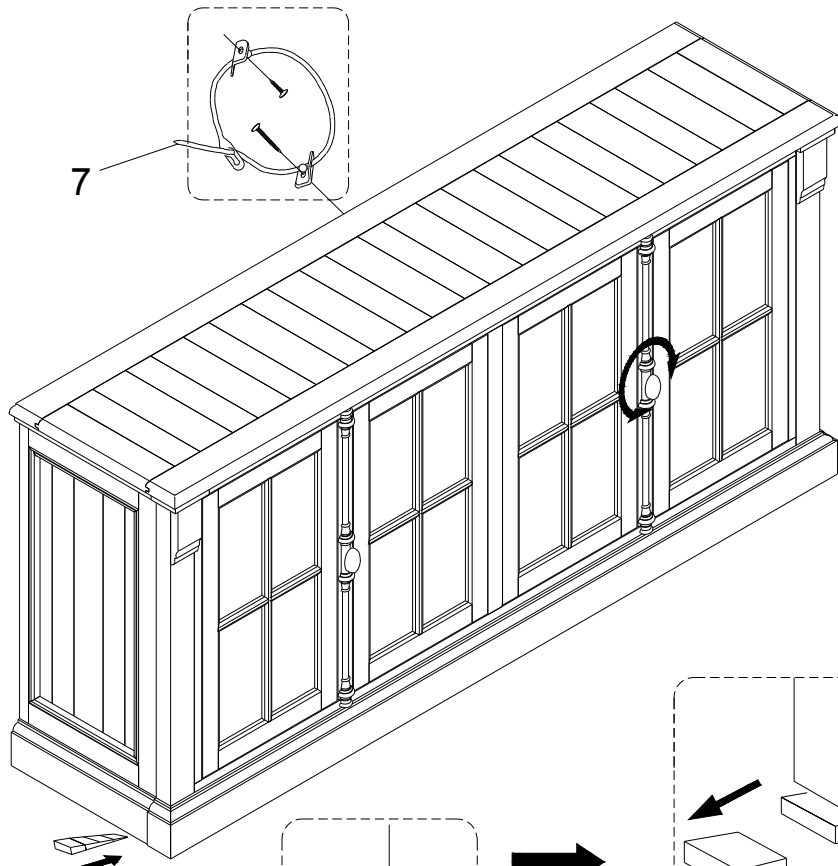


STEP 11

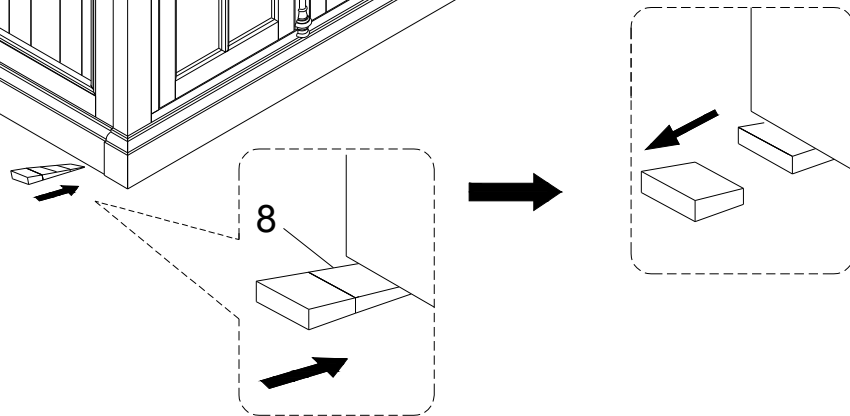


**MADE IN VIETNAM**

STEP 12



STEP 13



**MADE IN VIETNAM**