




# ASSEMBLY INSTRUCTION

## 1393-48 48"D ROUND 2-TONED SOLID TABLE

### Component List

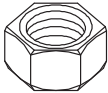

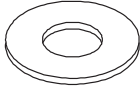

---

<b>A</b> Table Top	<b>B</b> Octagon Coloum	<b>C</b> Branch Leg
		
1pc	1pc	4pcs

---

### Hardware List

---

<b>1</b> Hex Nut $\phi 5/16"$	<b>2</b> Lock Washer $\phi 5/16"$	<b>3</b> Flat Washer $\phi 5/16"$	<b>4</b> Wrench #12.8
			
12pcs	12pcs	12pcs	1pc

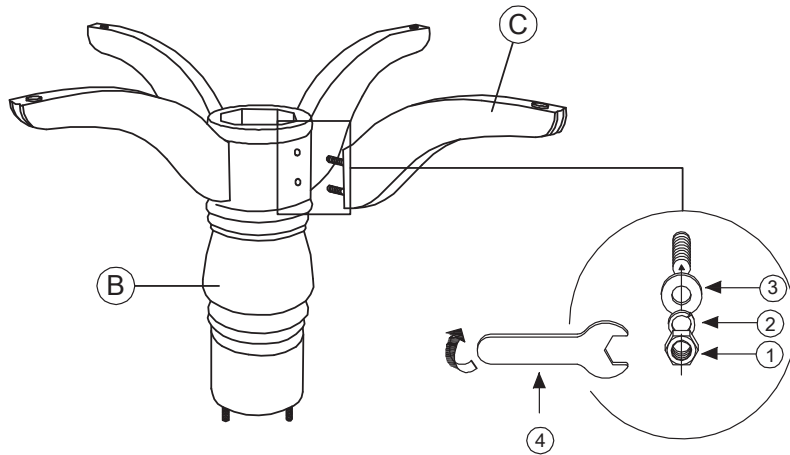
---



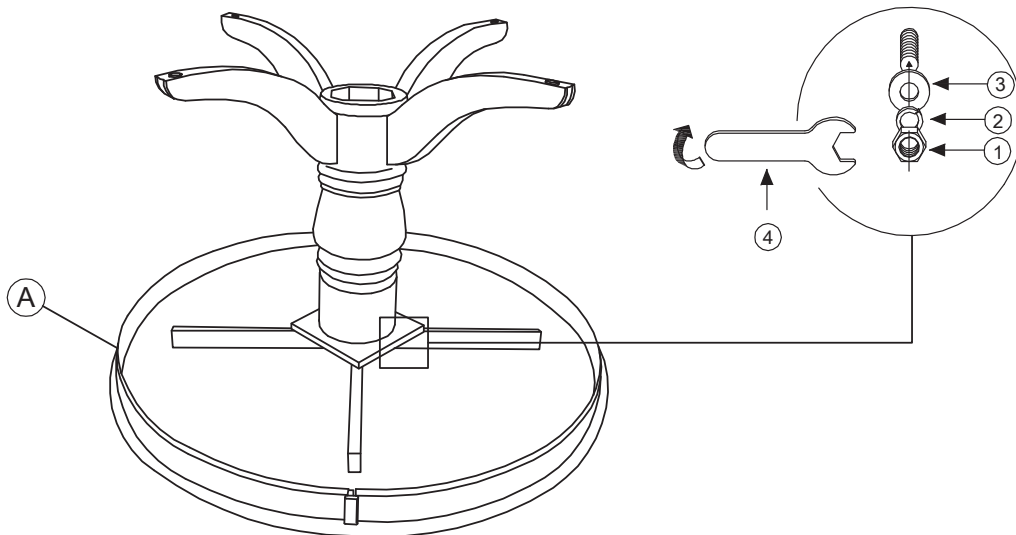
This page lists all the contents included in the box. Please take the time to identify the hardware as well as the individual components to this product. As you unpack and prepare for assembly, place the contents on a carpeted or padded area to protect them from damage.

**1**

Insert Hanger Bolt of Branch Leg (C) into the predrilled holes of Oxtogen Coloum (B), then tighten with Flat Washer (3). Spring Washer (2) and Hex Nut (1) with Wrench (4).

**2**

Place Table Top (A) face down on a clean and flat soft surface to prevent from being scratched. Insert Hanger Bolt of Oxtogen Coloum (B) into the predrilled holes of Mounting Plate at table top (A), then tighten with Flat Washer (3), Spring Washer (2) and Hex Nut (1) with Wrench (4).

**3**

Turn the assembled table to the upright position carefully. Make sure the table is level, and then securely tighten all nuts at this stage. Assembly is now completed.



### Cleaning & Care

Treat surface with care. Surface is resistant to scratches but is not scratch resistant. Clean surface with a dry or damp soft cloth. Do not use abrasive cleaners. Hardware may loosen over time. Periodically check that all connections are tight.