

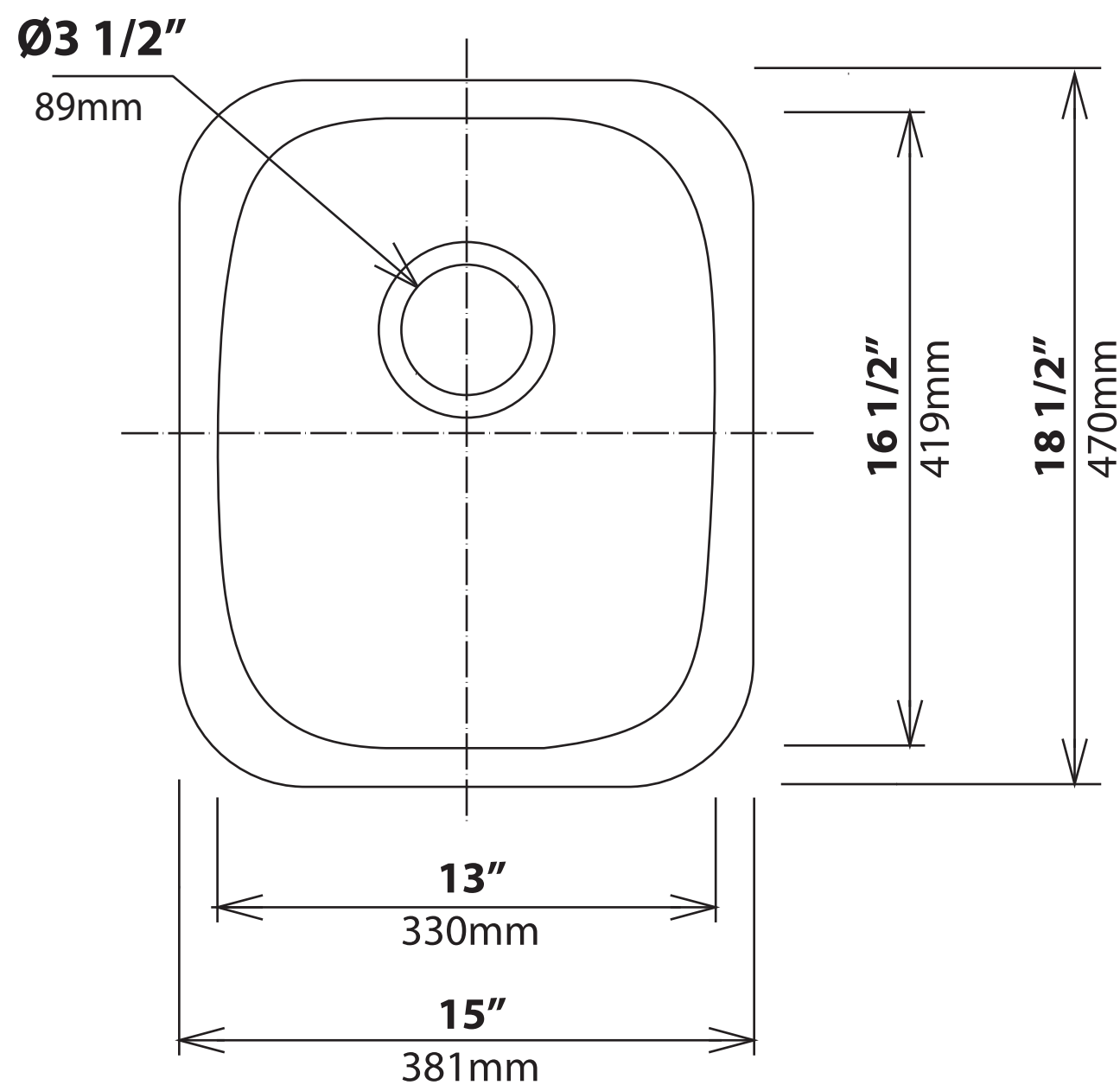
Kräus®

www.kraususa.com

Model No. KBU16

Undermount Template

Pro Hotline: 516.801.8955
Customer Service: 800.775.0703



NOTE: Cutout template is provided as a guide **ONLY** and must be checked against actual sink to verify correct fit.

- ← Please cut along inner solid line for negative reveal 1/8"
- ← Please tear perforated edge for zero / flushed reveal
- ← Please use outer edge for positive reveal 3/8"