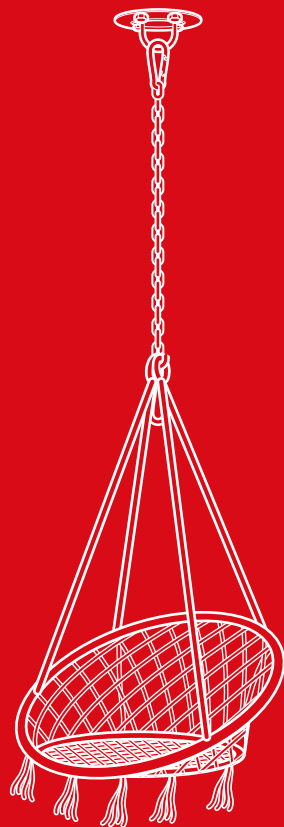




BEST CHOICE  
PRODUCTS



# INSTRUCTION MANUAL

---

Macrame Hanging Chair  
Hardware

## ! NOTICE

Retain these **Important Safety Instructions** for future reference.

- Close supervision is necessary when this furnishing is used by, or near children, or disabled persons, if applicable.
- It is the responsibility of the owner to ensure that all users of this product are adequately informed of all warnings and precautions.
- Use this product only as instructed in this manual.
- Please do not exceed the weight limitations of this item.
- Firmly secure all bolts, screws, or knobs before use.
- Reconfirm that all bolts, screws, and knobs are secure every 90 days.
- Be aware that some parts are heavy and have sharp edges.
- If any parts are missing, broken, damaged, or worn, stop using this product until repairs are made and/or factory replacement parts are installed.
- Do not use this item in a way inconsistent with the manufacturer's instructions as this could void the product warranty.
- Do not use or store this product in proximity to an open flame or flammable materials.
- When not in use, store this product in a clean, dry, dark space for optimal usage.
- Failure to acknowledge any or all of the above warnings may result in personal injury or property damage.

## TOOLS REQUIRED



M8  
WRENCH



POWER  
DRILL



PENCIL



HAMMER  
(RECOMMENDED)

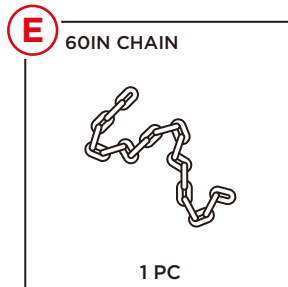
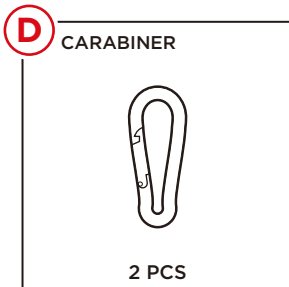
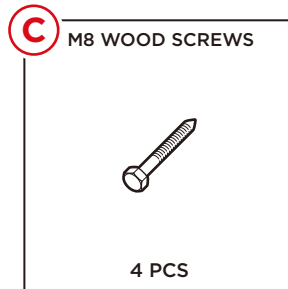
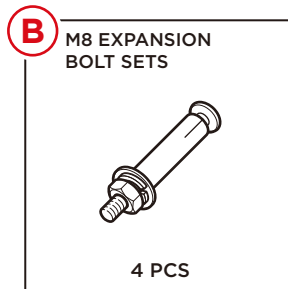
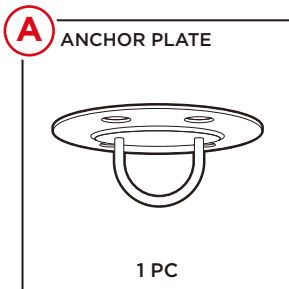


265 LBS  
CAPACITY



1 PERSON  
ASSEMBLY

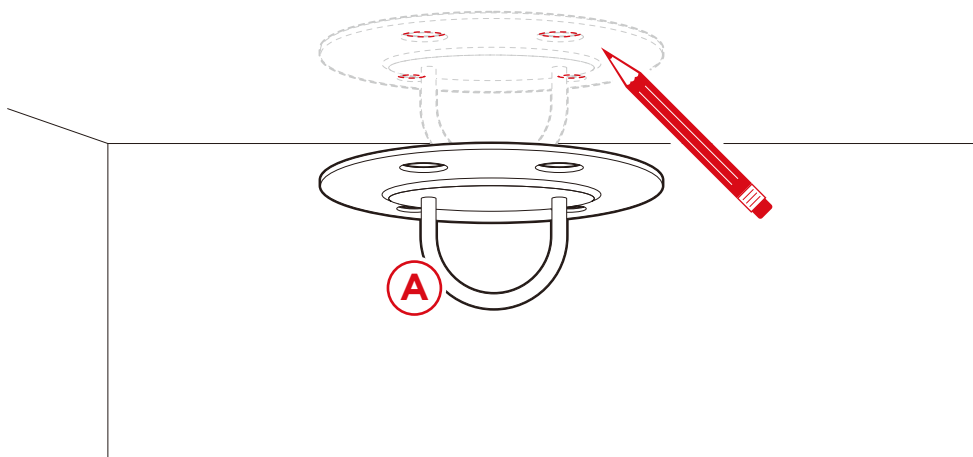
## HARDWARE



## PRODUCT ASSEMBLY (CONCRETE)

1

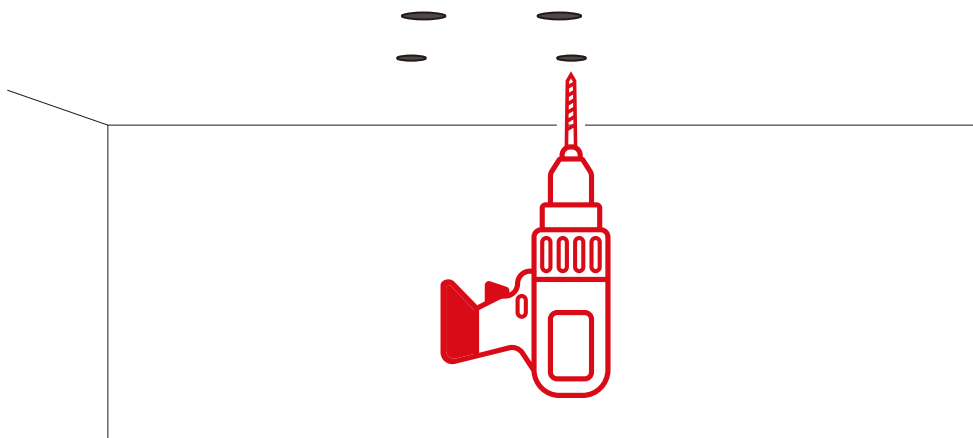
Place the **part A anchor plate** on your desired mounting position, then mark the four holes with a pencil.



2

Use a power drill equipped with a concrete bit to drive four pilot holes.

**NOTE:** Wear protective eyewear while drilling to prevent irritation from fallen debris.

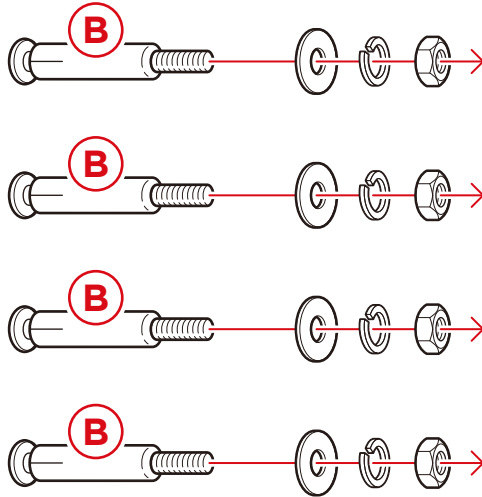


## PRODUCT ASSEMBLY (CONCRETE)

3

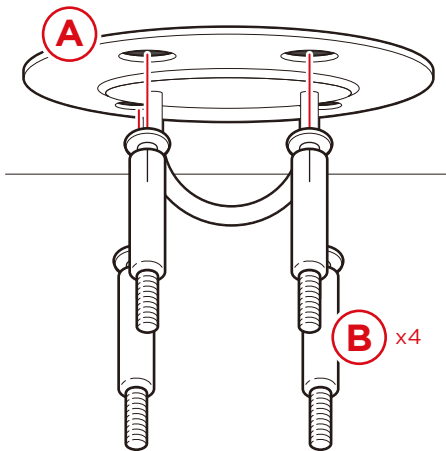
Remove the washers and nut from the **part B expansion bolt sets**, then remove the bolt from the anchor sleeve. Replace the washer and nut on the bolt so the nut abuts the bolt head, followed by the spring washer and the flat washer.

Return the bolt assembly to the anchor sleeve so the slits on the sleeve sit opposite to the bolt head.



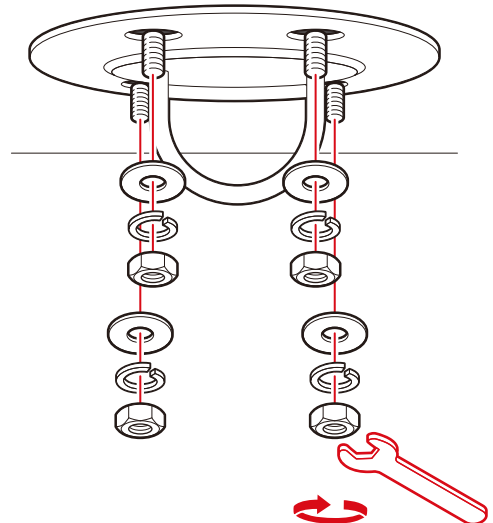
4

Place the **part A anchor plate** over the drilled holes and drive the **part B hardware** through the plate and into the concrete until the flat washer is flush with the plate.



5

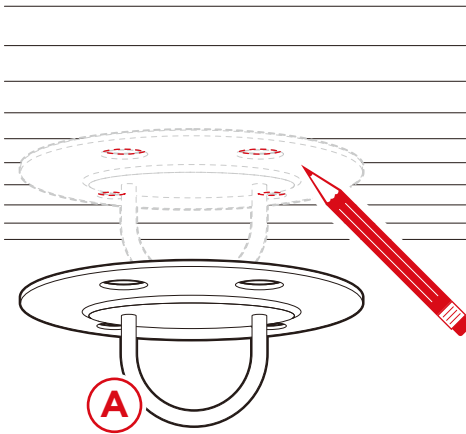
Use a wrench to tighten the nut until secure.



## PRODUCT ASSEMBLY (WOOD)

1

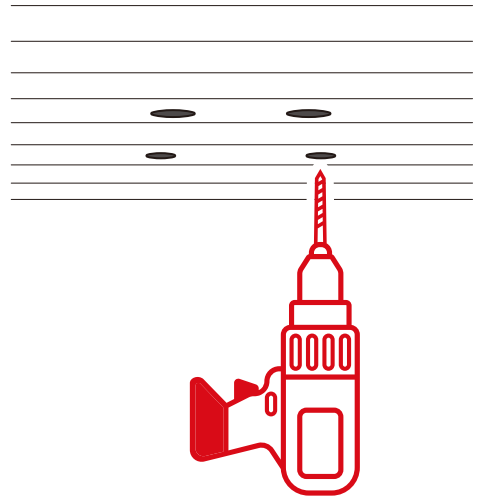
Place the **part A anchor plate** on your desired mounting position, then mark the four holes with a pencil.



2

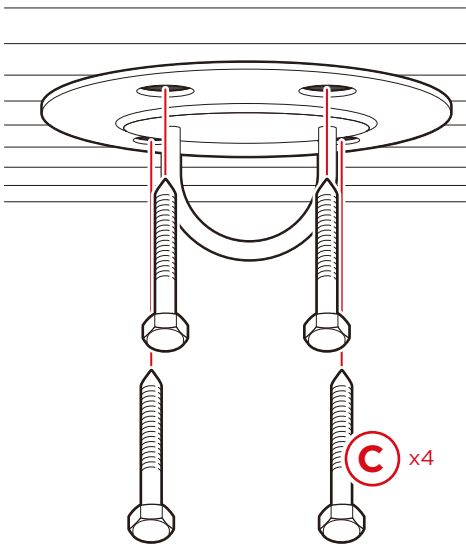
Use a power drill to drive four pilot holes.

**NOTE:** Wear protective eyewear while drilling to prevent irritation from fallen debris.



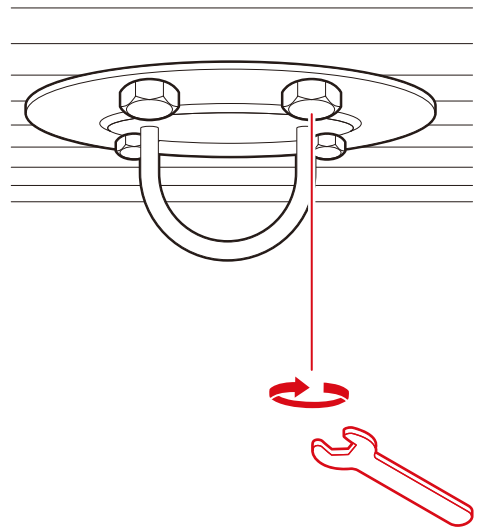
3

Place the **part A anchor plate** over the drilled holes and drive the **part C screws** through the plate and into the wood screw head is flush with the plate.



4

Use a wrench to tighten the screw until secure.

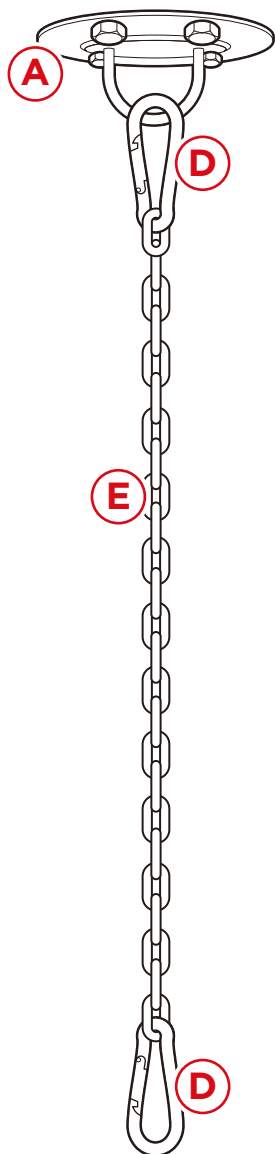


## MOUNTING CHAIN POSITIONS (OPTION 1)

1

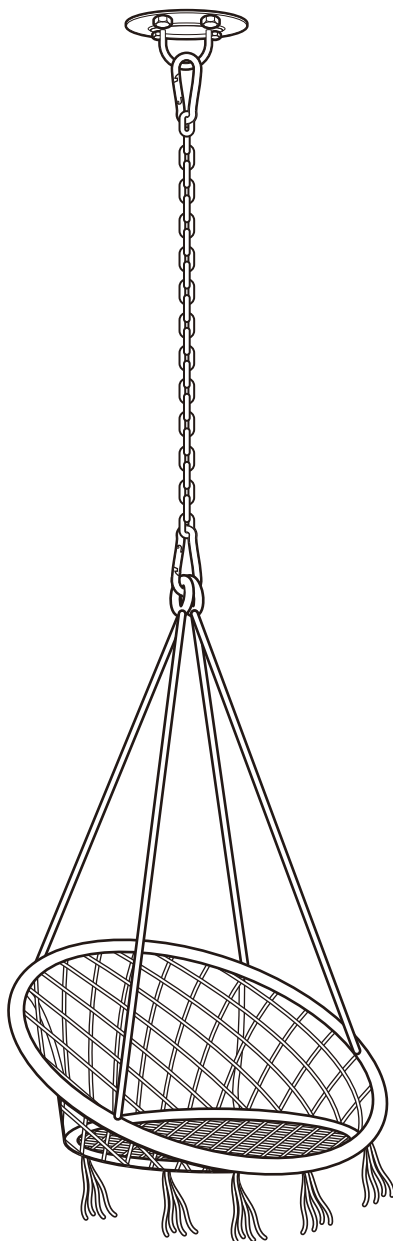
Place one **part D carabiner** onto the ring of the **part A anchor plate**, then attach the **part E mounting chain**.

Connect a second **part D carabiner** to the link in the **part E chain** you want the chair to hang from.



2

Overlap the mounting rings on the macrame chair and secure to the lower carabiner.

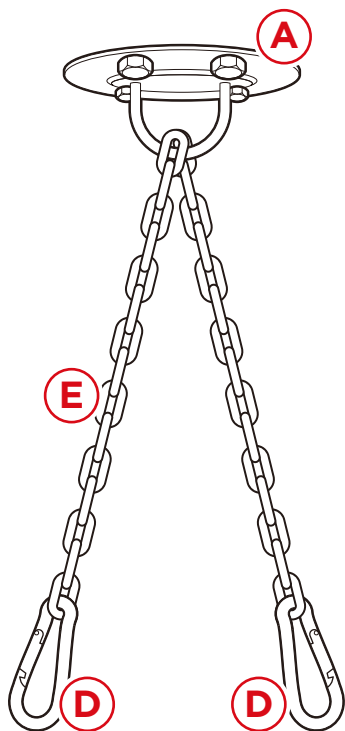


## MOUNTING CHAIN POSITIONS (OPTION 2)

1

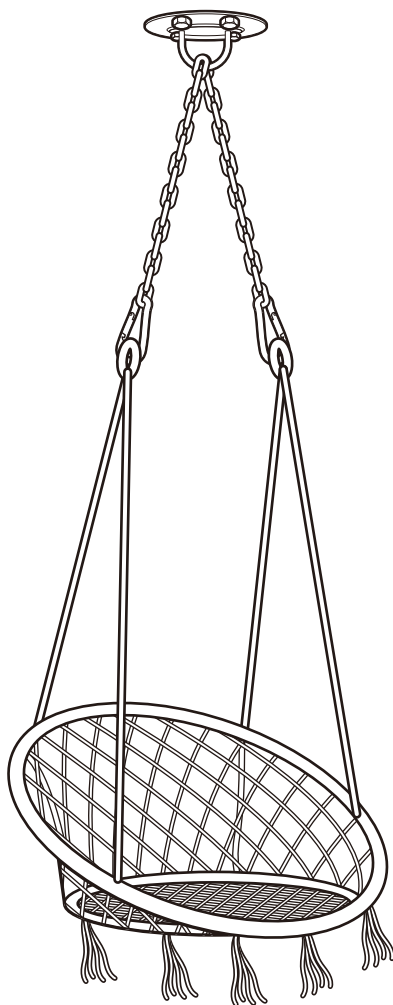
Place one **part D carabiner** on either end of the **part E chain**.

Loop the chain through the ring on the **part A anchor plate**.



2

Connect the mounting rings on the macrame chair to the part D carabiners.





# HELP CENTER



Question about your product? We're here to help. Visit us at:

[help.bestchoiceproducts.com](http://help.bestchoiceproducts.com)



Chat Support



Product Inquiry



Orders FAQ



Product Assembly



Returns & Refunds

## PRODUCT WARRANTY INFORMATION

All items can be returned for any reason within 60 days of the receipt and will receive a full refund as long as the item is returned in its original product packaging and all accessories from its original shipment are included. All returned items will receive a full refund back to the original payment method. All returned items will not be charged a re-stocking fee.

All returned items require an RA (Return Authorization) number, which can only be provided by a Best Choice Products Customer Service Representative when the return request is submitted. Items received without an RA may not be accepted or may increase your return processing time. Once an item has been received by Best Choice Products, refunds or replacements will be processed within 5 business days.

All returns must be shipped back to the Best Choice Products Return Center at the customer's expense. If the reason for return is a result of an error by Best Choice Products then Best Choice Products will provide a pre-paid shipping label via email. Boxes for return shipping will not be provided by Best Choice Products, and is the customer's responsibility to either use the original shipping boxes or purchase new boxes.

Pictures may be required for some returns to ensure an item is not damaged prior to its return. Items returned are not considered undamaged until they are received by Best Choice Products and verified as such. All damages to items are the customer's responsibility until the item has been received by and acknowledge by Best Choice Products as undamaged.



## WARNING

Manufacturer and seller expressly disclaim any and all liability for personal injury, property damage or loss, whether direct, indirect, or incidental, resulting from the incorrect attachment, improper use, inadequate maintenance, unapproved modification, or neglect of this product.