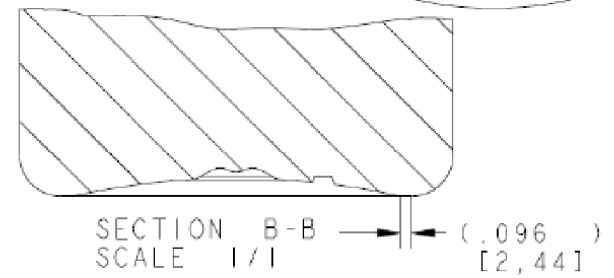
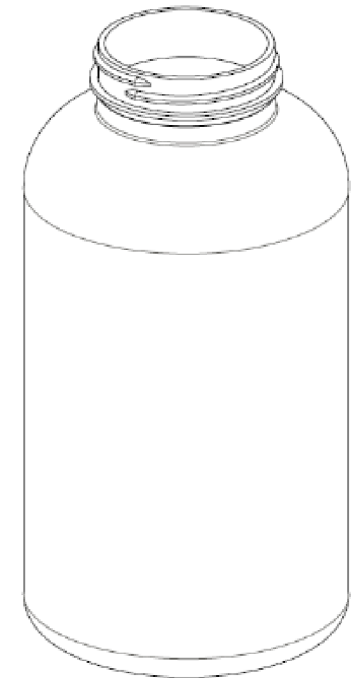
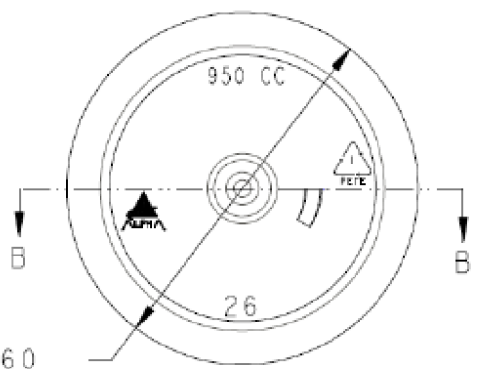


- T = 2.050 ± .017
- E = 1.957 ± .017
- H = .408 ± .015
- I = 1.578 MIN
- S = .048 ± .015



Overflow Capacity: 985 ml ± 15



DISCLAIMER

THIS INFORMATION IS PROVIDED AS A GENERAL GUIDE, INCLUDING DIMENSIONS. IT IS THE CUSTOMER'S RESPONSIBILITIES TO SELECT THE PROPER CONTAINER FOR PRODUCT AND APPLICATION COMPATIBILITY.

DISTRIBUTED BY:



REF NO.:

DWG10076

DESCRIPTION:

950 cc PET Packer, 53-400