


# Hyatt Place/Hyatt House Brand Standard

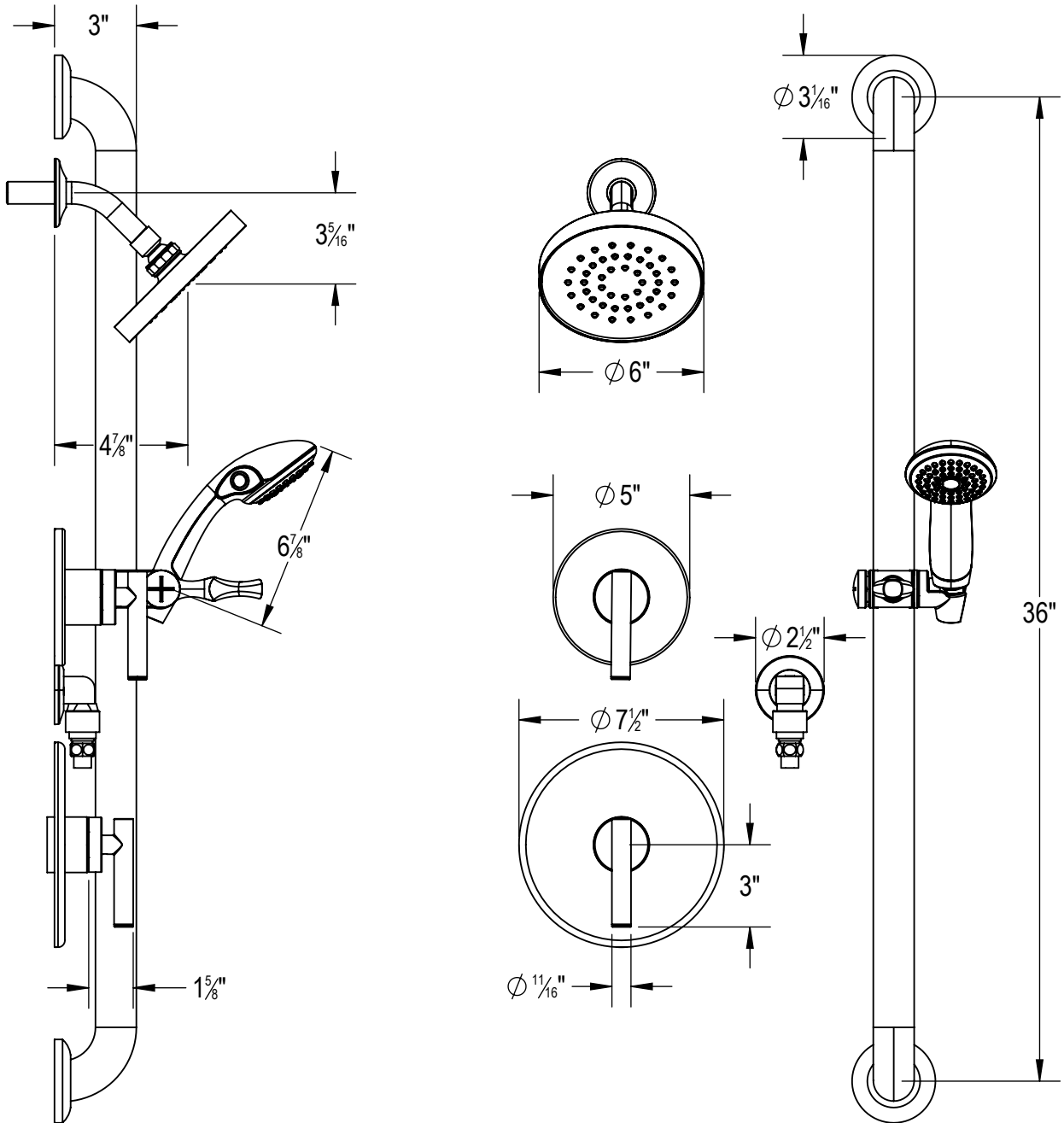
Shower/Hand Shower Trim


VERSION

**A**



<ul style="list-style-type: none"> <li>• Design &amp; Dimensions subject to change</li> <li>• Consult your Symmons Sales Representative for Timeline</li> </ul>		<b>REQUIRES:</b> 46-1X-BODY, 2DIV-BODY		<p>THIS DOCUMENT CONTAINS PROPRIETARY INFORMATION OF SYMMONS INDUSTRIES, INC. AND NEITHER THIS DOCUMENT OR ANY OF SAID PROPRIETARY INFORMATION SHALL BE PUBLISHED, REPRODUCED, COPIED, DISCLOSED OR USED FOR ANY PURPOSE WITHOUT THE EXPRESS WRITTEN PERMISSION OF A DULY AUTHORIZED REPRESENTATIVE OF SYMMONS INDUSTRIES, INC.</p>  <p> <b>SYMMONS</b><sup>®</sup>            SYMMONS INDUSTRIES            31 BROOKS DRIVE BRAintree, MA 02184            1-800-SYMMONS www.symmons.com         </p>
<b>PRODUCT NAME:</b> Shower/Hand Shower Trim		<b>ADDITIONAL NOTE:</b>		
<b>DATE</b> 8-28-2017	<b>SYMMONS MODEL#</b> 0488-3505-CYL-T736-2.0TRM	<b>VERSION:</b> A	<b>FINISH:</b> Polished Chrome	
<b>Approved by:</b>		<b>Approval Date:</b>	<b>Approval Signature:</b>	



<ul style="list-style-type: none"> <li>• Design &amp; Dimensions subject to change</li> <li>• Consult your Symmons Sales Representative for Timeline</li> </ul>		<b>REQUIRES:</b> 46-1X-BODY, 2DIV-BODY		*THIS DOCUMENT CONTAINS PROPRIETARY INFORMATION OF SYMMONS INDUSTRIES, INC. AND NEITHER THIS DOCUMENT OR ANY OF SAID PROPRIETARY INFORMATION SHALL BE PUBLISHED, REPRODUCED, COPIED, DISCLOSED OR USED FOR ANY PURPOSE WITHOUT THE EXPRESS WRITTEN PERMISSION OF A DULY AUTHORIZED REPRESENTATIVE OF SYMMONS INDUSTRIES, INC.*   SYMMONS INDUSTRIES 31 BROOKS DRIVE BRAINTREE, MA 02184 1-800-SYMMONS www.symmons.com
<b>PRODUCT NAME:</b> Shower/Hand Shower Trim		<b>ADDITIONAL NOTE:</b>		
<b>DATE</b> 8-28-2017	<b>SYMMONS MODEL#</b> 0488-3505-CYL-T736-2.0TRM	<b>VERSION:</b> A	<b>FINISH:</b> Polished Chrome	
<b>Approved by:</b>		<b>Approval Date:</b>	<b>Approval Signature:</b>	