

KALLISTA®

One™ Nazaré® by KALLISTA Sink faucet, low spout, lever handles P23320-LV

Features

- Product available for Multi-Unit and Hospitality projects only with 5 unit minimum per item per order. Please contact KALLISTA customer service at projectconciierge@kallista.com or (888-452-5547) for additional information
- High-quality solid-brass construction for durability and reliability
- Widespread sink faucet for 8" – 16" (203 – 406 mm) centers
- 1.2 gpm (4.5 lpm) maximum flow rate
- Spout reach is 5-5/16" (135 mm)
- Includes soft-touch drain
- Laminar flow

Recommended Products/Accessories

P74234-WO Under-mount Sink, Soft Rectangle with Overflow, Glazed
P23348-LV Sink faucet, gooseneck spout, lever handles
P34401-00 Towel Bar, 24"
P34407-00 Disc Hook

MULTI-UNIT AND HOSPITALITY EXCLUSIVE



ADA **CSA B651** **OBC**

Codes/Standards

ASME A112.18.1/CSA B125.1
NSF/ANSI/CAN 61
NSF/ANSI/CAN 372
DOE - Energy Policy Act 1992
EPA WaterSense®
California Energy Commission (CEC)
ADA
ICC/ANSI A117.1
CSA B651
OBC

KALLISTA® Five-Year Limited Warranty

See website for detailed warranty information.

Available Colors/Finishes

Color tiles intended for reference only.

Color	Code	Description
	CP	Polished Chrome
	BAF	Brushed French Gold
	SN	Polished Nickel
	2MB	Brushed Moderne Brass

1-888-4-KALLISTA (1-888-452-5547)

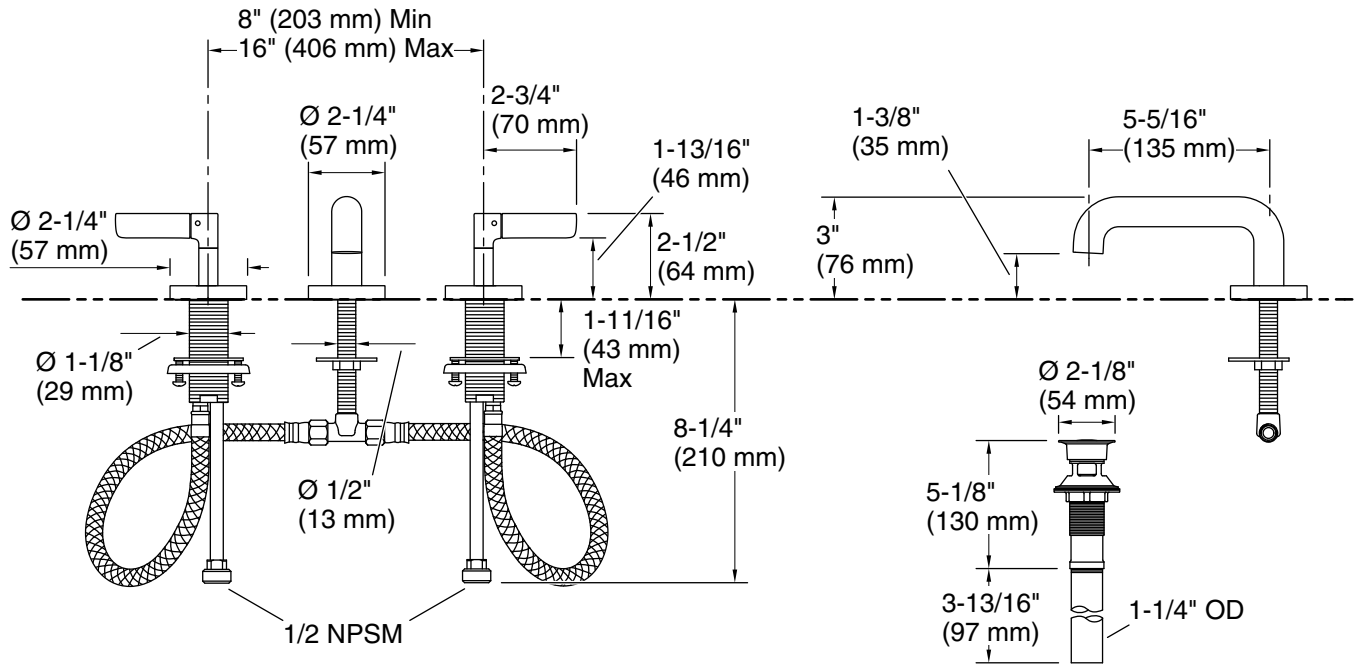
Kallista reserves the right to make revisions without notice to product specifications.

For the most current Specification Sheet, go to www.kallista.com.

2-15-2025 21:43 - US/CA

KALLISTA

One™ Nazaré® by KALLISTA
Sink faucet, low spout, lever handles
P23320-LV



Technical Information

All product dimensions are nominal.

Faucet flow rate: 1.2 gal/min (4.5 l/min)

Drain included: Yes

Drain with overflow: Yes

Spout:

Spout reach: 5-5/16" (135 mm)

Pressure/fixture Supply Requirements

Min flow rate: 1.2 gpm (4.5 lpm)

Notes

ADA, OBC, CSA B651 compliant when installed to the specific requirements of these regulations.