



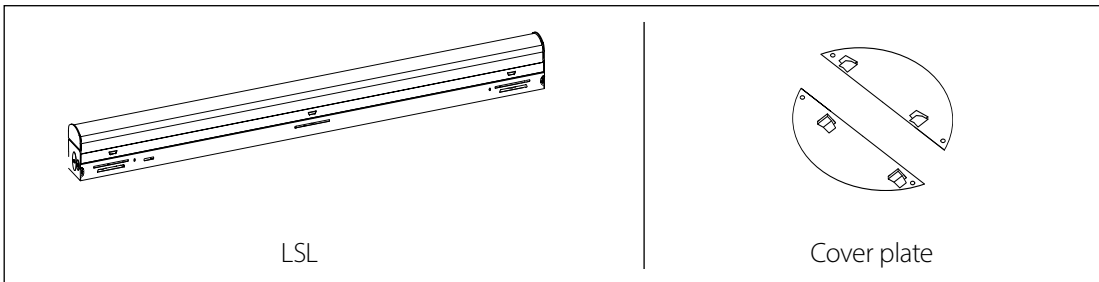
WARNING:

- To reduce the risk of death, personal injury or property damage from fire, electric shock, falling parts, cuts/abrasions, and other hazards read all warnings and instructions included with and on the fixture box and all fixture labels.
- Before installing, servicing, or performing routine maintenance upon this equipment, follow these general precautions.
- Commercial installation, service and maintenance of luminaires should be performed by a qualified licensed electrician.
- For installation: If you are unsure about the installation or maintenance of the luminaires, consult a qualified licensed electrician and check your local electrical code.
- To prevent wiring damage or abrasion, do not expose wiring to edges of sheet metal or other sharp objects.
- Do not make or alter any open holes in an enclosure of wiring or electrical components during kit installation.
- Turn off electrical power at fuse or circuit breaker box before wiring fixture to the power supply.
- Turn off the power when you perform any maintenance.
- Verify that supply voltage is correct by comparing it with the luminaire label information.
- All wiring connections should be capped with UL approved wire connectors.

NOTICE:

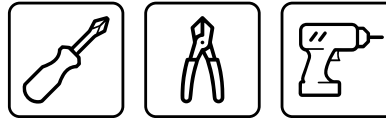
Green ground screw provided in proper location. Do not relocate.
Minimum 90° supply conductors.
Suitable for Dry or Damp location.

What's In The Box

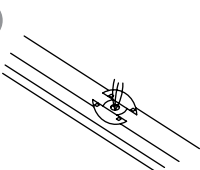
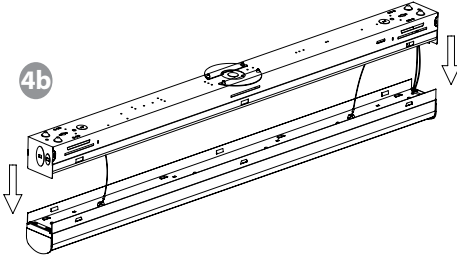
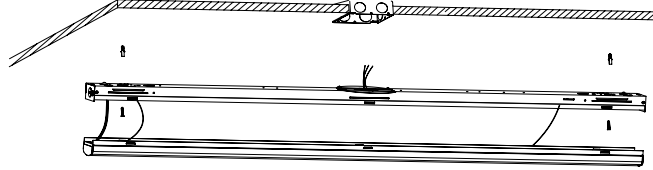
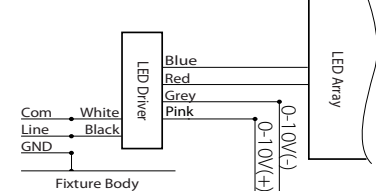


Tools Needed


The LSL requires very few tools for installation. A screwdriver, a pair of wire strippers and a drill will help to install the fixture.



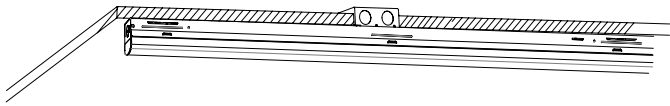
Make sure all power is turned off before beginning installation

<p>1 Carefully unpack the fixture from its packaging. Inspect product for defects due to shipping.</p>	
<p>2 Turn off power to appropriate circuit at the breaker box.</p>	<p>3 Mount cover plate on back of luminaire body if mounting over junction box (Figure 4a).</p>
<p>4 Remove the lens module from fixture by squeezing and pulling up. Press the part between the narrow rectangular hole and snap-lock on sides (Figure 4b).</p> <p>4a </p> <p>4b </p>	<p>5 Mount the luminaire body to the ceiling with fasteners appropriate for surface material.</p> 
	<p>6 Connect wiring as shown. Grey and pink wire is for 0-10V dimming systems. Cap off if not used.</p> 

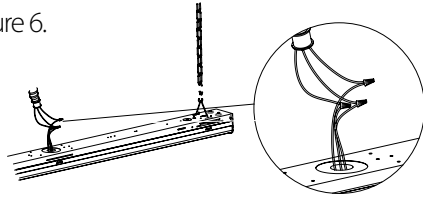
Mounting Installation

 **Make sure all power is turned off before beginning installation**

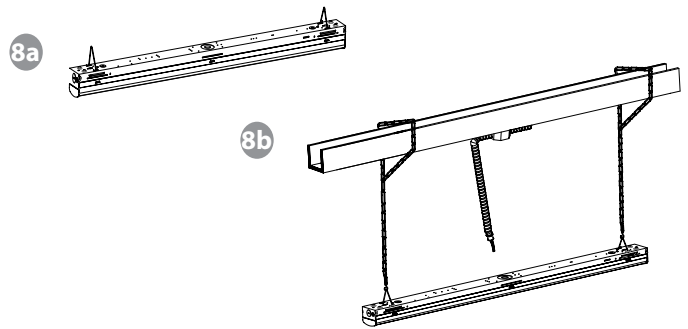
- 7** Mount the lens module upwards to luminaire body. Firmly press till it snaps into place.



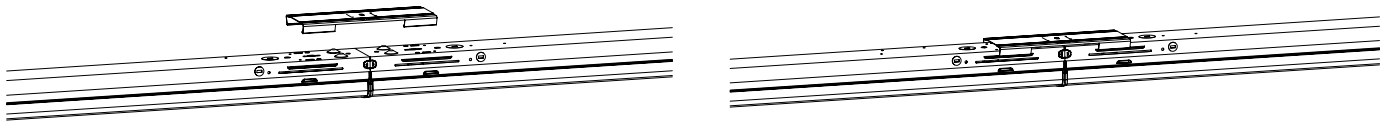
- 9** Connect wiring per Figure 6.



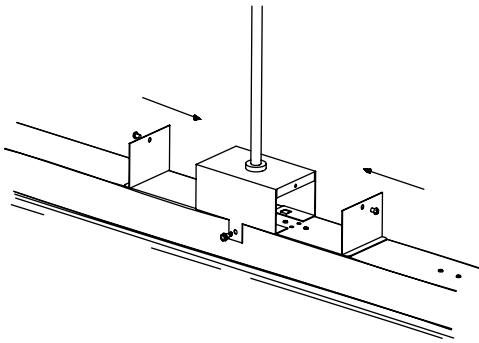
- 8** For chain suspended luminaires, install the included V-Hooks as shown on drawing (Figure 8a). Attach V-Hooks to chain (not included) and mount to structure (Figure 8b).



- 10** Installation of the LSL-CR-Bracket (accessory). Install connector bracket onto the back of the luminaires into the punched slots.



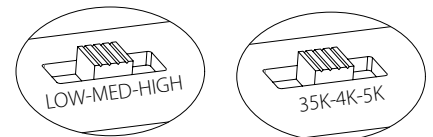
- 11** For pendant mount accessory kit: Align kit to center of body and fasten with provided screws. Attach fixture to 3/8 conduit and complete wiring per diagram. Connect wiring (Figure 6). When complete, enclose kit with endplates.



- 12** Restore power to luminaire.
NOTE: It is critical to confirm proper installation and lock to prevent lens module from falling from fixture.

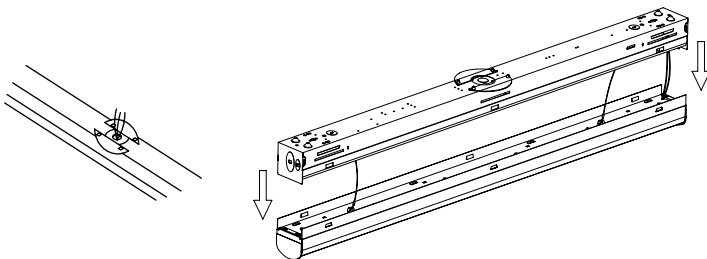
- 13** To adjust CCT or Wattage (lumen output), adjust the switch positions on the inside of the body to the desired setting.

- 1) Power selection switch is a three-position switch that will adjust light output: Low/Medium/High.
- 2) CCT selection switch is a three-position switch that will adjust Color Temperature between 3500K, 4000K, or 5000K.

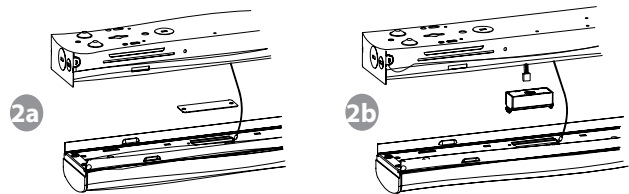


Microwave Sensor Installation

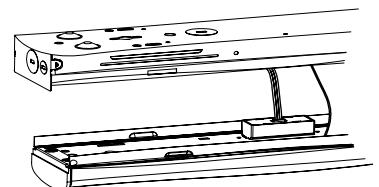
- 1** Remove the lens module from fixture by squeezing and pulling up. Press the part between the narrow rectangular hole and snap-lock on sides.



- 2** Remove the sensor knockout from lens module (2a) and snap in the Microwave sensor SNAPINSENSORMW (2b).



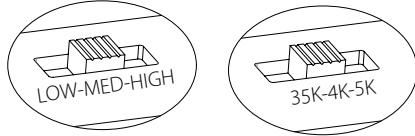
- 3** Connect Microwave sensor (SNAPINSENSORMW) to plug from driver as shown.



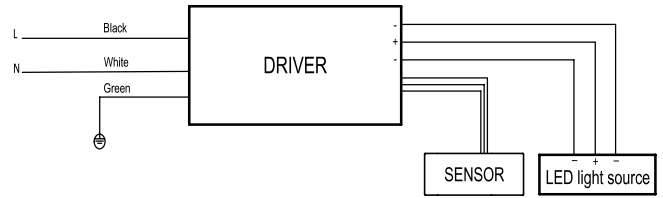
Microwave Sensor Installation - Continued

4 On luminaires with SNAPINSENSORMMW sensor, wattage and CCT are selectable via switches. To adjust CCT or Wattage (lumen output), adjust the switch positions on the inside of the body to the desired setting.

- 1) Power selection switch is a three-position switch that will adjust light output: Low/Medium/High.
- 2) CCT selection switch is a three-position switch that will adjust Color Temperature between 3500K, 4000K, or 5000K.

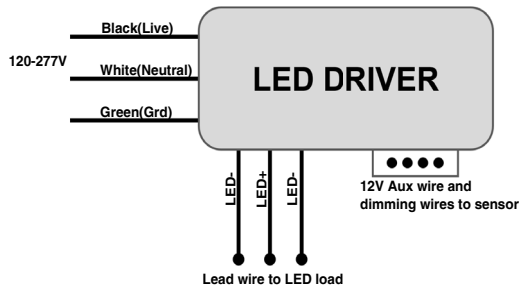


5 Connect wiring to building power. Adjust SNAPINSENSORMMW sensor settings with LSLREMOTE (accessory).



Bluetooth Driver w/Sensor (NP)

1 Bluetooth driver (NP) option comes with integrated network sensor (NLCSPFWNBWH). Connect wiring to building power. Configure control settings through NLC APP. Scan QR code (2) to access through app. store.



2 On luminaires with Bluetooth driver (NP), the wattage and CCT are tunable via the NLC APP.



3 Restore power to luminaire. **NOTE:** It is critical to confirm proper installation and lock to prevent lens module from falling from fixture.

This device complies with part 15 of the FCC Rules. Operation is subject to the following two conditions: (1) This device may not cause harmful interference, and (2) this device must accept any interference received, including interference that may cause undesired operation.

NOTE: This equipment has been tested and found to comply with the limits for a Class A digital device, pursuant to part 15 of the FCC Rules. These limits are designed to provide reasonable protection against harmful interference when the equipment is operated in a commercial environment. This equipment generates, uses, and can radiate radio frequency energy and, if not installed and used in accordance with the instruction manual, may cause harmful interference to radio communications. Operation of this equipment in a residential area is likely to cause harmful interference in which case the user will be required to correct the interference at his own expense.

LED EXPRESS LIMITED WARRANTY

Subject to the exclusions below, each NICOR LED product, including the LED electronics and components of a property installed NICOR LED product, will be free from defect in materials and workmanship for a period of five (5) years from the original date of purchase. The product shall be considered defective only if 10% or more of the product's LED components fail. NICOR LED product warranty covers the following performance criteria: LED Light Output will be maintained above 70% of initial output; LED color temperature will not shift more than 200K in CCT; LED driver will operate within NICOR specifications; and the fixture finish, excluding natural aluminum or brass products, will not exhibit cracking, peeling, excessive fading, or corrosion during the warranty period. Exceptions apply as defined in NICOR's product specification sheets, which are incorporated by reference herein.

This limited warranty is provided to you, the purchaser of the product identified on Seller's invoice, as your exclusive remedy and applies only to NICOR products that have been purchased from an authorized NICOR Distributor; the product was new and in an unopened NICOR package at the time of installation; and the NICOR product was installed by a licensed electrician or under the supervision of a licensed electrician and used by consumers in the United States or Canada when accompanied with this warranty. This warranty extends only to the first consumer purchaser and is not transferable. A consumer wishing to invoke the terms of this limited warranty must first obtain a RGA number within 30 days of discovery of the defect, and return the product to NICOR for inspection. Once verified to be covered by this limited warranty, NICOR will, at its sole discretion, repair, replace, or refund the purchase price of any product that does not conform to this limited warranty. If NICOR, at its sole discretion, determines that the product should be repaired or replaced, this warranty is limited to the reasonable, customary, and necessary costs and expenses associated with the repair/replacement. This warranty requires that all repair/replacement estimates and costs, including but not limited to equipment rental (if any), and any other cost or expense to be incurred in the repair/replacement of the product, be approved in advance and in writing by NICOR.

FAILURE TO OBTAIN NICOR'S ADVANCE WRITTEN APPROVAL OF ALL REPAIR/REPLACEMENT COSTS AND EXPENSES IN WRITING SHALL VOID THIS LIMITED WARRANTY.

THIS LIMITED WARRANTY DOES NOT COVER THE FOLLOWING:

- Defects or damages resulting from improper installation, operation, storage, misuse or abuse, accident, or neglect;
- Defects or damages resulting from improper service, testing, adjustment, installation, maintenance, alteration, connection to out-of-specification electrical service, corrosive or damp environments, or connection to incompatible equipment or devices (e.g., connecting non-dimmable lighting products to dimmers);
- Damage which occurs in transit;
- Power surges or overheating due to external conditions
- Acts of nature including but not limited to lightning strikes

ANY IMPLIED WARRANTIES, INCLUDING WITHOUT LIMITATION, THE IMPLIED WARRANTIES OF MERCHANTABILITY AND FITNESS FOR A PARTICULAR PURPOSE SHALL BE LIMITED TO THE DURATION OF THIS LIMITED WARRANTY, OTHERWISE THE REPAIR, REPLACEMENT, OR REFUND AS PROVIDED UNDER THIS EXPRESS LIMITED WARRANTY IS THE EXCLUSIVE REMEDY OF THE CONSUMER, AND IS PROVIDED IN LIEU OF ALL OTHER WARRANTIES, EXPRESS OR IMPLIED. IN NO EVENT SHALL NICOR BE LIABLE, WHETHER IN CONTRACT OR IN TORT (INCLUDING NEGLIGENCE) FOR DAMAGES IN EXCESS OF THE PURCHASE PRICE OF THE PRODUCT, OR FOR ANY INDIRECT, INCIDENTAL, SPECIAL OR CONSEQUENTIAL DAMAGES OF ANY KIND, OR LOSS OF REVENUE OR PROFITS, LOSS OF BUSINESS OR OTHER FINANCIAL LOSS ARISING OUT OF OR IN CONNECTION WITH THE ABILITY OR INABILITY TO USE THE PRODUCT TO THE FULL EXTENT THESE DAMAGES MAY BE DISCLAIMED BY LAW.