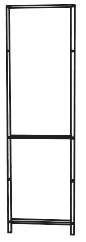
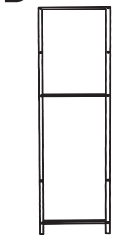
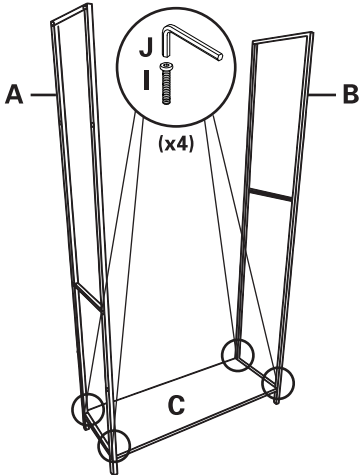
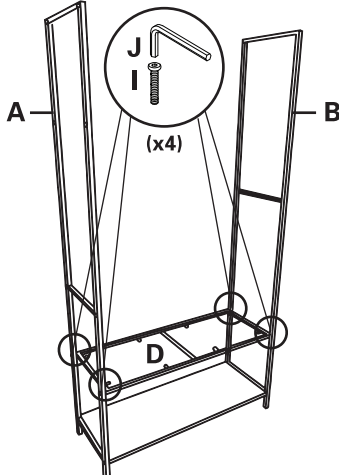
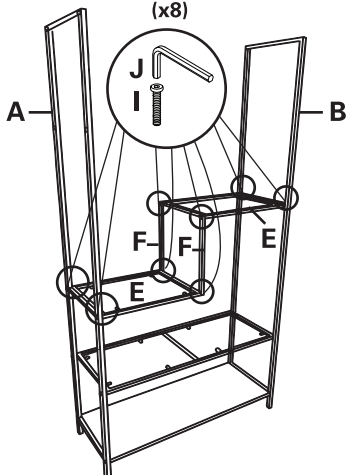



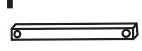
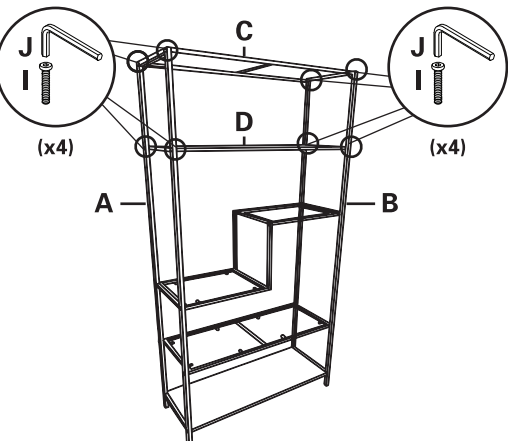
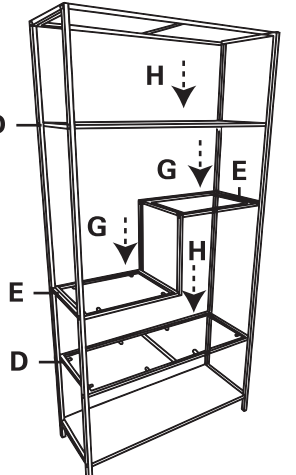
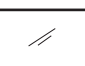
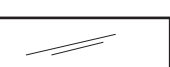


ELLIOT 4-TIER ETAGERE BOOKCASE

ASSEMBLY INSTRUCTIONS

FIRSTIME & CO.[®]
— AMERICAN DESIGNED —

| PARTS | | STEP 1 | STEP 2 | STEP 3 |
|---|---|--|---|--|
| <p>A</p>  <p>1 PC</p> | <p>B</p>  <p>1 PC</p> | <p>Attach side frames (A + B) to the bottom shelf (C).</p>  | <p>Attach shelf frame (D) to the side frames (A + B).</p>  | <p>Attach rods (F x 2) to shelf frames (E x 2), then attach to the side frames (A + B).</p>  |
| <p>C</p>  <p>2 PC</p> | <p>D</p>  <p>2 PC</p> | | | |
| <p>E</p>  <p>2 PC</p> | <p>F</p>  <p>2 PC</p> | <p>Attach shelf frames (C + D) to the side frames (A + B).</p>  | <p>Place glass shelves (G + H) into shelf frames (D + E).</p>  | <p>⚠ WARNING: Serious or fatal crushing injuries can occur from furniture tip-over.</p> <p>To help prevent tip-over:</p> <ul style="list-style-type: none"> • Affix product to the wall with included anti-tip kit. • Place heaviest items on the lowest shelves. • Never allow children to climb or hang on the shelves. |
| <p>G</p>  <p>2 PC</p> | <p>H</p>  <p>2 PC</p> | | | |

⚠ WARNING: USE OF A TIP-KIT WILL ONLY REDUCE, NOT ELIMINATE, TIP-OVER.