



Occasion[®] | K-27009-K

Bathroom sink faucet spout with Straight design, 1.0 gpm

Features

- 1.0 gpm (3.8 lpm) maximum flow rate at 60 psi (4.14 bar)
- Laminar flow
- Metal pop-up drain with lift rod and 1-1/4" tailpiece
- Part of the Occasion bathroom faucet and accessory collection



Sustainability



1-800-4KOHLER (1-800-456-4537)
Kohler Co. reserves the right to make revisions without notice to product specifications.
For the most current specification sheet, go to www.kohler.com USA or www.kohler.ca Canada.
5-12-2026 19:48 - US-CA

THE BOLD LOOK
OF **KOHLER**

Codes/Standards



ASME A112.18.1/CSA B125.1
NSF/ANSI/CAN 372
NSF/ANSI/CAN 61
DOE - Energy Policy Act 1992
EPA WaterSense®
California Energy Commission (CEC)
NSF/ANSI/CAN 61|NSF/ANSI/CAN 372

Technical Information

All product dimensions are nominal.

Spout

Spout Reach: 6-1/16" (154 mm)
Drain With Overflow: Yes

Flow Rate

Faucet Flow Rate: 1 gpm (3.8 l/min)

Material

- Premium metal construction for durability and reliability
 - KOHLER finishes resist corrosion and tarnishing
-

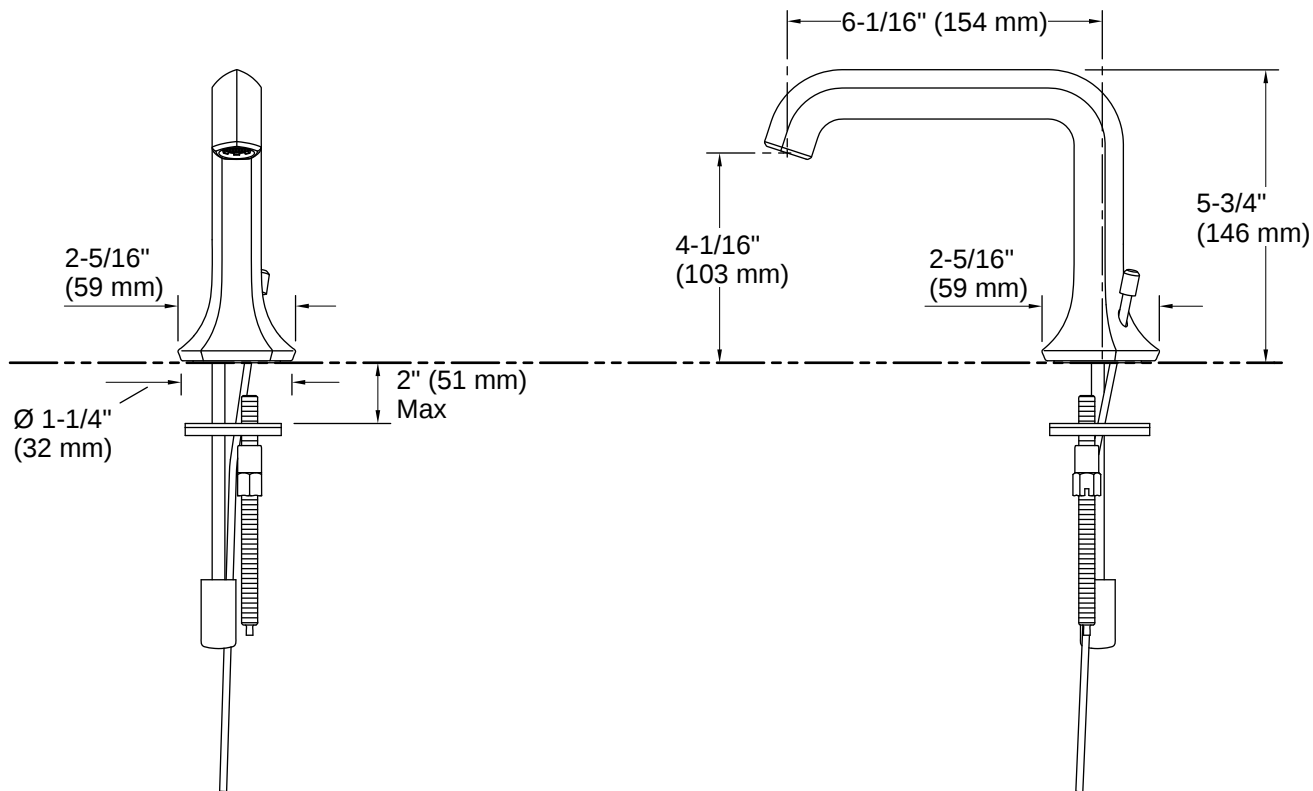
Recommended Products/Accessories

K-23726 Drain treatment
K-23723 Faucet cleaner

Required Products/Accessories

- K-27010-3 Cross bathroom sink faucet handles
- or
- K-27010-4 Lever bathroom sink faucet handles
- or
- K-27010-9 Knob bathroom sink faucet handles
-





Installation

- For 8" - 16" (203 - 406 mm) centers
- Deck-mount

Installation Notes

Install this product according to the installation instructions.

