



Mariposa® | K-1239-CB

60" x 36" drop-in whirlpool bath

Features

- Single-speed whirlpool offers performance and value, with 5 fully adjustable jets
- Hydromassage flow and direction can be controlled at each jet
- Hourglass shape adds style and elegance to your bathroom
- Textured bottom surface
- Multiple pump location options give you more choices for installation and access



Available Colors/Finishes

Color tiles intended for reference only.

- 0 White



1-800-4KOHLER (1-800-456-4537)
Kohler Co. reserves the right to make revisions without notice to product specifications.
For the most current specification sheet, go to www.kohler.com USA or www.kohler.ca Canada.
5-12-2026 18:15 - US-CA

THE BOLD LOOK
OF **KOHLER**®

Codes/Standards

ASME A112.19.7/CSA B45.10
 CSA B45.5/IAPMO Z124
 ASTM E162
 ASTM E662
 UL 1795
 UL Listed

Technical Information

All product dimensions are nominal.

Drain Location:	Reversible
Drain Hole Diameter:	2-1/4" (57 mm)
Minimum Flat for Door:	2" (51 mm)
Basin Area, Bottom:	46" x 24" (1168 mm x 610 mm)
Basin Area, Top:	54" x 27" (1372 mm x 686 mm)
Water Depth:	14" (356 mm)
Water Capacity:	63 gal (238.5 L)
Minimum Floor Load:	44 lbs/ft ²
Weight:	105 lbs (47.6 kg)
Cutout:	Drop-in, 58" x 34" (1473 mm x 864 mm)

Material

- Acrylic

Recommended Products/Accessories

- K-9695 Whirlpool trim kit with five jets
- K-1491 Bath/whirlpool pillow, removable
- K-1601 Bath/whirlpool footstop, removable
- K-23726 Drain treatment
- K-23732 Tub & shower cleaner
- K-7213 Cable bath drain with PVC tubing
- K-7214 Cable bath drain, less PVC tubing
- K-7265 Brass toe tap bath drain
- K-7259 Brass toe tap bath drain

Required Products/Accessories

- K-T37392 Rotary-turn bath drain trim
 - K-T37391 Rotary-turn bath drain trim
- or
- K-78438 30" cable bath drain
 - K-37383 Rough-in cable bath drain, PVC, 30" cable with tubing
- or
- K-78439 45" cable bath drain
 - K-37385 Rough-in cable drain, PVC, 45" cable, less horizontal tube

Required Electrical Service

One dedicated circuit required, protected with Class A Ground-Fault Circuit-Interrupter (GFCI). Outside North America, this device may be known as a Residual Current Device (RCD).

Pump: 120 V, 15 A, 60 Hz

Electrical Component Ratings

Pump: 120 V, 7.5 A, 60 Hz

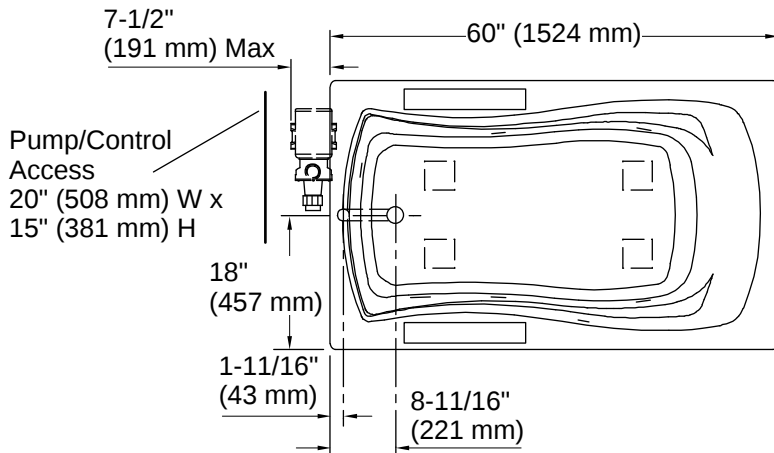
Number of Speeds: Single

Warranty

See website for detailed warranty information.

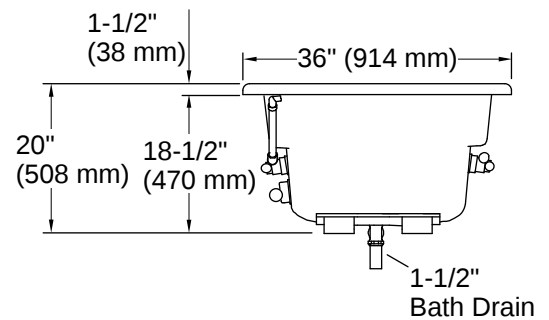
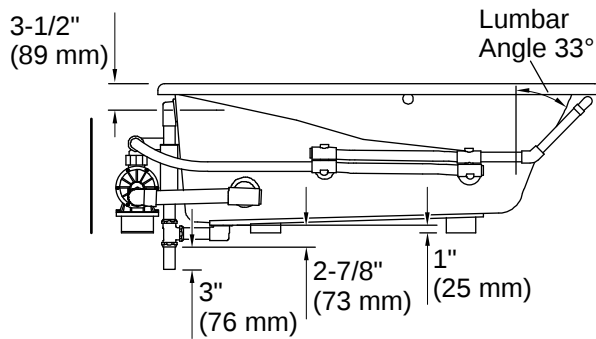
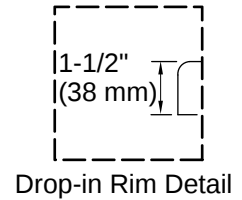
KOHLER® Plastic Baths and Shower Bases Lifetime Limited Warranty|KOHLER® Hydrotherapy Components Five-Year Limited Warranty





No change in measurements if connected with drain illustrated. (K-7161-AF)

□ Recommended Faucet Location



Installation

- Reversible drain
- Drop-in

Installation Notes

Install this product according to the installation instructions.

Measure your actual product for rough-in details.

The hot water supply should be 70% of the capacity of the bath or greater. Installations will vary.

Pump must be relocated to custom position at the time of installation.

Provide adequate clearance.

If installing a rim-mount faucet, make sure there is no interference above or below the deck before drilling any holes.

