

## For Residential and Commercial Applications

Job Name:

Engineer/Architect:

Job Location:

Wholesaler:

Submittal Date:

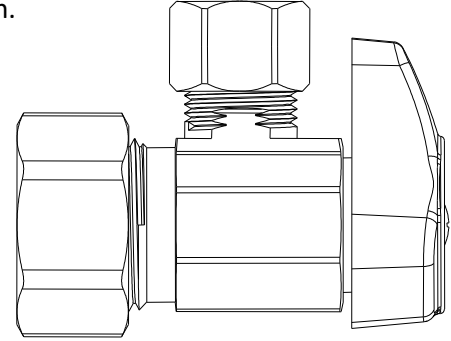
Contractor:

### G2CR09/19/39X 1/4 Turn Angle Stop – Compression x Compression

**Use:** For use in potable water distribution systems in accessible locations only. Not intended for recirculation systems/continuous use temperatures above 115°F. For those applications, use our KT™ series ball stop.

**Design Features:**

- **One-piece shut-off mechanism** provides smooth on-off operation.
- **Positive 1/4 turn** shut off.
- **Corrosion-resistant handle** is plated in an attractive chrome finish.
- **Machined one-piece brass body** provides strength, durability and long-lasting performance.
- **Easy-to-remove handle** with screw attachment helps protect against accidental operation during rough-ins.
- **100% leak** tested.
- **For use with** ASTM F876 PEX tubing, in ASTM F877 water distribution systems (parts containing PXX only.)
- **No-lead brass material** meets compliance for safe drinking.



**Operating Specifications:**

**Temperature:** 40°- 160°F

**Pressure:** 125 PSI maximum

STOP MATERIAL SPECIFICATIONS	
<b>Body</b>	Brass, plated
<b>Stem Barrel</b>	TPE
<b>Stem Shaft</b>	Engineered polymer
<b>O-ring</b>	Rubber
<b>Handle</b>	ABS, plated or zinc die cast, plated
<b>Handle Screw</b>	Steel, zinc plated
<b>Compression Nut</b>	Brass, plated
<b>Compression Sleeve</b>	Brass
<b>PEX Insert*</b>	Stainless steel

\*Where specified

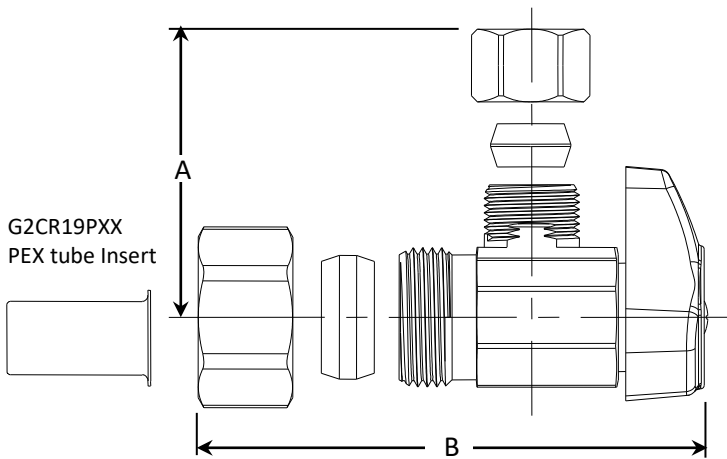
*This specification and all information contained herein is the confidential and exclusive property of BrassCraft Manufacturing Company and shall not be disclosed to others without the written consent of BrassCraft. This specification must be returned to BrassCraft if requested.*

*\*Products shown may differ from those available in the Canadian market.*

# G2CR09/19/39X 1/4 Turn Angle Stop – Compression x Compression

**Part Listing:**

- G2CR09X C 1/2" Nom Compression x 1/4" OD Compression, Chrome Plated
- G2CR09X C1 1/2" Nom Compression x 1/4" OD Compression, Chrome Plated, Window Tray
- G2CR09X CD 1/2" Nom Compression x 1/4" OD Compression, Chrome Plated, Blister Card
- G2CR09X R 1/2" Nom Compression x 1/4" OD Compression, Rough Brass
- G2CR19X C 1/2" Nom Compression x 3/8" OD Compression, Chrome Plated
- G2CR19X C1 1/2" Nom Compression x 3/8" OD Compression, Chrome Plated, Window Tray
- G2CR19X CD 1/2" Nom Compression x 3/8" OD Compression, Chrome Plated, Blister Card
- G2CR19X R 1/2" Nom Compression x 3/8" OD Compression, Rough Brass
- G2CR19PXX C 1/2" Nom Compression with PEX Stainless Steel Insert x 3/8" OD Compression, Chrome Plated
- G2CR19L1X CB 1/2" Nom Compression x 3/8" Od Compression, Less Outlet Nut, Chrome Plated, Bulk
- G2CR39X CD 1/2" Nom Compression x 1/2" OD Compression, Chrome Plated, Blister Card



<b>PART DIMENSIONS (Inches)</b>		
<b>Model</b>	<b>DIM A</b>	<b>DIM B</b>
G2CR09X	1.02	2.16
G2CR19X	1.02	2.16
G2CR19L1X	.74	2.16
G2CR19PXX	1.02	2.16
G2CR39X	1.11	2.16

**Listings & Certifications:**

- IAPMO listed to ASME A112.18.1 / CSA B125.1 (includes NSF/ANSI 372 and NSF/ANSI/CAN 61)



*This specification and all information contained herein is the confidential and exclusive property of BrassCraft Manufacturing Company and shall not be disclosed to others without the written consent of BrassCraft. This specification must be returned to BrassCraft if requested.*

*\*Products shown may differ from those available in the Canadian market.*