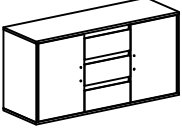



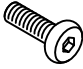


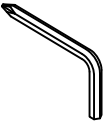
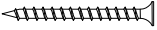
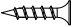
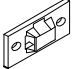

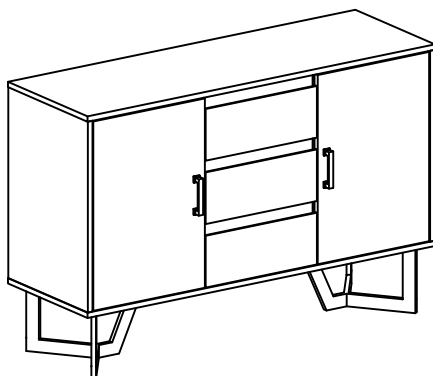


ASSEMBLY INSTRUCTION

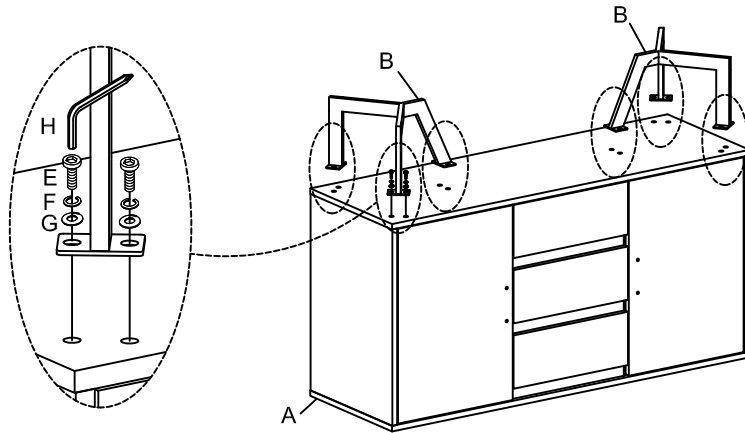
SERVER

A Server  1 PC	B Leg  2 PCS	C Shelf  2 PCS
D Shelf Support  8 PCS	E Bolt 1/4" x 5/8"  12 PCS	F Spring Washer 1/4"  12 PCS
G Flat Washer 1/4"  12 PCS	H Allen Key M4  1 PC	I Long Screw 4 x 1-3/4" (Anti-Tipping Kit)  2 PCS
J Short Screw 4 x 5/8" (Anti-Tipping Kit)  2 PCS	K Metal Bracket 46 x 20mm (Anti-Tipping Kit)  2 PCS	L Restraint Strap 590mm (Anti-Tipping Kit)  1 PC

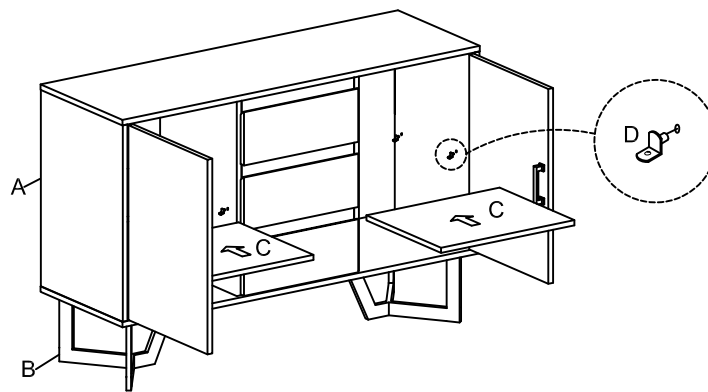


This page lists all the contents included in the box. Please take the time to identify the hardware as well as the individual components to this product. As you unpack and prepare for assembly, place the contents on a carpeted or padded area to protect them from damage.

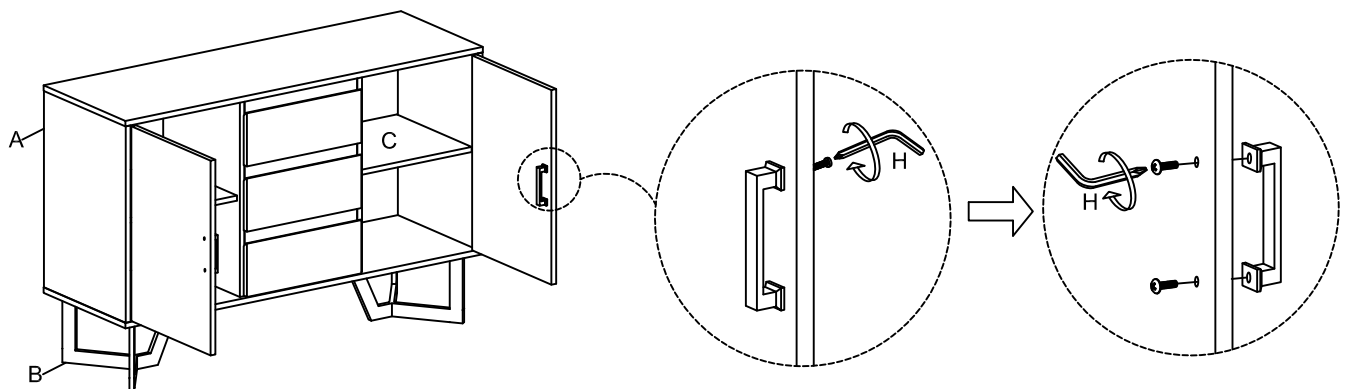
- 1** Attach Leg (B) to the bottom of Server (A) using Bolt (E), Spring Washer (F) and Flat Washer (G) with Allen Key (H).



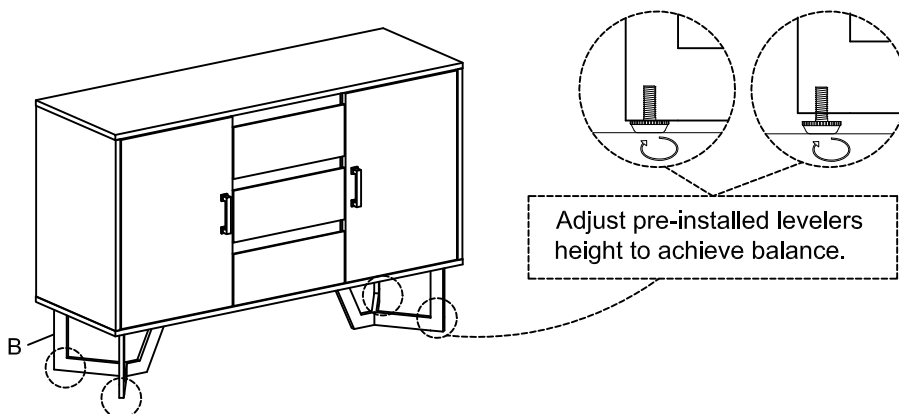
- 2** Stand the Server up. Insert Shelf Support (D) to the panels of Server, then place Shelf (C) onto the Shelf Support (D).



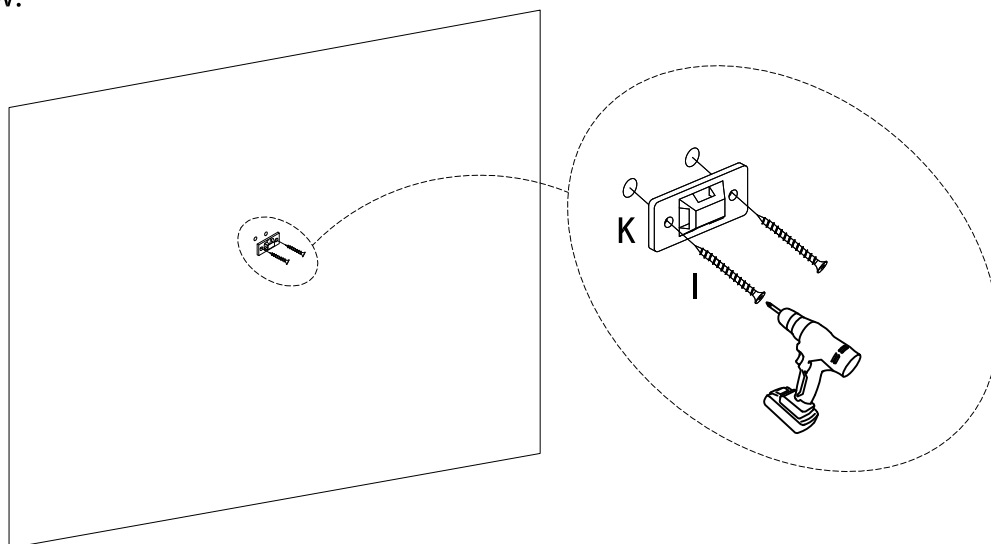
- 3** Unscrew the handle from inside of the door and lock on the front by Allen Key (H).



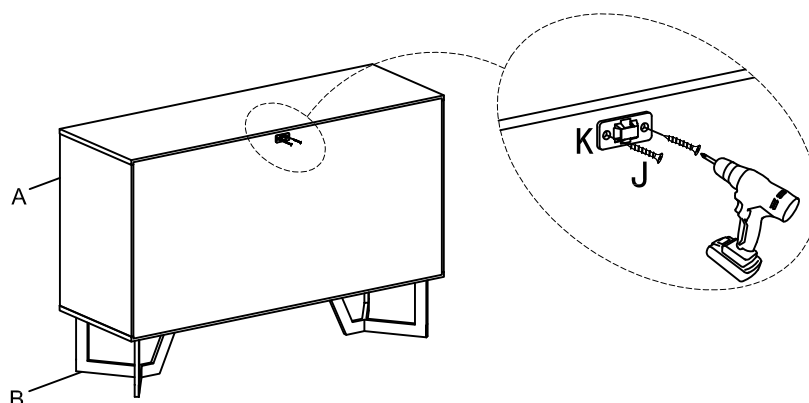
- 4** Adjust the pre-installed levelers at the bottom of Leg (B) until the Server is level with the ground.



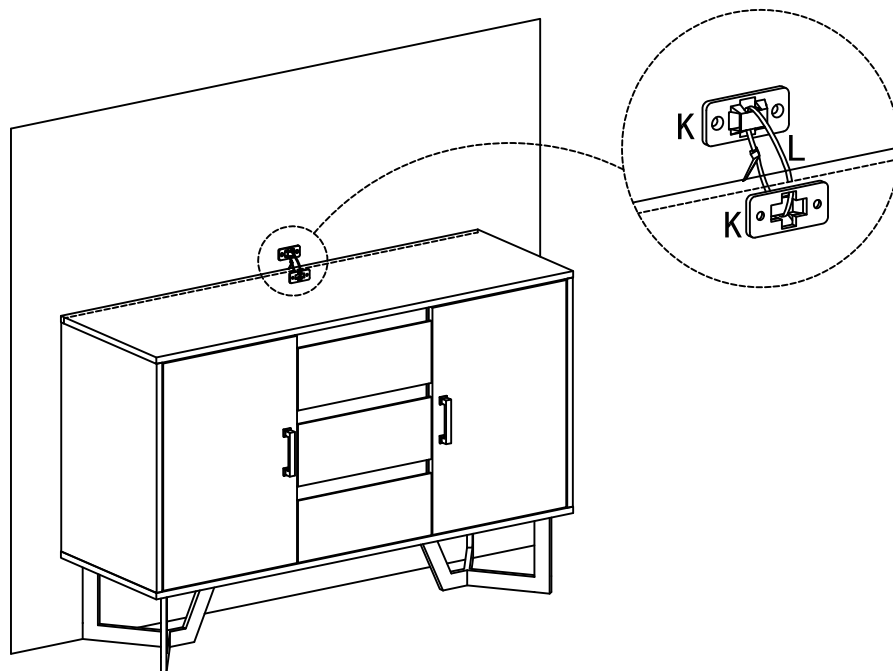
- 5** Fix Metal Bracket (K) on the wall using Long Screw (I) with Drill Bit (not provided) as shown below.



- 6** Attach the other Metal Bracket (K) to the back of Server (A) using Short Screw (J) with Drill Bit (not provided) as shown below.



-
- 7** Move the Server back against wall. Thread Restraint Strap (L) through both of Metal Bracket (K) and pull it tight.



Cleaning & Care

Treat surfaces with care. Surfaces are resistant to scratches but are not scratch resistant. Clean surfaces with a dry or damp soft cloth. Do not use abrasive cleaners. Hardware may loosen over time. Periodically check that all connections are tight.