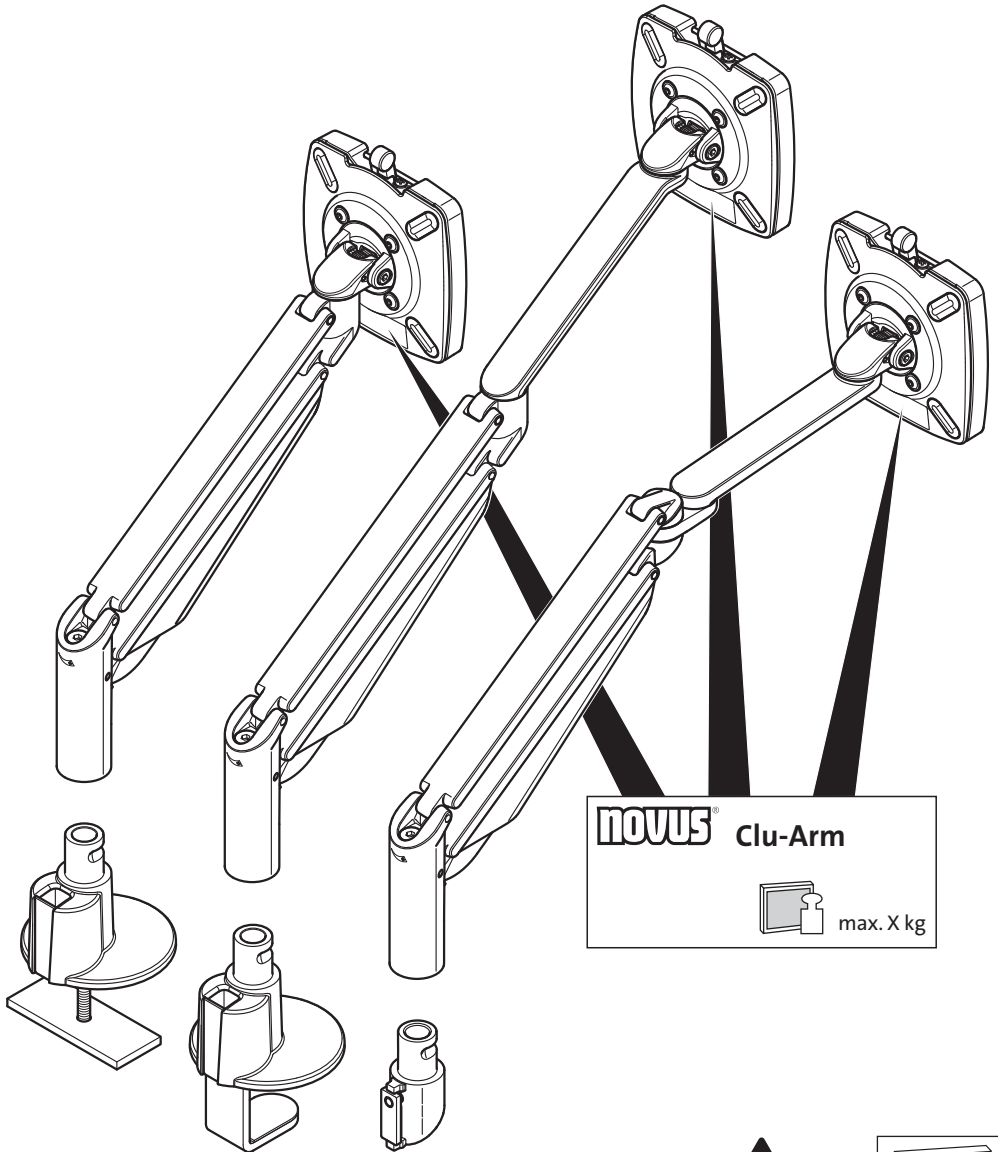




**NOVUS<sup>®</sup> Clu**

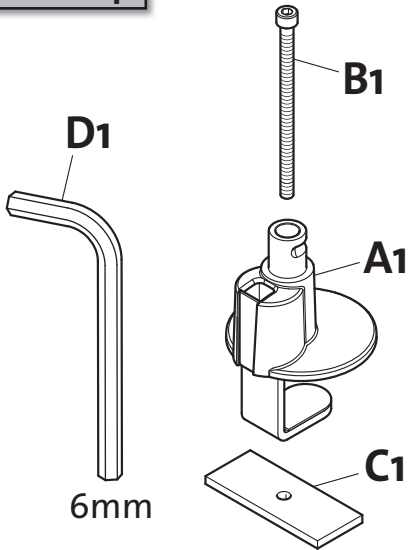


**NOVUS<sup>®</sup> Clu-Arm**

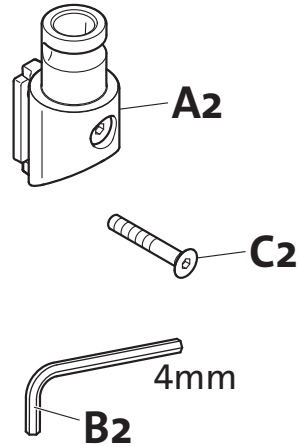




### Clu clamp



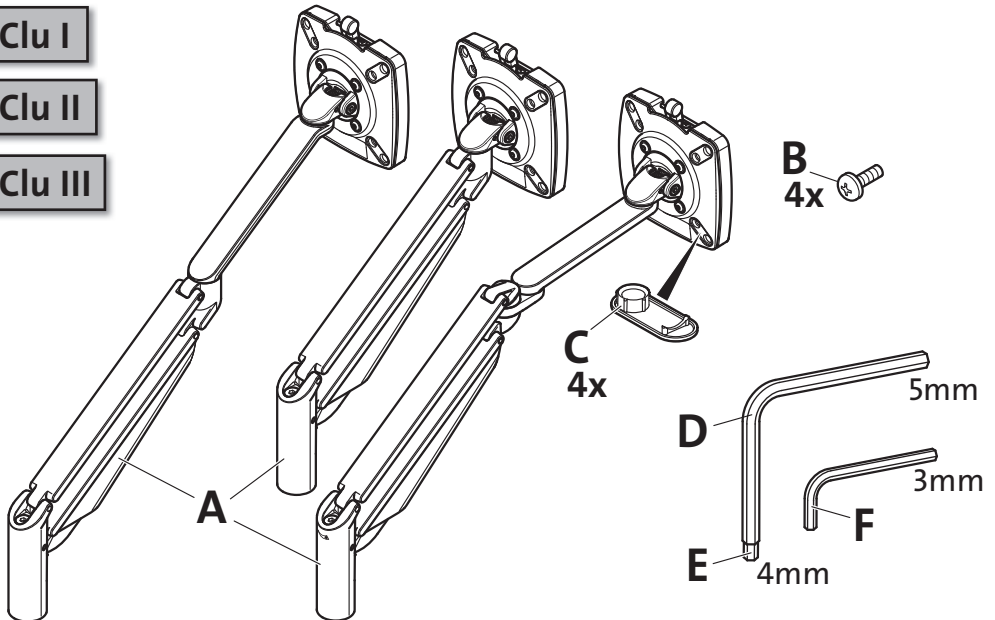
### Clu column adapter



### Clu I

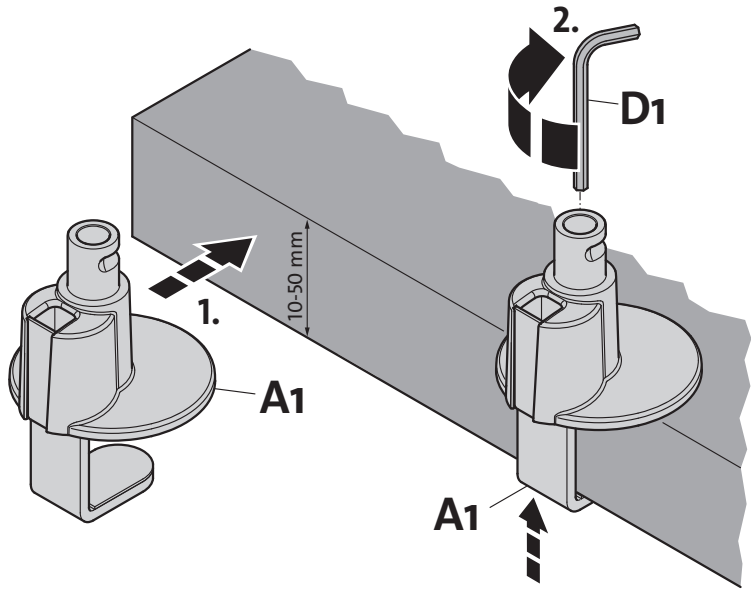
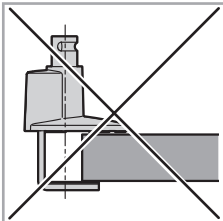
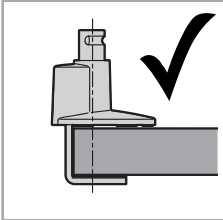
### Clu II

### Clu III

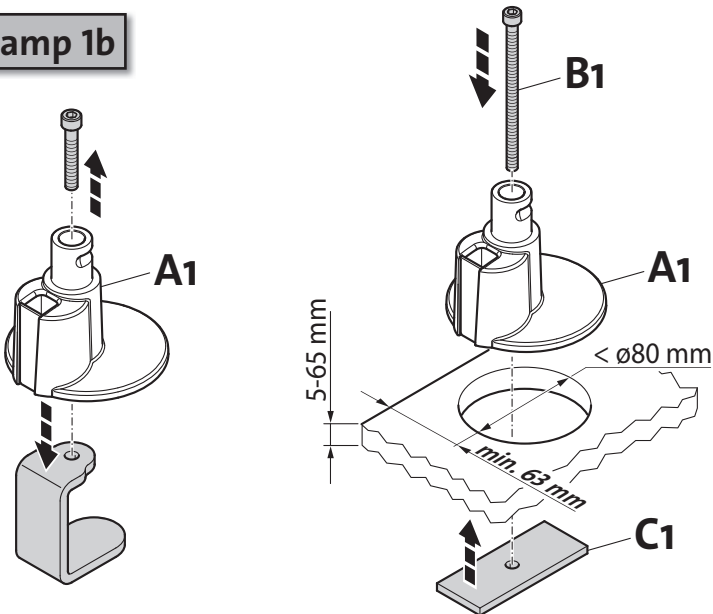




### Clu clamp 1a

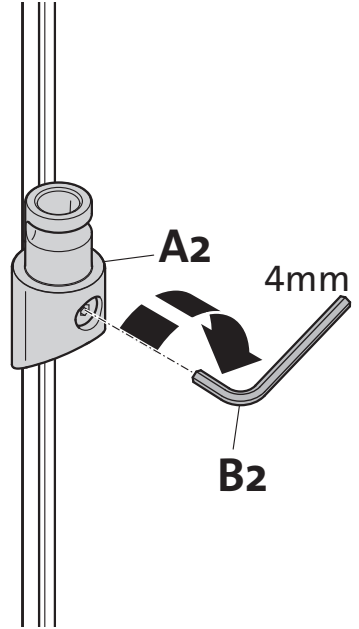
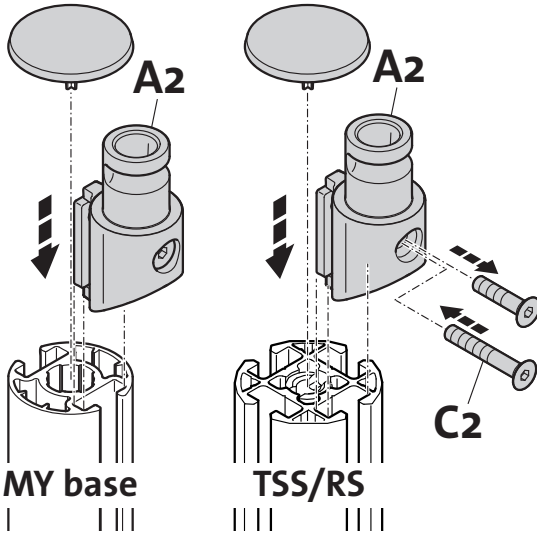


### Clu clamp 1b

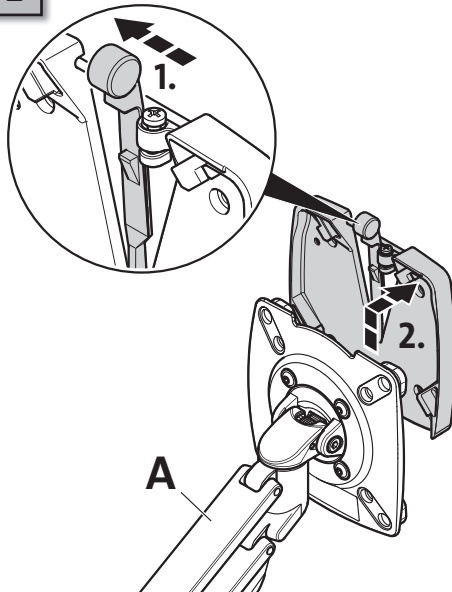




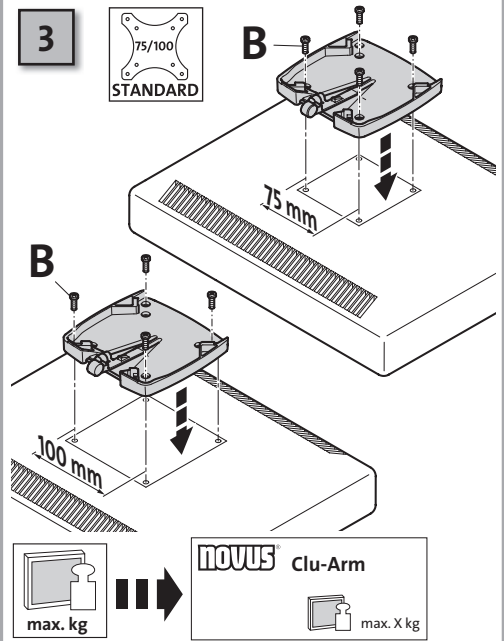
## Clu column adapter 1c

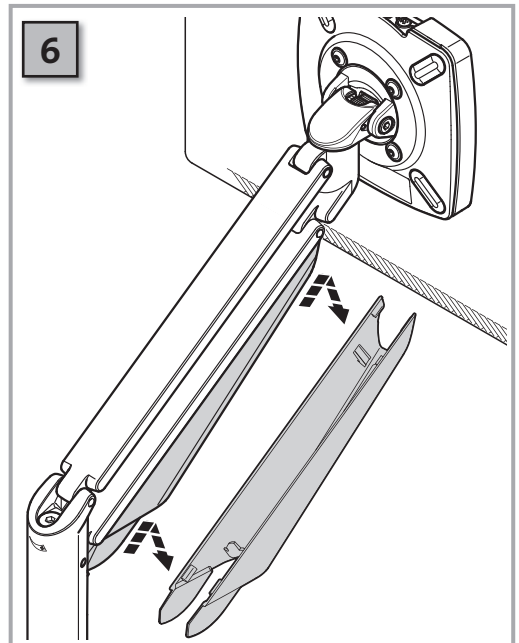
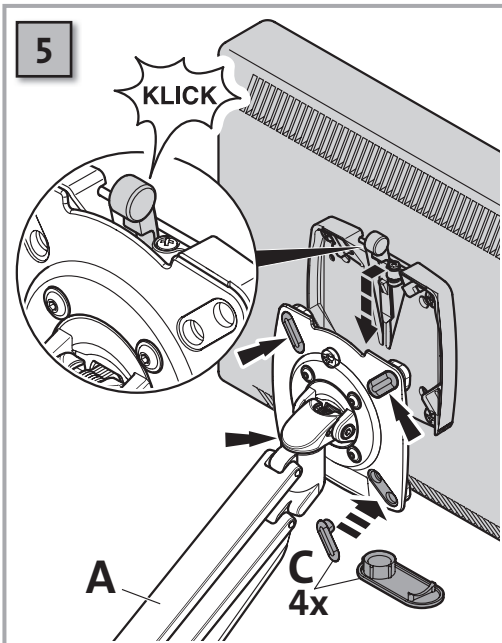
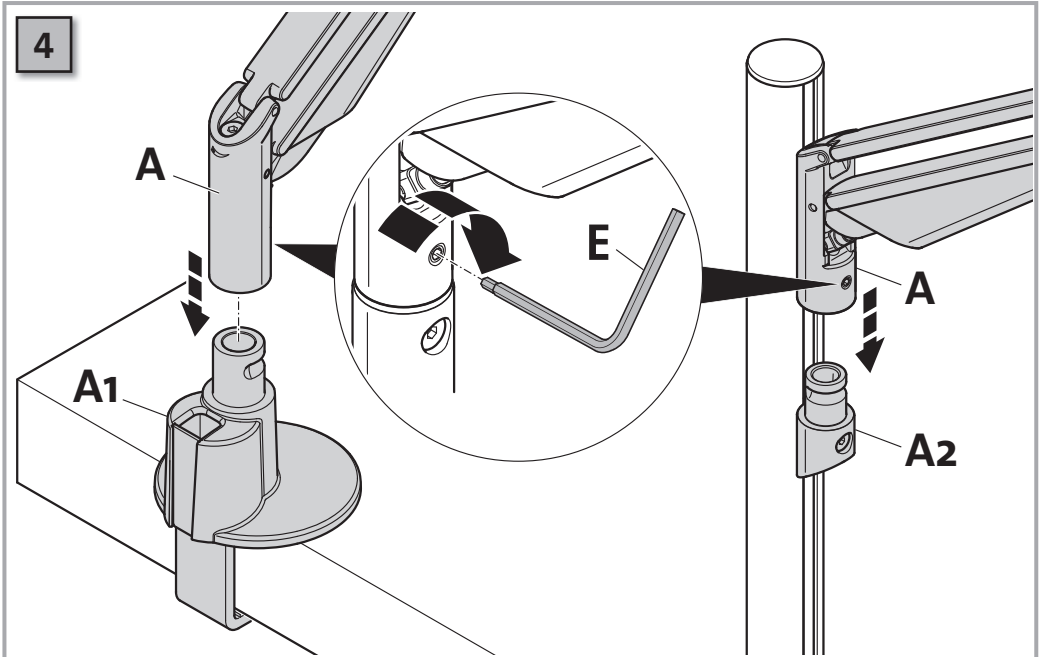


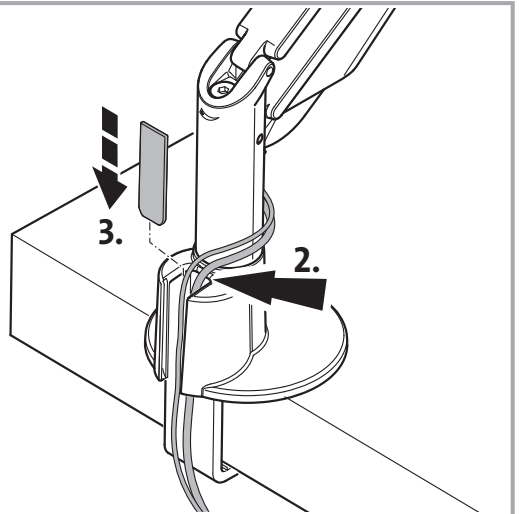
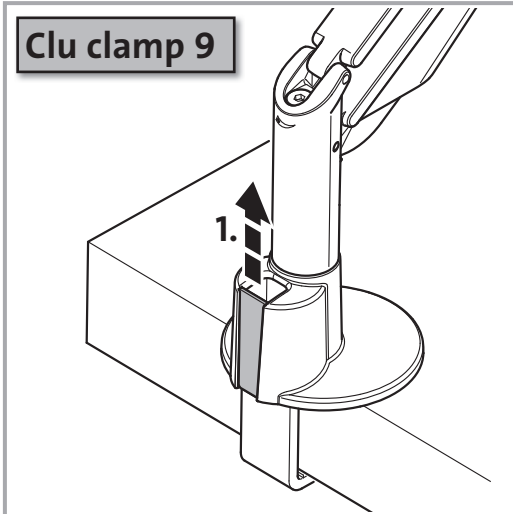
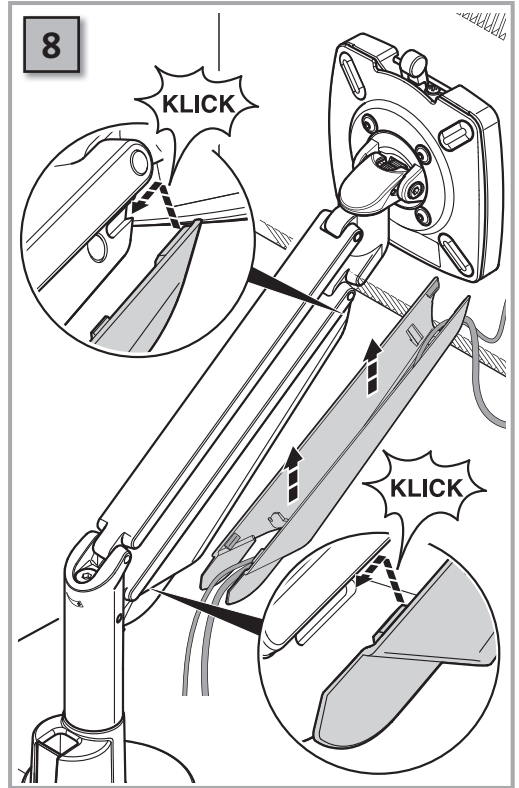
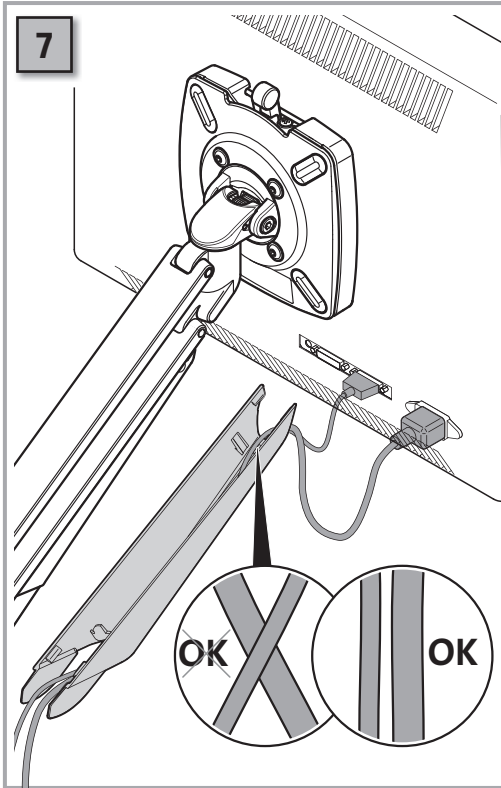
2

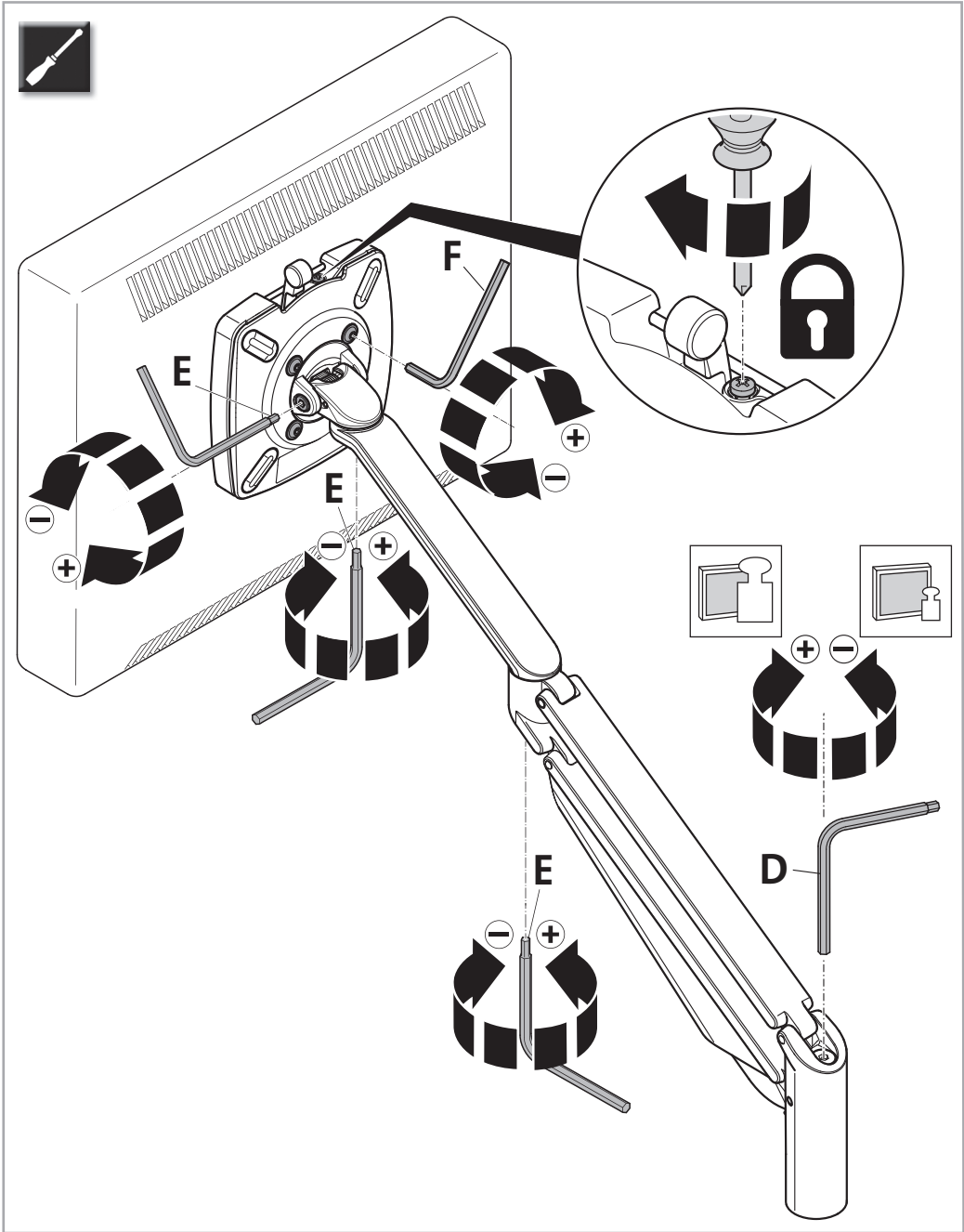


3









**NOVUS**<sup>®</sup>

Dahle North America, Inc.  
49 Vose Farm Road  
Peterborough, NH 03458  
Tel. (800) 995-1379  
info@novusmorespace.com



[www.novusmorespace.com](http://www.novusmorespace.com)