



BEST CHOICE
PRODUCTS



INSTRUCTION MANUAL

4-Piece Patio Set



**BEST CHOICE
PRODUCTS**

As shoppers, we're always trying to find the perfect balance between quality & value. At BCP, we believe we've achieved that. Our diverse catalog of everyday essentials is tailored especially to our customers & guaranteed to hit that sweet spot of high quality & low price.

— Always. —

! NOTICE

Please retain these instructions for future reference.

- Please do not exceed the weight limitations of this item.
- Do not stand on or use any part of this item as a step ladder.
- Firmly secure all bolts, screws and, knobs before use.
- Reconfirm that all bolts, screws, and knobs are secure every 90 days.
- Fasten screws loosely during initial assembly. Do not firmly tighten the screws until the item is completely assembled.
- Do not use or store this item in the proximity of open flame or flammable/combustible chemicals.
- Be aware that some parts are heavy and have sharp edges.
- If any parts are missing, broken, damaged, or worn, stop using this product until repairs are made and/or factory replacement parts are installed.
- Do not use this item in a way inconsistent with the manufacturer's instructions as this could void the product warranty.
- This product is intended for residential use only.

TOOLS REQUIRED



ALLEN WRENCH
(PROVIDED)



WRENCH
(PROVIDED)



250 LBS
CHAIR
CAPACITY



500 LBS
LOVESEAT
CAPACITY



50 LBS
TABLE
CAPACITY



1 PERSON
ASSEMBLY



UP TO 30 MIN.
ASSEMBLY

HARDWARE

1

M6 x 28mm
SCREW



12 PCS

2

M6 x 32mm
SCREW



24 PCS

3

M6 NUT



24 PCS

4

M6 WASHER



60 PCS

5

M6 NUT CAP



24 PCS

PARTS

A

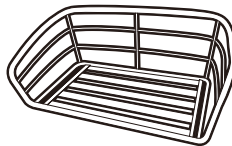
CHAIR FRAME



2 PCS

B

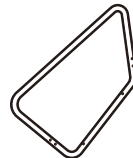
LOVESEAT FRAME



1 PC

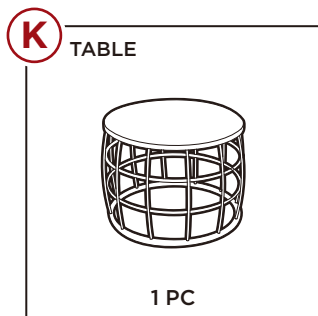
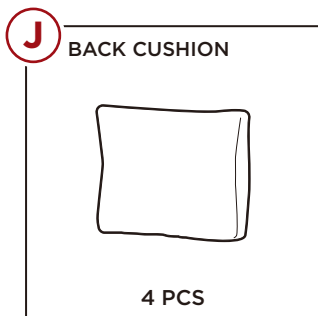
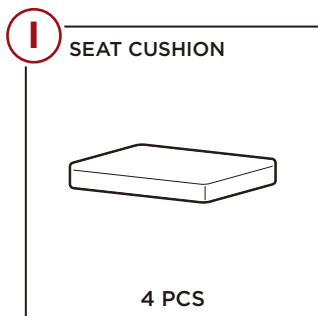
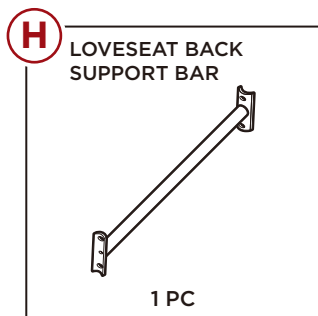
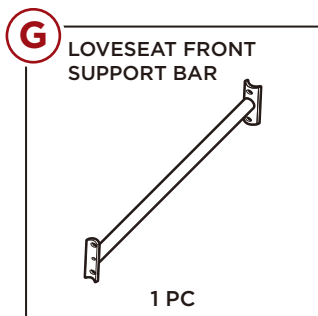
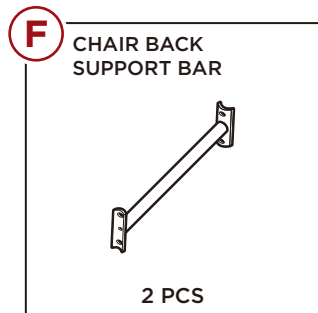
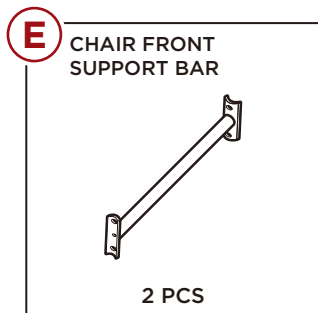
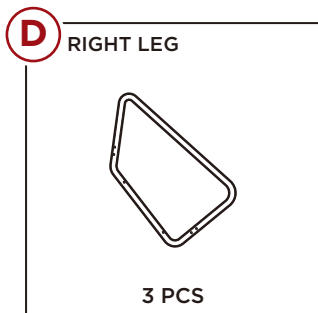
C

LEFT LEG



3 PCS

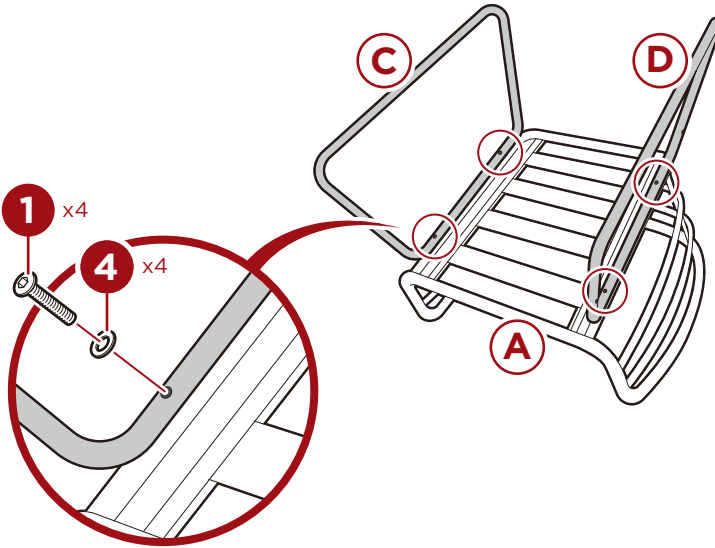
PARTS



CHAIR ASSEMBLY

1

Place one **part A chair frame** onto a flat surface, bottom side facing up, and attach one **part C left leg** and one **part D right leg** with four **part 1 screws** and four **part 4 washers**.

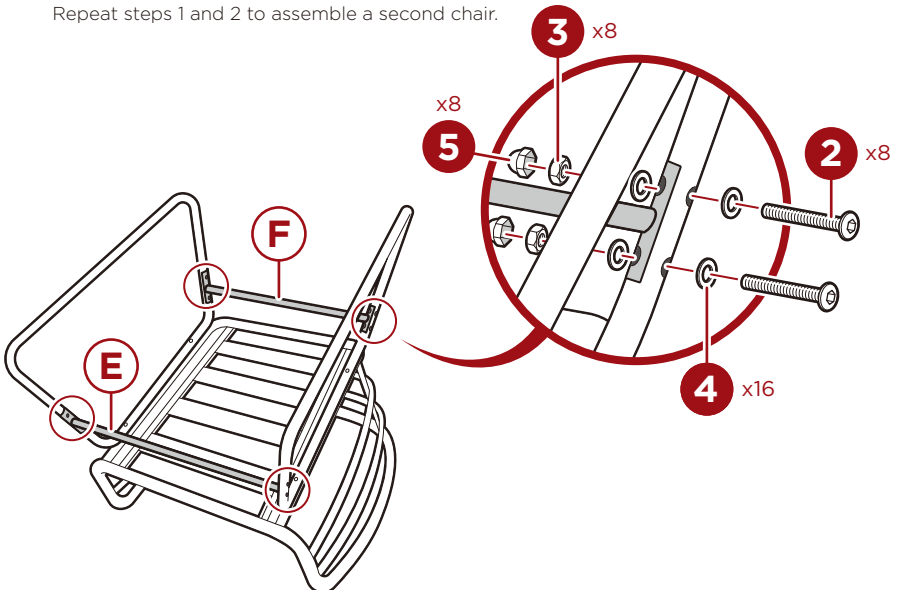


2

Attach one **part E front support bar** with four **part 2 screws**, eight **part 4 washers**, four **part 3 nuts**, and four **part 5 nut caps**.

Attach one **part F back support bar** with four **part 2 screws**, eight **part 4 washers**, four **part 3 nuts**, and four **part 5 nut caps**.

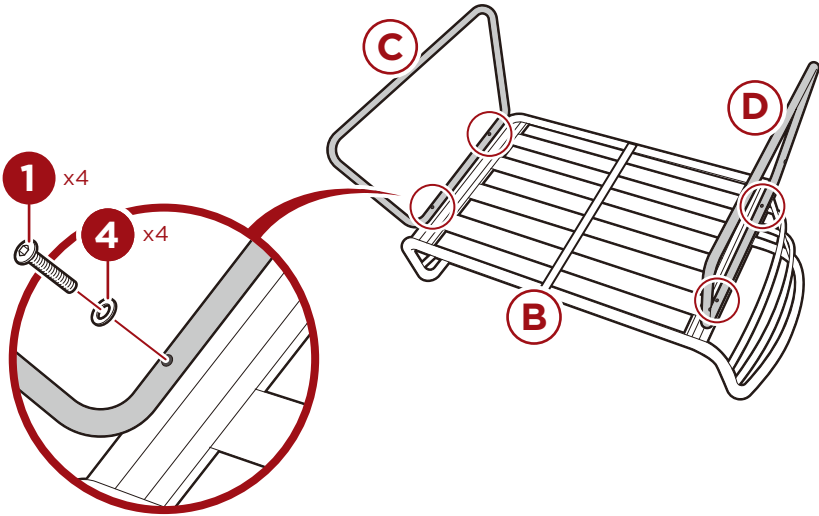
Repeat steps 1 and 2 to assemble a second chair.



LOVESEAT ASSEMBLY

1

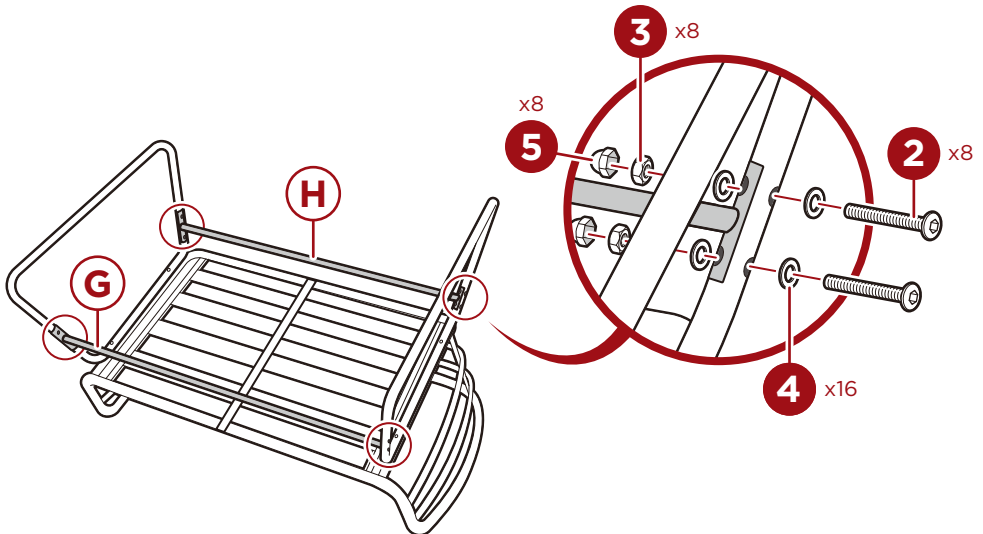
Place one **part B loveseat frame** onto a flat surface, bottom side facing up, and attach one **part C left leg** and one **part D right leg** with four **part 1 screws** and four **part 4 washers**.



2

Attach one **part G front support bar** with two **part 2 screws**, eight **part 4 washers**, four **part 3 nuts**, and four **part 5 nut caps**.

Attach one **part H back support bar** with two **part 2 screws**, eight **part 4 washers**, four **part 3 nuts**, and four **part 5 nut caps**.



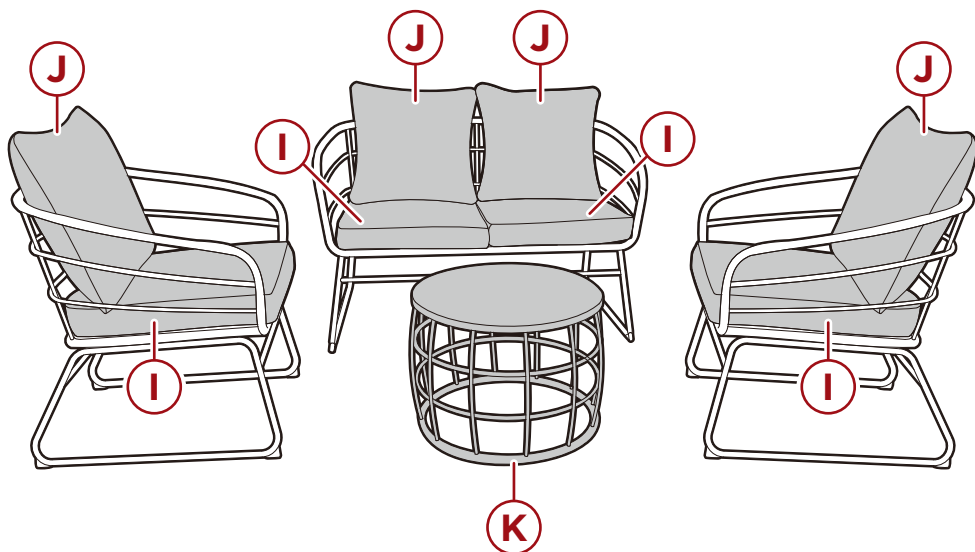
FINAL ASSEMBLY/SETUP

1

Place two **part I seat cushions** on the assembled loveseat, then place one **part I seat cushion** onto each of the assembled chairs.

Place two **part J back cushions** on the assembled loveseat, then place one **part J back cushion** onto each of the assembled chairs.

Arrange the assembled chairs and loveseat around the pre-assembled **part K table** and enjoy.





HELP CENTER



Question about your product? We're here to help. Visit us at:

help.bestchoiceproducts.com



Chat Support



Product Inquiry



Orders FAQ



Product Assembly



Returns & Refunds

PRODUCT WARRANTY INFORMATION

All items can be returned for any reason within 60 days of the receipt and will receive a full refund as long as the item is returned in its original product packaging and all accessories from its original shipment are included. All returned items will receive a full refund back to the original payment method. All returned items will not be charged a re-stocking fee.

All returned items require an RA (Return Authorization) number, which can only be provided by a Best Choice Products Customer Service Representative when the return request is submitted. Items received without an RA may not be accepted or may increase your return processing time. Once an item has been received by Best Choice Products, refunds or replacements will be processed within 5 business days.

All returns must be shipped back to the Best Choice Products Return Center at the customer's expense. If the reason for return is a result of an error by Best Choice Products then Best Choice Products will provide a pre-paid shipping label via email. Boxes for return shipping will not be provided by Best Choice Products, and is the customer's responsibility to either use the original shipping boxes or purchase new boxes.

Pictures may be required for some returns to ensure an item is not damaged prior to its return. Items returned are not considered undamaged until they are received by Best Choice Products and verified as such. All damages to items are the customer's responsibility until the item has been received by and acknowledge by Best Choice Products as undamaged.

WARNING

Manufacturer and seller expressly disclaim any and all liability for personal injury, property damage or loss, whether direct, indirect, or incidental, resulting from the incorrect attachment, improper use, inadequate maintenance, unapproved modification, or neglect of this product.