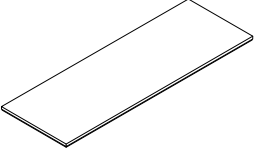
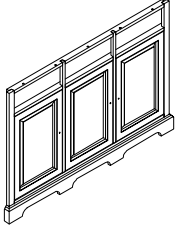
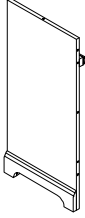
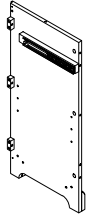
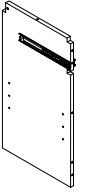
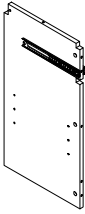
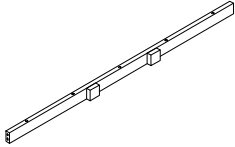
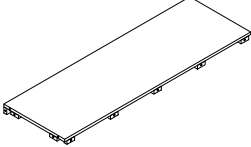
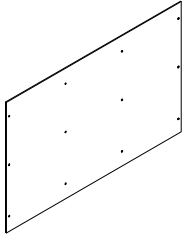
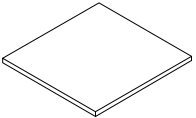
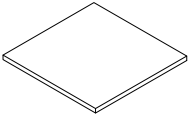
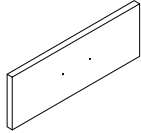
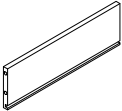
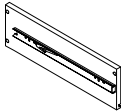
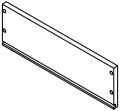
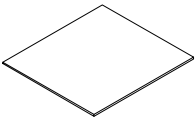


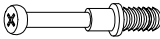



ASSEMBLY INSTRUCTIONS

SERVER

<p>A Top Panel</p>  <p>1 pc</p>	<p>B Front Frame</p>  <p>1 pc</p>	<p>C Side Panel (Left)</p>  <p>1 pc</p>	<p>D Side Panel (Right)</p>  <p>1 pc</p>	<p>E Center Panel (Left)</p>  <p>1 pc</p>
<p>F Center Panel (Right)</p>  <p>1 pc</p>	<p>G Back Top Rail</p>  <p>1 pc</p>	<p>H Bottom Panel</p>  <p>1 pc</p>	<p>I Back Panel</p>  <p>1 pc</p>	<p>J Side Shelf (Big)</p>  <p>2 pcs</p>
<p>K Center Shelf (Small)</p>  <p>1 pc</p>	<p>L Drawer Front Panel</p>  <p>3 pcs</p>	<p>M Drawer Back Panel</p>  <p>3 pcs</p>	<p>N Drawer Left Panel</p>  <p>3 pcs</p>	<p>O Drawer Right Panel</p>  <p>3 pcs</p>
<p>P Drawer Bottom Panel</p>  <p>3 pcs</p>	<p>Q Door Knob</p>  <p>3 pcs</p>	<p>R Drawer Knob</p>  <p>3 pcs</p>	<p>S Cam Bolt Ø7 x 34mm</p>  <p>16 pcs</p>	<p>T Cam Lock Ø15 x 9.5mm</p>  <p>16 pcs</p>

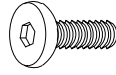
U	Wooden Dowel Ø8 x 30mm	V	Allen Bolt 1/4 x 12mm	W	Allen Bolt 1/4 x 25mm	X	Allen Bolt 1/4 x 30mm	Y	Allen Bolt 1/4 x 50mm
----------	---------------------------	----------	--------------------------	----------	--------------------------	----------	--------------------------	----------	--------------------------



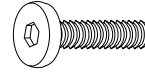
22 pcs



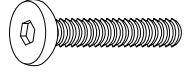
12 pcs



35 pcs

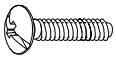


9 pcs



5 pcs

Z	TH Screw 5/32 x 25mm	AA	Allen Key M4	AB	Shelf Support	AC	Anti-Tip Kit
----------	-------------------------	-----------	-----------------	-----------	---------------	-----------	--------------



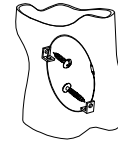
9 pcs



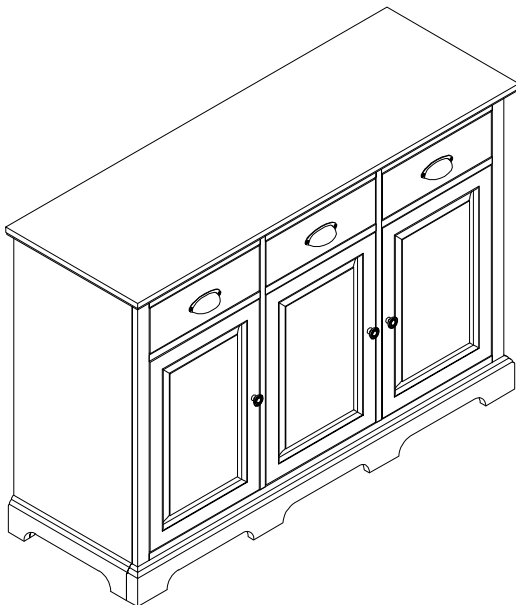
1pc



12 pcs



1 Set



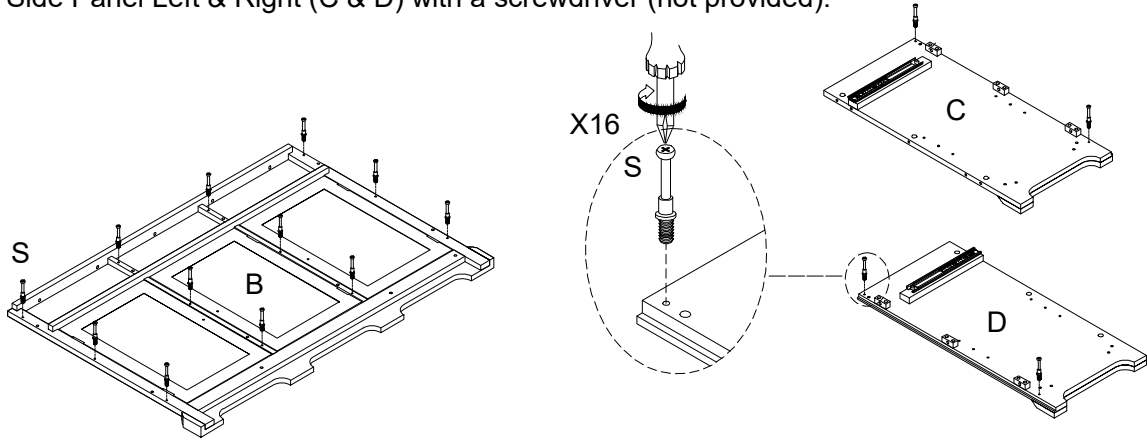
These pages list all the contents included in the box. Please take the time to identify the hardware as well as the individual components to this product. As you unpack and prepare for assembly, place the contents on a carpeted or padded area to protect them from damage.

IMPORTANT NOTE :

1. Do not tighten all screws / bolts until all completely assembled.
2. Keep all hardware parts out of reach of children.

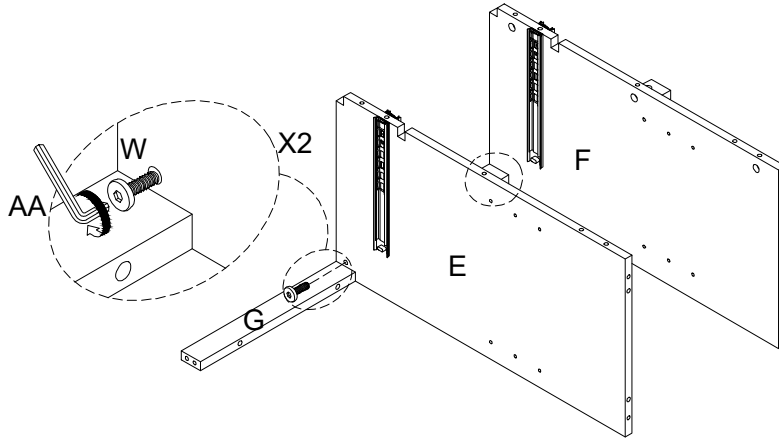
1

Prepare a piece of cloth to prevent from scratching. Insert Cam Bolt (S) into all E-Nut holes on the Front Frame (B) and Side Panel Left & Right (C & D) with a screwdriver (not provided).



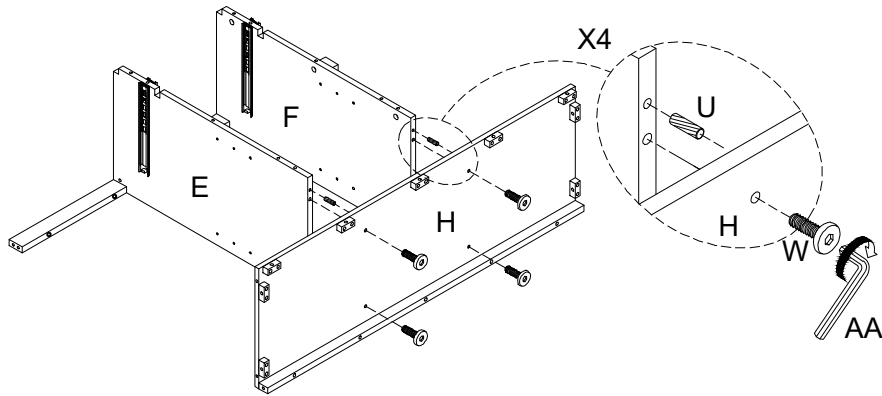
2

Attach the Center Panel (Left & Right) (E & F) to the Back Top Rail (G) using Allen Bolt (W) with Allen Key (AA).



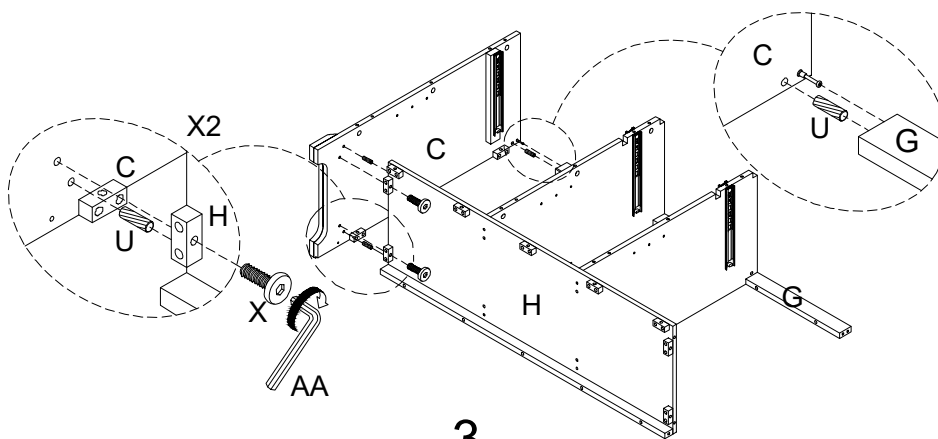
3

Insert Wooden Dowel (U) into the Center Panel (Left & Right) (E & F). Attach the Bottom Panel (H) to the Center Panel (Left & Right) (E & F) using Allen Bolt (W) with Allen Key (AA).



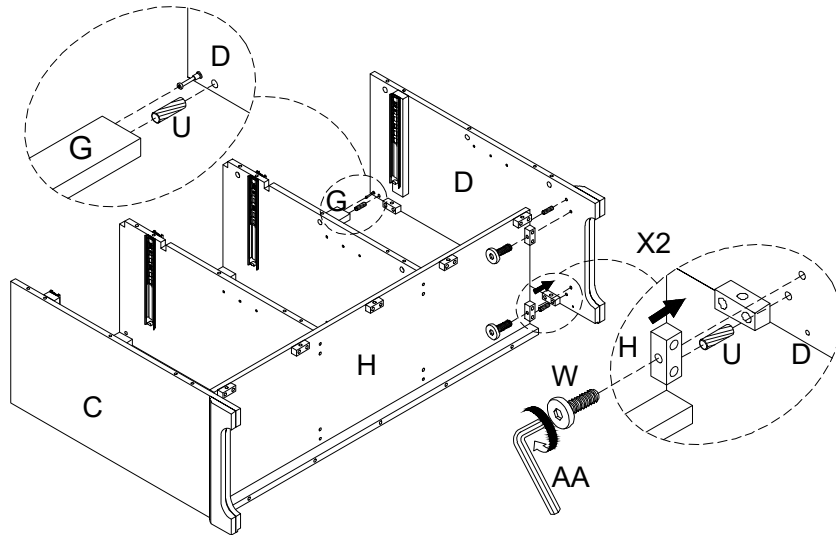
4

Insert Wooden Dowel (U) into the Back Top Rail (G) and Bottom Panel (H). Attach the Side Panel (Left) (C) to the Bottom Panel (H) using Allen Bolt (X) with Allen Key (AA).



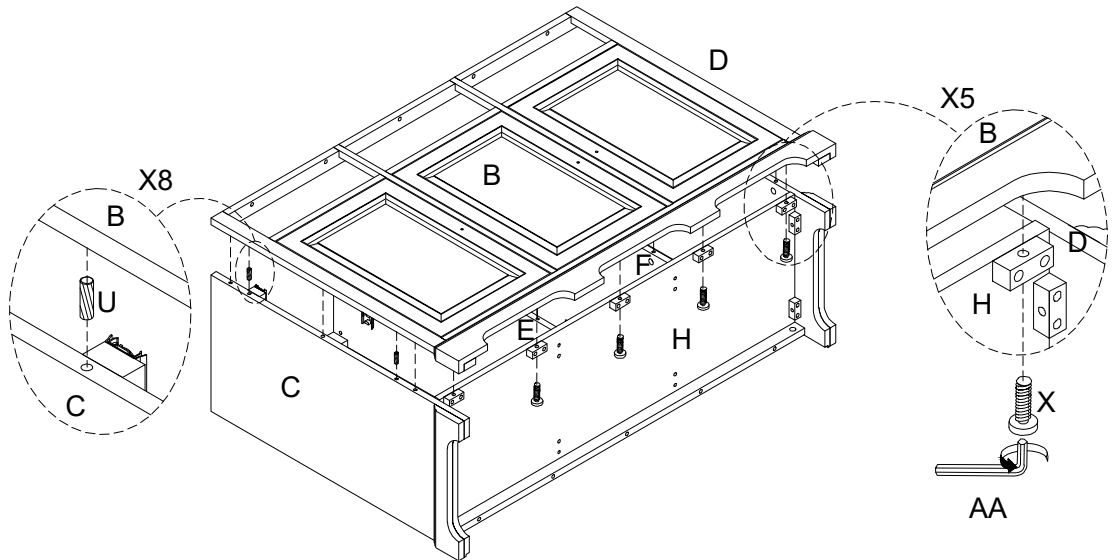
5

Insert Wooden Dowel (U) into the Back Top Rail (G) and Bottom Panel (H). Attach the Side Panel (Right) (D) to the Bottom Panel (H) using Allen Bolt (X) with Allen Key (AA).



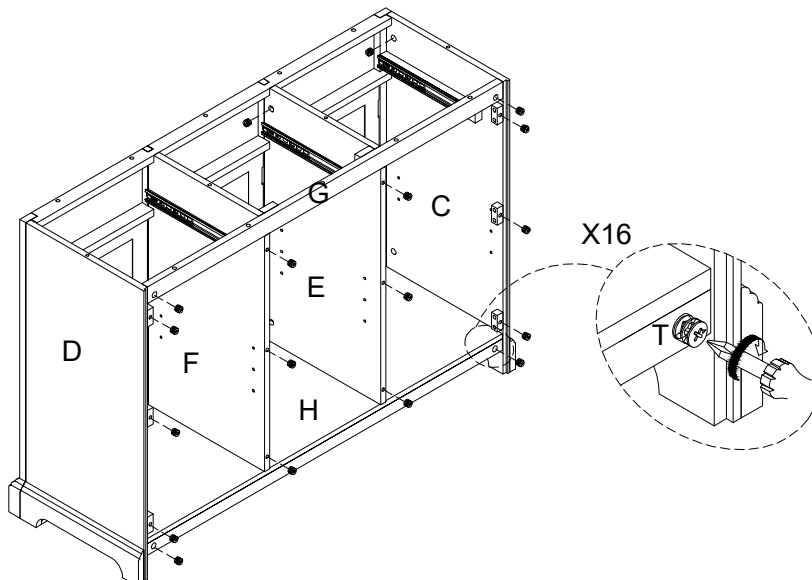
6

Insert Wooden Dowel (U) into the Side Panel (Left & Right) (C & D) and Center Panel (Left & Right) (E & F). Attach the Front Frame (B) to the assembled unit using Allen Bolt (X) with Allen Key (AA).



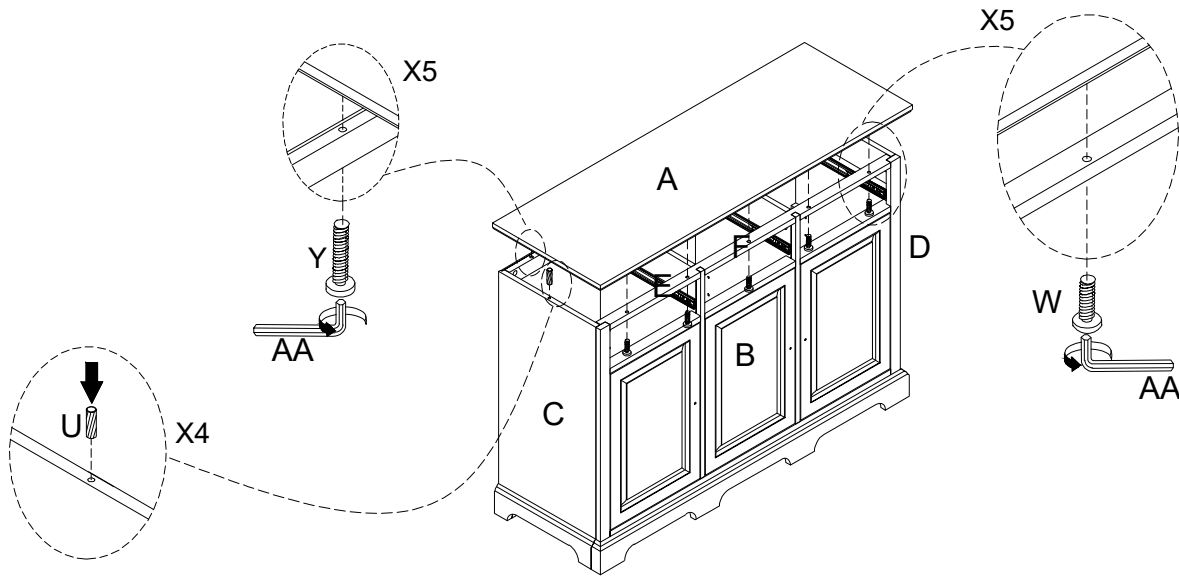
7

Stand the assembled unit upright and turn it to the back. Insert Cam Lock (T) into the back of the semi-assembled Server and follow the arrow to lock it with a screwdriver (not provided).



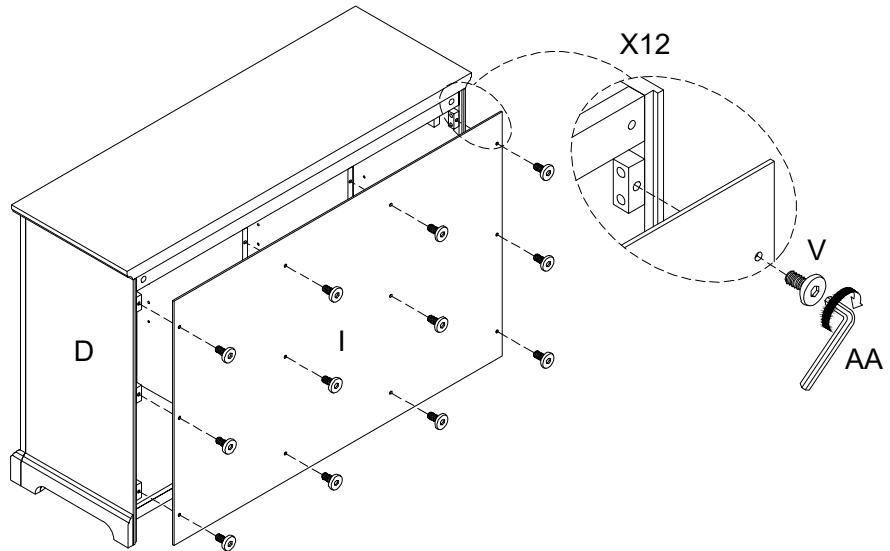
8

Insert Wooden Dowel (U) into the Side Panel (Left & Right) (C & D) and Center Panel (Left & Right) (E & F). Attach the Top Panel (A) to the Front Frame (B) using Allen Bolt (W), and to the Back Top Rail (G) using Allen Bolt (Y) with Allen Key (AA).



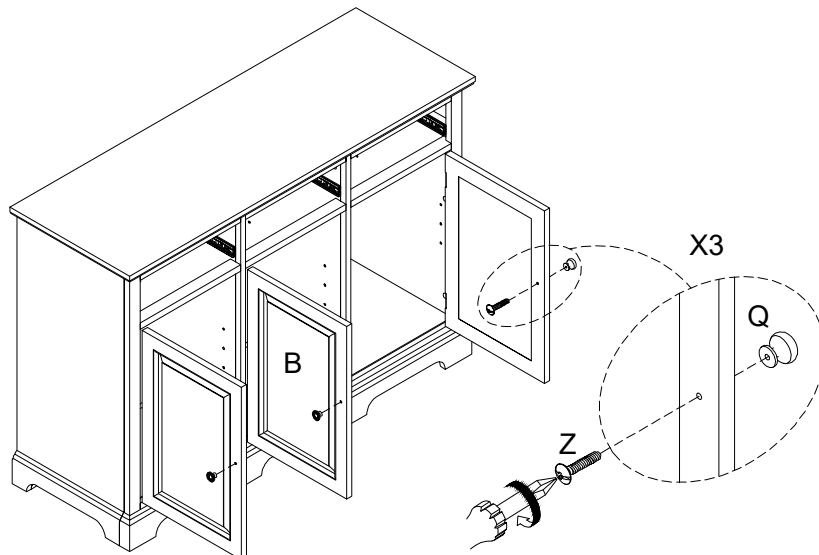
9

Attach the Back Panel (I) to the assembled unit using Allen Bolt (V) with Allen Key (AA).



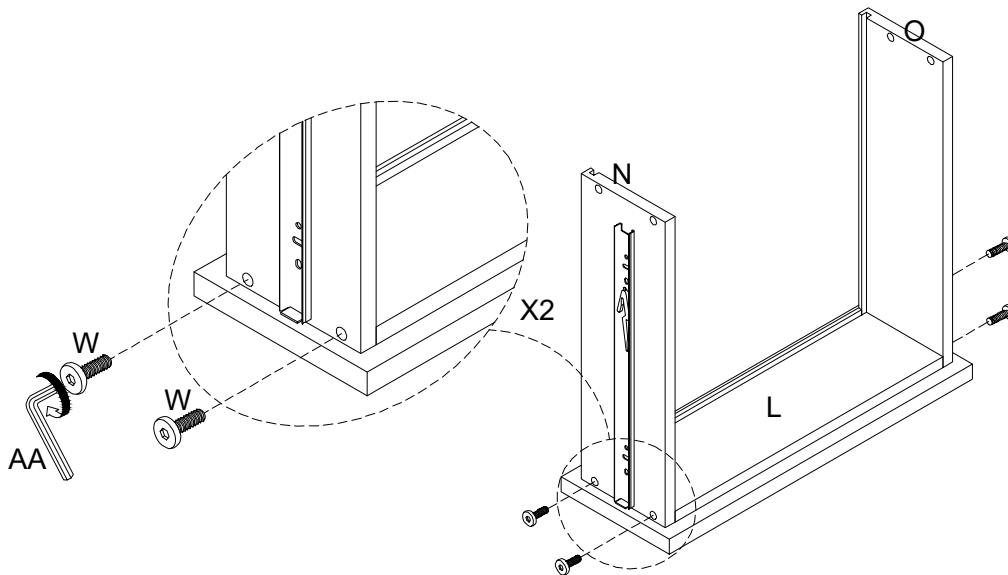
10

Attach the Door Knob (Q) to the Front Frame (B) using TH Screw (Z) with a screwdriver (not provided).



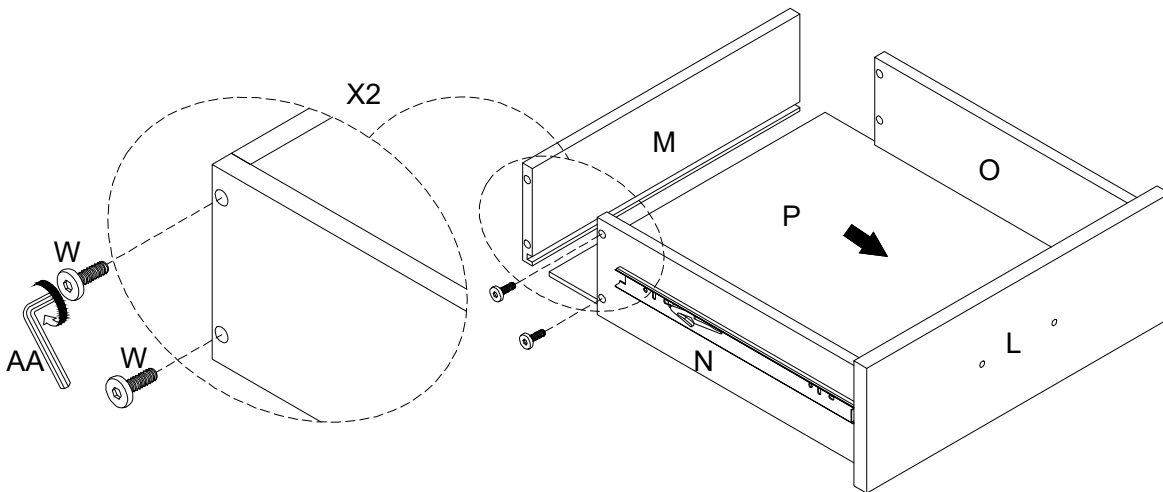
11 Attach the Drawer Left & Right Panel (N & O) to the Drawer Front Panel (L) using Allen Bolt (W) with Allen Key (AA).

X3



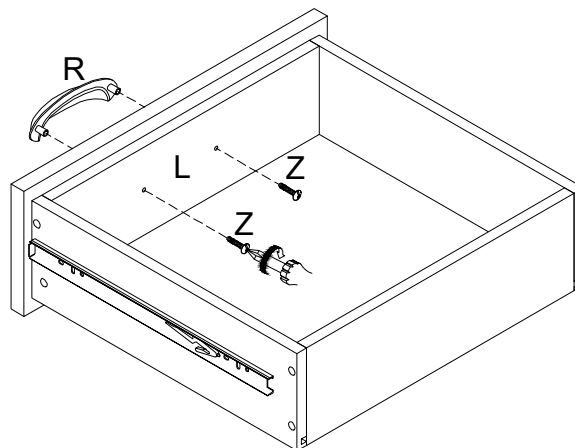
12 Insert the Drawer Bottom Panel (P) into the grooves of Drawer Left & Right Panel (N & O), and press it forward until fully seated in the grooves of the Drawer Front Panel (L). Then attach the Drawer Back Panel (M) to the Drawer Left & Right Panel (N & O) using Allen Bolt (W) with Allen Key (AA).

X3



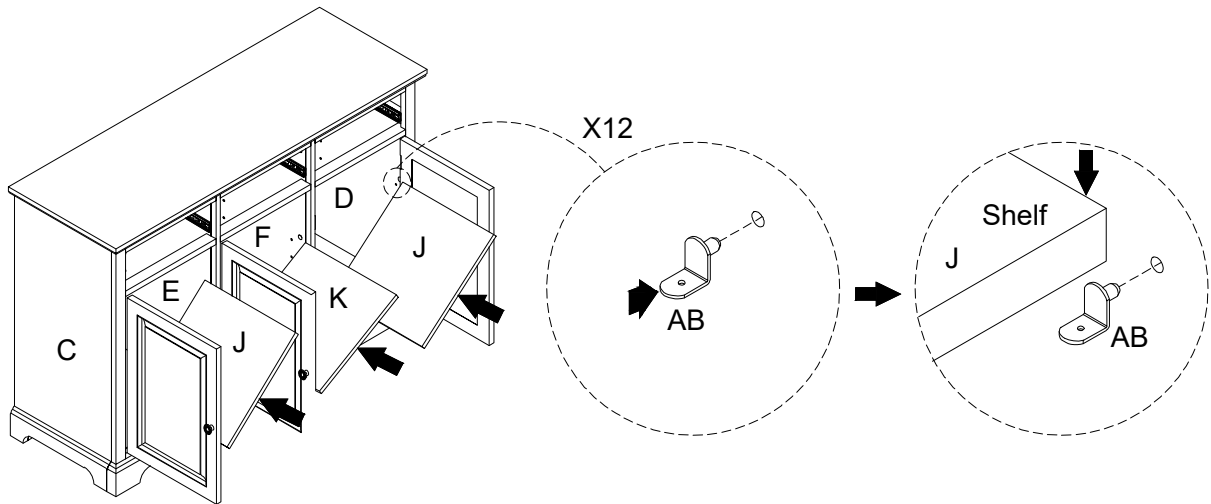
13 Attach the Drawer Knob (R) to the Drawer Front Panel (L) using TH Screw (Z) with a screwdriver (not provided).

X3



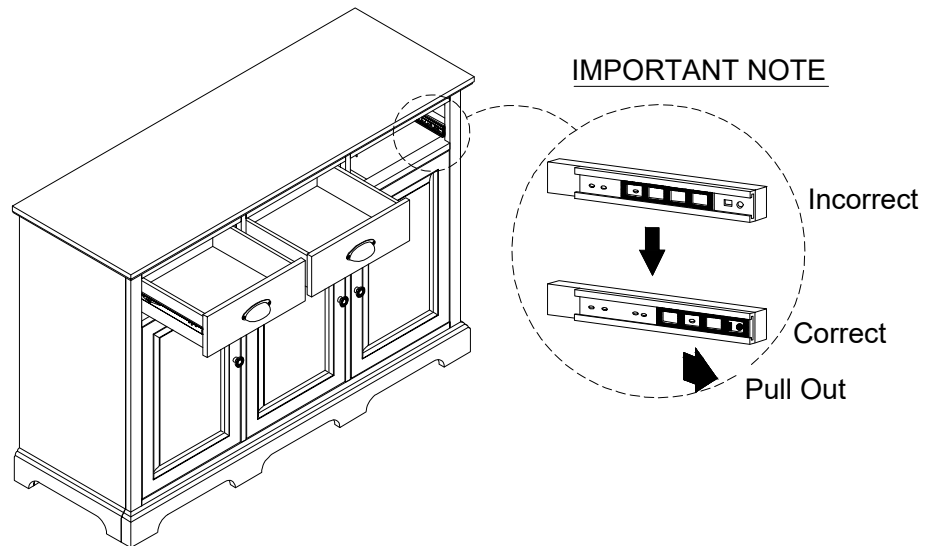
14

Insert Shelf Support (AB) onto the Side Panel (Left & Right) (C & D) and Center Panel (Left & Right) (E & F). Place the Side Shelf (Big) (J) and the Center Shelf (Small) (K) as shown.



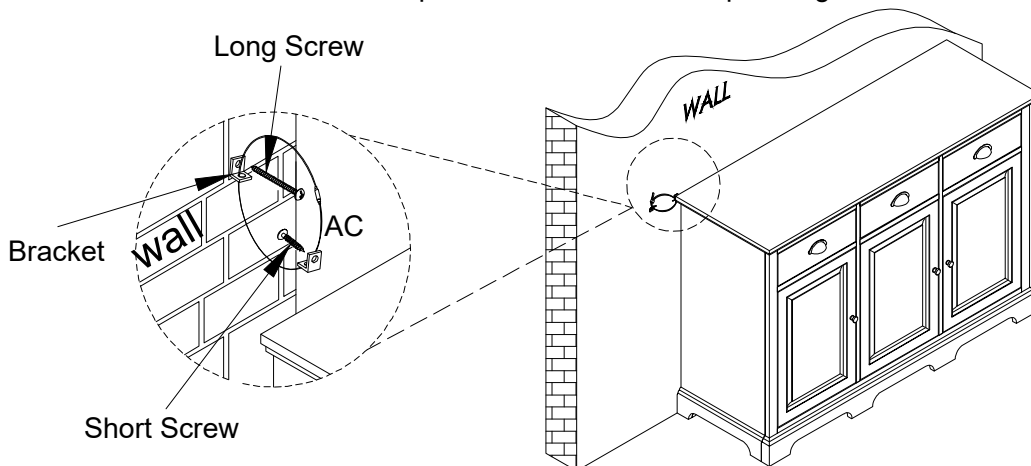
15

Pull out the drawer glide to the end and gently insert the drawers.



16

Attach the Anti-Tip Kit (AC) to the wall. Mount the Bracket vertically on the wall using the Long Screw. Then, secure the Bracket vertically on the furniture back below the top using the Short Screw. Place the Bracket as close to the center of the furniture back as possible, considering the wall stud and desired position in the room. Move the furniture to its final position. Thread the strap through the Bracket and pull it tight.



CLEANING & CARE

Treat surfaces with care. Surfaces are resistant to scratches but are not scratch resistant. Clean surfaces with a dry or damp soft cloth. Do not use abrasive cleaners. Hardware may loosen over time. Periodically check that all connections are tight.