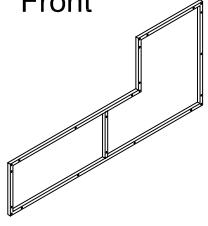
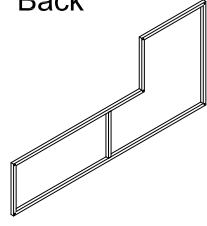
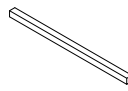
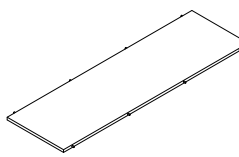
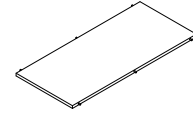
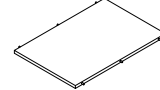
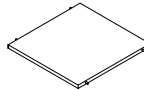
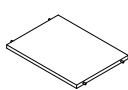
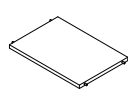


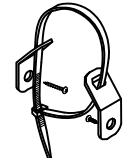
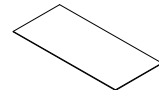
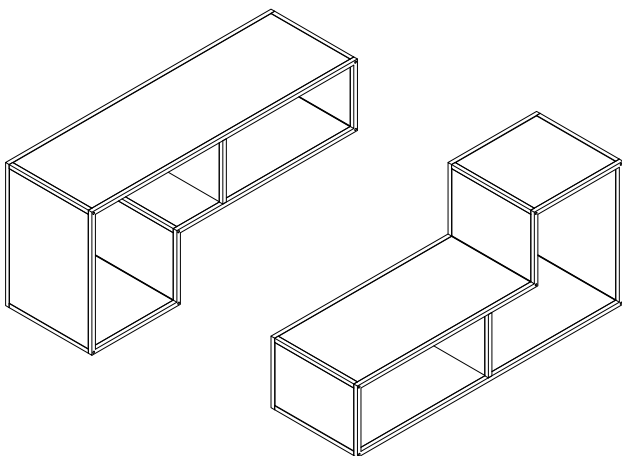


ASSEMBLY INSTRUCTIONS

TV STAND

A Side Frame - Front  2pcs	B Side Frame - Back  2pcs	C Cross Bar  12pcs	D Shelf Board D  2pcs	E Shelf Board E  2pcs
F Shelf Board F  2pcs	G Shelf Board G  2pcs	H Shelf Board H  2pcs	I Shelf Board I  4pcs	J Bolt $\phi 1/4" \times 1-1/4"$  24pcs
K Allen Key 4 x 22 x 60mm  1pc	L Anti-Tip Kit  2sets	M Flannel Patch  8pcs		



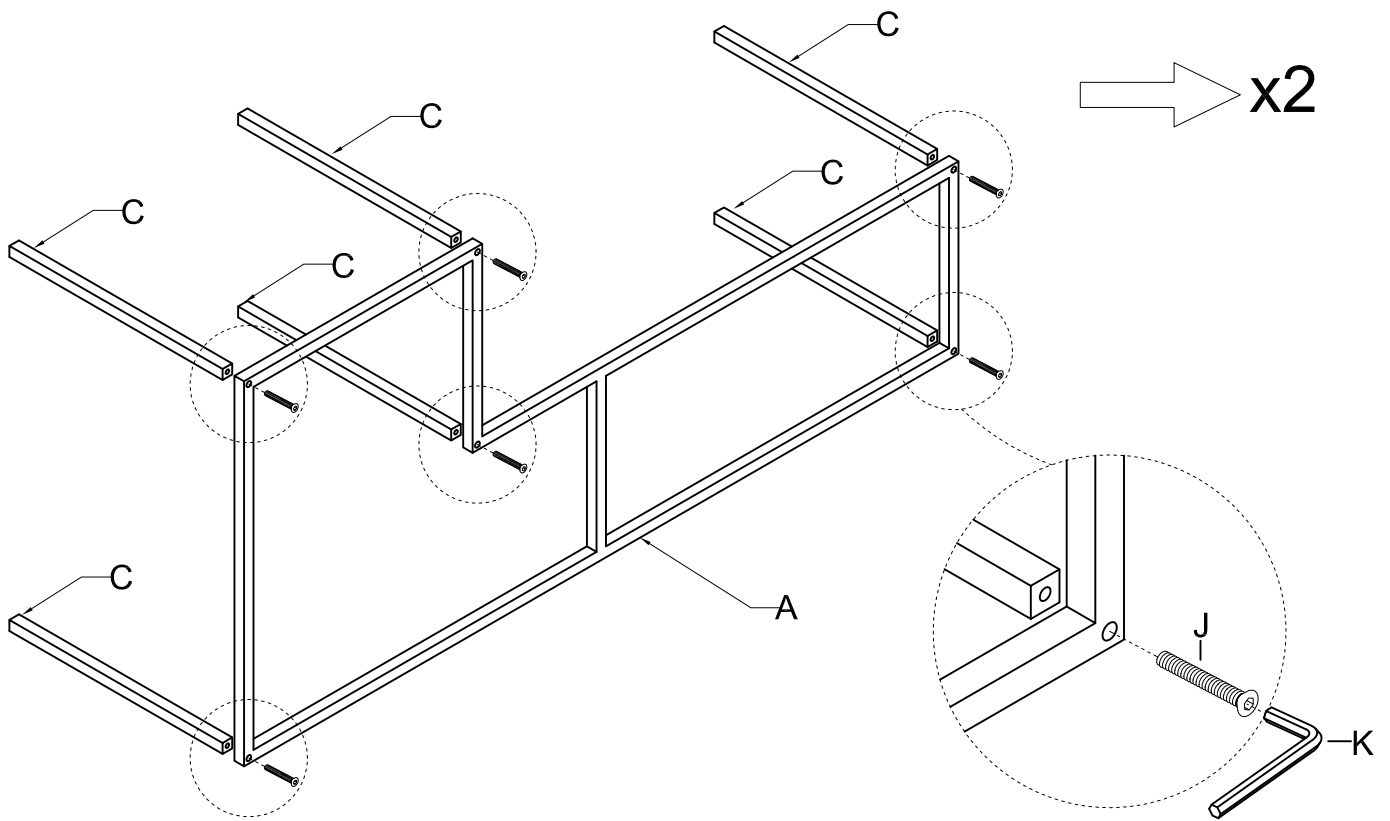
This page lists all the contents included in the box. Please take the time to identify the hardware as well as the individual components to this product. As you unpack and prepare for assembly, place the contents on a carpeted or padded area to protect them from damage.

Note:

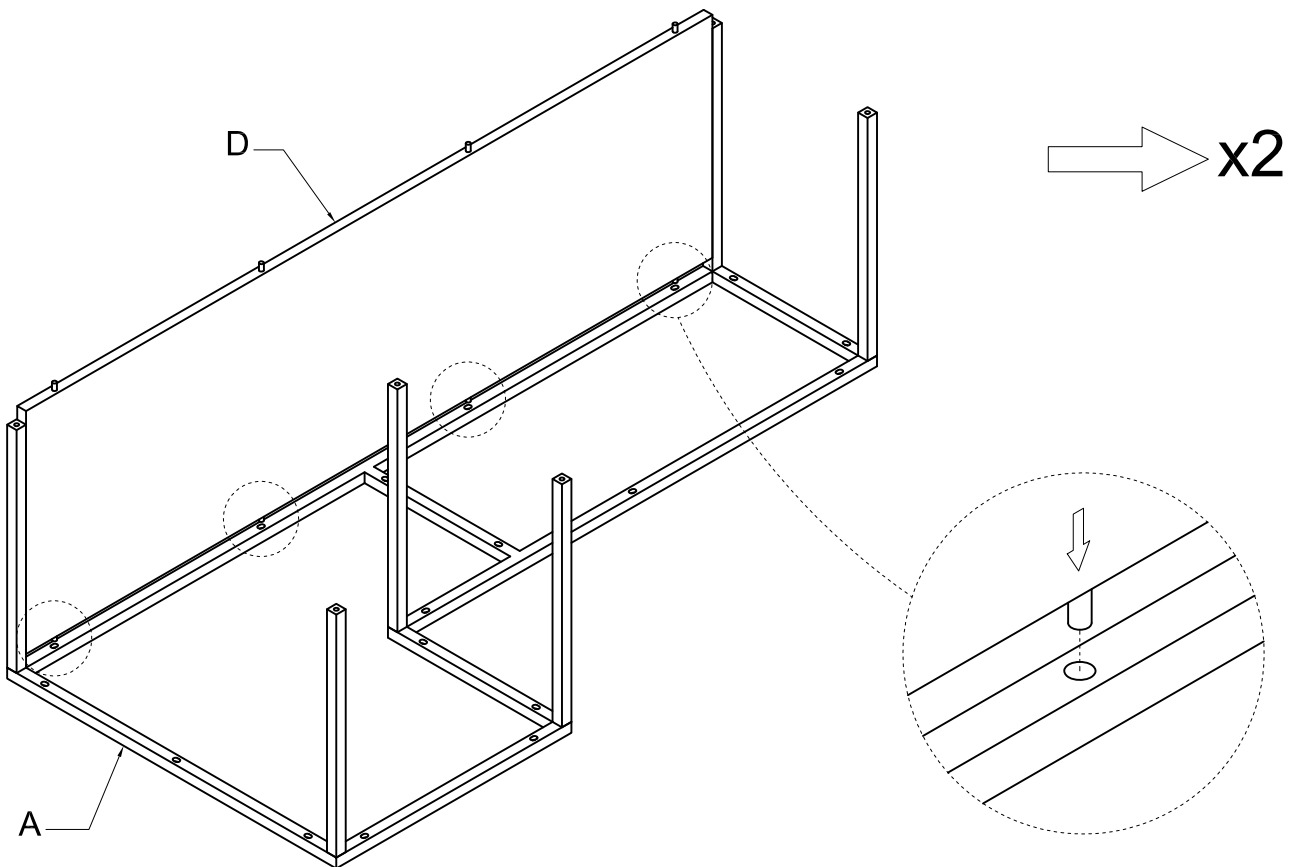
Do not fully tighten all bolts until the assembly is completed. This will help all parts to be assembled properly.

Two people are needed for assembly.

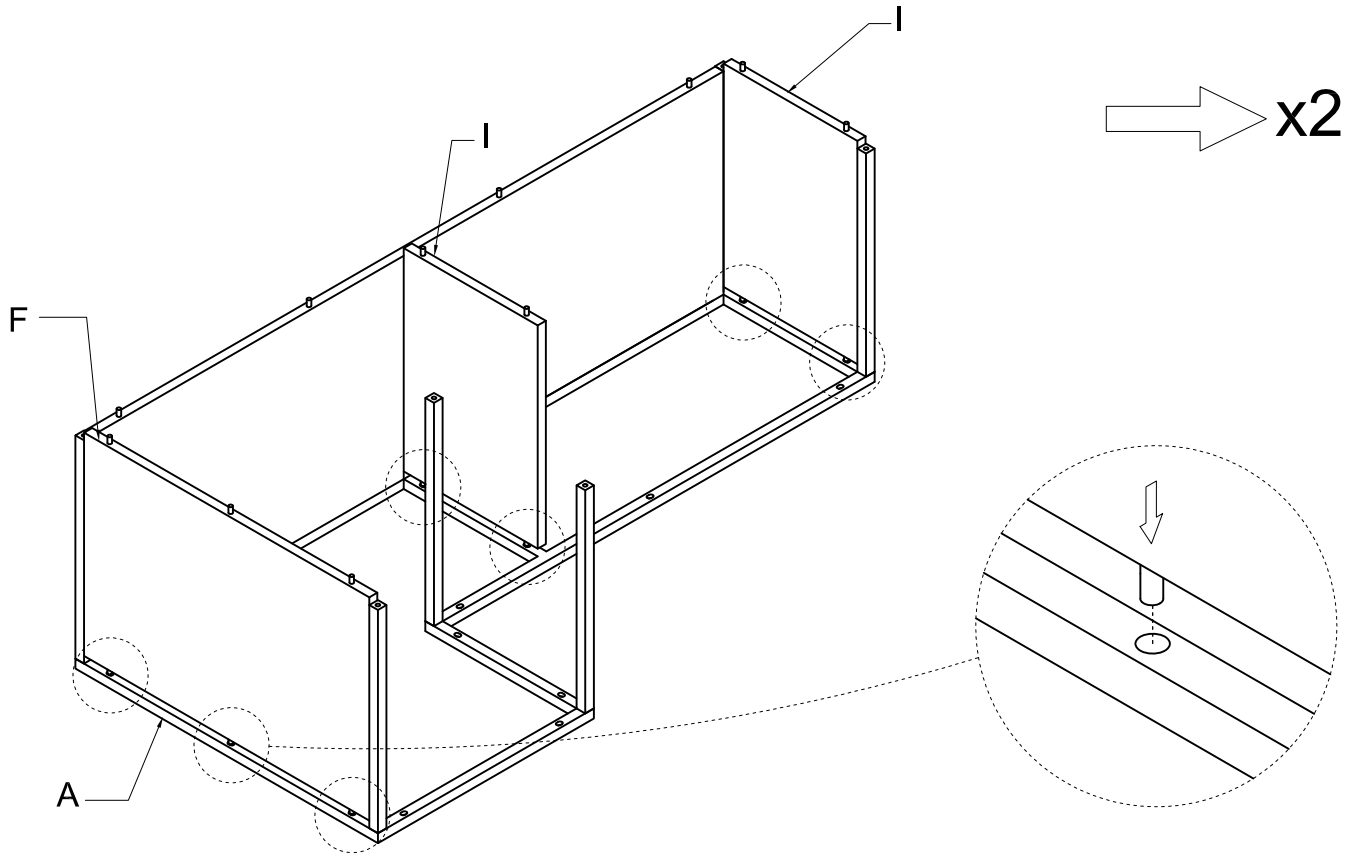
1 Attach the Cross Bar (C) to the Side Frame - Front (A) using Bolt (J) with the Allen Key (K).



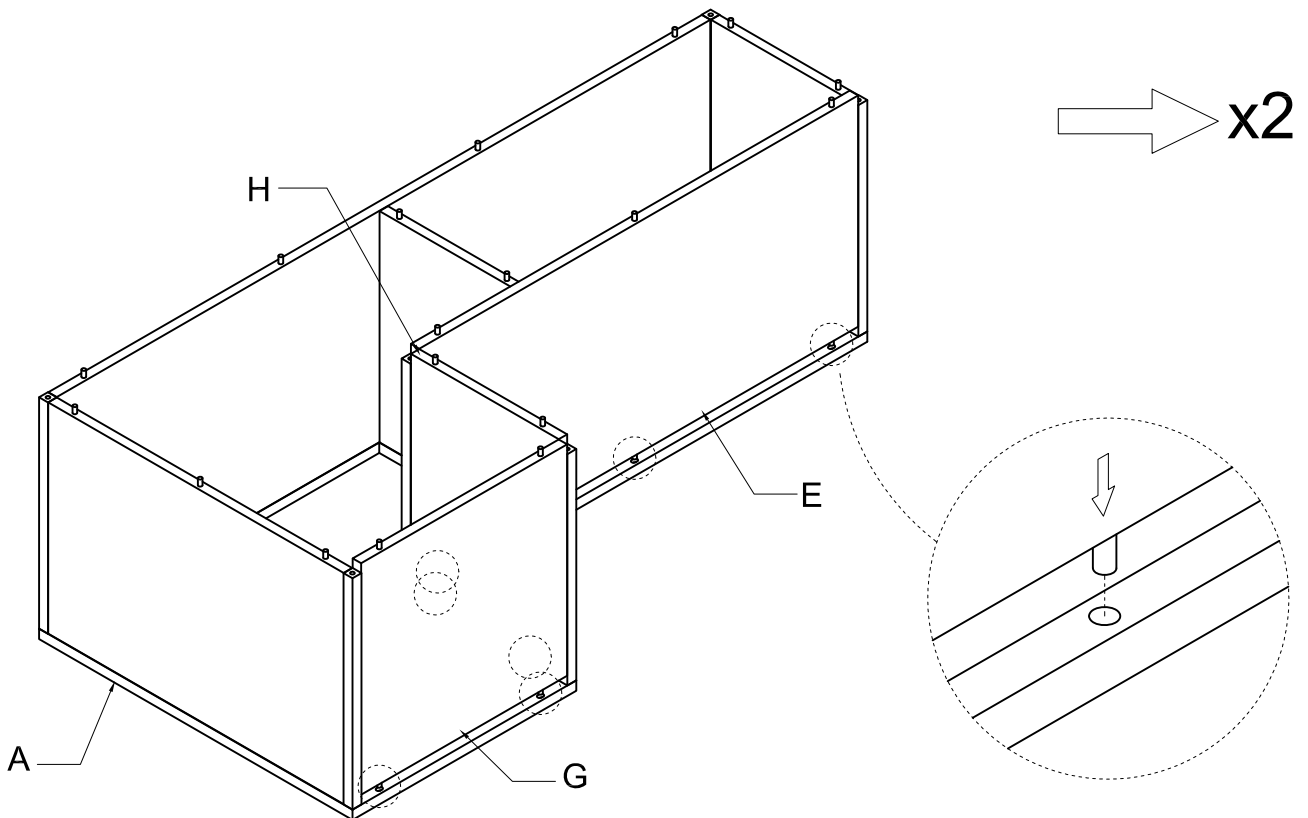
2 Attach the Shelf Board (D) to the Side Frame - Front (A).



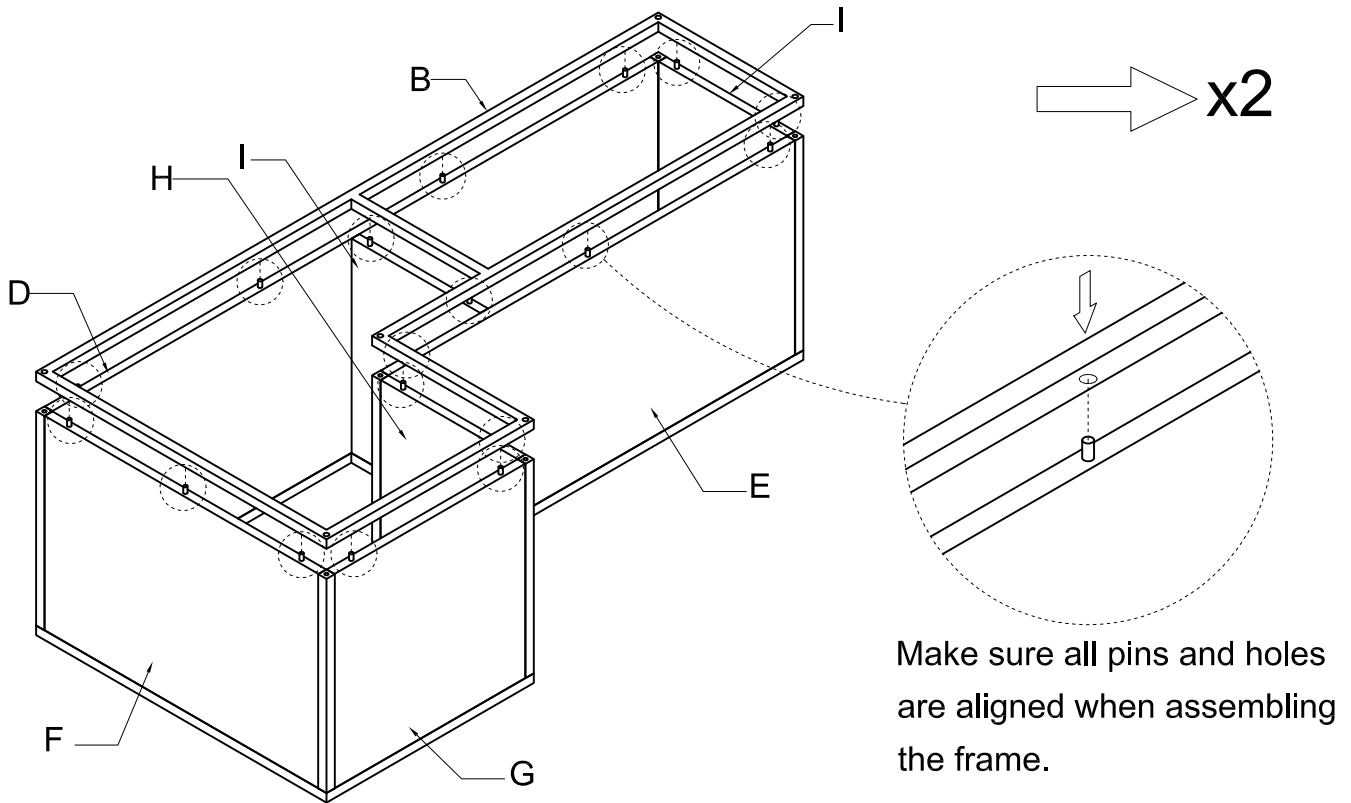
3 Attach the Shelf Board (F & I) to the Side Frame - Front (A).



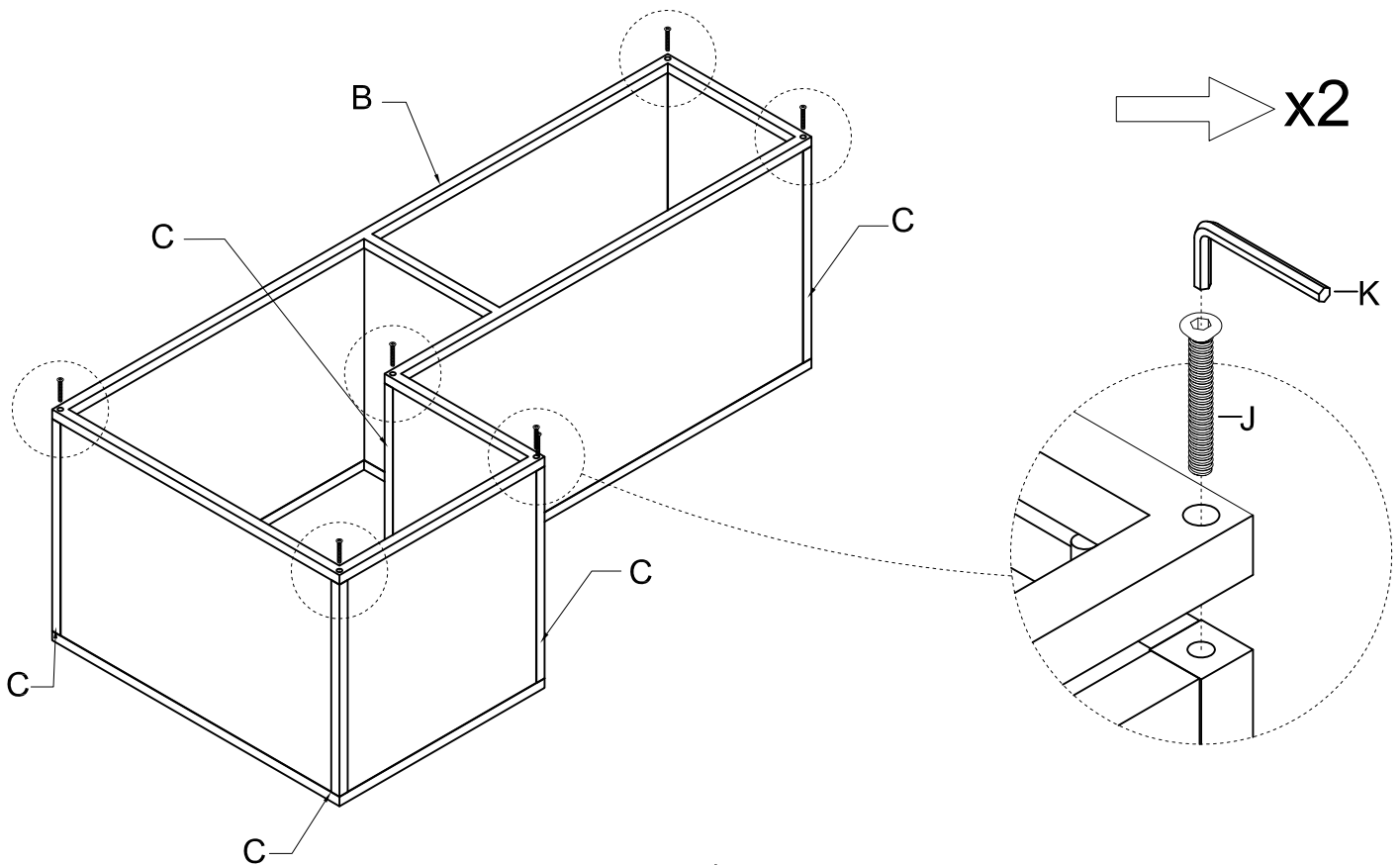
4 Attach the Shelf Board (E, G, H) to the Side Frame - Front (A).



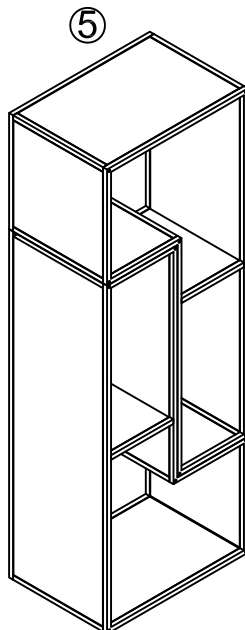
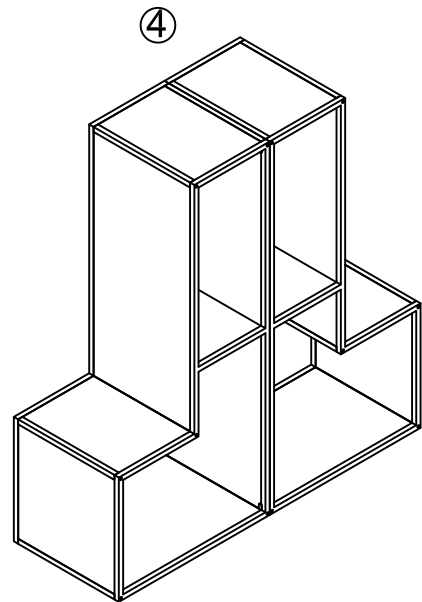
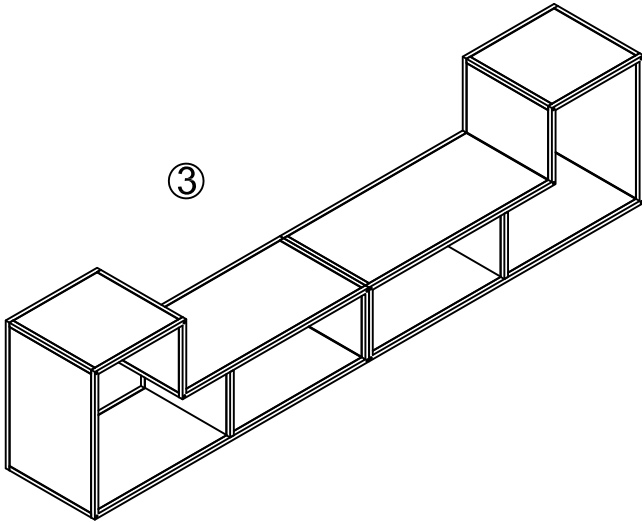
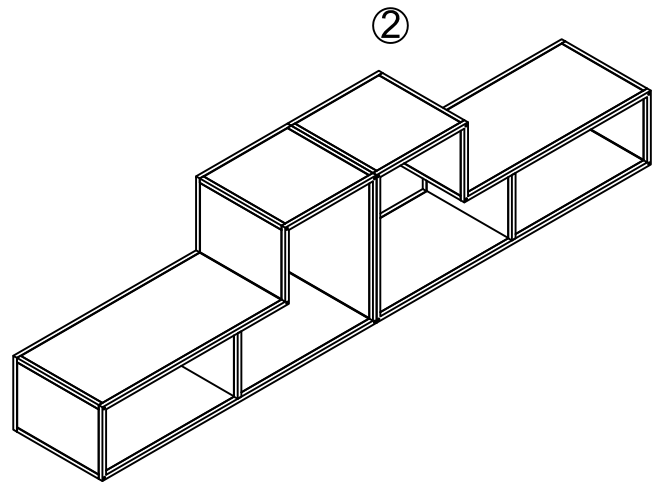
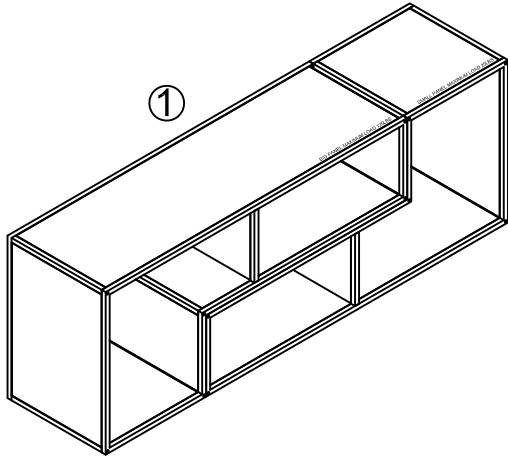
5 Attach the Side Frame - Back (B) to the Shelf Board (D, E, F, G, H, I).



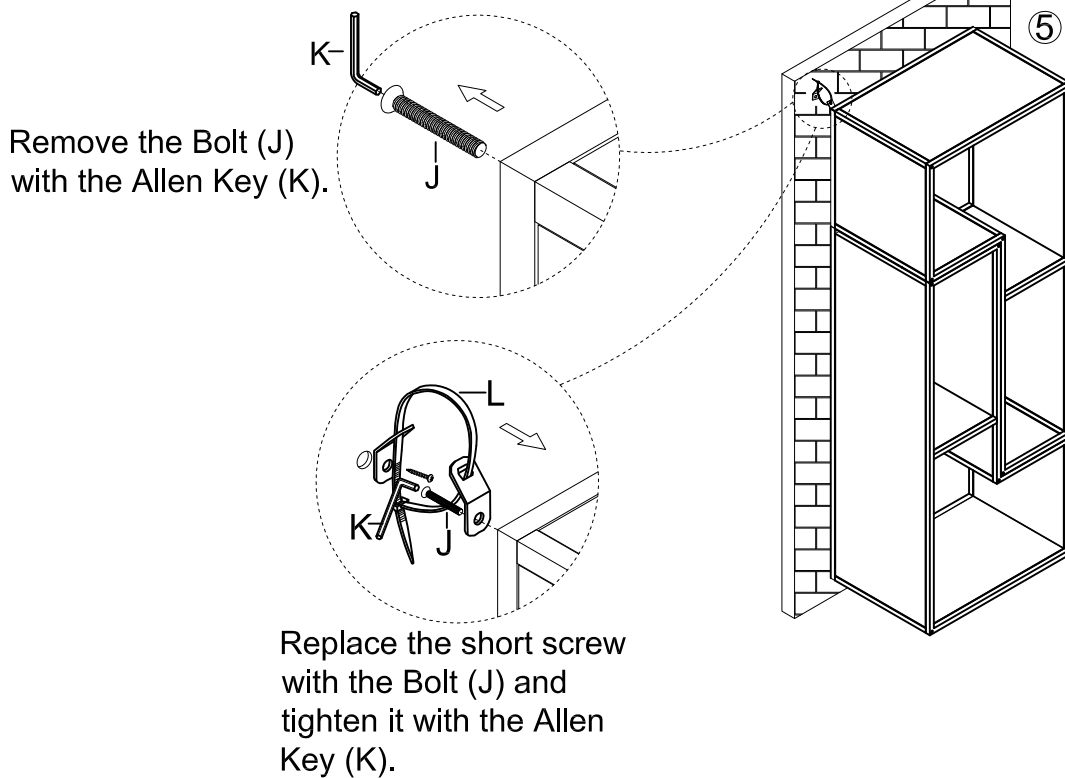
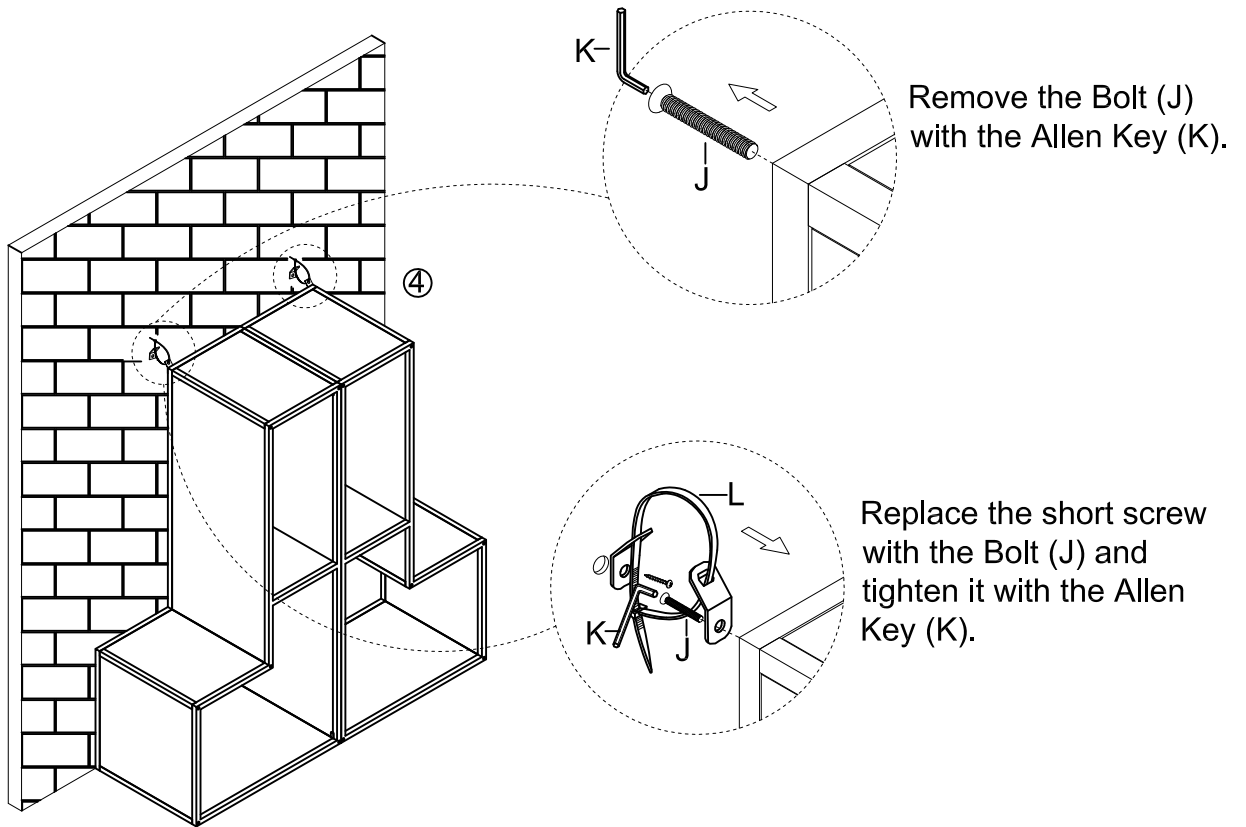
6 Attach the Side Frame - Back (B) to the Cross Bar (C) using Bolt (J) with the Allen Key (K).



7 The product can be assembled in different styles according to your preferences. Attach Flannel Patch (M) to the bottom of the product to avoid scratches and dirt.



8 To prevent tipping, please attach the product to the wall with Anti-Tip Kit (L). Refer to the Assembly Instructions for Anti-Tip Kit (L) and install it on the product's back.



Cleaning & Care

Treat surfaces with care. Surfaces are resistant to scratches but are not scratch resistant. Clean surfaces with a dry or damp soft cloth. Do not use abrasive cleaners. Hardware may loosen over time. Periodically check that all connections are tight.