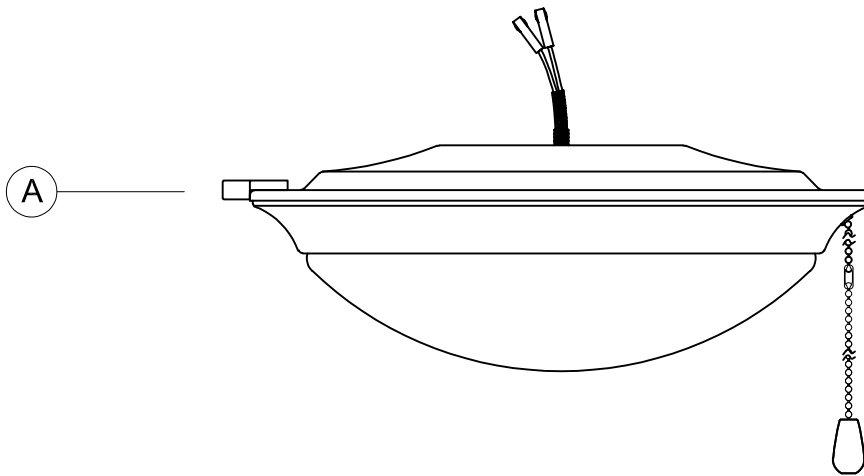


PACKAGE CONTENTS

PART	DESCRIPTION	QUANTITY
A	Light Kit	1



HARDWARE CONTENTS (not actual size)

<p>(B)</p>  <p>Hex Nut</p> <p>Qty:1</p>	<p>(C)</p>  <p>Lockwasher</p> <p>Qty:1</p>	
--	---	--



Missing parts? Please contact Customer Service at 1-800-447-0573 or customerservice@progresslighting.com, 8am-8pm (Eastern), Monday - Friday



Safety Information

Please read and understand this entire manual before attempting to assemble, operate or install the product.

CAUTION: To Reduce The Risk Of Electric Shock, Disconnect The Electrical Supply Circuit To The Fan Before Installing Light Kit.

CAUTION: Read instructions carefully and turn electricity off at main circuit breaker panel before beginning installation.

CAUTION: Risk of fire. Min. 90°C supply conductors. Consult a qualified electrician to ensure correct branch circuit conductor.

WARNING: If any Special Control Devices are used with this fixture, follow instructions carefully to assure full compliance with N.E.C. requirements. If there are any questions, contact a qualified electrical contractor.

CAUTION: All glass is fragile. Use care when handling glass shades and bulbs.

THIS PRODUCT MUST BE INSTALLED BY A PERSON FAMILIAR WITH THE CONSTRUCTION AND OPERATION OF THE PRODUCT AND THE HAZARDS INVOLVED, IN ACCORDANCE WITH THE APPLICABLE INSTALLATION CODE.

CAUTION-To Reduce The Risk Of Fire And Electric Shock, this Light Kit (3.34 lbs) Should Be Used Only With The Fan Models Specified Below: Models P2501

Manufactured By Company Chien Luen Industries (Zhong Shan) Ltd.

ATTENTION-Pour réduire le risque d'incendie et le choc électrique, Ce kit (3,34 lb) de lumière devrait être utilisé avec les modèles de ventilateur spécifiés ci-dessous:

Modèles P2501 fabriqués par la société Chien Luen Industries (Zhong Shan) Ltd.

Preparation

1. Before beginning installation, make sure all parts are included using the contents diagrams from page 1. If any part is missing or damaged, do not attempt to assemble, install or operate the product.
2. Estimated assembly time: 30 minutes.
3. Tools required for assembly (not included): Phillips screwdriver, pliers, wire stripper, safety glasses, electrical tape, ladder.

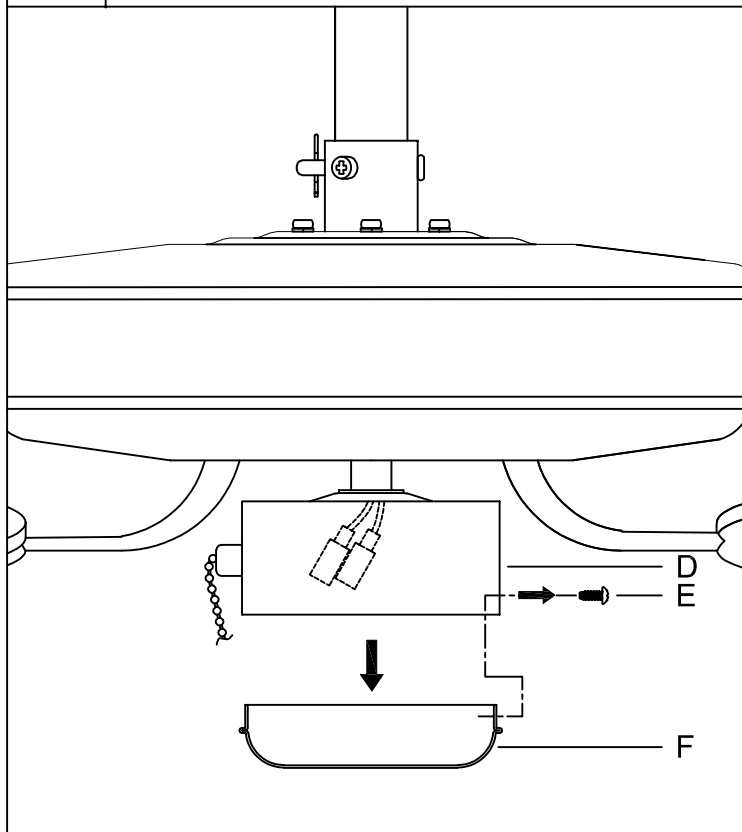
Care and Maintenance

Shut off main power supply before cleaning product or changing light bulbs. To clean, wipe with damp cloth. Do not use abrasive cleaners or cleaners that contain alcohol.

Assembly Instructions

1

Remove Fan Switch Housing Cover



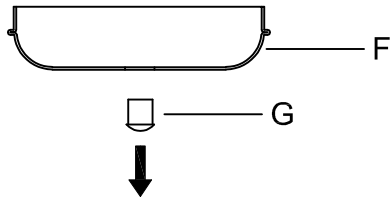
1. Loosen Fan Screws (E) and remove the Fan Switch Housing Cover (F) from the Fan Switch Housing (D).

Make sure to keep the Screws (E) for later in the installation.

ASSEMBLY INSTRUCTIONS

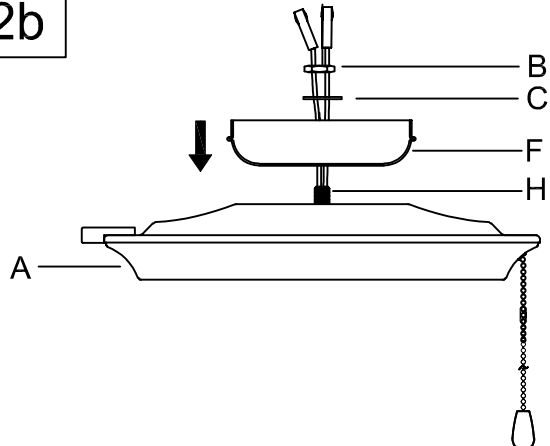
2 Install Light Kit

2a

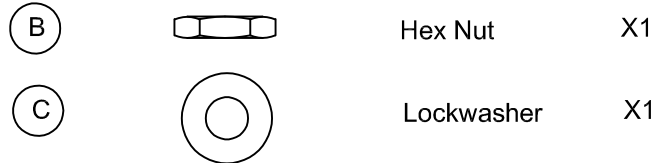


2a. Remove the center plug (G) from the Fan Switch Housing Cover (F).

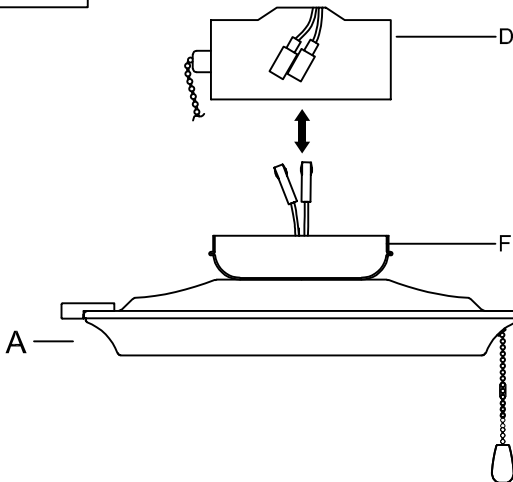
2b



2b. Use Nipple (H), Hex Nut (B), and Lockwasher (C) to secure the Light Kit (A) to the Fan Switch Housing Cover (F).

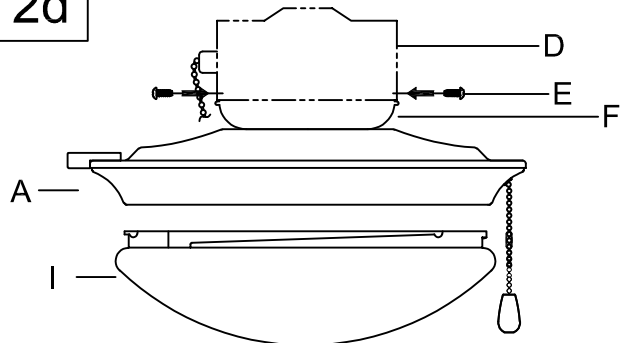


2c



2c. Carefully pull down the wires from the Fan Switch Housing (D). Connect the Light Kit Wires to the Switch Housing Wires (Black to Blue and White to White) by connecting male to female Quick Connects. Take care to align tabs for secure fit.

2d



2d. Use Fan Screws (E) from Step 1 to attach the Switch Housing Cover (F) back onto the Fan Switch Housing (D).

Line the glass shade (I) up the bumps on inner part of the Light Kit (A), Twist the glass shade (I) until it is secure.