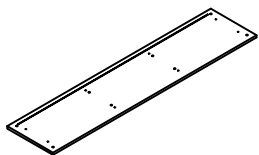


ASSEMBLY INSTRUCTION

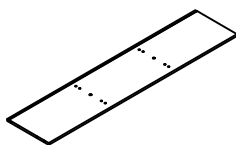
TV STAND

A Top Panel



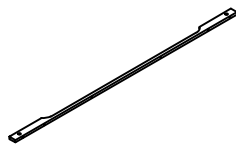
1pc

B Bottom Panel



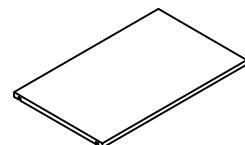
1pc

C Front Rail



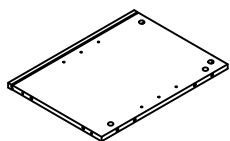
1pc

D Shelf Panel



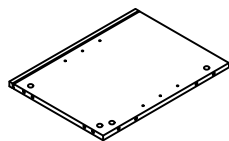
3pcs

E Middle Panel - Left



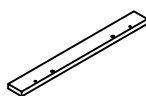
1pc

F Middle Panel - Right



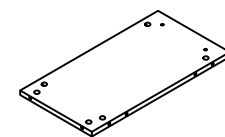
1pc

G Middle Post



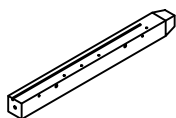
2pcs

H Side Panel



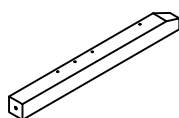
2pcs

I Back Leg - Left



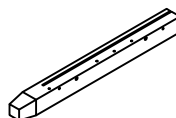
1pc

J Front Leg - Left



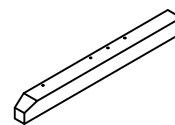
1pc

K Back Leg - Right



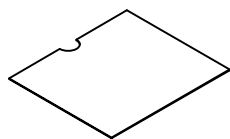
1pc

L Front Leg - Right



1pc

M Back Panel



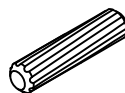
3pcs

N Support Leg



2pcs

O Wood Dowel
Ø8x30mm



30pcs

P Bolt
Ø5x25mm



26pcs

Q Nut
Ø15x12mm



26pcs

R Bolt
Ø6x50mm



6pcs

S Allen Key
M4



1pc

T Shelf Support
Ø5x16mm



12pcs

U Back Panel Support
Ø15x12mm



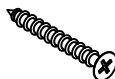
12pcs

V Screw
Ø3x17mm



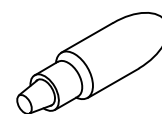
12pcs

W Screw
Ø4x25mm



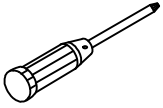
2pcs

X Glue

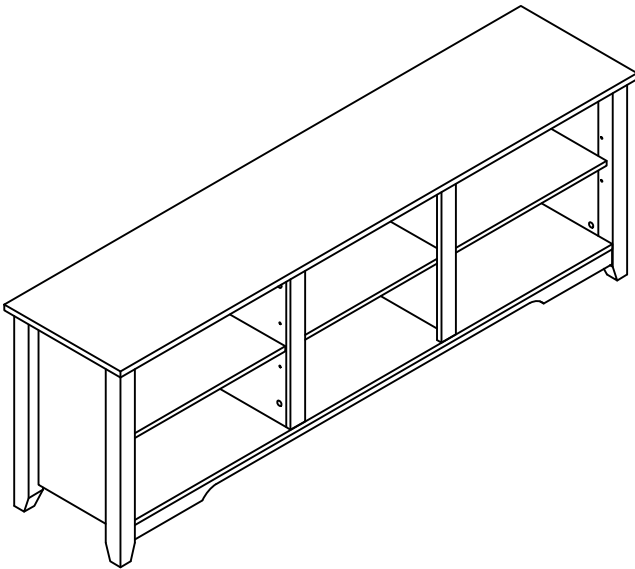


1pc

Y Screwdriver
(Not Provided)



1pc

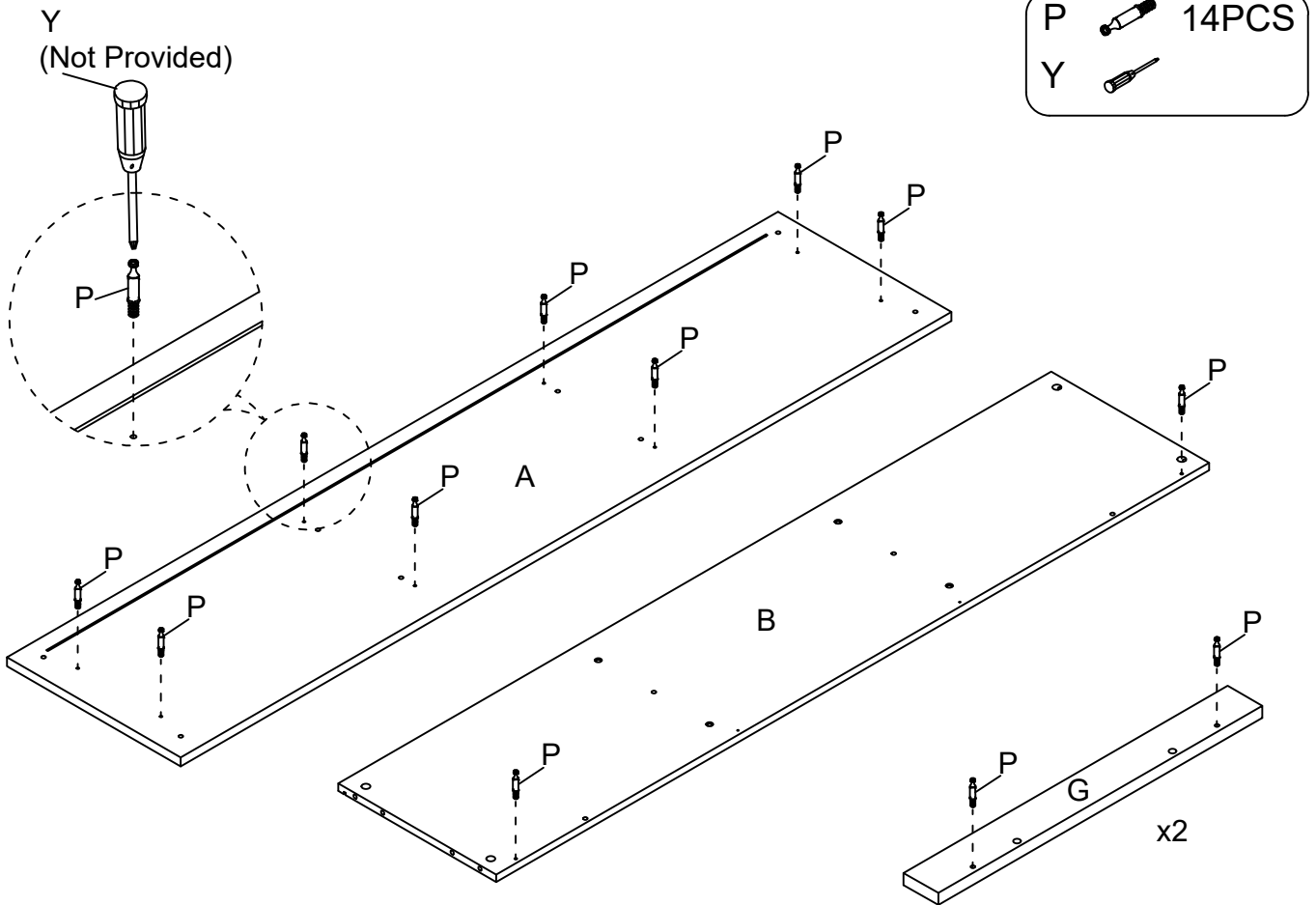


This page lists all the contents included in the box. Please take the time to identify the hardware as well as the individual components to this product. As you unpack and prepare for assembly, place the contents on a carpeted or padded area to protect them from damage.

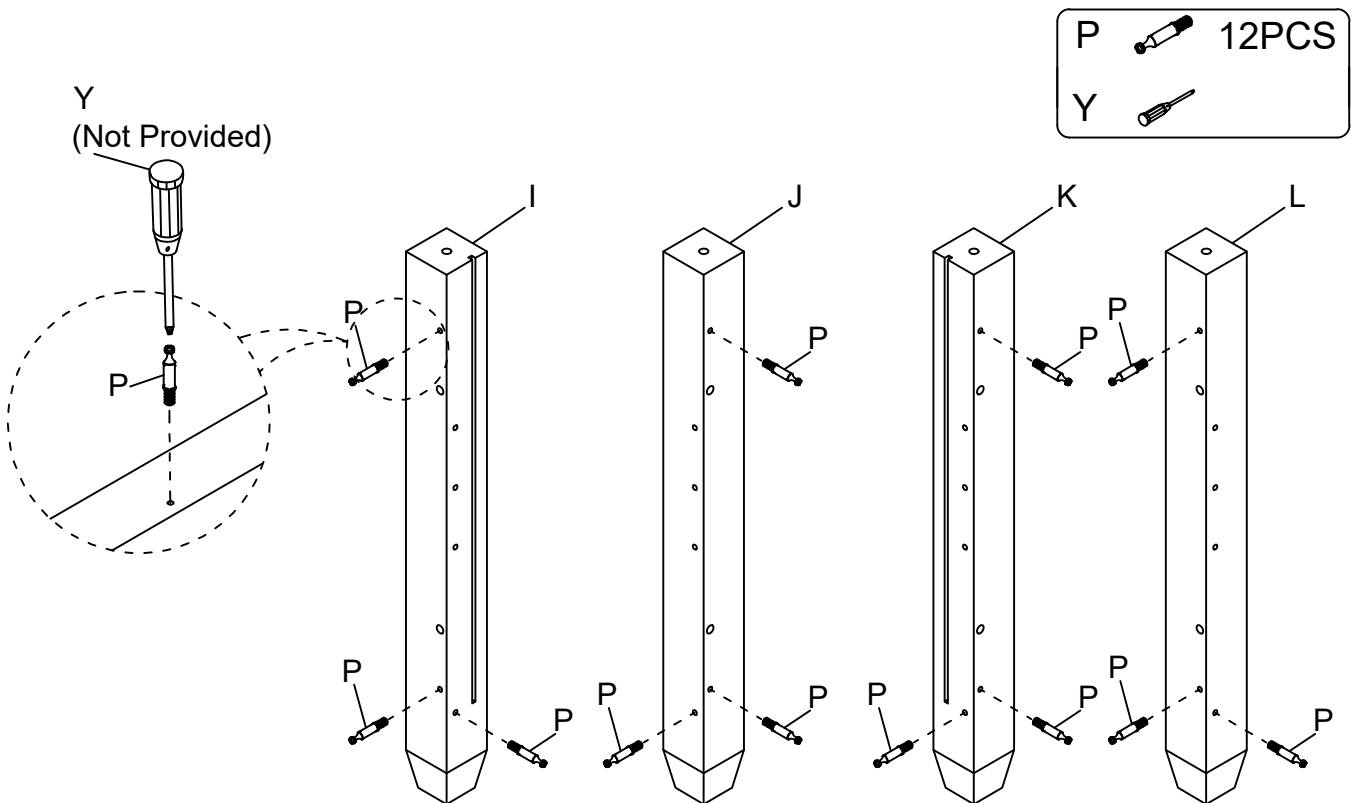
ASSEMBLY

Do not fully tighten all bolts until assembly is complete. This will help all parts to assemble properly.

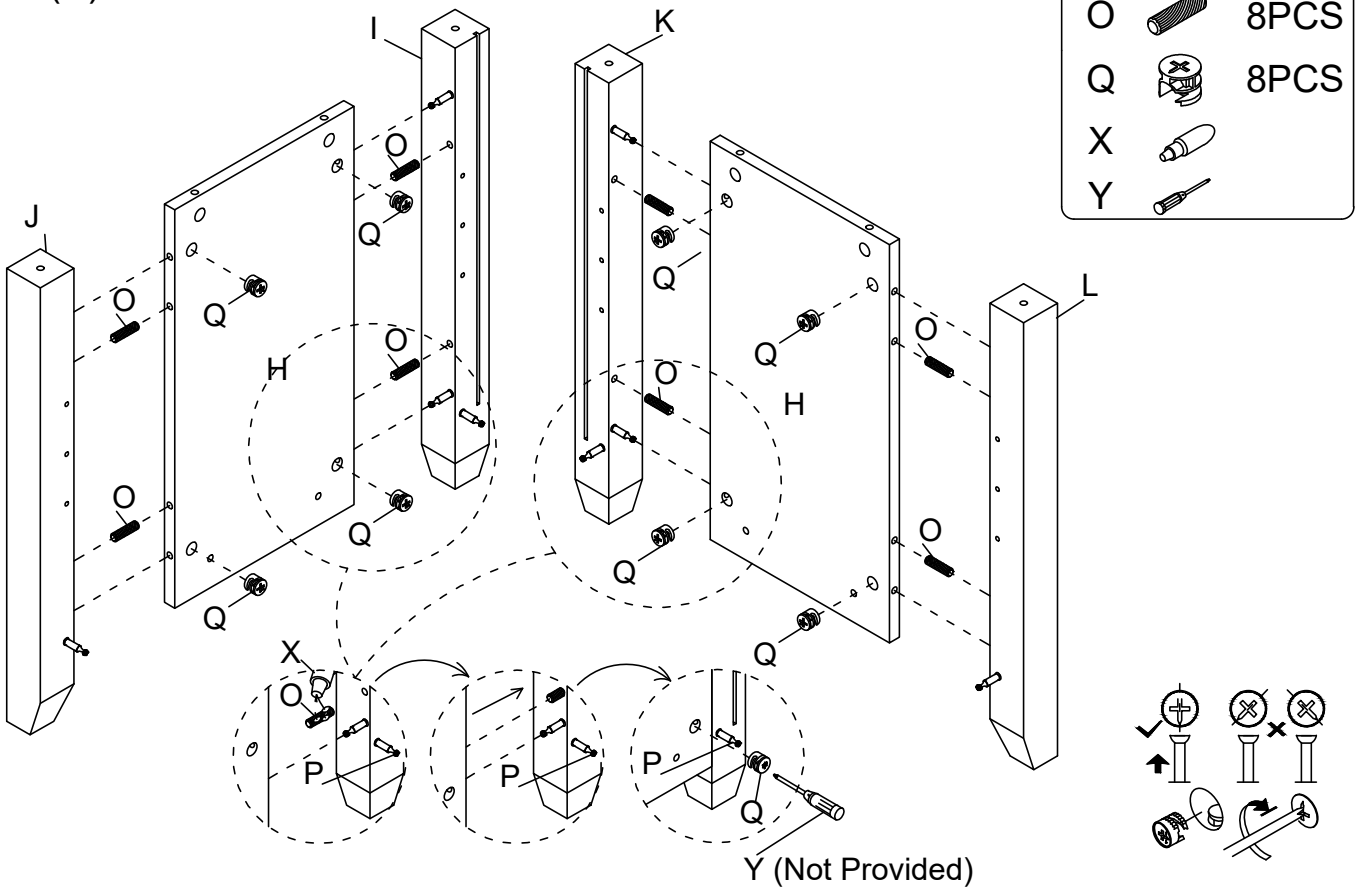
1 Attach Bolt (P) to Top Panel (A), Bottom Panel (B) & Middle Post (G) by Screwdriver (Y) as below shown.



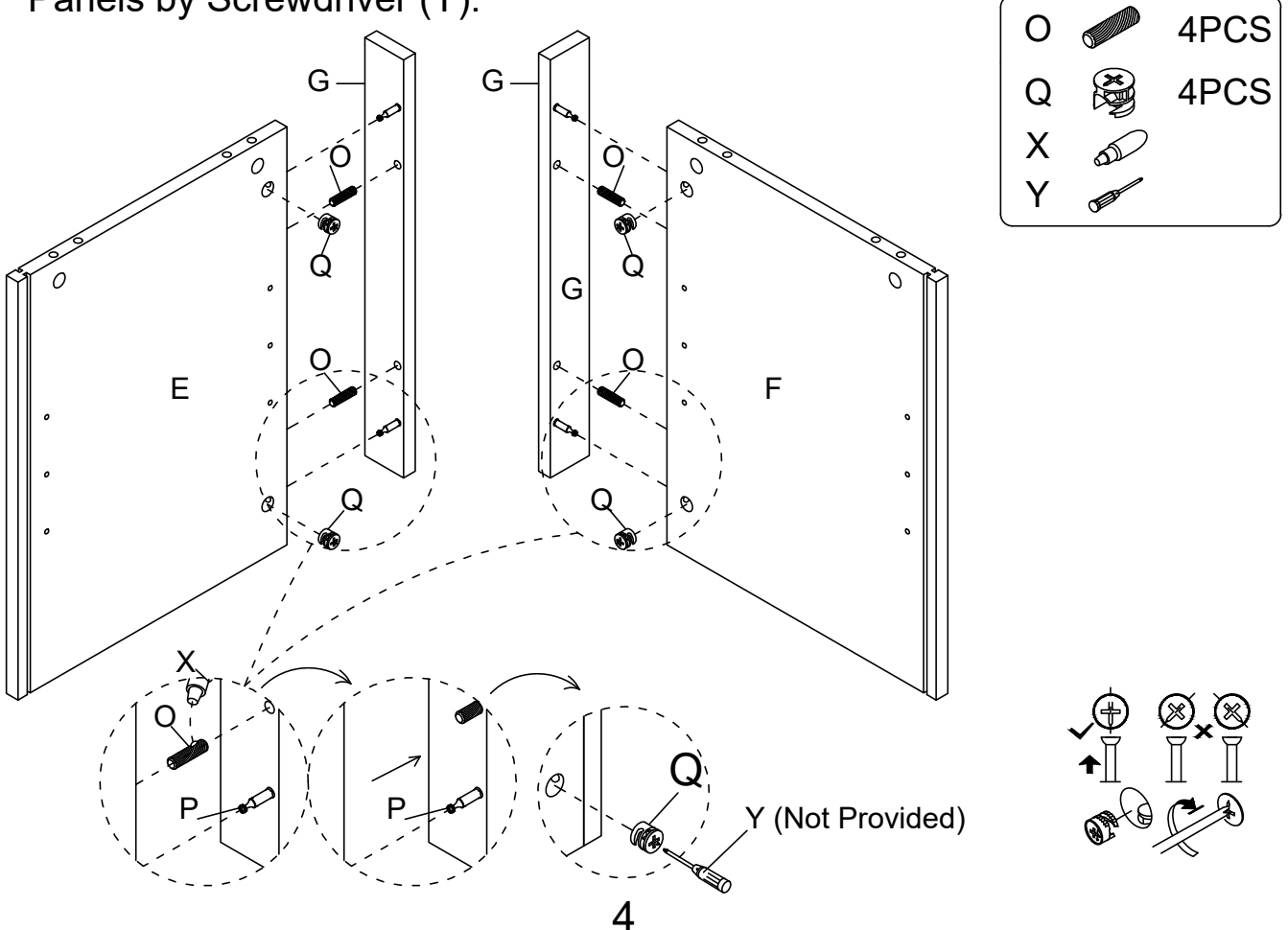
2 Attach Bolt (P) to Back Leg - Left (I), Front Leg - Left (J), Back Leg - Right (K), Front Leg - Right (L) by Screwdriver (Y) as below shown.



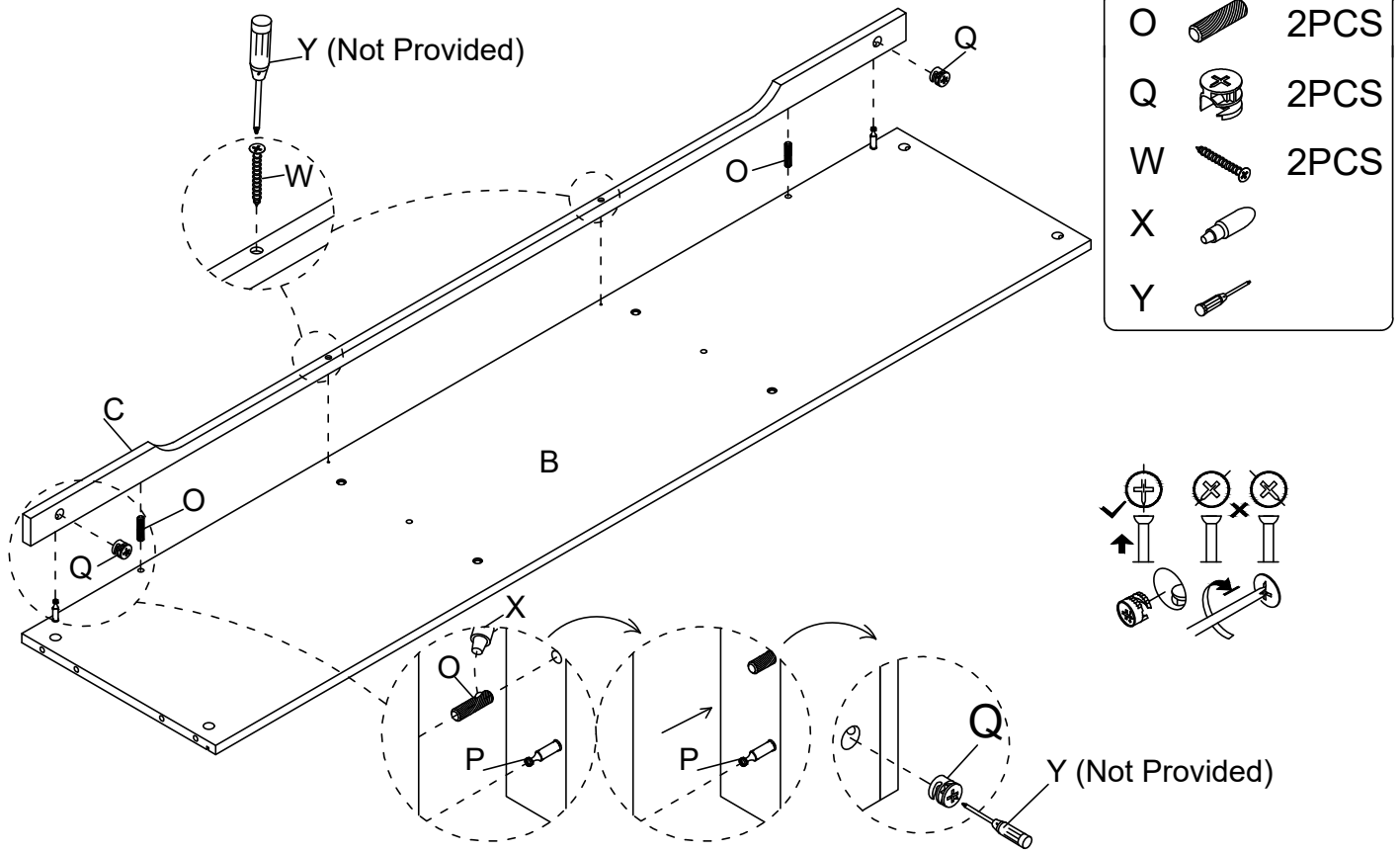
3 Attach two pieces of Side Panel (H) to Back Leg - Left (I), Front Leg - Left (J), Back Leg - Right (K) & Front Leg - Right (L) using Wood Dowel (O) by Glue (X), then attach Nut (Q) to Bolt (P) in Side Panel (H) by Screwdriver (Y) as below shown.



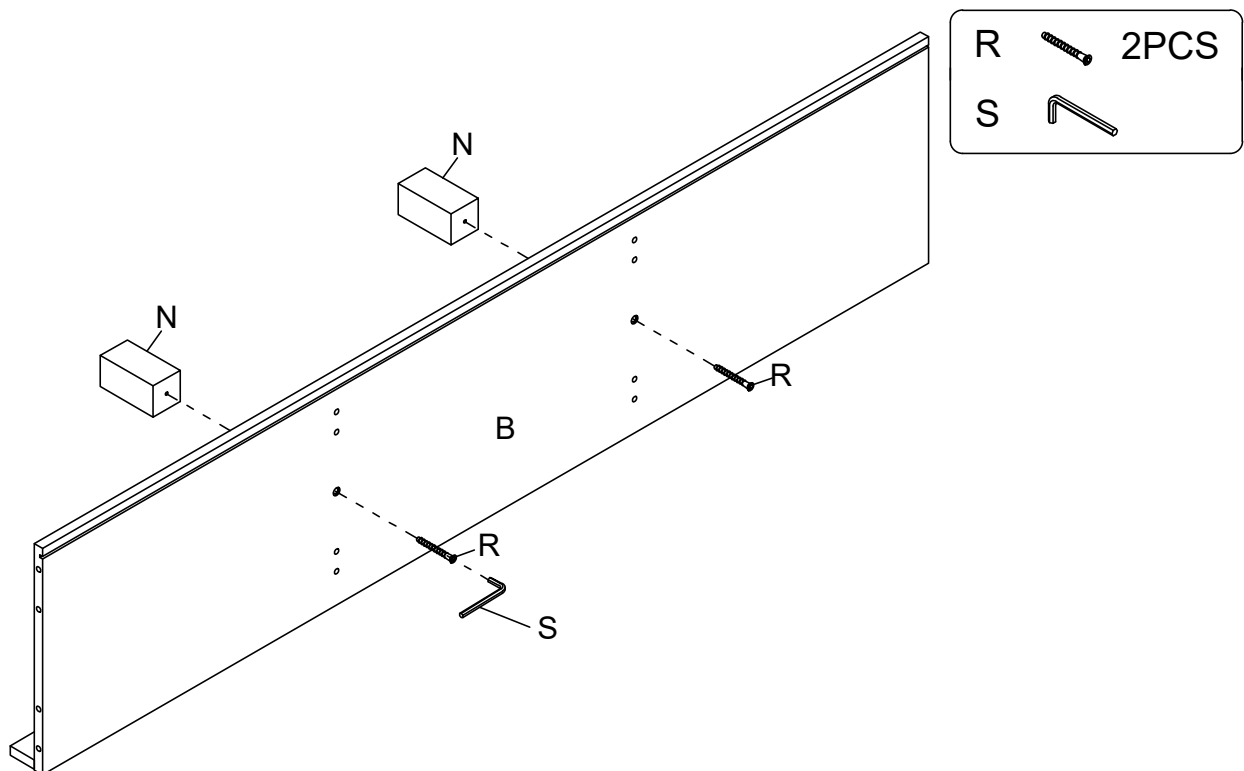
4 Attach Middle Post (G) to Middle Panel - Left (E) & Middle Panel - Right (F) using Wood Dowel (O) by Glue (X), then attach Nut (Q) to Bolt (P) in Middle Panels by Screwdriver (Y).



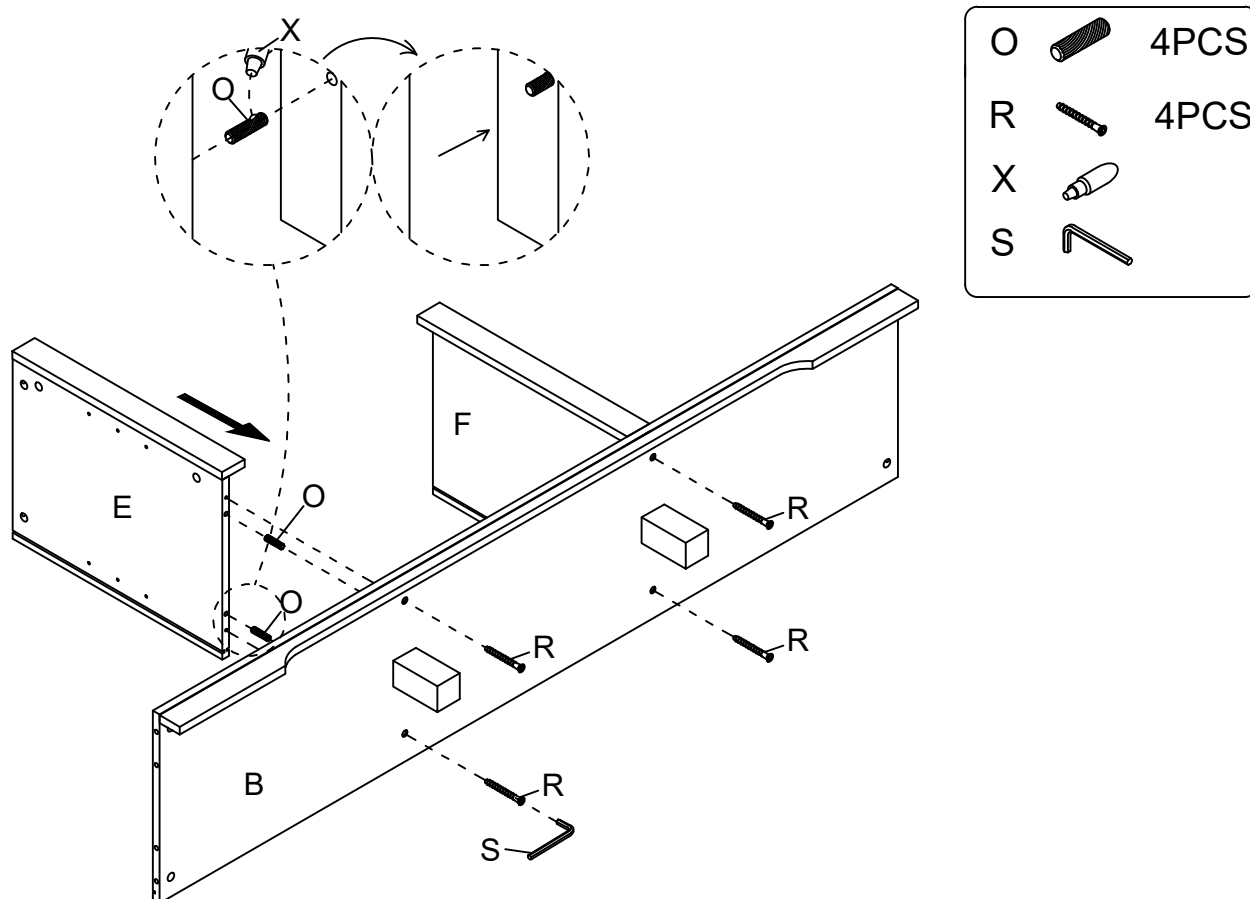
5 Attach Front Rail (C) to Bottom Panel (B) using Wood Dowel (O) by Glue (X), then attach Nut (Q) to Bolt (P) & assemble Screw (W) in Front Rail (C) by Screwdriver (Y).



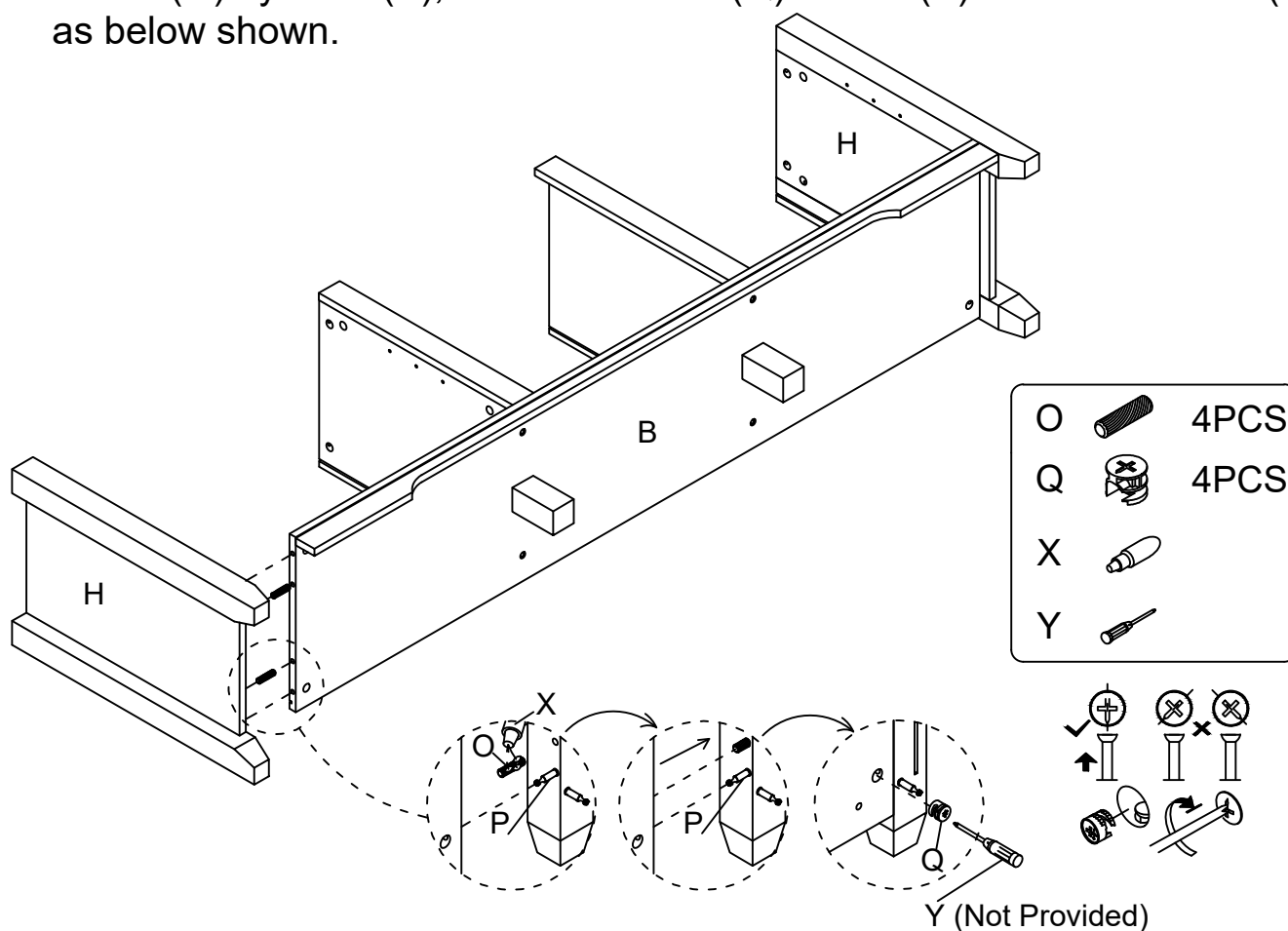
6 Attach Support Leg (N) to Bottom Panel (B) using Bolt (R) by Allen Key (S).



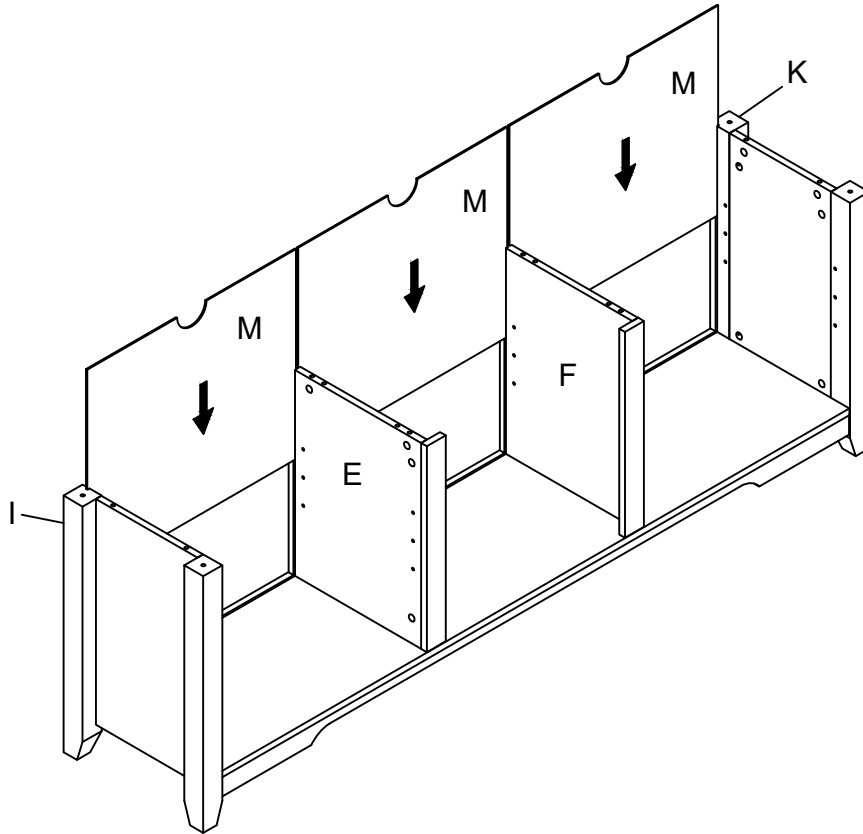
7 Attach the assembled Middle Panel - Left (E) & Middle Panel - Right (F) to Bottom Panel (B) using Wood Dowel (O) by Glue (X), and using Bolt (R) to tighten by Allen Key (S).



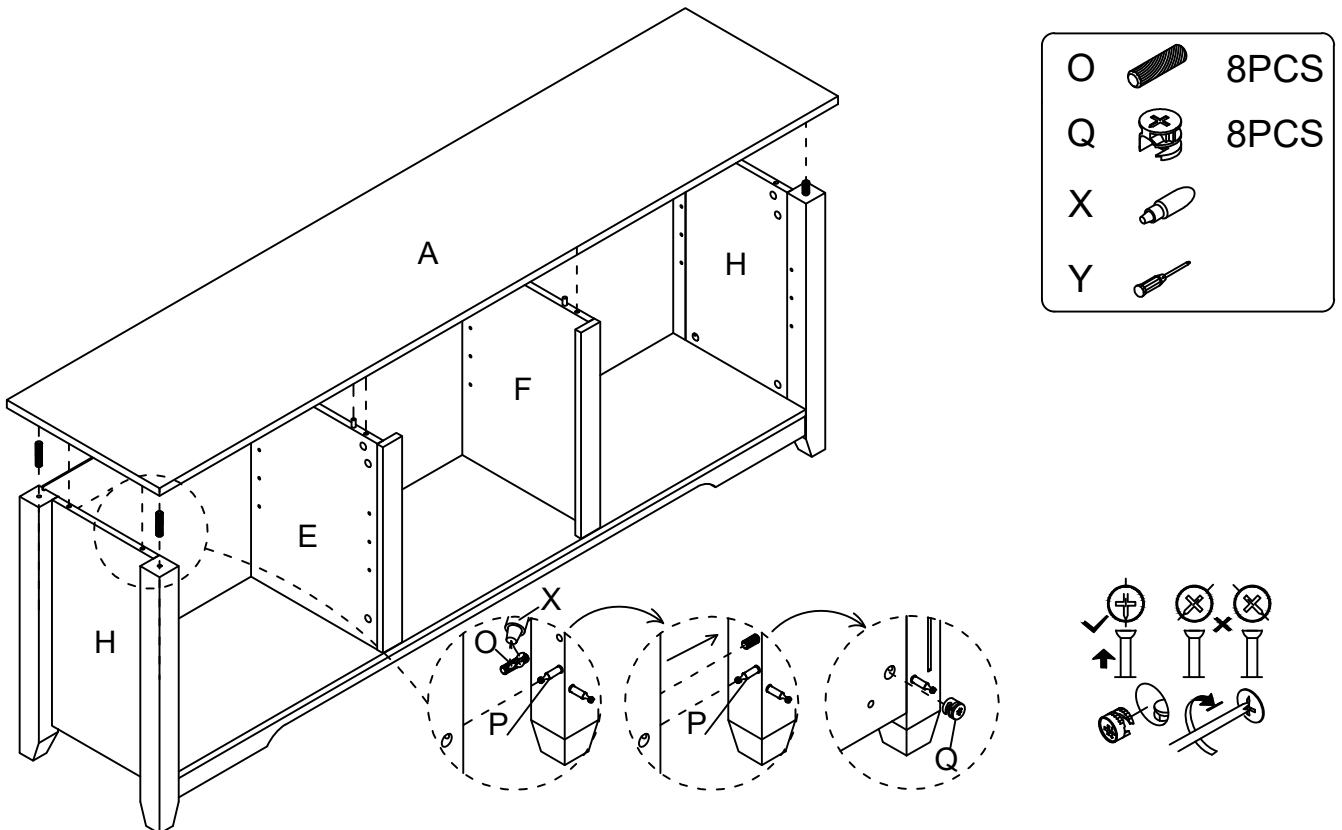
8 Attach the assembled Side Panel (H) to Bottom Panel (B) using Wood Dowel (O) by Glue (X), then attach Nut (Q) to Bolt (P) in Bottom Panel (B) as below shown.



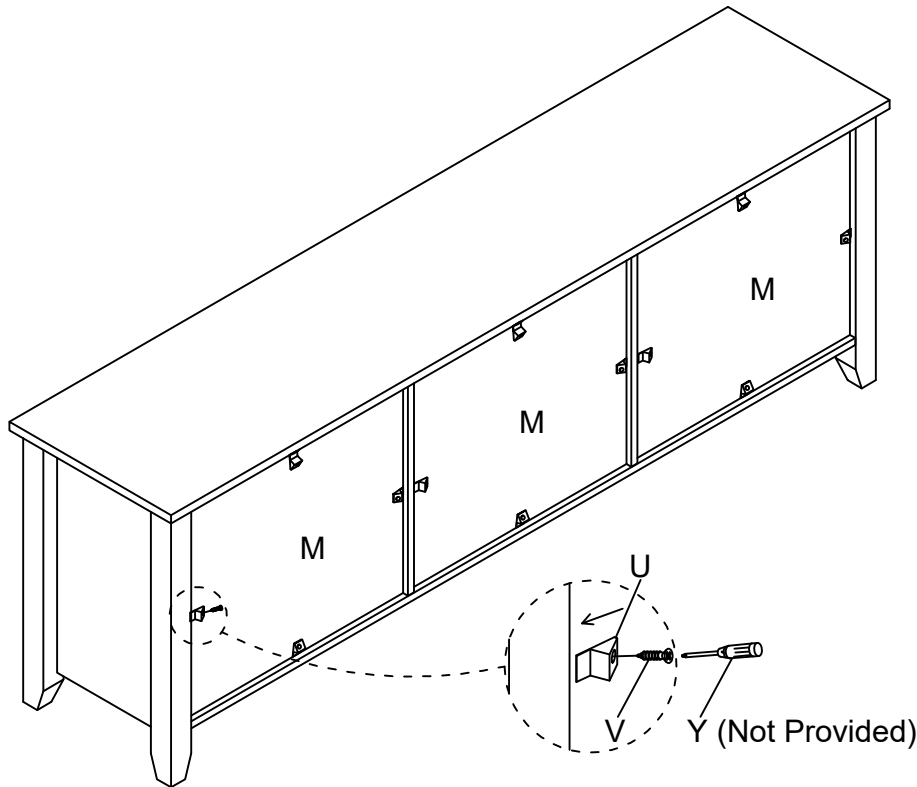
9 Insert Back Panel (M) to the assembled Back Leg - Left (I) & Back Leg - Right (K), Middle Panel - Left (E) & Middle Panel - Right (F) as below shown.



10 Attach Top Panel (A) to the assembled Side Panel (H), Middle Panel - Left (E) & Middle Panel - Right (F) using Wood Dowel (O) by Glue (X), then attach Nut (Q) to Bolt (P) by Screwdriver (Y) as below shown.



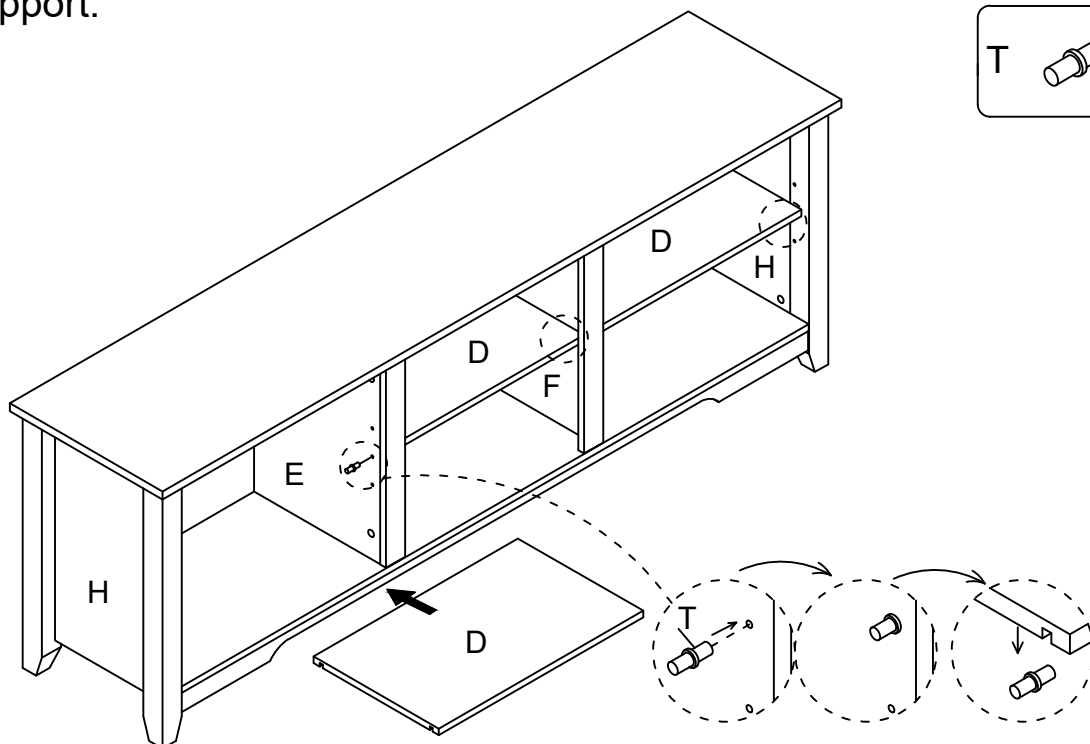
11 Attach Back Panel Support (U) to Back Panel (M) using Screw (V) by Screwdriver (Y) as below shown.



U		12PCS
V		12PCS
Y		

12 Insert Shelf Support (T) to Side Panel (H), Middle Panel - Left (E) & Middle Panel - Right (F), then attach Shelf Panel (D) on the Shelf Support (T) as below shown.

Remark: There are 3 options for you to adjust the height of the shelf support.



T		12PCS
---	--	-------

Cleaning & Care

Treat surface with care. Surface is resistant to scratches but is not scratch resistant. Clean surfaces with a dry or damp soft cloth. Do not use abrasive cleaners. Hardware may loosen over time. Periodically check that all connections are tight.