

# GARDENIA III – EVERYDAY BATHS

60 x 48 x 27 ¾ inches

SOAKER MODEL #1160410

WHIRLPOOL MODEL #1160411



## FEATURES

- Garden tub
- Integral tiling flange (3T)
- 6-¼" wainscot
- Ergonomic backrest
- Integral skirt
- Slip-resistant textured bottom
- Center rear drain
- AcrylX™ applied acrylic surface
- Lifetime limited warranty

### Whirlpool Features:

- 4 directional hydrotherapy jets
- Available in White and Biscuit/Linen only
- Color matched trim
- Pneumatic on/off control
- Advanced safety suction system

## OPTIONS

- Designer drain, waste & overflow

## AQUATIC ADVANTAGE

- National distribution
- 7 manufacturing facilities
- Private fleet
- Centralized customer service
- Field support

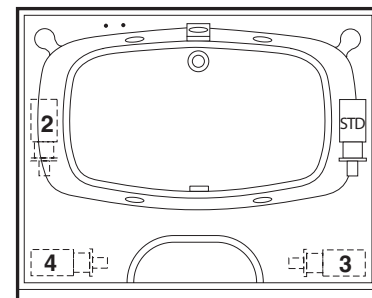
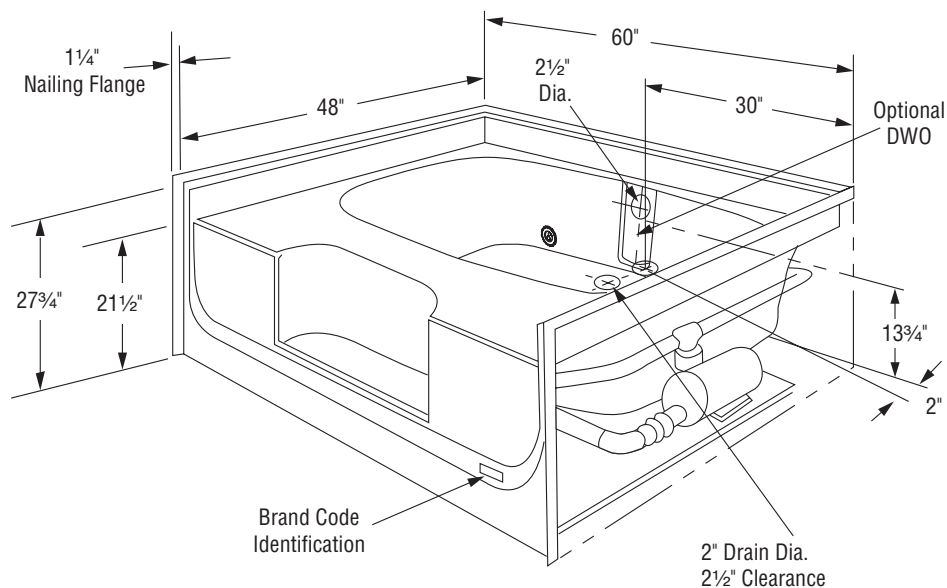
## COLOR OPTIONS

Stock	Upgraded	Premium
White	Almond Biscuit/Linen Bone	Black Mexican Sand Sand Bar Sterling Silver



# GARDENIA III

60 x 48 x 27 ¾  
inches



**FEATURES** lbs      Dimensional Tolerance  $\pm \frac{3}{16}$ ". Dimensions needed for site preparation should be measured from the unit. Aquatic assumes no responsibility for preparatory work.

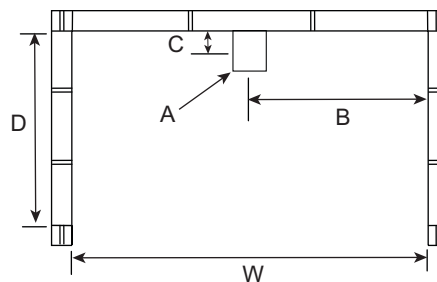
Model #	Material	Jets	Motor	Controls	Drain	Net Wt.	Pkg. Wt.
Soaker #1160410	AcrylX™	0	–	–	Center Rear	130	135
Whirlpool #1160411	AcrylX™	4	63 GPM	Pneumatic	Center Rear	180	185

## DIMENSIONS

Specifications	inches
Width: Overall / Net	60
Depth: Overall / Net	49 ¼ / 48
Height: Overall / Net	29 / 27 ¾
Enclosure Opening	56
Skirt Height	21 ½
Drain Rough-In (from Back Wall)	30
Drain Rough-In (from Side Wall)	1 ½
Drain: Diameter / Clearance	2 / 2 ½

## FRAMING DIMENSIONS inches

Type	D Depth	W Width	H Height	A	B	C
Alcove	49 ¼	60 ⅛	27 ½	Box Out	30	1 ½



## SUMP DATA

Top of Drain to Bottom of Overflow	Capacity to Overflow gal	Min. Operating Capacity gal	WIDTH @ centerline		DEPTH @ centerline	
			Top	Bottom	Top	Bottom
13 ¾	67	50	53	49	34	26