

770G PVC Ball Valve – Schedule 80

Spec Sheet

Sizes 1/2" - 2"

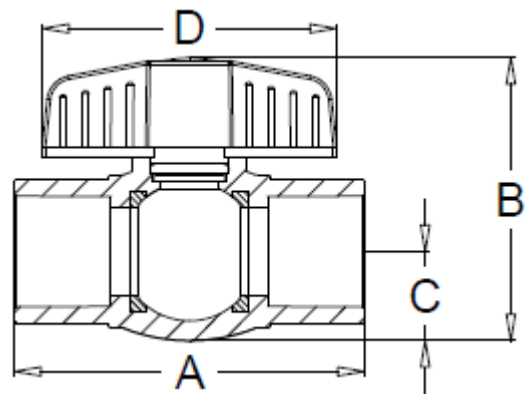
FEATURES & BENEFITS

- 150 PSI @ 73 Deg. F.
- Gray Color
- Sch. 80
- NSF Approved
- Fits Sch. 40 & Sch. 80 Pipe
- Threaded or Solvent Ends
- Threaded Ends Comply With ANSI B1.20.1
- Solvent Ends Comply With ASTM D2466



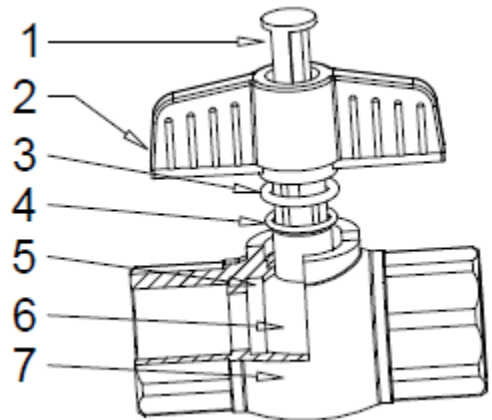
DIMENSIONS

Part # Threaded	Part # Solvent	Size	A	B	C	D
770T03G	770S03G	1/2"	3.16	2.46	0.71	2.74
770T04G	770S04G	3/4"	3.61	2.98	0.87	3.01
770T05G	770S05G	1"	4.19	3.39	1.06	3.53
770T06G	770S06G	1-1/4"	4.76	3.77	1.21	3.54
770T07G	770S07G	1-1/2"	5.13	5.87	1.46	2.85
770T08G	770S08G	2"	5.93	7.34	1.83	3.50



MATERIAL SPECIFICATIONS

No.	Part	Material
1	Cap	ABS
2	Handle	ABS
3	O-Ring	EPDM
4	O-Ring Mini	EPDM
5	Seat	PTFE
6	Ball	PC + ABS
7	Body	PVC



MATCO
NORCA