

Boutique Collection Tubs



Features an integrated overflow and a half-rolled rim.

Elena

MODEL #: 245

245R 58" x 32" x 23"

245F 58" x 32" x 22"

GENERAL SPECIFICATIONS

Material - SculptureStone®

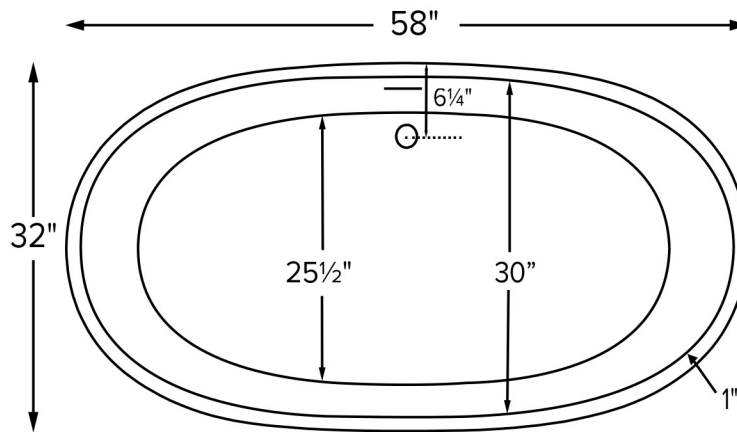
Installation - Freestanding

Soaker Weight - 270 lbs / 120 kg

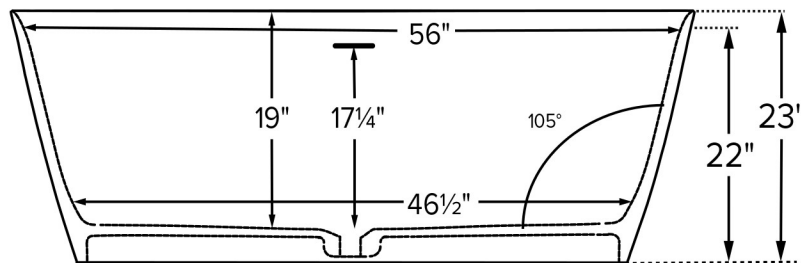
Air Bath Weight - 300 lbs / 136 kg

Maximum Fill - 75 gal to overflow

NOTE: Filling this tub to the maximum may require an above average size or dedicated water heater.



Elena is available with a half-rolled or flat rim, Tub height will vary based upon features selected.



Half-Rolled Rim



Flat Rim
(reduces overall height by 1")

ELECTRICAL COMPONENTS & SPECIFICATIONS

Required Electrical Service - 110 Volt

| Hydrotherapy Package | Components Included | GFCI |
|----------------------|---------------------|----------|
| Air Massage | heated blower | 1-15 amp |

CSA Certified C/US; ANSI Z124.1 and ANSI 112.19.7

See the Installation & Operation Manual for more details.

MTI's Customer Service: Monday-Friday 8am-6pm EST

800-783-8827 or service@mtibaths.com

IMPORTANT ORDERING & INSTALLATION INFORMATION

- Before ordering or installing, please consider future access to equipment.
- Includes an integrated overflow with toe tap drain in chrome finish. May be specified without an overflow (see local codes before ordering without an overflow).
- Air baths require job site preparation for remote installation of the blower and required check valve. Check valve must be installed higher than the rim of the tub.
- Waterproof remote control included with air bath. Keypad shipped loose may be remote mounted on nearby surface/wall.
- Faucet valves cannot be mounted on this tub model.

- Before discarding tub crate, check for accessories that may be packaged inside.
- All product measurements are $\pm 1/2"$.
- Specifications and configurations are subject to change without notice.
- Measurements herein supersede all others published prior to publication date below.

CSA # MTCT-245

©2022 by MTI Baths, Inc. Modification Rights Reserved

1 of 2



Rev. 0119 2022