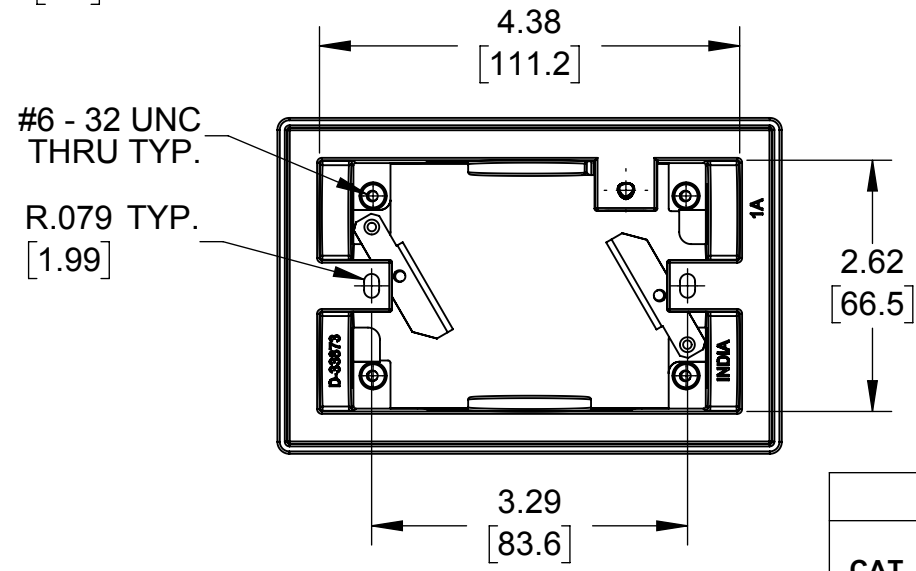
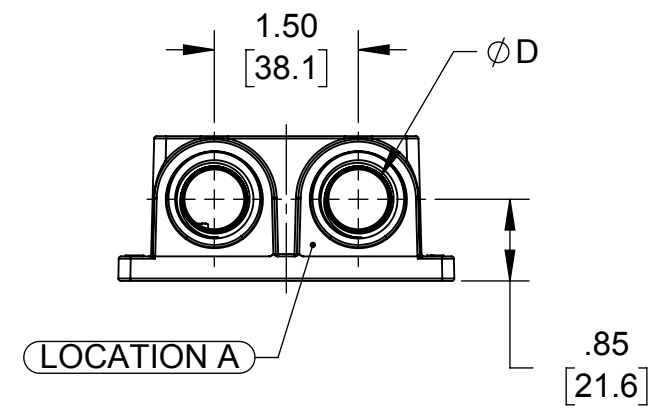
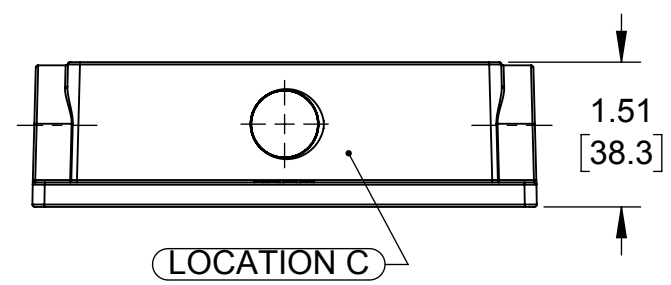
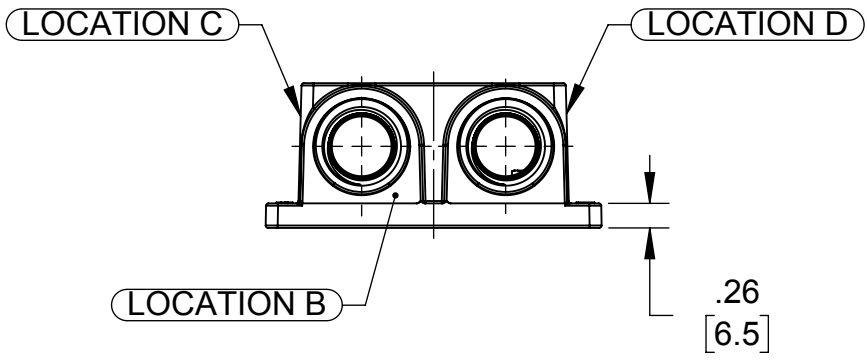
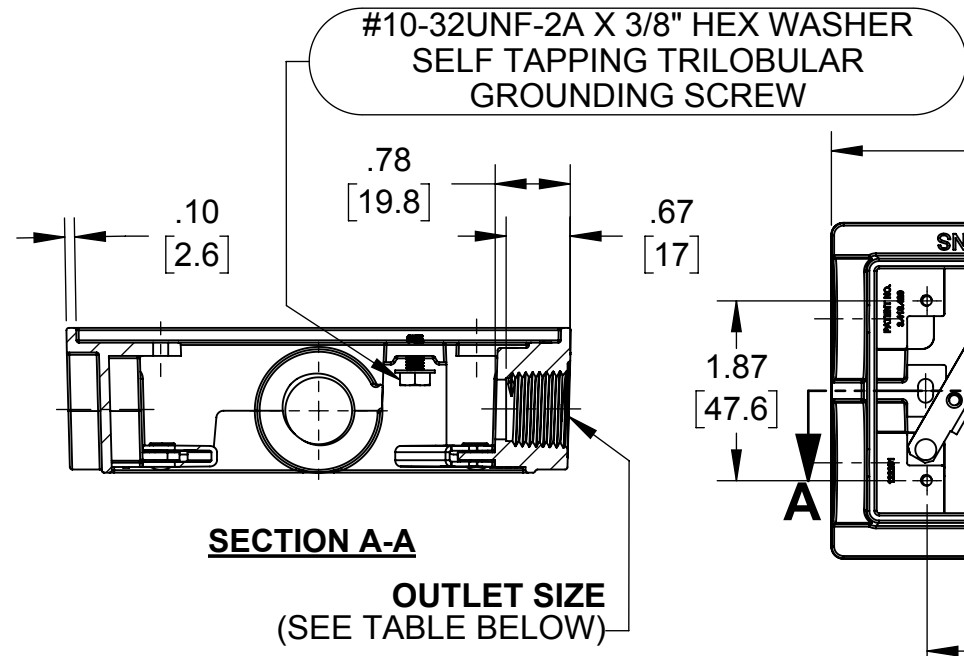
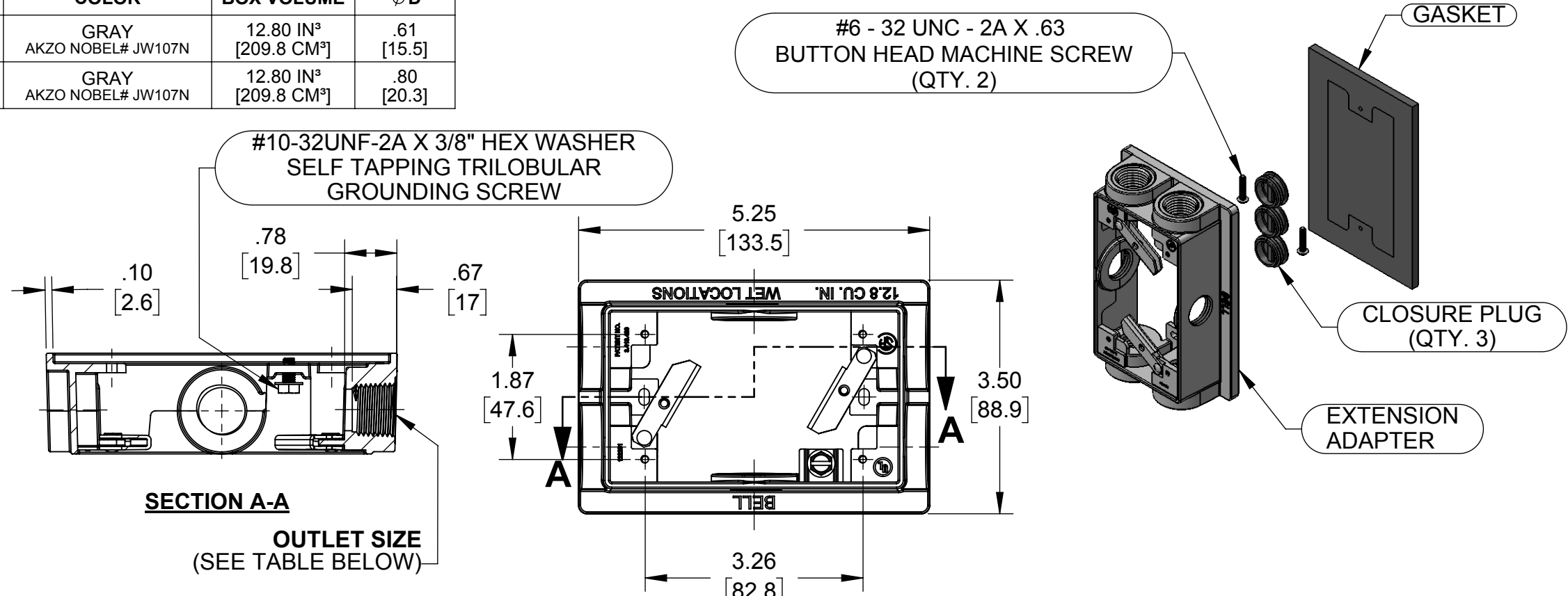


| CAT. # | COLOR | BOX VOLUME | Ø D |
|--------|----------------------------|---|---------------|
| 5414-0 | GRAY AKZO NOBEL# JW107N | 12.80 IN ³ [209.8 CM ³] | .61 [15.5] |
| 5415-0 | GRAY AKZO NOBEL# JW107N | 12.80 IN ³ [209.8 CM ³] | .80 [20.3] |

LIST OF PARTS

| DESCRIPTION | MATERIAL | FINISH |
|---------------------------|-------------------|--------------------------|
| EXTENSION ADAPTOR | DIE-CAST ALUMINUM | PAINT |
| GROUNDING SCREW | C1022 STEEL | GREEN ZINC AERODITE |
| CLOSURE PLUG | LEXAN/ ZINC | N/A |
| BUTTON HEAD MACHINE SCREW | C1010 STEEL | .00015" ZINC PASSIVATION |
| GASKET | P.E. FOAM | BLACK |

| GRAY BOX | CLOSURE PLUG 1/2" & 3/4" NPT | |
|-----------|------------------------------|---------|
| | MATERIAL | FINISH |
| PRIMARY | LEXAN | GRAY |
| ALTERNATE | ZINC | NATURAL |



NOTES:
 1. ALL DIMENSIONS ARE IN INCHES AND [MILLIMETERS].
 2. BOX VOLUME: SEE TABLE.
 3. UL & CSA LISTED.

| OUTLETS | | | | | |
|---------|---------------|-----------------|-------------|-----------------|-------------|
| CAT. # | OUTLET SIZE | OUTLET LOCATION | OUTLET QTY. | OUTLET LOCATION | OUTLET QTY. |
| 5414-0 | 1/2" - 14 NPT | A & B | 2 | C & D | 1 |
| 5415-0 | 3/4" - 14 NPT | A & B | 2 | C & D | 1 |

| SYMBOL | INITIAL RELEASE | S.J. | 07/07/2017 |
|--------|----------------------|------|------------|
| SYMBOL | REVISION DESCRIPTION | APP | DATE |
| | | | |

THE DESIGN AND DIMENSIONS OF THE PRODUCT SHOWN ON THIS DRAWING ARE SUBJECT TO CHANGE WITHOUT NOTICE

TITLE:
SWING-ARM EXTENSION ADAPTER WITH 6 OUTLETS

RACO
 South Bend, Indiana

| | | |
|-----------|------------|--------|
| DRAWN BY: | M.M. | SCALE: |
| APP. BY: | S.J. | 1:2 |
| DATE: | 07/07/2017 | |

TOLERANCE UNLESS OTHERWISE SPECIFIED:
 .XX DECIMAL ±.015
 .XXX DECIMAL ±.005
 ANGLE ±2°