

# *Spare Parts Catalogue*

---

Version: 2023/06/27a EN



*Invacare<sup>®</sup> Etude Plus HC*



**Yes, you can.®**

### **General Information**

*For any order of spare parts the following information is required:*

- Product type*
- Product name & model*
- Serial Number*
- Part-Number*
- Part-Description*

*Exploded view drawings and code numbers are not contractual and subject to modification, in relation to Invacare® continuous product improvement policy to meet end users needs.*

*The reproduction or use of this work, or of any substantial part of this work, in any form or by any electronic, mechanical or other means, including photocopying, scanning and recording, and in any information storage and retrieval system, including electronic transmission, is forbidden without the prior written permission of Invacare® International Sarl.*



**Yes, you can.<sup>®</sup>**

## **TABLE OF CONTENTS**

---

### **Mattress support**

Mattress support .....	5
Mattress support, head end, Auto Regression .....	6
Mattress support, leg end .....	7

### **Bed end for lifting**

Bed end for lifting .....	8
Bed end .....	9

### **Electrical parts**

Electrical parts .....	10
Actuator, backrest with Auto Regression .....	11
Actuator, leg end .....	12
Actuator, bed end lifting .....	13
Control unit 120V .....	14
Battery, backup .....	15
Hand control .....	16

### **Side rails**

Side rails .....	17
Side rail Verso II .....	18

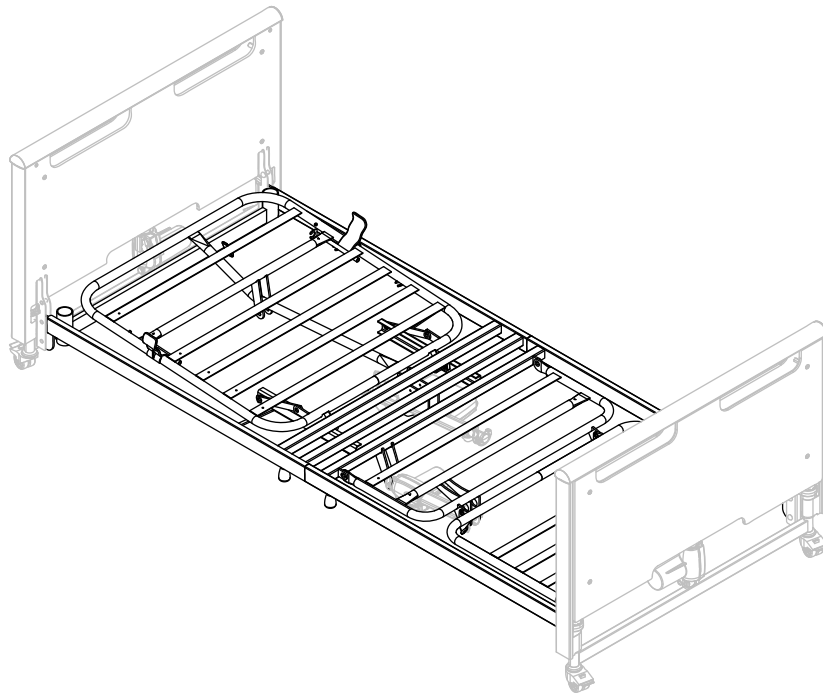
### **Lifting pole**

Lifting pole .....	19
Lifting Pole .....	20

### **Spareparts for Accessories**

Spareparts for Accessories .....	21
Transport adaptor .....	22
Side panels .....	23

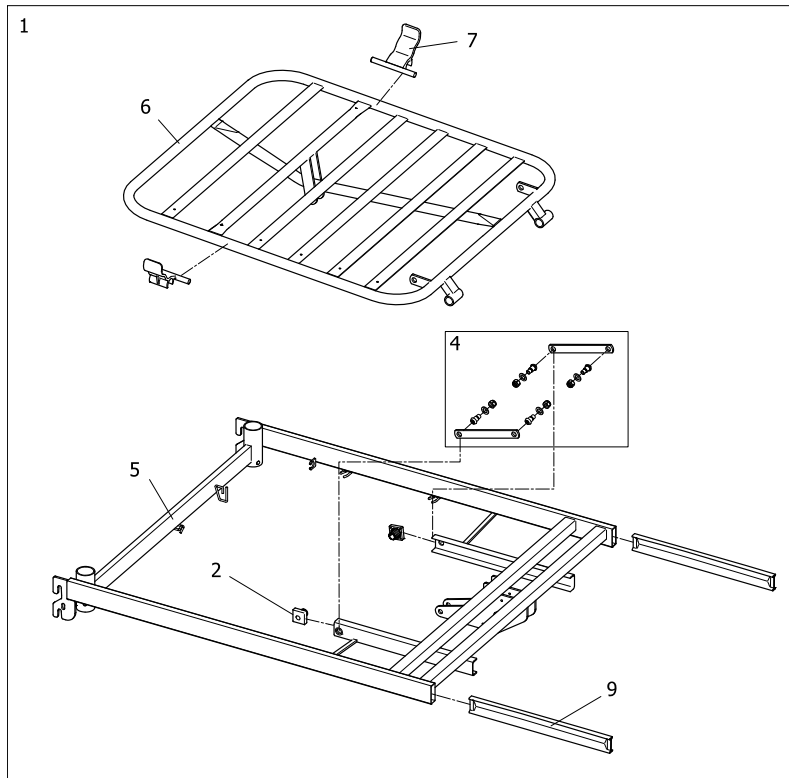




<SPCETUDEPHCI1

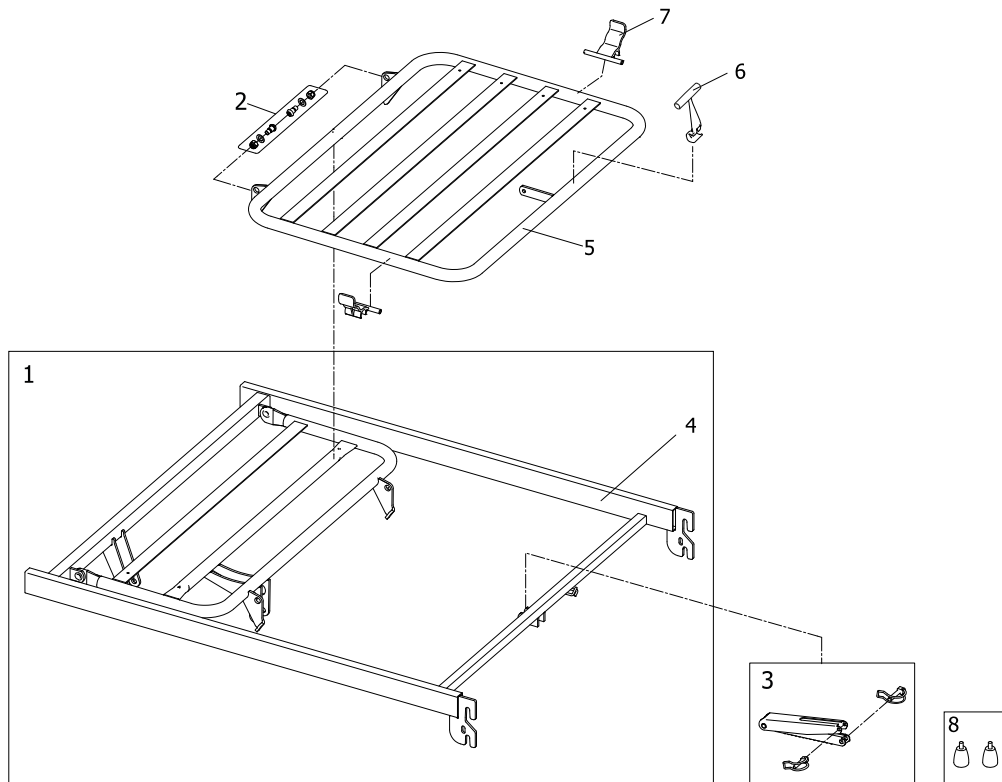
Pos.	Part number	Description	Valid from → until	Qty
1	-	Mattress support, head end, Auto Regression		1
2	-	Mattress support, leg end		1

# Mattress support, head end, Auto Regression



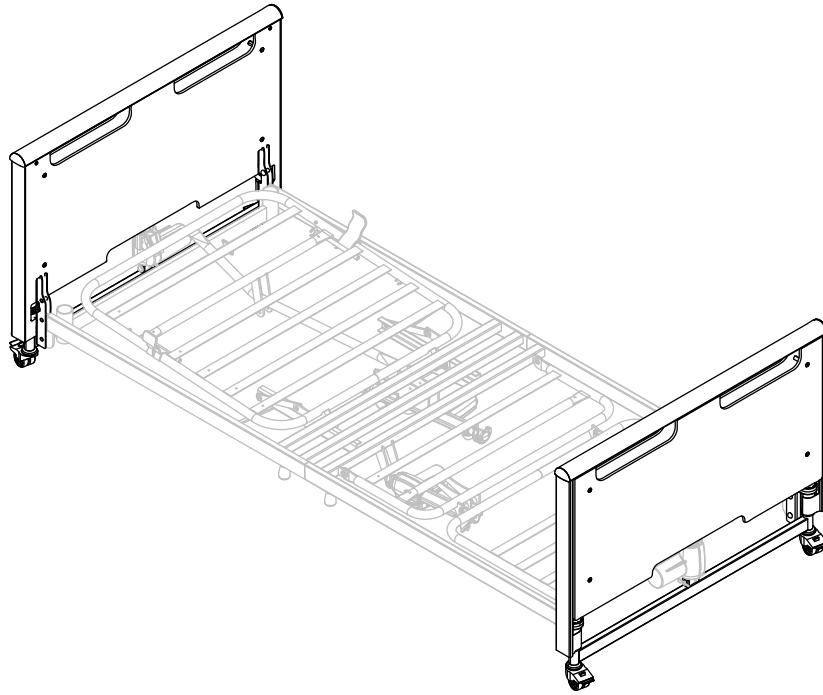
1SPS13514823

Pos.	Part number	Description	Valid from → until	Qty
1	SP1537777	Mattress support complete, head end Auto Regression, RAL7035	2016-04-01 →	1
1	SP1530669	Mattress support complete, head end Auto Regression, RAL0154	→ 2016-03-31	1
2	SP319155-7035	Grey slide shoe		2
3	SP1435195	Kit, rivet replacement (screw and nut)		1
4	SP1587778	Tension rod kit, RAL7035	2016-04-01 →	1
5	SP1587784	Top frame, head with backrest reclining RAL7035 <i>Please order with kit SP1587778 or 2xSP1435195</i>	2016-04-01 →	1
6	SP1587785	Reclining Backrest Auto Regression RAL7035 <i>Please order with kit SP1587778 or 2xSP1435195</i>	2016-04-01 →	1
7	SP1574230	Kit, mattress support Qty.2		2
8	SP1584437	Finger screws M8x13 RAL7035, Qty.2		1
9	SP1584419	Insert tubes, Qty.2		1



Pos.	Part number	Description	Valid from → until	Qty
1	SP1587786	Mattress support, leg end, RAL7035	2016-04-01 →	1
1	SP1584447	Mattress support, leg end, RAL0154	→ 2016-03-31	1
2	SP1435195	Kit, rivet replacement (screw and nut)		1
3	SP1417418	Ratchet and pins kit 4 sections		1
4	SP1587787	Topframe, leg section, RAL7035 <i>Please order with kit SP1435195</i>	2016-04-01 →	1
4	SP1423882	Topframe, leg section, RAL0154 <i>Please order with kit SP1435195</i>	→ 2016-03-31	1
5	SP1587788	Leg section, RAL7035 <i>Please order with kit SP1435195</i>	2016-04-01 →	1
5	SP319114	Leg section, RAL0154 <i>Please order with kit SP1435195</i>	→ 2016-03-31	1
6	SP217996-7035	Handle for leg section RAL7035		1
7	SP1574230	Kit, mattress support Qty.2		2
8	SP1584437	Finger screws M8x13 RAL7035, Qty.2		1

## Bed end for lifting

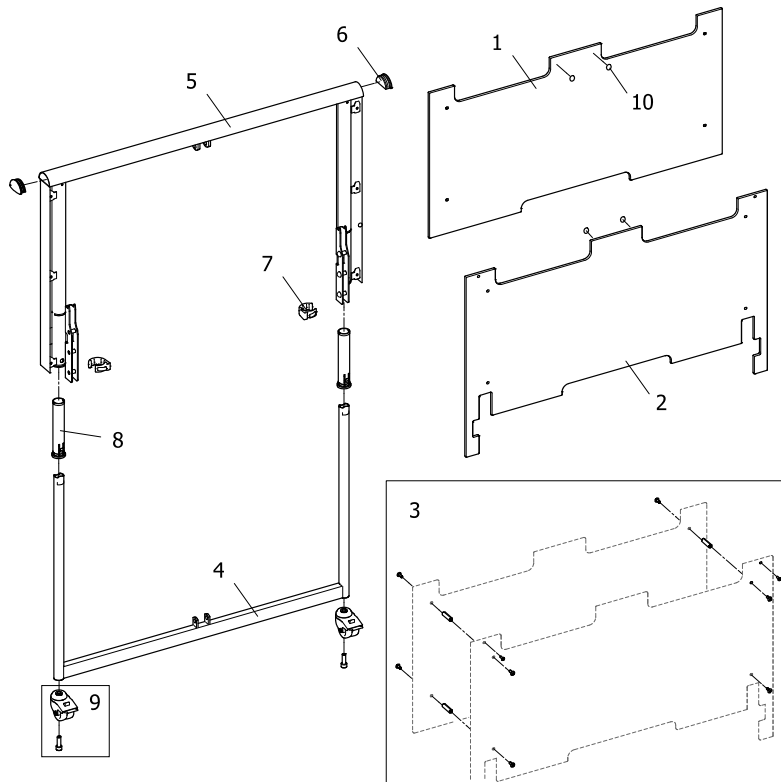


<SPCETUDEPHC41

Pos.	Part number	Description	Valid from → until	Qty
1	-	Bed end		1



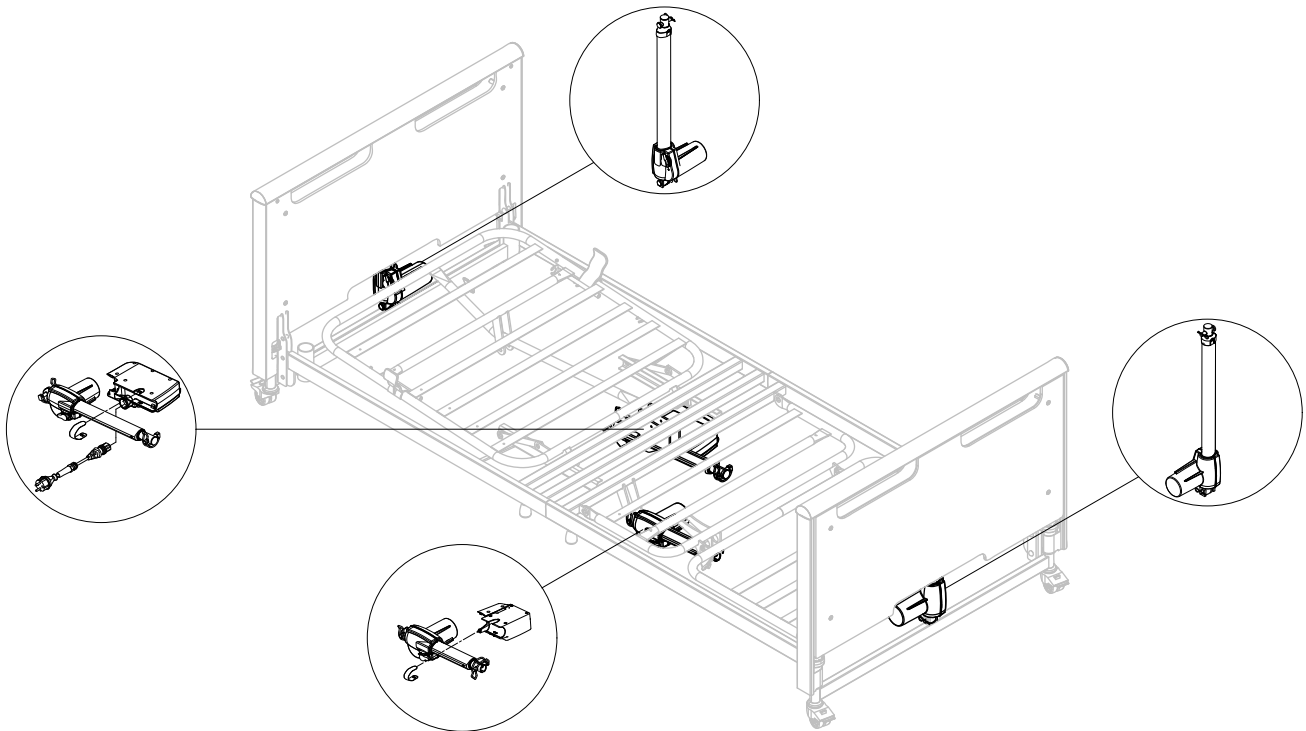
## Bed end



ISPS1654827

Pos.	Part number	Description	Valid from → until	Qty
1	SP1580848	Outer plate, bed end, RAL7035, Etude Plus HC		1
2	SP1580849	Inner plate, bed end, Etude Plus HC		1
3	SP1177554	Wood cover fixation Kit		1
4	SP1587789	Bed end, lower part, Etude Plus HC, RAL7035	2016-04-01 →	1
4				1
5	SP1587790	Bed end, upper part, Etude Plus HC, RAL7035	2016-04-01 →	1
5	SP1580847	Bed end, upper part, Etude Plus HC, RAL0154	→ 2016-03-31	1
6	SP1441400-7035	End plug for Etude Plus		1
7	SP418443-7035	Locking ring Ø52xØ37,5x24		1
8	SP1563579	Top liner kit		1
9	SP1177548	Castor kit, 50mm		2
10	SP806775	Rubber pad		1

## Electrical parts

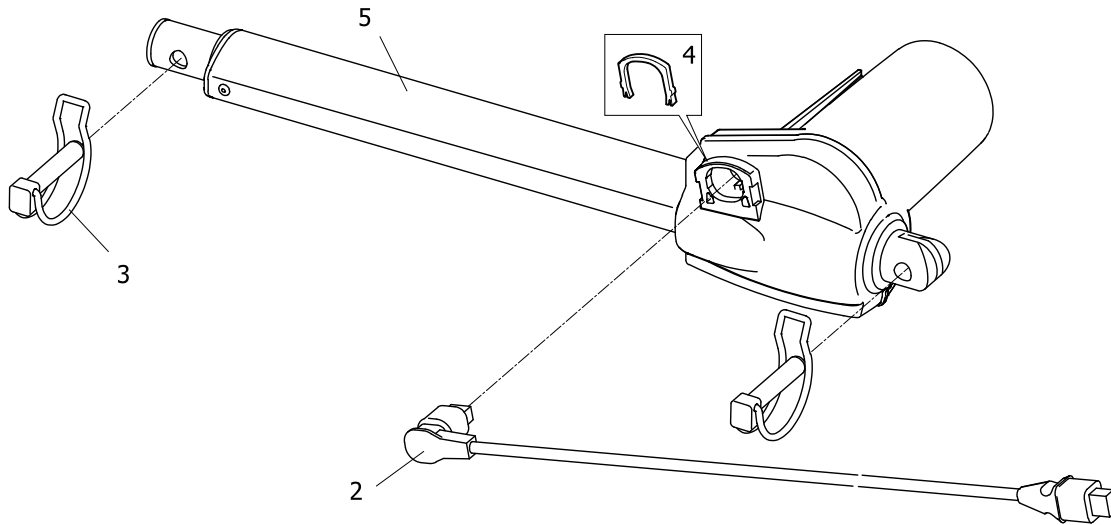


-<SPCETUDEPHC61

Pos.	Part number	Description	Valid from → until	Qty
1	-	Actuator, backrest with Auto Regression		1
2	-	Actuator, leg end		1
3	-	Actuator, bed end lifting		1
4	-	Control unit 120V		1
5	-	Battery, backup		1
6	-	Hand control		1

# Actuator, backrest with Auto Regression

1

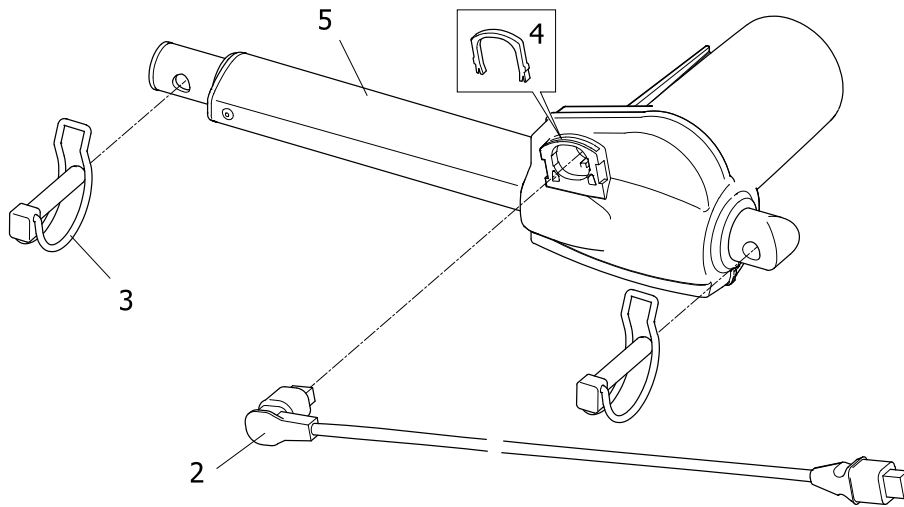


ISPS1584451

Pos.	Part number	Description	Valid from → until	Qty
1	SP1584451	Kit actuator for backrest with Auto Regression		1
2	SP1177403	Motor Cable 320mm	2023-12-18 →	1
2	SP1551455-7035	Cable 200mm, for actuator LA27	→ 2023-12-17	1
3	SP819411	Retaining Pin		1
4	SP1551875	Locking clip for actuator LA27, Qty.10		1
5	SP1531616-7035	Actuator 24V, LA27		1

## Actuator, leg end

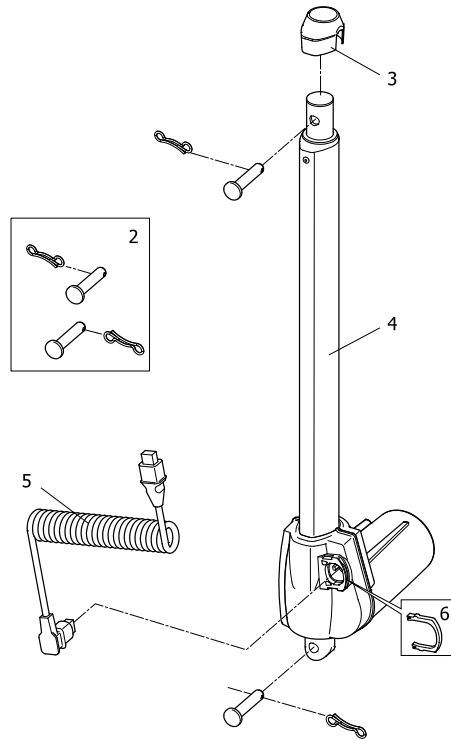
1



ISPS16514829

Pos.	Part number	Description	Valid from → until	Qty
1	SP1552616	Kit actuator leg end		1
2	SP1551457-7035	Cable 1250mm, for actuator LA27		1
3	SP819411	Retaining Pin		1
4	SP1551875	Locking clip for actuator LA27, Qty.10		1
5	SP1551456-7035	Actuator, 24V, LA27		1

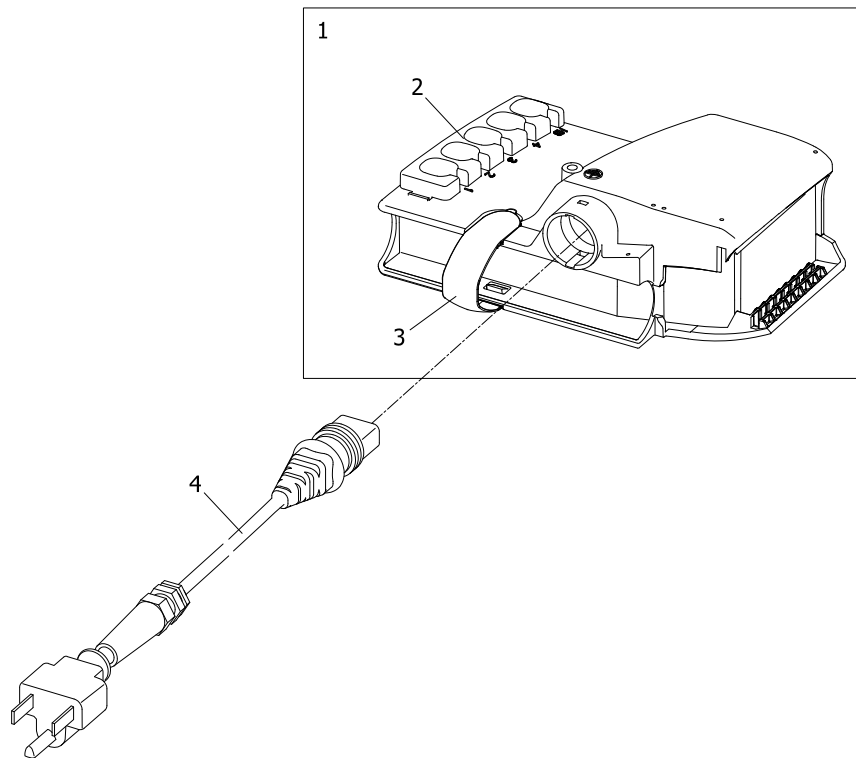
1



ISPS1654830

Pos.	Part number	Description	Valid from → until	Qty
1	SP1552524	Kit bed end actuator 24V, LA27		1
2	SP1584448	Mounting kit, bed end motor		1
3	SP1432760-7035	Plastic cap for LA27		1
4	SP1551452-7035	Actuator, 24V LA27		1
5	SP1551453-7035	Cable 1250+150mm for actuator LA27		1
6	SP1551875	Locking clip for actuator LA27, Qty.10		1

## Control unit 120V

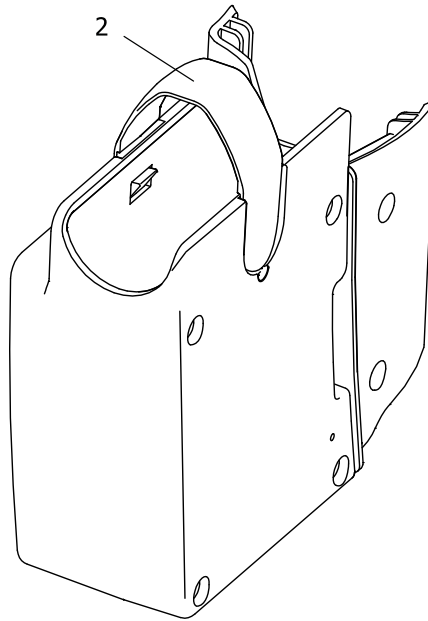


ISPS1654831

Pos.	Part number	Description	Valid from → until	Qty
1	SP1580851	Control unit, CB06 120V		1
2	SP1423968-7035	Locking clip for control unit CB06		1
3	SP1427705-7035	Control Box Retaining Clip		1
4	SP1581605	Cable 120V		1

# Battery, backup

1

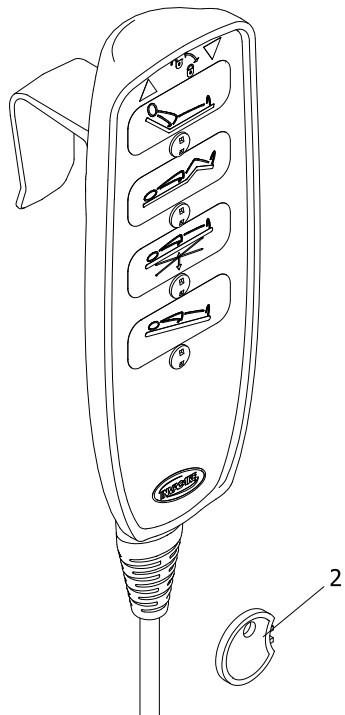


ISPS1491135

Pos.	Part number	Description	Valid from → until	Qty
1	SP1584186	Battery backup, Etude Plus HC		1
2	SP1491150-7035	Locking clips for backup battery CB06, Qty.10		1

# Hand control

1

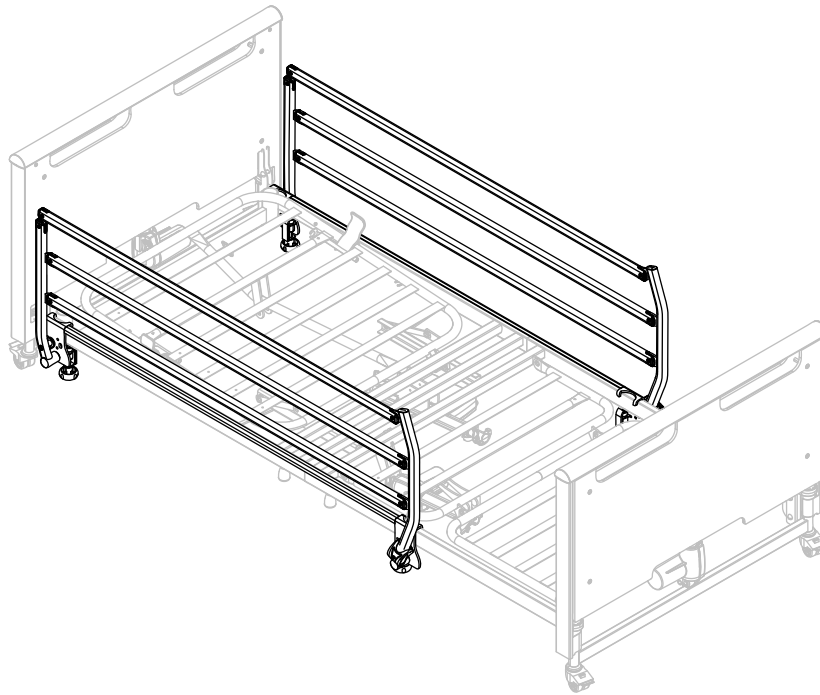


ISPS1654833

Pos.	Part number	Description	Valid from → until	Qty
1	SP1548936-7035	Hand control with locking+TILT, HL84		1
2	SP1493529	Blocking Key for Hand Control, Qty. 10		1



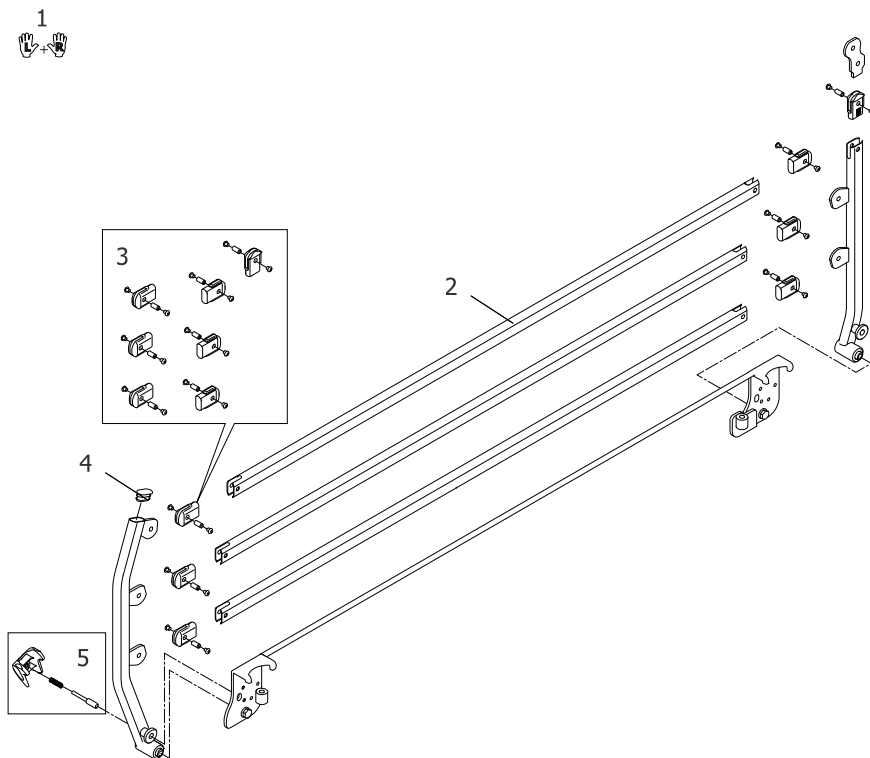
## Side rails



-<SPCETUDEPHC71

Pos.	Part number	Description	Valid from → until	Qty
1	-	Side rail Verso II		1

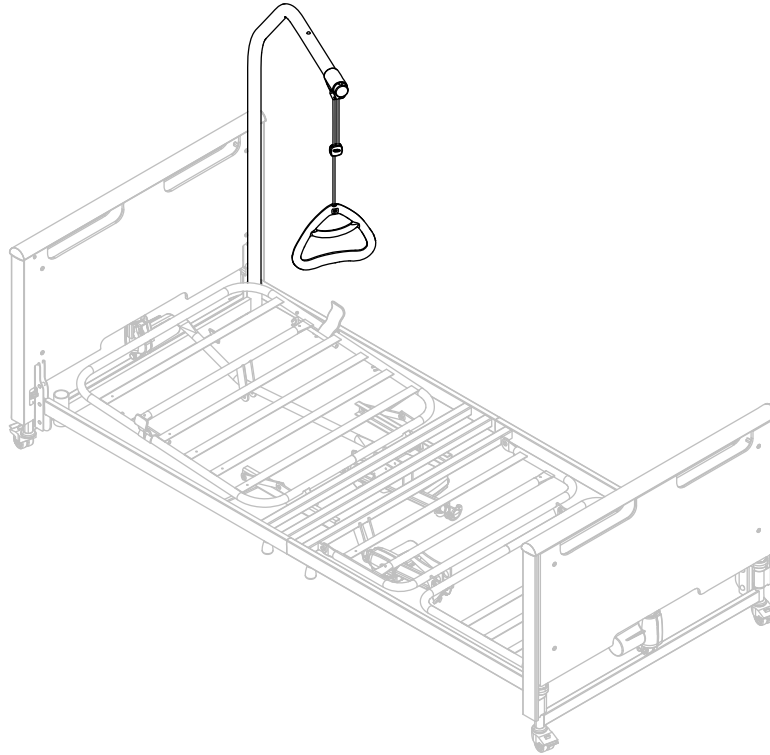
## Side rail Verso II



ISPS1654834

Pos.	Part number	Description	Valid from → until	Qty
1	1581823-7035	Side rail Verso II HC, RAL7035, pair	2016-04-01 →	1
1	1581823-0154	Side rail Verso II HC, RAL0154, pair	→ 2016-03-31	1
2	SP1586037	Oval Bar Verso II RAL7035	2016-04-01 →	1
3	SP1553663	Kit articulations for one side rail		1
4	SP1554056-7035	Oval Plastic cap 36x18x1,5		1
5	SP1553664	Locking system side rail Button + axle + spring		1

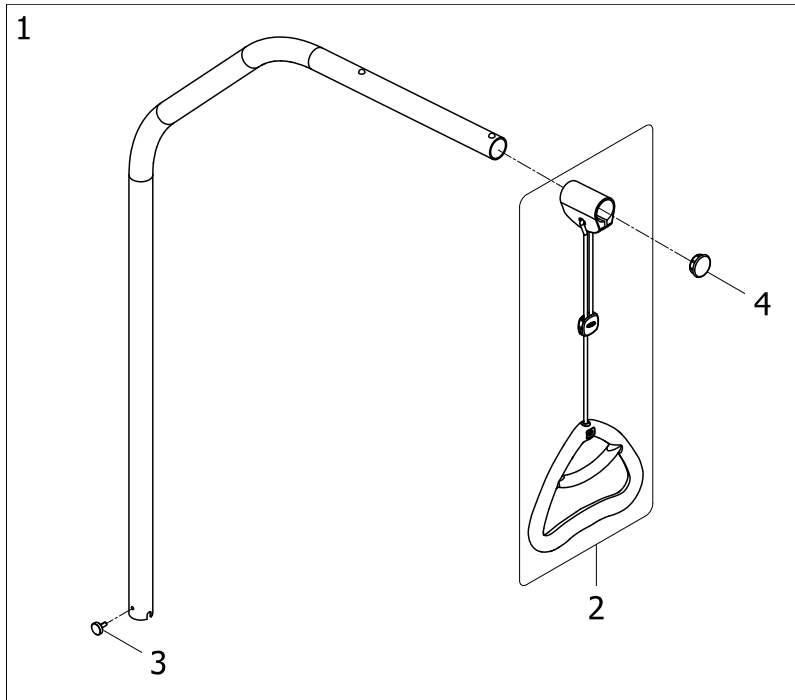
# Lifting pole



-<SPCETUDEPHC81

Pos.	Part number	Description	Valid from → until	Qty
1	-	Lifting Pole		1

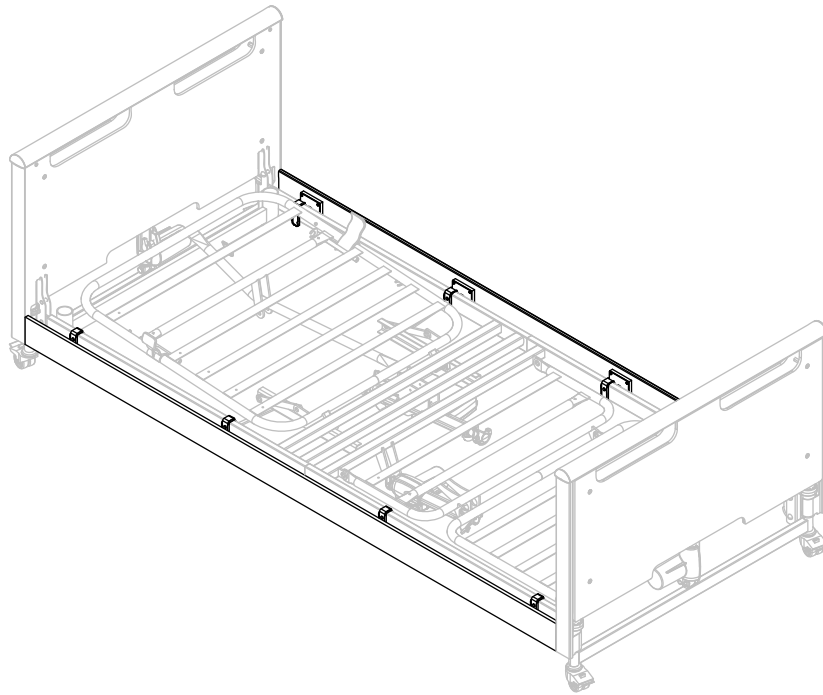
# Lifting Pole



ISPS1568691

Pos.	Part number	Description	Valid from → until	Qty
1	1542093-7035	Lifting Pole, RAL 7035 <i>Includes Lifting Pole Handle And Finger Screws</i>	2015-10-19 →	1
2	SP320597	Lifting Pole Handle with Suspension Kit		1
3	SP803979-7035	Kit, Finger Screw <i>Includes (4) Finger Screws.</i>		1
4	SP817836	Cap for Lifting Pole <i>Includes (2) Caps.</i>		1

Invacare® Etude Plus HC|  
**Spareparts for Accessories**

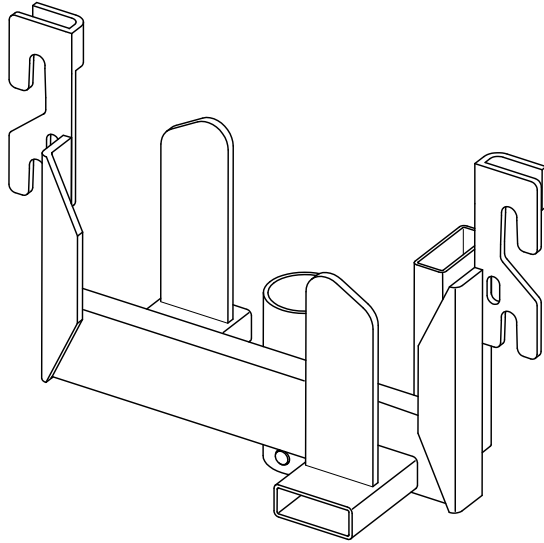


<SPCETUDEPHC91

Pos.	Part number	Description	Valid from → until	Qty
1	-	Transport adaptor		1
2	-	Side panels		1

# Transport adaptor

1

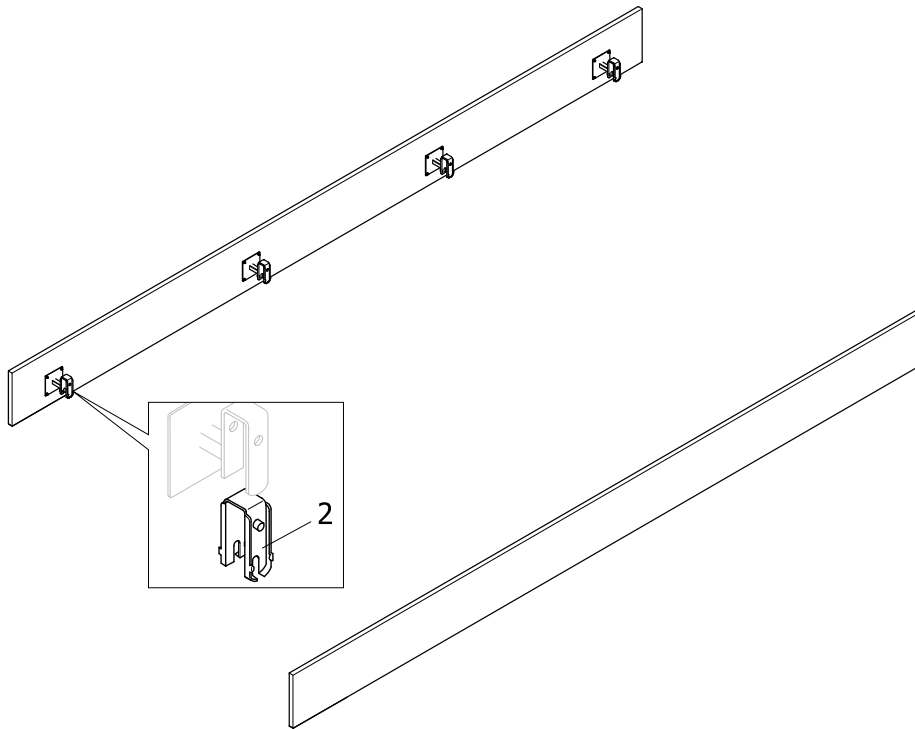


ISP51654865

Pos.	Part number	Description	Valid from → until	Qty
1	1543779-7035	Etude Plus transport adaptor, RAL7035, Qty.2	2016-04-01 →	1
1	1543779-0154	Etude Plus transport adaptor, RAL0154, Qty.2	→ 2016-03-31	1

## Side panels

1



ISPS1654837

Pos.	Part number	Description	Valid from → until	Qty
1	1587870-0101	Wooden side panels, beech, pair	2016-04-01 →	1
1	1582716-0101	Wooden side panels, beech, pair	→ 2016-03-31	1
2	SP421843-7035	Plastic insert, Qty.4		1



Yes, you can.®



---

**Belgium & Luxemburg:**

Invacare nv, Autobaan 22, B-8210 Loppem  
Tel: (32) (0)50 83 10 10, Fax: (32) (0)50 83 10 11  
marketingbelgium@invacare.com / www.invacare.be

**Denmark:**

Invacare A/S, Sdr. Ringvej 37, DK-2605 Brøndby  
Tel: (45) (0)36 90 00 00  
denmark@invacare.com / www.invacare.dk

**Deutschland:**

Invacare GmbH, Am Achener Hof 8, D-88316 Isny  
Tel: (49) (0)7562 700 0  
kontakt@invacare.com / www.invacare.de

**EU Export:**

Invacare Poirier SAS, Route de St Roch, F-37230 Fondettes  
Tel: (33) (0)2 47 62 64 66  
eu-export@invacare.com / www.invacare.eu.com

**España:**

Invacare SA, Avenida del Oeste N°50, 1° 1ª, Valencia, CP: 46001  
Tel: (34) (0)972 49 32 14  
contactsp@invacare.com / www.invacare.es

**France:**

Invacare Poirier SAS, Route de St Roch, F-37230 Fondettes  
Tel: (33) (0)2 47 62 64 66  
contactfr@invacare.com / www.invacare.fr

**Italia:**

Invacare Mecc San s.r.l., Via Marco Corner 19, I-36016 Thiene (VI)  
Tel: (39) 0445 38 00 59  
servizioclienti@invacare.com / www.invacare.it

**Nederland:**

Invacare B.V., Galvanistraat 14-3, 6716 AE Ede  
Tel: (31) (0)318 695 757  
nederland@invacare.com / www.invacare.nl

**Norge:**

Invacare AS, Brynsveien 16, N0667 Oslo  
Tel: (47) 22 57 95 00  
norway@invacare.com / www.invacare.no

**Österreich:**

Invacare Austria GmbH, Herzog Odilostrasse 101, A-5310 Mondsee  
Tel: (43) 6232 5535 0, Fax: (43) 6232 5535 4  
info-austria@invacare.com / www.invacare.at

**Portugal:**

Invacare Lda, Rua Estrada Velha, 949, P-4465-784 Leça do Balio  
Tel: (+351) 225 193 360  
marketing.pt@invacare.com / www.invacare.pt

**Sverige & Suomi:**

Invacare AB, Fagerstagatan 9, S-163 91 Spånga  
Tel: (46) (0)8 761 70 90, Fax: (46) (0)8 761 81 08  
sweden@invacare.com / www.invacare.se

**Switzerland:**

Neuhofweg 51, 4147 Aesch BL  
Tel: (41) (0)61 487 70 80, Fax: (41) (0)61 487 70 81  
switzerland@invacare.com / www.invacare.ch

**United Kingdom:**

Invacare Limited, Unit 4, Pencoed Technology Park, Bridgend CF35 5AQ  
Switchboard Tel: (44) (0)1656 776200  
Customer services Tel: (44) (0)1656 776222  
csmobilityuk@invacare.com  
csifstyleuk@invacare.com  
uk@invacare.com / www.invacare.co.uk