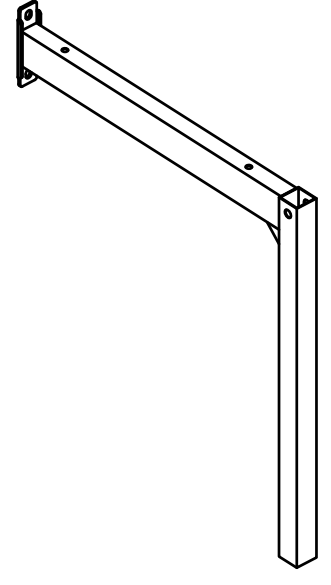


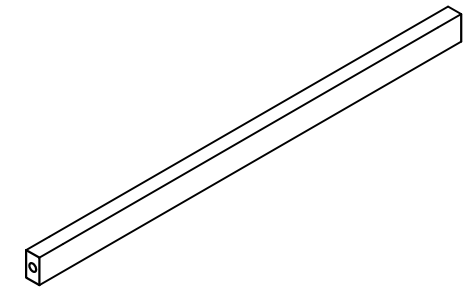
ASSEMBLY INSTRUCTION

695 5PC PACK DINETTE SET

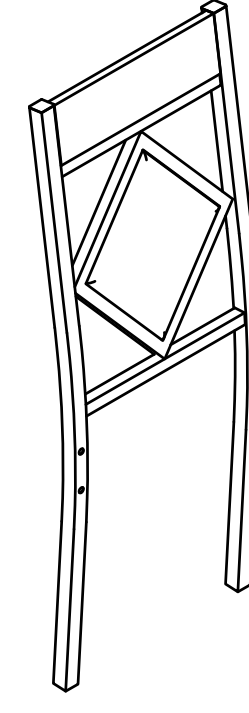
A Side Frame



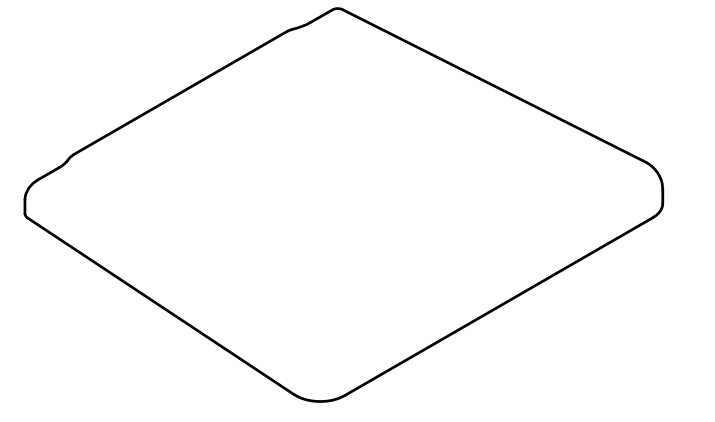
B Front Rail



C Chair Back

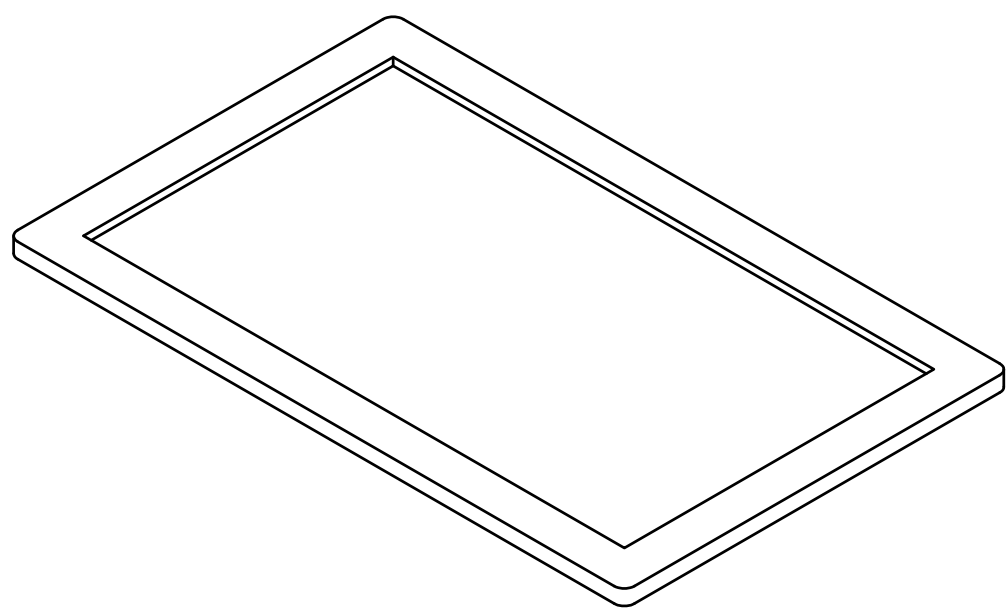


D Seat Cushion



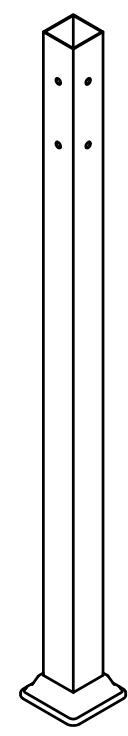
8PCS

E Table Top



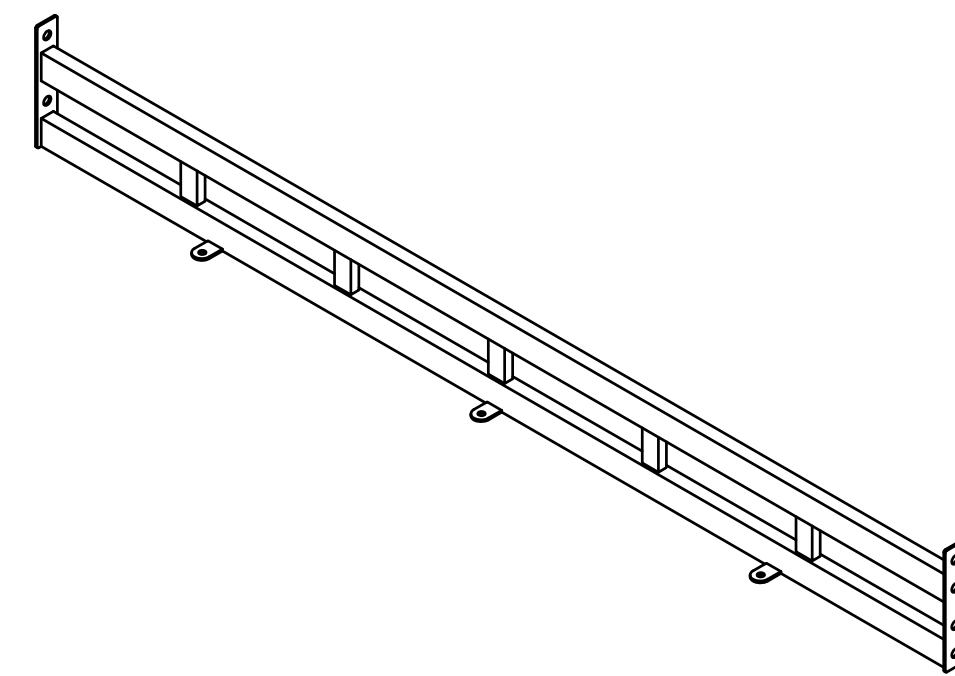
4PCS

F Table Leg



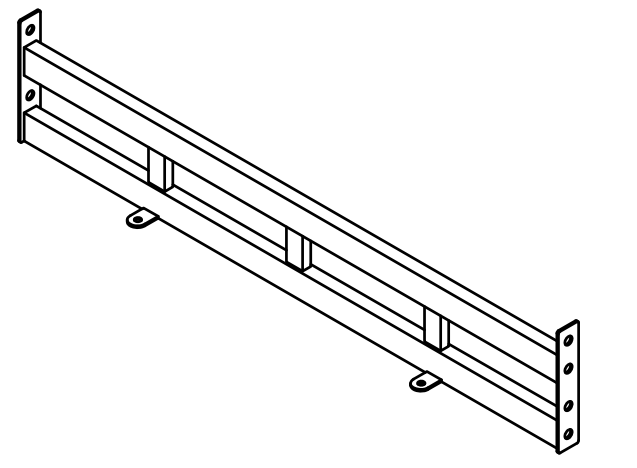
4PCS

G Long Apron



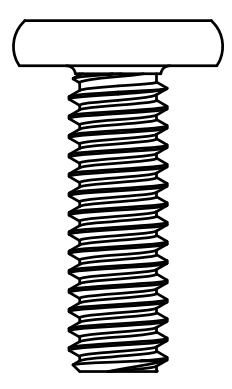
4PCS

H Short Apron



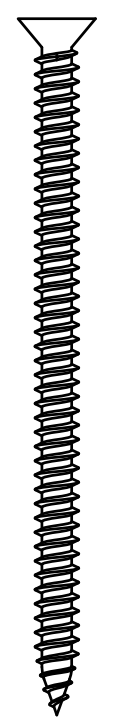
1PC

I Bolt
1/4"*16mm



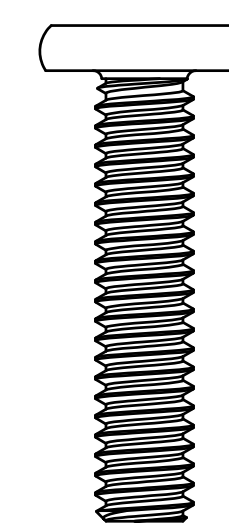
4PCS

J Bolt
M5*58mm



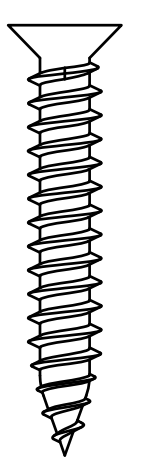
2PCS

K Bolt
1/4"*43mm



2PCS

L Bolt
M5*20mm



32PCS

M L-Allen Key
4mm

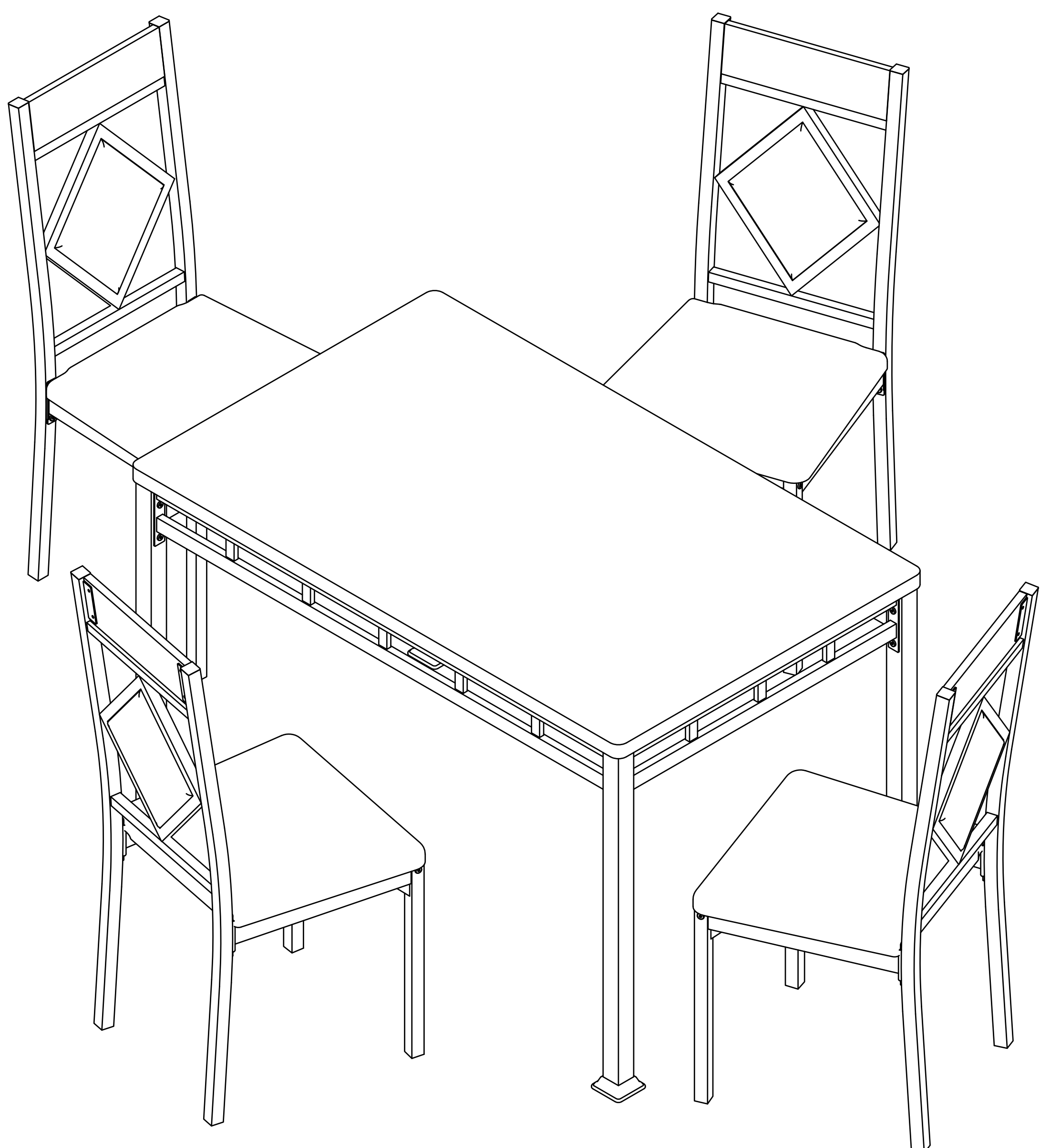


16PCS

8PCS

10PCS

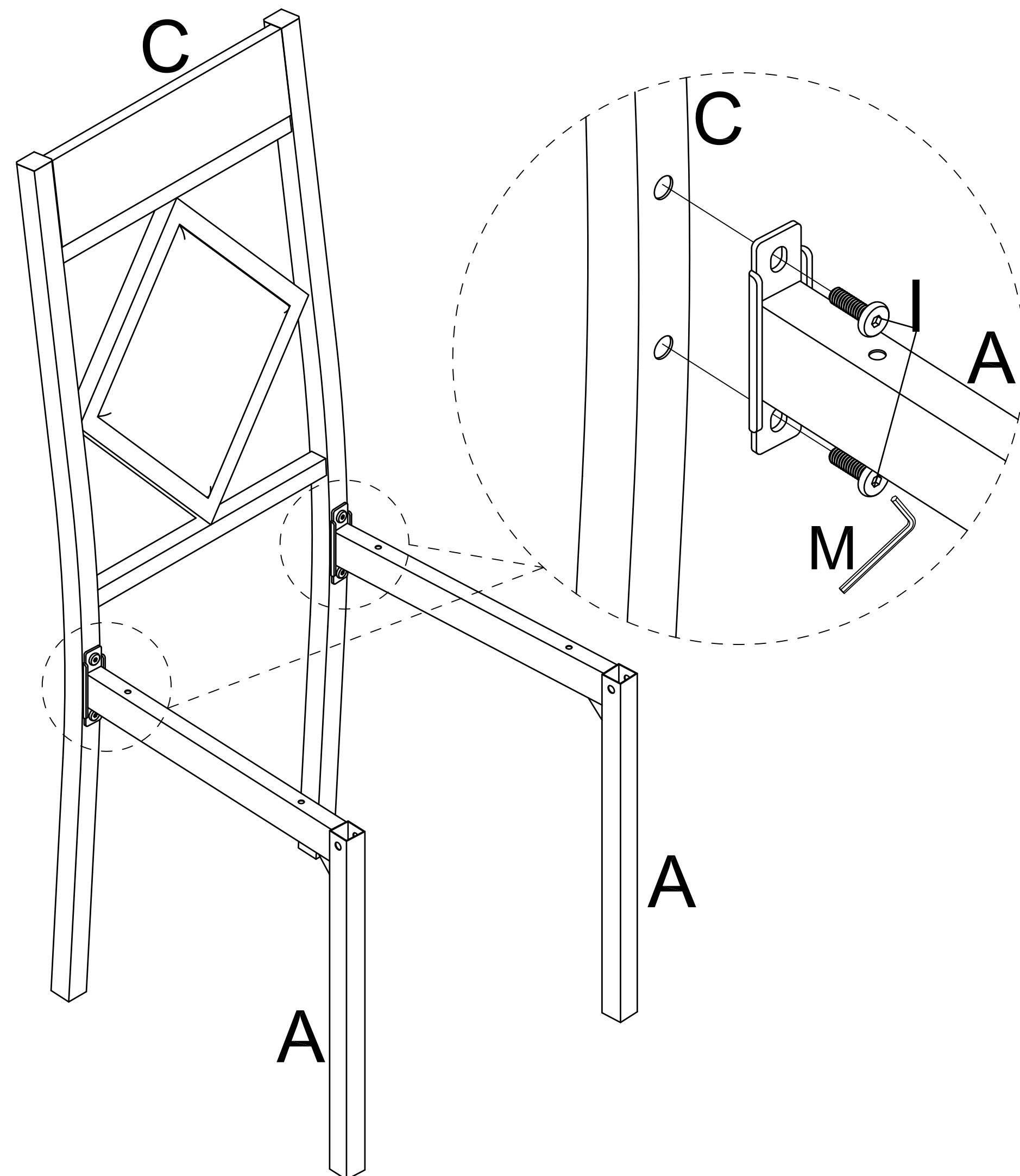
1PC



This page lists all the contents included in the box. Please take the time to identify the hardware as well as the individual components to this product. As you unpack and prepare for assembly, place the contents on a carpeted or padded area to protect them from damage.

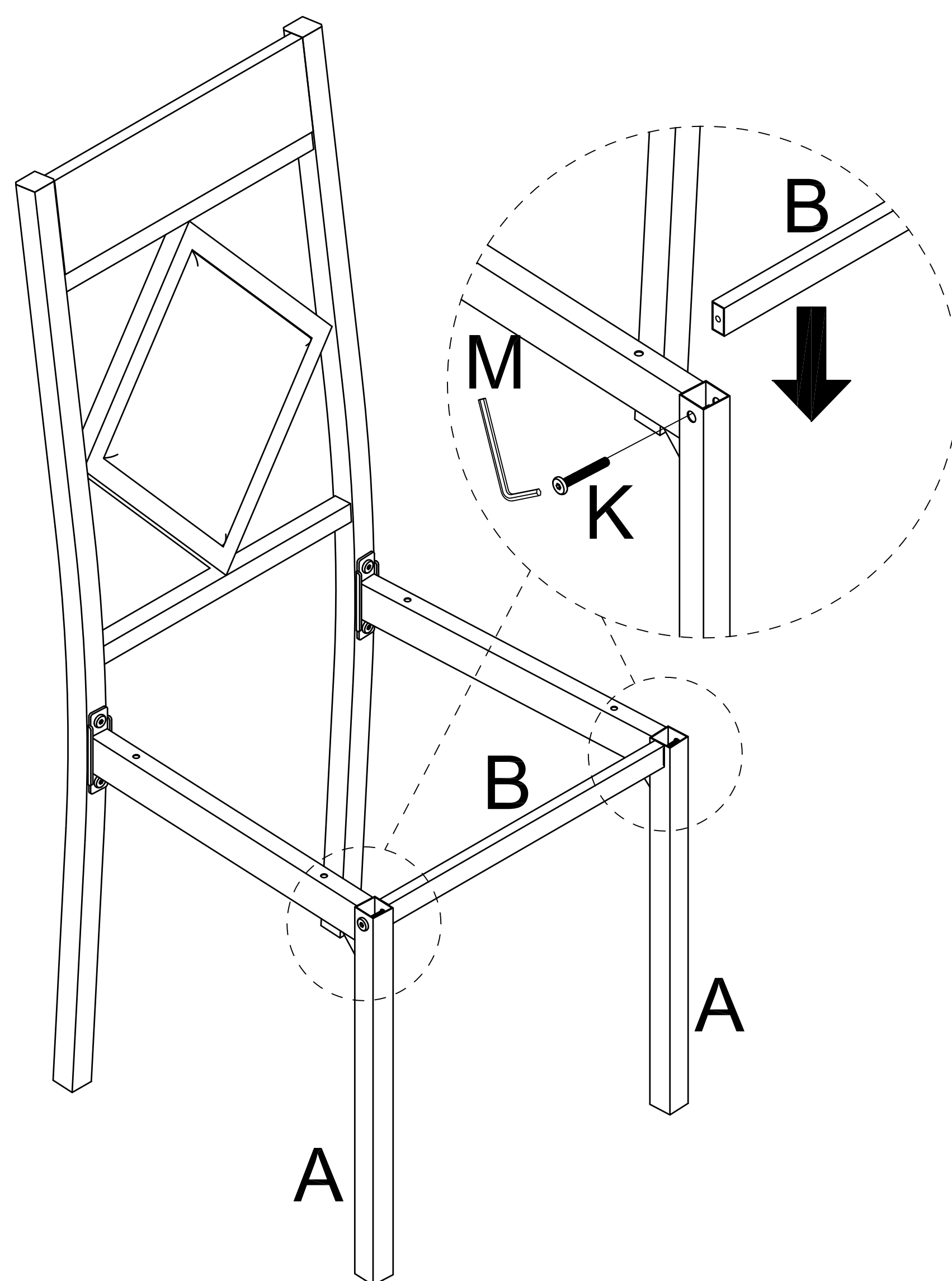
SIDE CHAIR

- 1** Attach the Side Frame (A) to the Chair Back (C), insert the Bolt (I), turn the L-Allen Key (M) to tighten them.

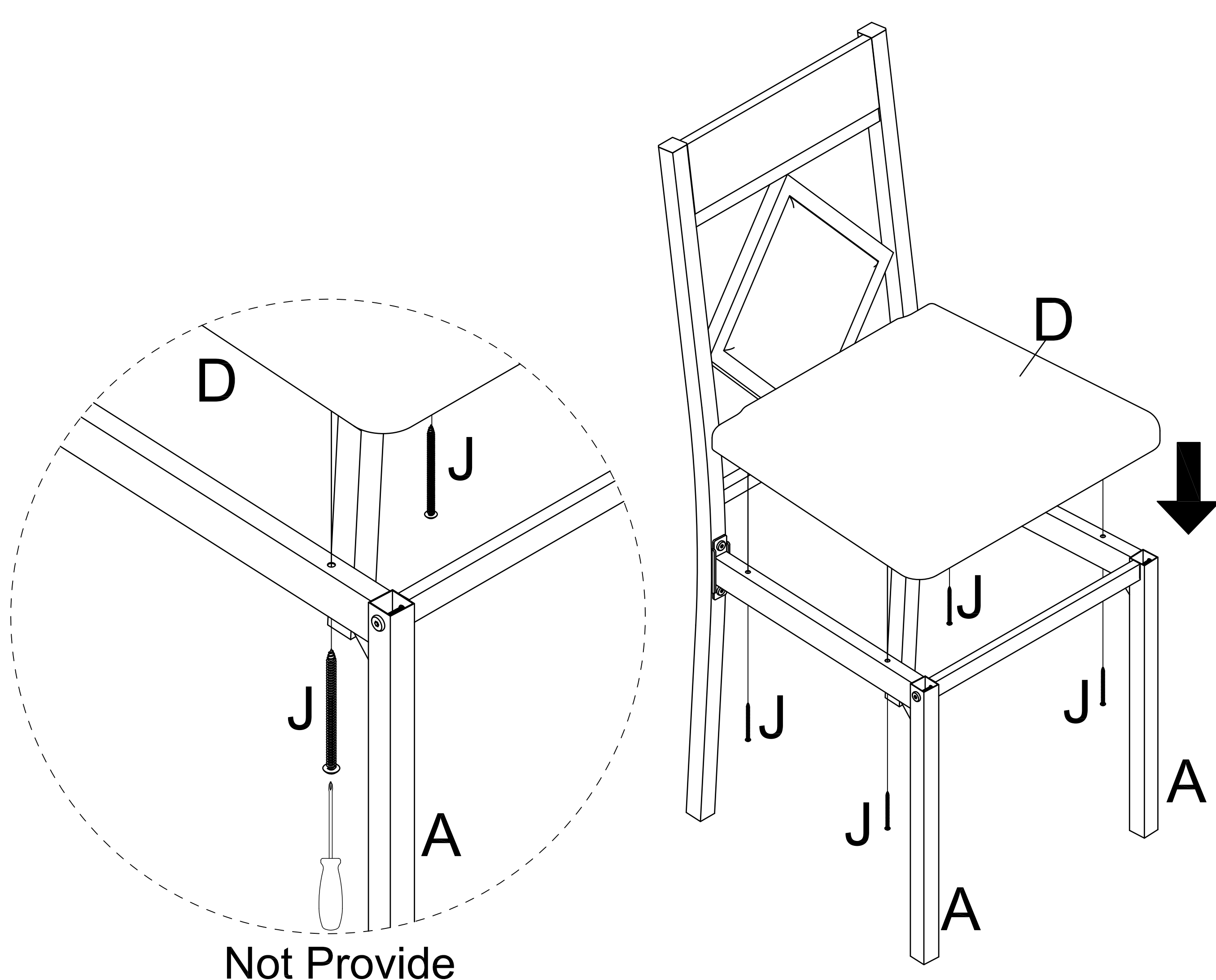


Take the Allen Key, and turn the bolts until the legs are secure. **DO NOT TIGHTEN COMPLETELY.** Stop when you feel you are adding force to tighten the bolts.

- 2** Attach the Front Rail (B) to the Side Frame (A), insert the Bolt (K), turn the L-Allen Key (M) to tighten them.



- 3** Attach the Seat Cushion (D) to the seat, insert the Bolt (J) to tighten them.



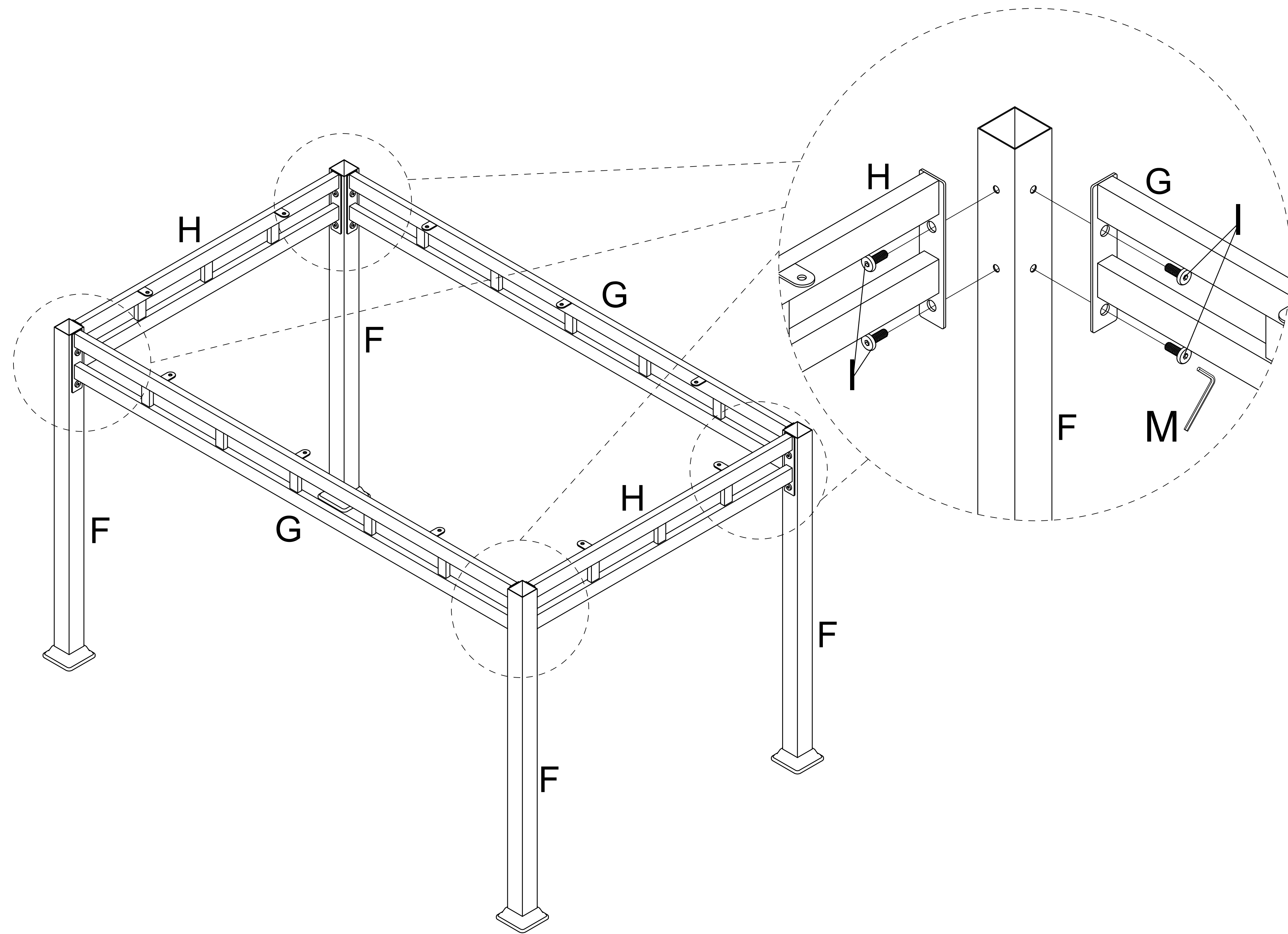
Stand chair up on an even surface and check that it is balanced. If there is a slight wobble, apply downward pressure in the corner where a leg is uneven. Keeping pressure in that corner, tighten all bolts. If balanced, apply downward pressure evenly in the center and tighten all bolts. Do not over-tighten beyond hole depth.

Helpful Tip:

-Instead of applying downward pressure while reaching under to tighten bolts, have someone sit in the chair while you tighten the bolts.

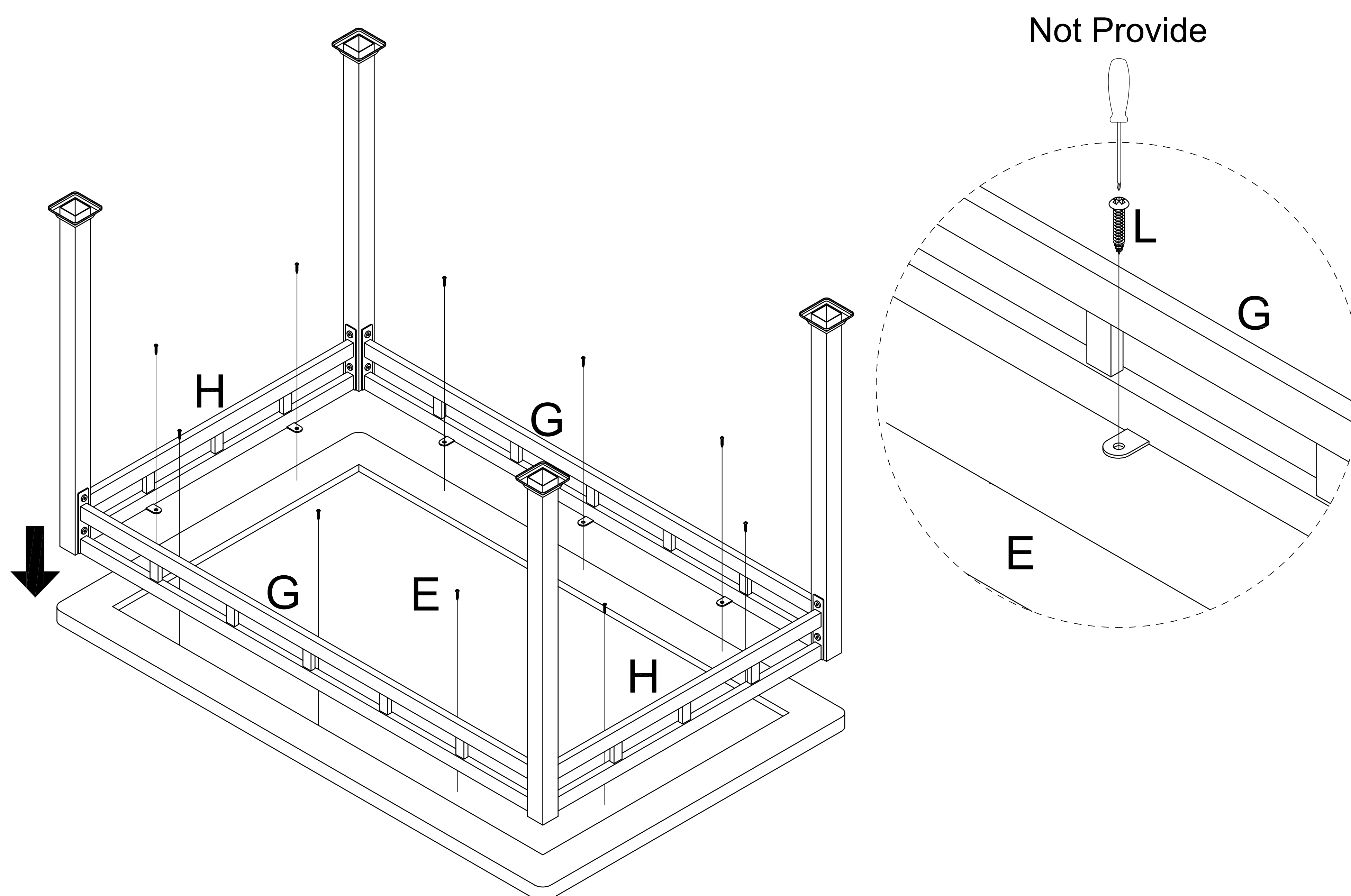
4

Attach the Table Leg (F) to the Long Apron (G) and Short Apron (H), insert the Bolt (I), turn the L-Allen Key (M) to tighten them.



5

Place the Table Top (E) on the smooth and stable carpeted or padded surface. Tighten attached table frame to Table Top (E) with Bolt (L).



Cleaning & Care

Treat surface with care. Surface is resistant to scratches but is not scratch resistant. Clean surfaces with a dry or damp soft cloth. Do not use abrasive cleaners. Hardware may loosen over time. Periodically check that all connections are tight.