

DRD2

2" Recessed LED Downlight

Product Description

The DRD2 LED Downlight allows you to bring general ambient lighting into a space with a very small, architectural exposure. The high performing light engine with off-board driver allows for more flexible installations and increased lifetime with improved thermal management. The DRD fixture uses a plenum-rated cable connector to link the downlight module to the remote driver box and then pops into place with its adjustable, spring-loaded retention tabs for a secure fit, eliminating the need for a J-box or recessed housing. Adding ambient or accent lighting in areas such as living rooms, hallways, art niches and display cases is now easier than ever.

Construction

- Cast aluminum trim routes heat away from electrical components
- Adjustable, spring loaded retention tabs ensure secure fixture retention
- Certified for direct contact with insulation

Optical System

- COB with greater than 90 CRI and an R9 greater than 50
- TIR optic provides smooth, uniform light with a 38° beam angle

Electrical

- Off-board driver minimizes installation height and maximizes fixture life through improved heat management
- 120V input to driver
- Dimmable to less than 5% with compatible TRIAC dimmers
- Operating temperature rating of 0°F to 120°F (-18°C to 49°C)
- Lifetime rated for greater than 60,000 hours
- LM-79, LM-80 testing performed in accordance with IESNA standards

Finish

- White powder coat finish

Installation

- Spring loaded retention arms allow for easy installation with no need for a recessed housing
- Off-board driver/junction box includes three 1/2" KO's and three-port poke-in connectors
- Extension power cables (2', 10', 20') available
- Suitable for damp locations

Warranty

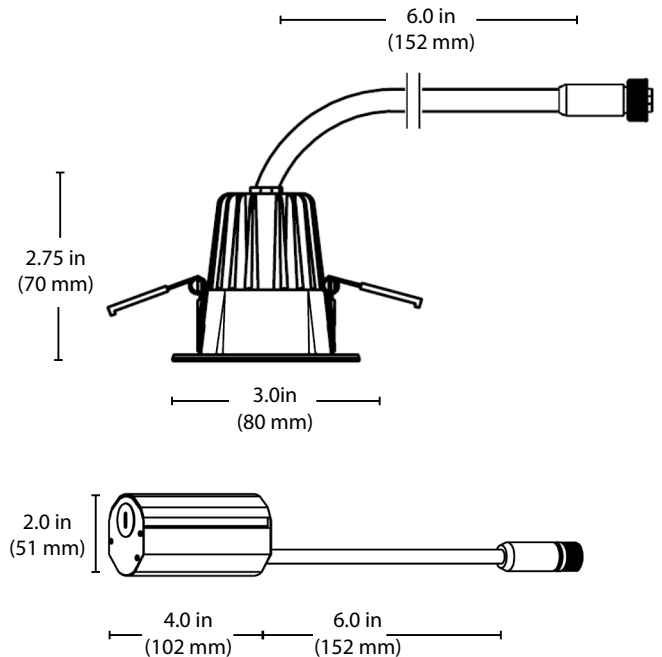
- 5-year limited system warranty standard
- Warranty does not cover product failure due to an overvoltage event (power surge)
- For installations where power surge may be possible, NICOR recommends installing additional surge protection at the electrical distribution panel

Project _____

Catalog _____

Type _____

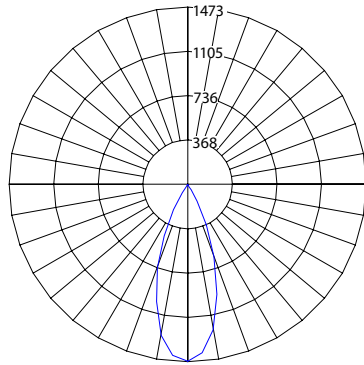
Date _____



Photometric Data

DRD2 2700K

Input Voltage (VAC)	120V
System Level Power (W)	8.1
Delivered Lumens (Lm)	626
System Efficacy (Lm/W)	77.3
Correlated Color Temp (K)	2718
Color Rendering Index (CRI)	93
Beam Angle	38°
Spacing Criteria	0.62



Intensity Summary (Candle Power)

Angle	Mean CP
0	1473
5	1417
15	988
25	379
35	51.4
45	6.4
55	4.7
65	2.8
75	1.4
85	0.2
90	0.0

CCT Data Multiplier

DRD211203KWH	1.029
DRD211204KWH	1.056
DRD211205KWH	1.078

Cone of Light Tabulation

Mounted height (Feet)	Footcandles Beam Center	Diameter (Feet)
4	92.0	2.8
6	40.9	4.1
8	23.0	5.5
10	14.7	6.9
12	10.2	8.3
14	7.5	9.6
16	5.8	11.0

Zonal Lumen Summary

Zone	Lumens	% of Luminaire
0-30	574	91.6%
0-40	612	97.7%
0-60	622	99.3%
0-90	626	100.0%
90-180	0	0.0%
0-180	626	100.0%

Fixture tested per LM-79-08. Photometric data is of the performance of a representative fixture. Results may vary in the field.

Performance Data

Model Number	Lumens	Watts	Lumens/Watt
DRD211202KWH	626	8.1	77.3
DRD211203KWH	645	8.1	79.6
DRD211204KWH	662	8.1	81.7
DRD211205KWH	675	8.1	83.4

Recommended Dimmers*

Legrand Adorne softTap ADT703TU703TU
Lutron DIVA DVELV-303P
Lutron RADIO RA RRD-6CL
Lutron Skylark SELV-300P
LEVITON C22-06672-1LW

*Not a complete list. Check compatibility before installation.

Housing Compatibility*

12200A-LED	2" LED IC/AT NEW CONSTRUCTION HOUSING
12201-LED-ICAT	2" LED NEW CONSTRUCTION HOUSING
12202R-LED-ICAT	2" LED REMODEL HOUSING
12300A-LED	2" 120-277V LED IC/AT NEW CONS. HOUSING

Ordering Information

Example: DRD211203KWH

Series	Version	Voltage	CCT's	Trim Color
DRD2	1 (Version 1)	120 (120V)	2K (2700 K)	WH (White)
			3K (3000 K)	
			4K (4000 K)	

Specifications and dimensions subject to change without notice.

Accessories

2" Rough In Template	ROUGHIN-TEMPLATE-2
24" Extension Cable	DLE-EXTCABLE-24
10' Extension Cable	DRIVER-EXTCABLE-10
20' Extension Cable	DRIVER-EXTCABLE-20