



BEST CHOICE
PRODUCTS



INSTRUCTION MANUAL

Plastic Water & Sand Table
with Umbrella



**BEST CHOICE
PRODUCTS**

As shoppers, we're always trying to find the perfect balance between quality & value. At BCP, we believe we've achieved that. Our diverse catalog of everyday essentials is tailored especially to our customers & guaranteed to hit that sweet spot of high quality & low price.

— Always. —

⚠ WARNING

ADULT ASSEMBLY REQUIRED



AGE RANGE:
3 - 7 YEARS OLD



1 PERSON
ASSEMBLY



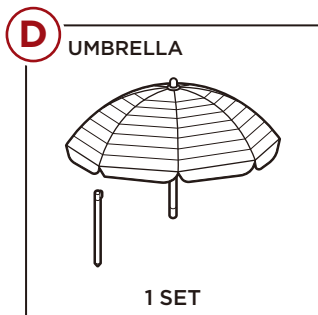
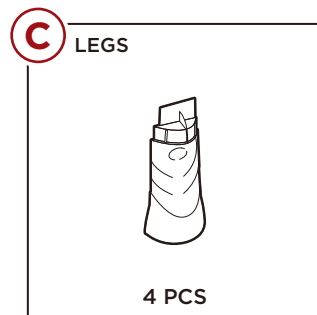
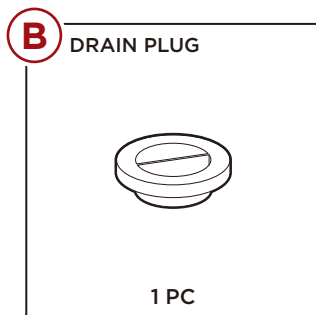
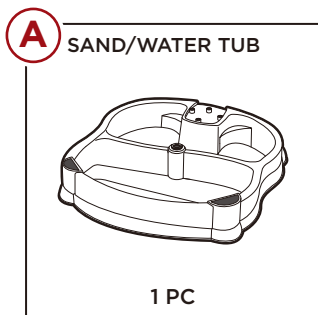
UP TO 15 MIN.
ASSEMBLY

! NOTICE

Please retain these instructions for future reference.

- This product requires adult assembly and supervision when in use.
- Please read all instructions before attempting to install or assemble this item. Assembly should be done by adults only.
- Please do not exceed the weight limitations of this item.
- Do not stand on or use any part of this item as a step ladder.
- Reconfirm that all structural pieces are secure every 90 days.
- Do not use or store this item in the proximity of open flame or flammable/combustible chemicals.
- Be aware that some parts press together, take care during assembly to keep fingers, hair, and loose clothing clear of the connection points.
- If any parts are missing, broken, damaged, or worn, stop using this product until repairs are made and/or factory replacement parts are installed.
- Do not use this item in a way inconsistent with the manufacturer's instructions as this could void the product warranty.
- This product is intended for residential use only.

PARTS



ACCESSORIES

1

SHOVEL



1 PC

2

RAKE



1 PC

3

SAILBOAT
(WATER)



1 PC

4

SAILBOAT
(SAND)



1 PC

5

TUG BOAT



1 PC

6

HELICOPTER



1 PC

7

SHELL CUP



1 PC

8

BUCKET



1 PC

9

TOWER BASE



1 PC

10

SLIDE



1 PC

11

LARGE WATER
WHEEL



1 PC

12

LARGE WATER
WHEEL
HOLDER



1 PC

13

TOWER
BUCKET



1 PC

14

WATERING
CAN



1 PC

15

TRIPLE WATER
WHEEL



1 PC

16

SMALL WATER
WHEEL



1 PC

17

SMALL
BUCKET



1 PC

18

CORNER
PIECES

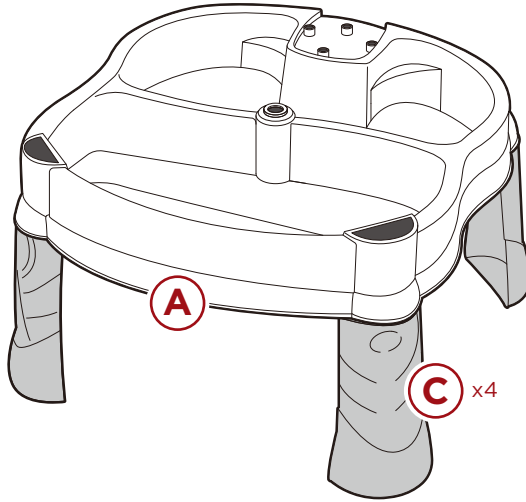


2 PCS

PRODUCT ASSEMBLY

1

Insert four **part C legs** into the bottom of the **part A sand/water tub**, press until secure.

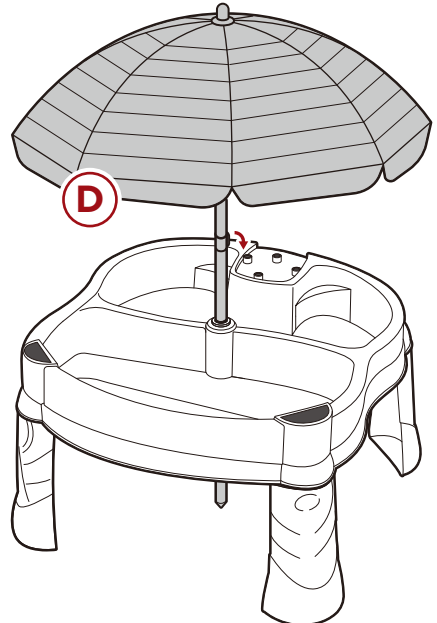
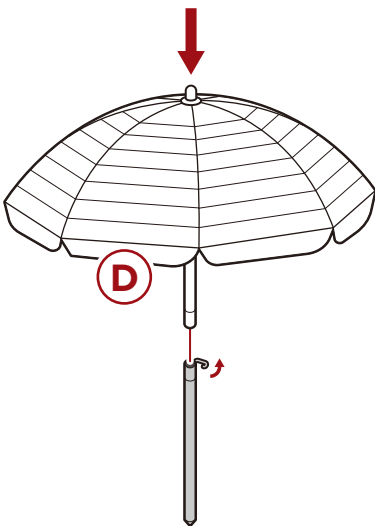


2

Locate both halves of the **part D umbrella**, lift the lever on the lower section, then insert the top/canopy section into the opening.

Lower the lever to secure the canopy, then insert the assembled umbrella into the opening in the center of the **part A sand/water tub**.

Open the **part D umbrella** by pushing the canopy upward until you hear an audible click.

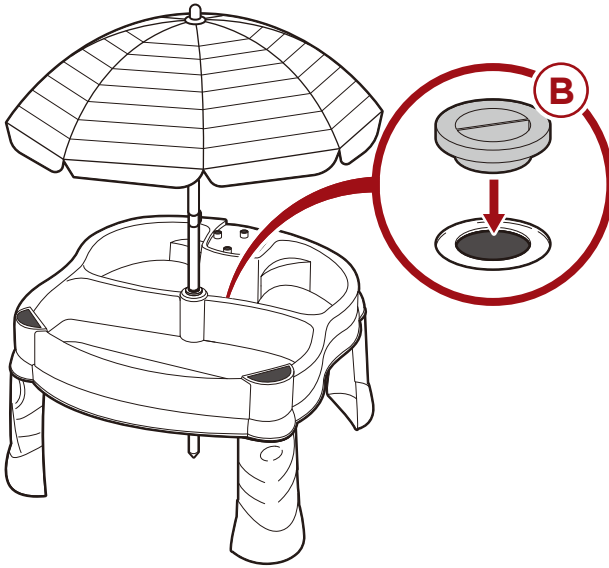


NOTE: Please add minimum insertion depth (2.5 in) of top section into the lower section.

PRODUCT ASSEMBLY

3

Insert the **part B drain plug** into the hole on the water side of the **part A sand/water tub**.

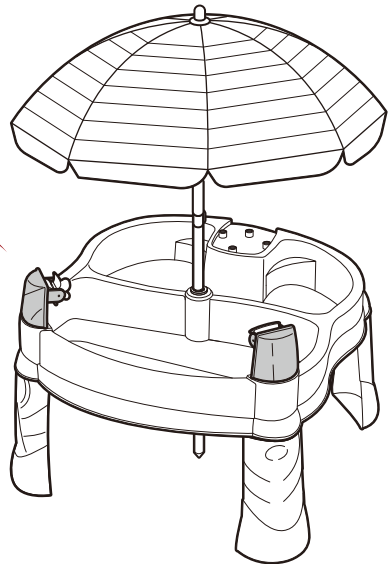
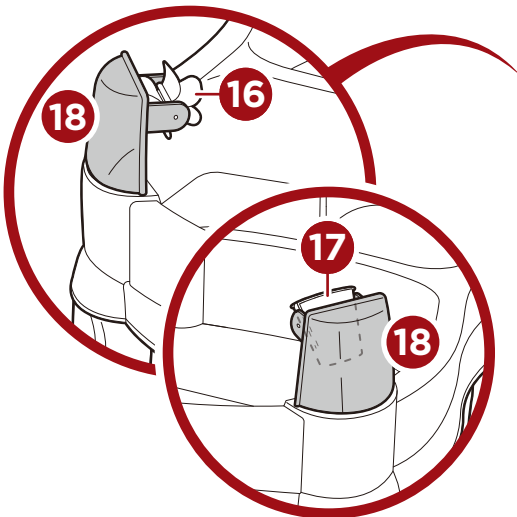


4

Insert the **part 16 small water wheel** into one **part 18 corner piece**.

Insert the **part 17 small bucket** into one **part 18 corner piece**.

Insert the assembled corner pieces into the corners of the **part A sand/water tub**.



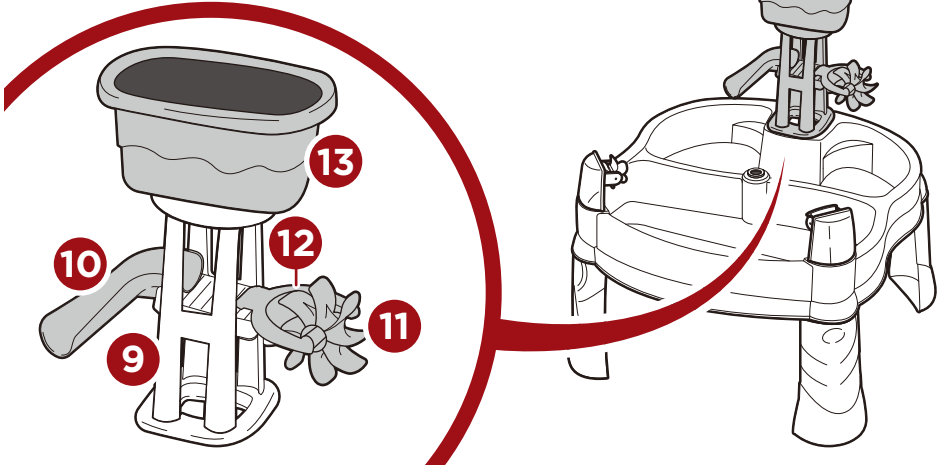
PRODUCT ASSEMBLY

5

Insert the **part 11 large water wheel** into the **part 12 large water wheel holder**, place the assembled water wheel into the **part 9 tower base**.

Attach the **part 10 slide** and **part 13 tower bucket** to the **part 9 tower base**.

Attach the assembled tower to the designated space on the **part A sand/water tub**.



6

Fill the tub with sand or water and use the remaining **accessories** as desired.

NOTE: This product is intended for children; please use only play-grade sand when in use.





HELP CENTER



Question about your product? We're here to help. Visit us at:

help.bestchoiceproducts.com



Chat Support



Product Inquiry



Orders FAQ



Product Assembly



Returns & Refunds

PRODUCT WARRANTY INFORMATION

All items can be returned for any reason within 60 days of the receipt and will receive a full refund as long as the item is returned in its original product packaging and all accessories from its original shipment are included. All returned items will receive a full refund back to the original payment method. All returned items will not be charged a re-stocking fee.

All returned items require an RA (Return Authorization) number, which can only be provided by a Best Choice Products Customer Service Representative when the return request is submitted. Items received without an RA may not be accepted or may increase your return processing time. Once an item has been received by Best Choice Products, refunds or replacements will be processed within 5 business days.

All returns must be shipped back to the Best Choice Products Return Center at the customer's expense. If the reason for return is a result of an error by Best Choice Products then Best Choice Products will provide a pre-paid shipping label via email. Boxes for return shipping will not be provided by Best Choice Products, and is the customer's responsibility to either use the original shipping boxes or purchase new boxes.

Pictures may be required for some returns to ensure an item is not damaged prior to its return. Items returned are not considered undamaged until they are received by Best Choice Products and verified as such. All damages to items are the customer's responsibility until the item has been received by and acknowledge by Best Choice Products as undamaged.

WARNING

Manufacturer and seller expressly disclaim any and all liability for personal injury, property damage or loss, whether direct, indirect, or incidental, resulting from the incorrect attachment, improper use, inadequate maintenance, unapproved modification, or neglect of this product.