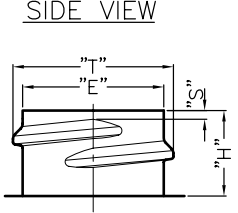
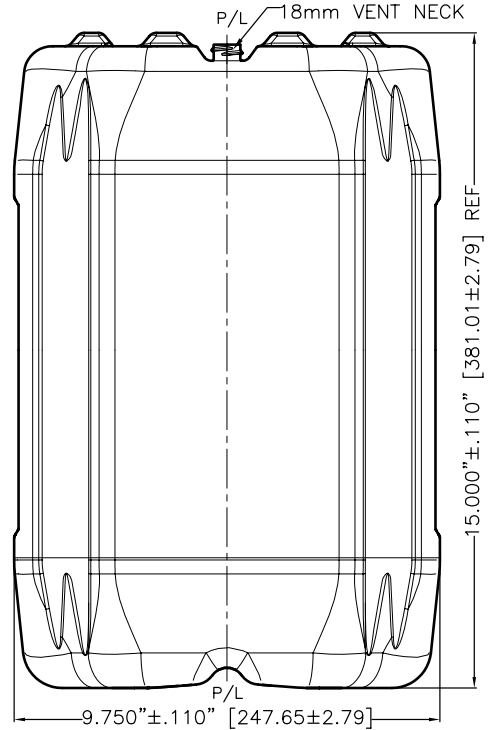
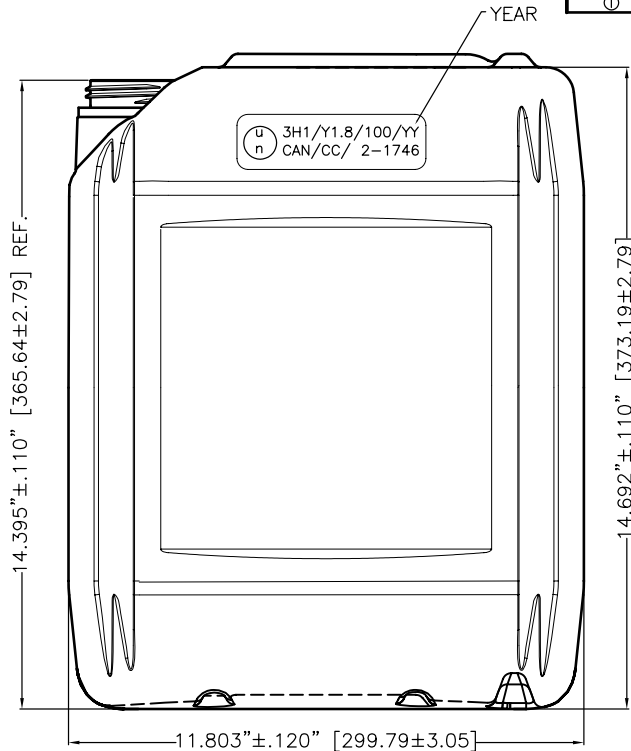
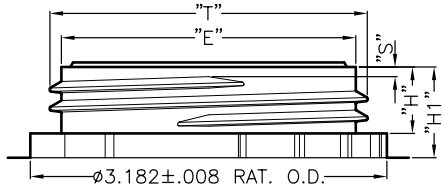


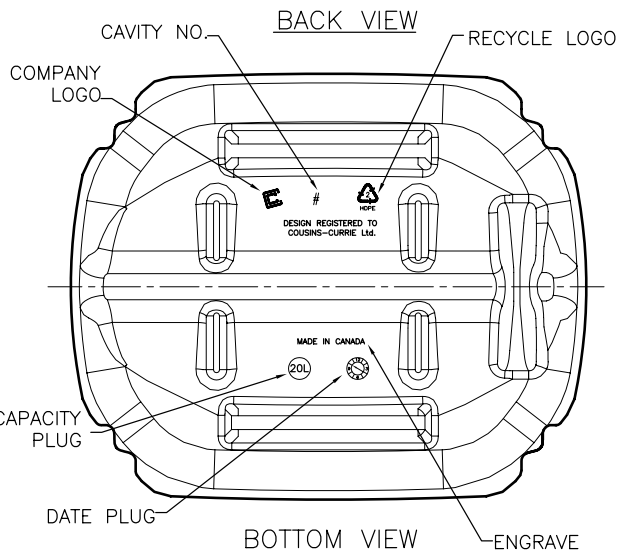
REV. NO.	DESCRIPTION	DATE	BY
①	6TPI added in neck description.	June 01,05	Manjit Dhaliwal



18mm REGULAR NECK DETAIL



70mm RATCHET NECK SC-76RTE  
6TPI NECK Ø



18mm REGULAR NECK SPEC.	"T"	"E"	"H"	"S"	
	Ø0.696 ±.008	Ø0.612 ±.008	0.385 ±.008	0.037 ±.015	
CAPACITY TO FILL LEVEL: 20L	"T"	"E"	"H"	"S"	"H1"
OVERFLOW CAPACITY: 21.35L ±214ml	Ø2.777 ±.015	Ø2.577 ±.015	0.630 ±.020	0.135 ±.020	0.840 ±.020
THIS INFORMATION CONTAINED HEREON WHICH IS THE PROPERTY OF COUSINS-CURRIE LTD. MUST BE MAINTAINED IN CONFIDENCE AND NO PORTION OF THIS DRAWING MAY BE REPRODUCED OR USED WITHOUT THE WRITTEN PERMISSION OF THE COMPANY.	PATH: Z:\RT\RT-20L-70MM.dwg		SCALE: NOT TO SCALE	MAT. HDPE	
	UNLESS OTHERWISE STATED THE DIMENSIONAL TOLER. ARE: DECIMAL .X = ±0.020 .XX = ±0.010 .XXX = ±0.005 .XXXX = ±0.0005 ANGULAR = ±0°-10'		NAME	DATE	TITLE
	DRAWN	Manjit Dhaliwal	Nov.,12.2004	20L RT SC-76RTE 70mm RATCHET NECK	
	CHECKED	Sergio DiBiasio	Nov.,12.2004	PART NO.	REV. NO.
	APPROVED	Sergio DiBiasio	Nov.,12.2004	RT-20L-70MM	1
				SHEET NO.	

DISTRIBUTED BY:	REF NO.:
	DWG30231
DESCRIPTION:	
20 Liter HDPE Square TH Pail	

**DISCLAIMER**

THIS INFORMATION IS PROVIDED AS A GENERAL GUIDE, INCLUDING DIMENSIONS. IT IS THE CUSTOMER'S RESPONSIBILITIES TO SELECT THE PROPER CONTAINER FOR PRODUCT AND APPLICATION COMPATIBILITY.