

NICOR[®] | **LED**

4" Gimbal Recessed **LED** Downlight

DGC



Your Flexible Solution

DGC

4" Gimbal Recessed LED Downlight

Making Accent Lighting Easy

The DGC LED Downlight Gimbal Series offers an Airtight, IC rated gimbal that simplifies challenging lighting installations into easily tailored masterpieces. The high performing light engine with off-board driver allows for more flexible installations and increased lifetime with improved thermal management. The DGC fixture uses a plenum-rated cable connector to link the downlight module to the remote driver box and then pops into place with its adjustable, spring-loaded retention tabs for a secure fit, eliminating the need for a J-box or recessed housing. Directional lighting is now easier than ever with 25° tilt and 360° rotation making the DGC perfect for architectural accents such as living rooms, hallways, stairways and corridors.



Available in
Oil-Rubbed
Bronze



Adjustability

25° Tilt with 360° rotation
of the housing

Easy Installation

Pop in ceilings up to 1" thick
with spring loaded retention
arms, no housing needed



4" Gimbal Recessed LED Downlight

Construction

- Fully enclosed aluminum housing
- Adjustable, spring loaded retention tabs ensure secure fixture retention

Optical System

- COB maintains 4-step MacAdams with $\text{duv} < \pm 0.003$
- 90+ CRI and an $\text{R9} > 50$
- TIR optic provides smooth, uniform light with a 33° beam angle
- 25° Tilt with 360° rotation of the housing

Electrical

- 120VAC 50/60Hz input to driver
- Off-board driver/junction box includes three 1/2" KOs and three-port poke-in connectors
- Dimmable to less than 5% with compatible TRIAC dimmers
- Operating temperature rating of 0°F to 120°F (-18°C to 49°C)
- L70 Lifetime rated for greater than 54,000 hours
- LM-79, LM-80 testing performed in accordance with IESNA standards

Installation

- Spring loaded retention arms allow for easy installation into ceilings up to 1" thick with no need for a recessed housing
- Extension power cables (10', 20') available

Listings

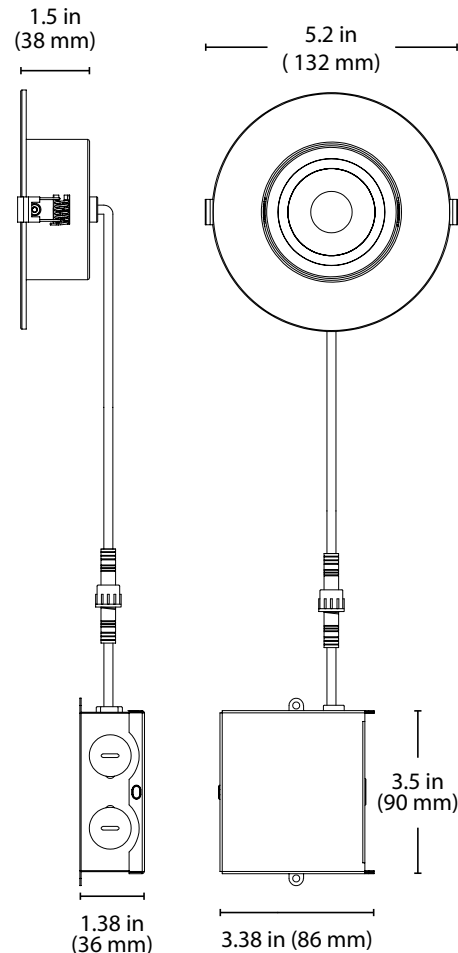
- LM-79, LM-80 testing performed in accordance with IESNA standards
- UL/cUL1598 Listed for damp locations
- Certified Type IC for direct contact with insulation
- Airtight per ASTM E283
- RoHS Compliant
- Meets FCC Part 15, Subpart B, Class B standards for conducted and radiated emissions
- LED lumen maintenance: L70(9k)>54,000 hrs

Finish

- White or Oil-Rubbed Bronze powder coat finish

Warranty

- 5-year limited system warranty standard
- Warranty does not cover product failure due to an overvoltage event (power surge)
- For installations where power surge may be possible, NICOR recommends installing additional surge protection at the electrical distribution panel



Performance Data

CCT Setting	Lumens (Lm)	Watts (W)	Lumens/Watt
3000K	756	8.9	84.9
4000K	827	8.9	92.9

Ordering Information

Example: DGC421203KRDWH

Series	Version	Voltage	CCT	Shape	Trim Color
DGC4	2 (Version 2)	120 (V)	3K (3000K)	RD (Round)	WH (White)
					OB (Oil-Rubbed Bronze)

Specifications and dimensions subject to change without notice.



Warehouse Locations

Albuquerque, NM
Atlanta, GA
Detroit, MI
Folcroft, PA
Houston, TX

Roseville, CA
Syracuse, NY
Van Nuys, CA
Wood Dale, IL

T 800.821.6283

F 800.892.8393

www.nicorlighting.com

2200 Midtown Pl. NE
Albuquerque, NM 87107 USA



LIT-DGC-10PK
20220414

©2021 NICOR® • ALL RIGHTS RESERVED

NICOR  **LED**