

Job Name:

Engineer/Architect:

Job Location:

Wholesaler:

Submittal Date:

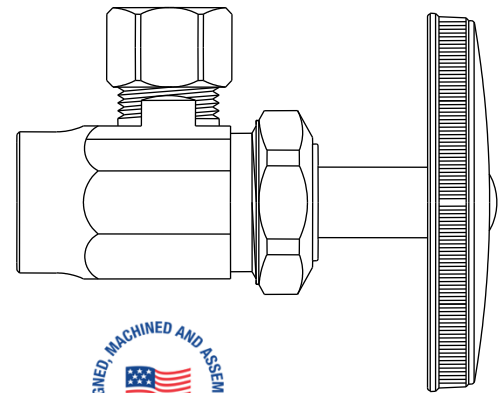
Contractor:

R1B/09/19/39X Multi-Turn Angle Stop – Sweat x Compression

Use: For use with potable water systems in accessible locations only. Not intended for recirculating water systems that produce continuous use temperatures above 115°F. For those applications, use our KT™ series ball stops

Design Features:

- **Machined one-piece brass body** provides strength, durability and long-lasting performance.
- **Oval knurled handle** provides a secure grip and smooth on/off operation.
- **Easy-to-remove handle** with screw attachment protects accidental stop operation during rough-ins.
- **No-lead brass material** meets compliance for safe drinking.



Excludes loose key handle

Operating Specifications:

Temperature: 40° - 160°F

Pressure: 125 PSI maximum

STOP MATERIAL SPECIFICATIONS	
Body	<i>Brass or brass, plated</i>
Stem	<i>Brass; or brass, plated</i>
Bib & Packing Washers	<i>Rubber</i>
Packing Nut	<i>Brass or brass, plated</i>
Handle	<i>Metal or metal, plated</i>
Handle Screw	<i>Steel, plated</i>
Compression Sleeve	<i>Brass</i>
Compression Nut	<i>Brass or brass, plated</i>
Loose Key	<i>Zinc die cast</i>
Lock Shield	<i>Brass, plated</i>
Loose Key Stem	<i>Brass or brass, plated</i>

Part Listing:

- | | | |
|--------------------------|---------|--|
| <input type="checkbox"/> | R1BX C | 3/8" Nom Sweat x 3/8" OD Compression, Chrome |
| <input type="checkbox"/> | R09X C | 1/2" Nom Sweat x 1/4" OD Compression, Chrome |
| <input type="checkbox"/> | R09X R | 1/2" Nom Sweat x 1/4" OD Compression, Rough Brass |
| <input type="checkbox"/> | R19X C | 1/2" Nom Sweat x 3/8" OD Compression, Chrome |
| <input type="checkbox"/> | R19X C1 | 1/2" Nom Sweat x 3/8" OD Compression, Chrome, Window Tray |
| <input type="checkbox"/> | R19X CD | 1/2" Nom Sweat x 3/8" OD Compression, Chrome, Carded |
| <input type="checkbox"/> | R19X R | 1/2" Nom Sweat x 3/8" OD Compression, Rough Brass |
| <input type="checkbox"/> | R19X R1 | 1/2" Nom Sweat x 3/8" OD Compression, Rough Brass, Window Tray |

This specification and all information contained herein is the confidential and exclusive property of BrassCraft Manufacturing Company and shall not be disclosed to others without the written consent of BrassCraft. This specification must be returned to BrassCraft if requested.

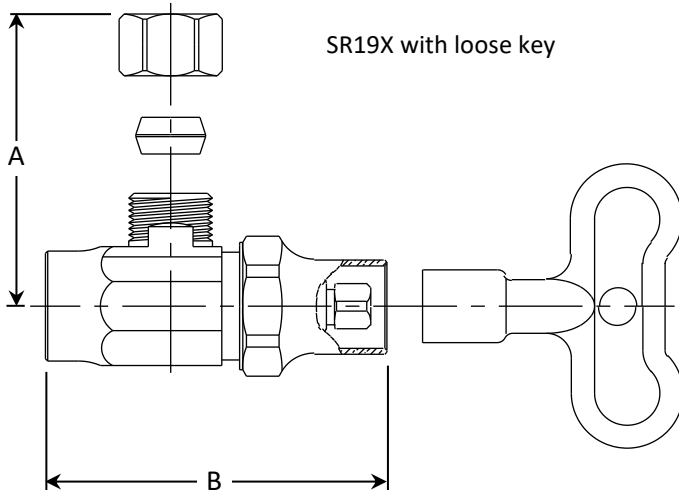
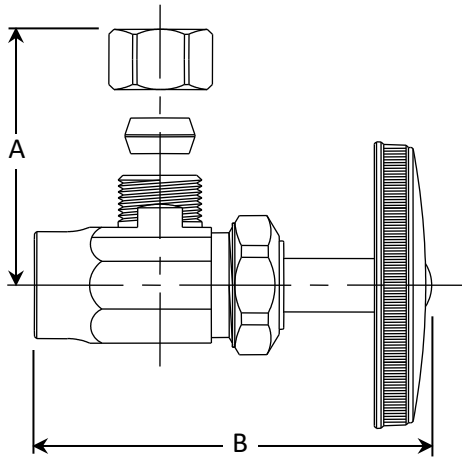
**Products shown may differ from those available in the Canadian market.*

R1B/09/19/39X Multi-Turn Angle Stop – Sweat x Compression

Part Listing (Con't):

- R39X C 1/2" Nom Sweat x 1/2" OD Compression, Chrome
- SR19X C 1/2" Nom Sweat x 3/8" Od Compression, Loose Key, Chrome

PART DIMENSIONS (Inches)		
Model	DIM. A	DIM. B
R1BX	1.02	2.56
R09X	1.02	2.50
R19X	1.02	2.50
R39X	1.15	2.50
SR19X	1.02	2.29



Listings & Certifications:

- IAPMO listed to ASME A112.18.1 / CSA B125.1 (includes NSF/ANSI372 & NSF61)

NSF/ANSI/
CAN61:Q≤0.5



This specification and all information contained herein is the confidential and exclusive property of BrassCraft Manufacturing Company and shall not be disclosed to others without the written consent of BrassCraft. This specification must be returned to BrassCraft if requested.

**Products shown may differ from those available in the Canadian market.*

BrassCraft®

© 2025 BrassCraft Manufacturing Company