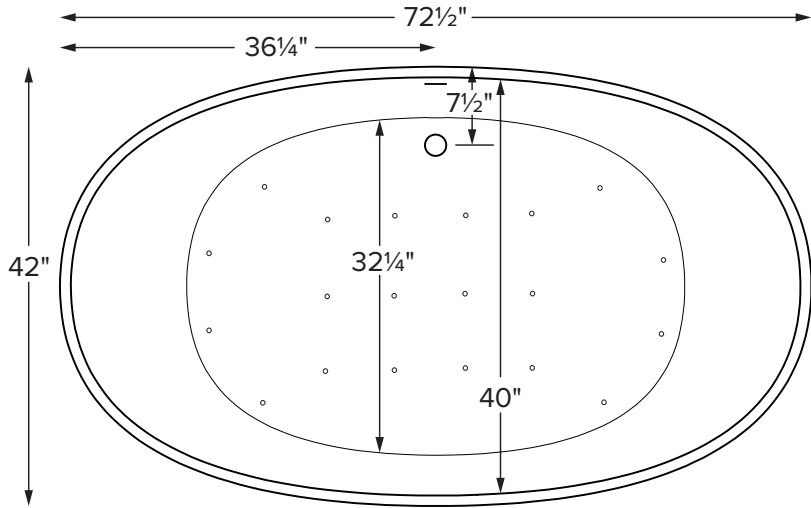


Alissa

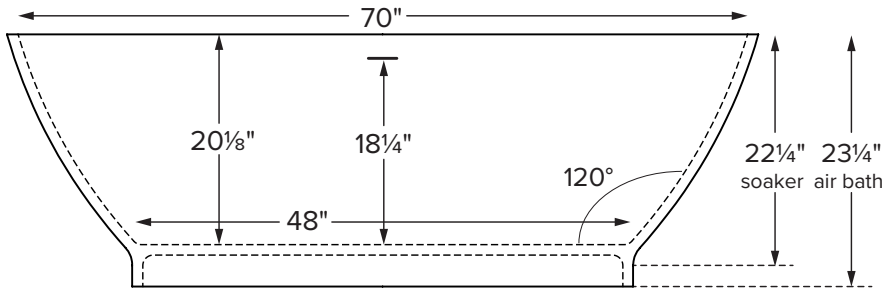


Features an integrated overflow.

MODEL 236
72.5" x 42" x 22.25"/23.25"
FREESTANDING 140 gal to overflow
<b>SculptureStone®</b>
340 lbs / 154 kg soaker 370 lbs / 163 kg airbath
Filling this tub to the maximum may require an above average size or dedicated water heater.



Shown above as an Air Bath.



ELECTRICAL COMPONENTS & SPECIFICATIONS		
Required Electrical Service - 110 Volt		
Hydrotherapy Package	Components Included	GFCI
Air Massage	heated blower	1-15 amp
Electrical requirements may change with the addition of optional therapy components. See specific option details or installation information. CSA Certified C/US; ANSI Z124.1 and ANSI 112.19.7 and ANSI 112.19.7		

**IMPORTANT ORDERING & INSTALLATION INFORMATION**

- Before ordering or installing, please consider future access to equipment.
- Includes an integrated overflow with toe tap drain in chrome finish. May be specified without an overflow (see local codes before ordering without an overflow).
- Air baths require job site preparation for remote installation of the blower and required check valve. Check valve must be installed higher than the rim of the tub.
- Waterproof remote control included with air bath. Keypad shipped loose may be remote mounted on nearby surface/wall.
- Faucet valves cannot be mounted on this tub model.

See the Installation & Operation Manual for more details.  
 MTI's Customer Service: Monday-Friday 8am-6pm EST  
**800-783-8827** or [service@mtibaths.com](mailto:service@mtibaths.com)

• Before discarding tub crate, check for accessories that may be packaged inside.  
 • All product measurements are ±1/2".  
 • Specifications and configurations are subject to change without notice.  
 • Measurements herein supersede all others published prior to publication date below.



For more information on options and accessories go to SculptureStone® Tubs Options on mtibaths.com

Alissa

MODEL #: 236

72.5" x 42" x 22.25"/23.25"

- Blower & required check valve for airbath must be remote mounted.
- Check valve must be installed higher than the rim of the tub.
- See the Installation & Operation Manual for more details.

Hydrotherapy	Package Contents	Part #	MSRP
Soaker	Soaking bath - no jets. Includes an integrated slotted overflow with a toe-tap drain kit.	S236	\$9,585
Air Bath	20 air jets, heated air blower, keypad, waterproof remote control, integrated slotted overflow with a toe-tap drain kit.	AST236	\$14,975

Options <small>Must be ordered at time of purchase</small>
<b>Quick Ship</b> (QSPRI2) <b>\$1,025</b> reduces lead time <i>Please call for availability</i>
<b>Standard Color</b> White, matte finish <b>Biscuit Color Upgrade</b> (SSBI) <b>\$310</b> matte finish <i>Additional material colors available for projects only. Please call MTI.</i>
<b>Hand-Polished Deep Gloss Finish</b> (SSGLOSS) <b>\$1,140</b> upcharge For white or biscuit
<b>Exterior Color</b> <b>\$1,760</b> (SSCOLTG) Gloss Finish (SSCOLTM) Matte Finish Must specify color code: Sapphire Blue (SB), Blue Lagoon (BL), Terracotta (TC), Onyx (OX), Stratus Gray (TG), Stormgray (SG) <i>Adds 20 business days to standard lead time</i>

Accessories
<b>Teak Bath Mat</b> (TKMAT3018) <b>\$815</b> Measures 30" x 17.5" x 1" <i>Custom sizes also available. Contact MTI for details.</i>
<b>Floor-Mounted High-Flow Tub Filler</b> Contemporary Chrome (FILLC) <b>\$1,480</b> Brushed Nickel (FILLBN) <b>\$1,710</b>
<b>SculptureStone® Tub Tray</b> Without Stemware Holder (SSTRAY1) <b>\$340</b> With Stemware Holder (SSTRAY2) <b>\$450</b> <i>Color and finish will come matched with tub</i>
<b>Teak Tub Tray</b> Slatted (TK-TRAY1) <b>\$500</b> Solid (TK-TRAY2) <b>\$570</b> <i>Order with tub for best fit</i>

**Drains & Overflow Kits** Must be ordered at time of purchase

Toe Tap Drain Cover Finishes
PVC drain - Chrome included
<b>+\$50</b> upcharge Br. Nickel (WIOBN), Pol. Nickel (WIOPN)
<b>+\$85</b> upcharge Matte Black (WIOMB)
<b>+\$105</b> upcharge Oil-Rubbed Bronze* (WIOOR)
<b>+\$640</b> upcharge Special Finish* (WIOSF)
<i>Send finish sample to MTI Baths for best match.</i>

\* MTI has selected an oil-rubbed bronze finish that is compatible with Delta and many other manufacturers. To ensure best match, order as a Special Finish and submit a sample.  
CSA # MTCT-236

Boutique Accessories
<b>Packaging / Handling Fee Applies</b>
<b>SculptureStone® Bathroom Table</b> (TABLE) <b>\$825</b> matte finish <b>+\$430</b> gloss finish upcharge (SSGLOSSSNK) <i>Order with tub for best color match</i>
<b>SculptureStone® Standard Faucet Stand</b> Small - 3-hole capacity 14¼" w x 21¾" h Matte (STAND) <b>\$725</b> Large - 5-hole capacity 22" w x 21¾" h Matte (STANDL) <b>\$855</b> <b>+\$430</b> gloss finish upcharge (SSGLOSSSNK)
<b>SculptureStone® Premium Faucet Stand</b> <b>15" w x 39" h</b> Matte (SSFSR3915MT) <b>\$2,365</b> Gloss (SSFSR3915GL) <b>\$2,720</b> <b>10" w x 39" h</b> Matte (SSFSR3910MT) <b>\$2,135</b> Gloss (SSFSR3910GL) <b>\$2,525</b> <b>20" w x 23" h</b> Matte (SSFSR2320MT) <b>\$1,930</b> Gloss (SSFSR2320GL) <b>\$2,315</b> <b>15" w x 23" h</b> Matte (SSFSR2315MT) <b>\$1,825</b> Gloss (SSFSR2315GL) <b>\$2,180</b>

Toe Tap SculptureStone® Drain Cover Finishes
Upgrade is in lieu of standard chrome to tap drain cover. White only
<b>+\$90</b> upcharge Matte Finish (SSWIOMT)
<b>+\$110</b> upcharge Gloss Finish (SSWIOGL)
<b>Brass Tailpiece</b> (WIOBS) <b>\$85</b> in addition to finish charge listed above
<b>Quick Drain Kit</b> (WOQ) <b>\$460</b>

\* Allow 2-4 weeks lead time for Special Finishes.  
Send sample for best match.

