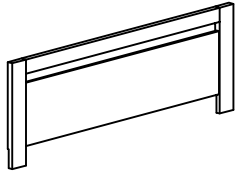


ASSEMBLY INSTRUCTIONS

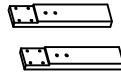
FULL BED

A Headboard Panel



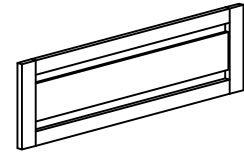
1 pc

B Headboard Leg



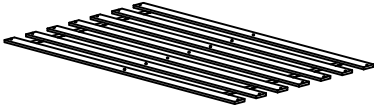
2 pcs

C Footboard



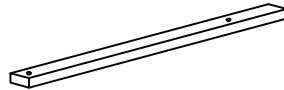
1 pc

D Slats



2 Sets

E Slats Support



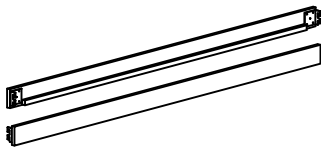
2 pcs

F Slats Support Leg



4 pcs

G Side Rail (in the other carton)



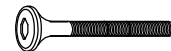
2 pcs

H JCBC Bolt
M6 x 35mm



8 pcs

I JCBC Bolt
M6 x 60mm



4 pcs

J JCBB Bolt
M8 x 16mm



8 pcs

K Flat Washer
M6 x 19 x 1.0



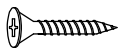
8 pcs

L Spring Washer
M6 x 12



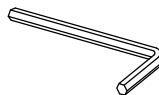
8 pcs

M CSK Screw
M4 x 25mm



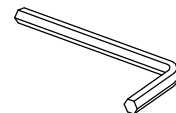
38 pcs

N Allen Key
M4

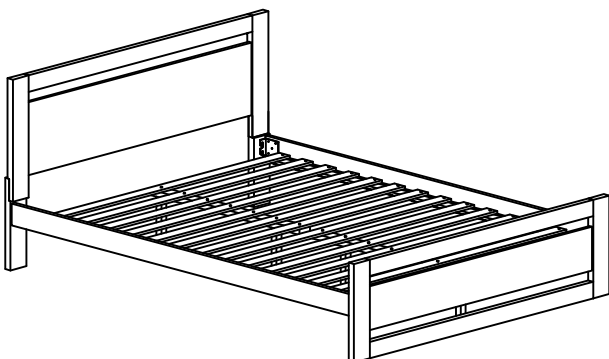


1 pc

O Allen Key
M5



1 pc

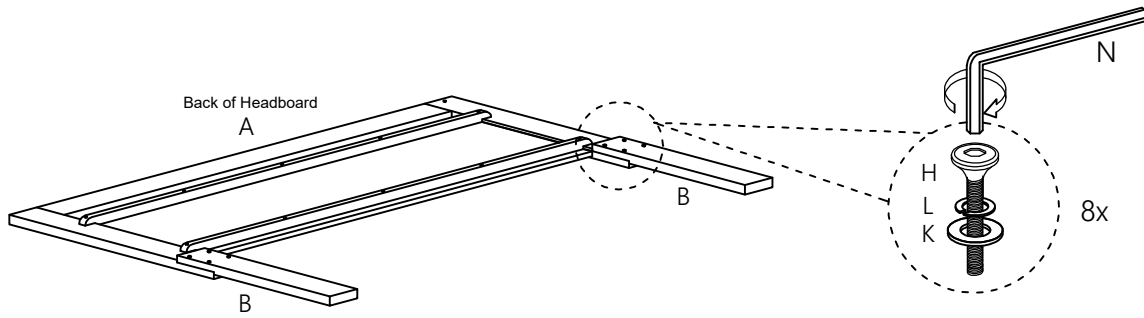


This page lists all the contents included in the box. Please take the time to identify the hardware as well as the individual components to this product. As you unpack and prepare for assembly, place the contents on a carpeted or padded area to protect them from damage.

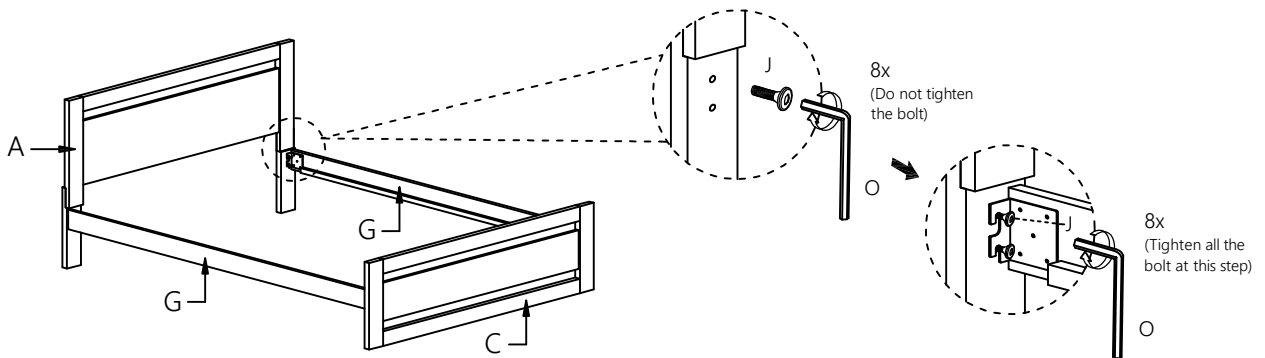
IMPORTANT NOTE :

1. Do not tighten all screws / bolts until all completely assemble.
2. Keep all hardware parts out of reach of children.

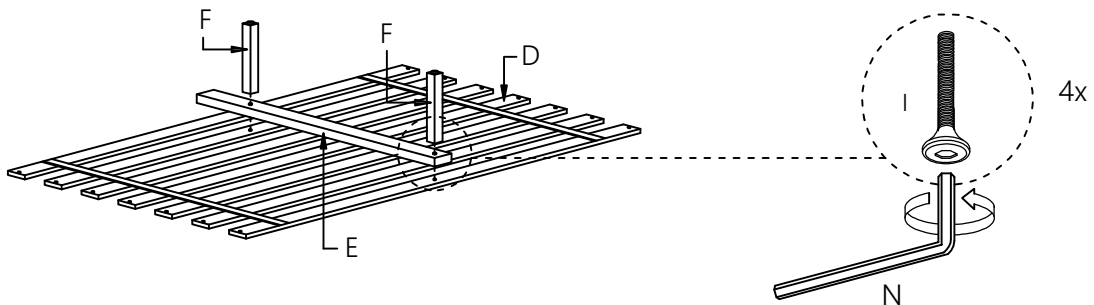
- 1 Turn the Headboard Panel (A) upside down and place it on a piece of cloth to prevent from scratching. Attach Headboard Leg (B) to the Headboard Panel (A). Insert JCBC Bolt (H), Spring Washer (L) and Flat Washer (K) to the holes and tighten using Allen Key (N).



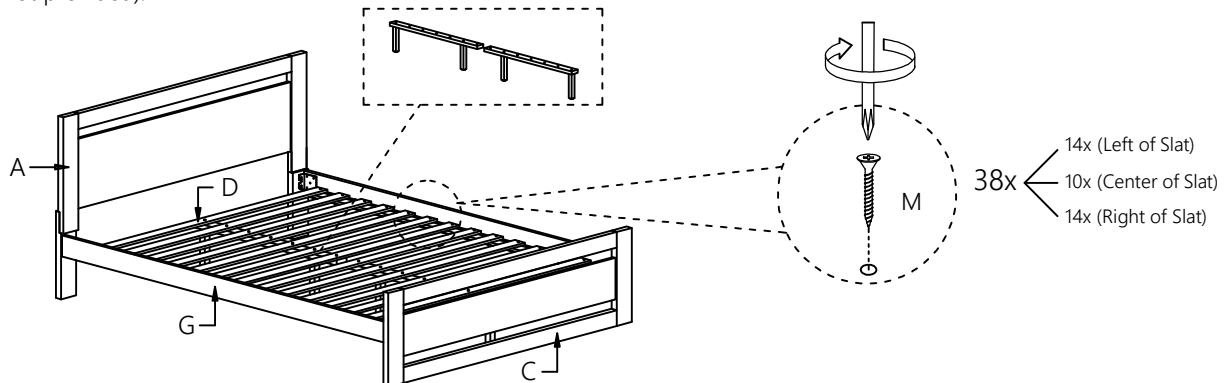
- 2 Attach Side Rail (G) to Headboard (A) and Footboard (C) by inserting JCBB Bolts (J) loosely into provided holes, then hook Side Rail brackets on as shown. Tighten all bolts using Allen Key (O).



- 3 Open the Slats (D) with bottom facing up. Place Slats Support (E) and Slats Support Leg (F) on top of Slats (D). From bottom of Slats (D) insert JCBC Bolt (I) to the holes and tighten using Allen Key (N). Repeat the same process to the other set of Slats (D).



- 4 Spread the Slats (D) and place it to the Side Rail (G). Tighten the Slats (D) with CSK Screw (M) using Philip Head Screwdriver (Not provided).



CLEANING & CARE

Treat surface with care. Surface is resistant to scratches but is not scratch resistant. Clean surfaces with a dry or damp soft cloth. Do not use abrasive cleaners. Hardware may loosen over time. Periodically check that all connections are tight.