
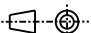


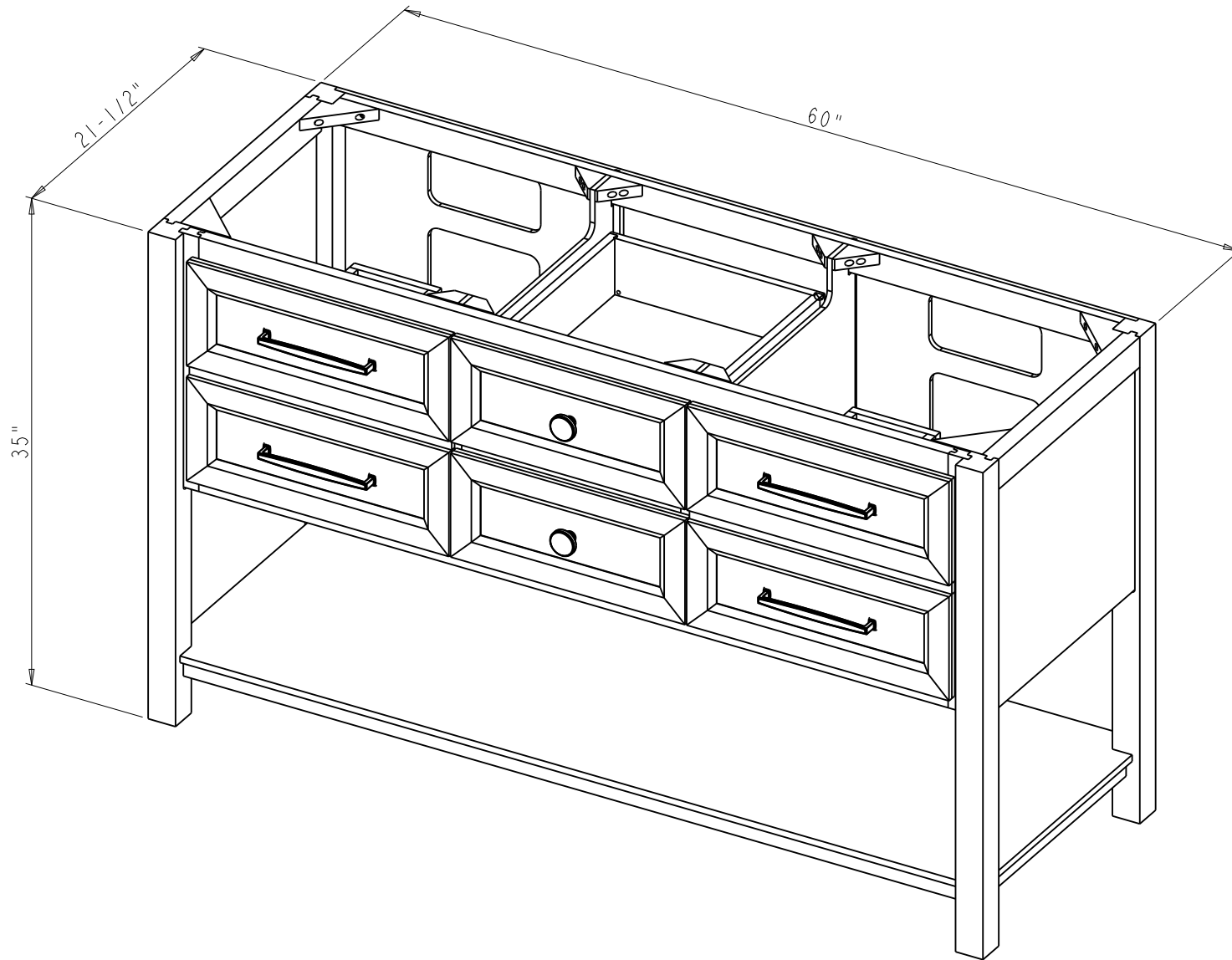
Adjustable levelers


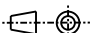
Specification:

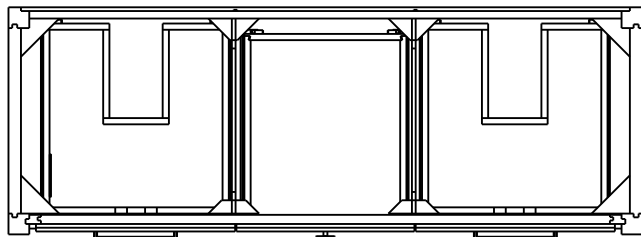
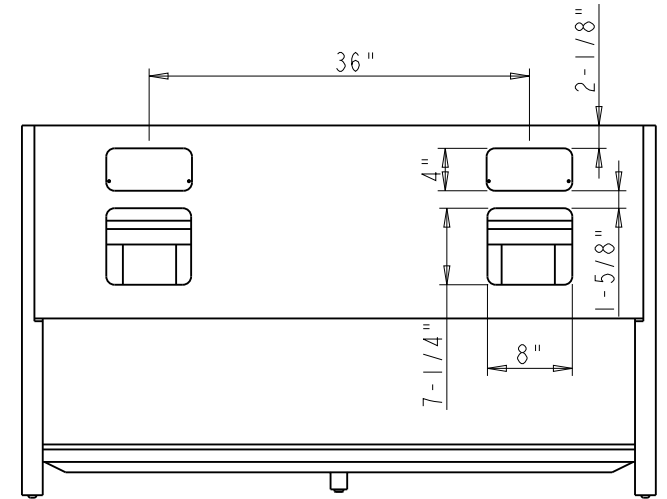
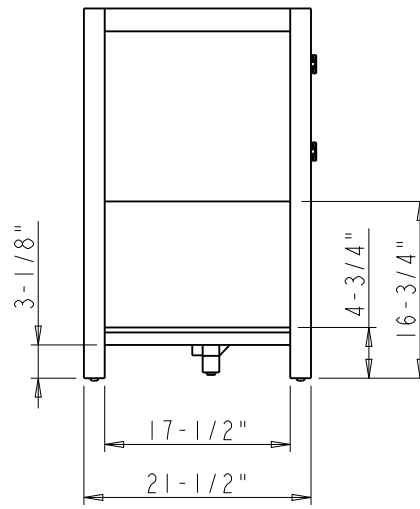
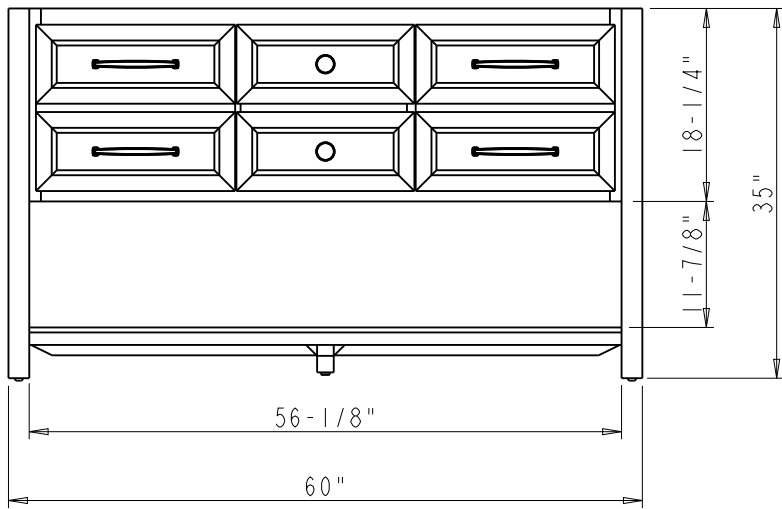
1. Finish: See Table
2. Hardware: See Table
3. Hinge: 7390-2C (4 PCS)
4. Slide: USE58-300-18 + USCLIP2ND- 4W (4 Sets)
5. The tolerance is +/- 1/8"

Item number	Finish	Deco Hardware			
		Item number	Qty	Item number	Qty
VN2KIP-60-DW-NT	Dark Walnut	171-192BG	4	171L-BG	2
VN2KIP-60-BK-NT	Black	171-192SBZ	4	171L-SBZ	2
VN2KIP-60-NO-NT	Natural Oak	171-192MB	4	171L-MB	2
VN2KIP-60-WH-NT	White	171-192BG	4	171L-BG	2

 PROPRIETARY AND CONFIDENTIAL THE INFORMATION CONTAINED IN THIS DRAWING IS THE SOLE PROPERTY OF HARDWARE RESOURCES INC. ANY REPRODUCTION IN PART OR AS A WHOLE WITHOUT THE WRITTEN PERMISSION OF HARDWARE RESOURCES INC. IS PROHIBITED.	ITEM#: VN2KIP-60	MATERIAL:	
	FINISH:	WEIGHT: 9	
	TOLERANCE UNLESS OTHERWISE SPECIFIED: X ±0.20 X.X ±0.10 X.XX ±0.05 ANGULAR: ±0.5°	UNITS: DRAWN BY: Hugo.cai DATE: Sep-27-22	PROJECTION  DATE:
	DO NOT SCALE DRAWING	APPROVED BY: SHEET: RELEASE LEVEL:	DATE: REVISION:



	ITEM#: VN2KIP-60		MATERIAL:		
	FINISH:		WEIGHT: 9		
<p>PROPRIETARY AND CONFIDENTIAL</p> <p>THE INFORMATION CONTAINED IN THIS DRAWING IS THE SOLE PROPERTY OF HARDWARE RESOURCES INC. ANY REPRODUCTION IN PART OR AS A WHOLE WITHOUT THE WRITTEN PERMISSION OF HARDWARE RESOURCES INC. IS PROHIBITED.</p>	PROJECTION 		DATE: Sep-27-22		
	TOLERANCE UNLESS OTHERWISE SPECIFIED: X ±0.20 X.X ±0.10 X.XX ±0.05 ANGULAR: ±0.5°		UNITS:	DRAWN BY: <i>Hugo.cai</i>	DATE:
	DO NOT SCALE DRAWING		SIZE:	APPROVED BY:	DATE:
			SHEET:	RELEASE LEVEL:	REVISION:



	ITEM:	VN2KIP-60	MATERIAL:	
	FINISH:		WEIGHT:	
<p>PROPRIETARY AND CONFIDENTIAL</p> <p>THE INFORMATION CONTAINED IN THIS DRAWING IS THE SOLE PROPERTY OF HARDWARE RESOURCES INC. ANY REPRODUCTION IN PART OR AS A WHOLE WITHOUT THE WRITTEN PERMISSION OF HARDWARE RESOURCES INC. IS PROHIBITED.</p>	<p>UNITS:</p> <p>TOLERANCE UNLESS OTHERWISE SPECIFIED:</p> <p>X ±0.20</p> <p>X.X ±0.10</p> <p>X.XX ±0.05</p> <p>ANGULAR: ±0.5°</p>		<p>DATE:</p> <p>Sep-27-22</p>	
	<p>DO NOT SCALE DRAWING</p>		<p>DATE:</p>	
	<p>SHEET:</p>		<p>APPROVED BY:</p> <p><i>Hugo.cai</i></p>	<p>DATE:</p>
	<p>RELEASE LEVEL:</p>		<p>REVISION:</p>	

