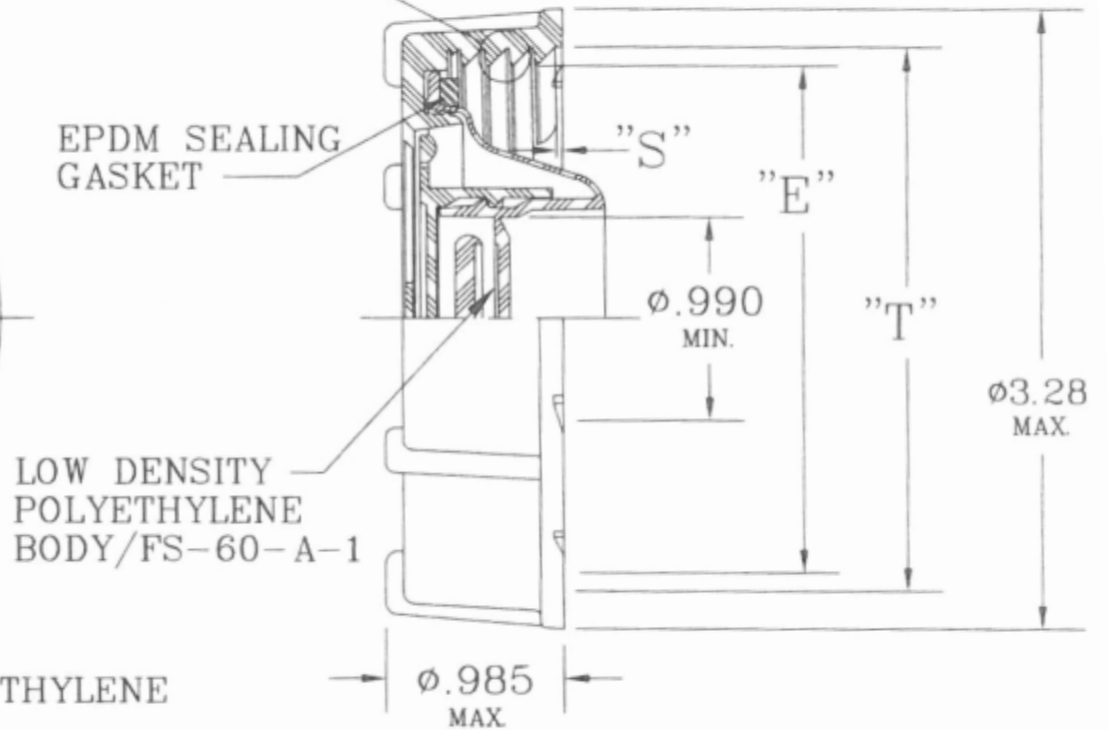


THREAD SPECS	
S	.03 MINIMUM
T	ø2.820 MINIMUM
E	ø2.650 / ø2.610
TPI	6 THDS. PER INCH



NOTE: MATERIALS USED MEET FDA REQUIREMENTS

DISCLAIMER

THIS INFORMATION IS PROVIDED AS A GENERAL GUIDE, INCLUDING DIMENSIONS. IT IS THE CUSTOMER'S RESPONSIBILITIES TO SELECT THE PROPER CONTAINER FOR PRODUCT AND APPLICATION COMPATIBILITY.

DISTRIBUTED BY:



REF NO.:

DWG30498

DESCRIPTION:

70 mm PP Screw Cap with Pull Up Spout, EPDM Gasket