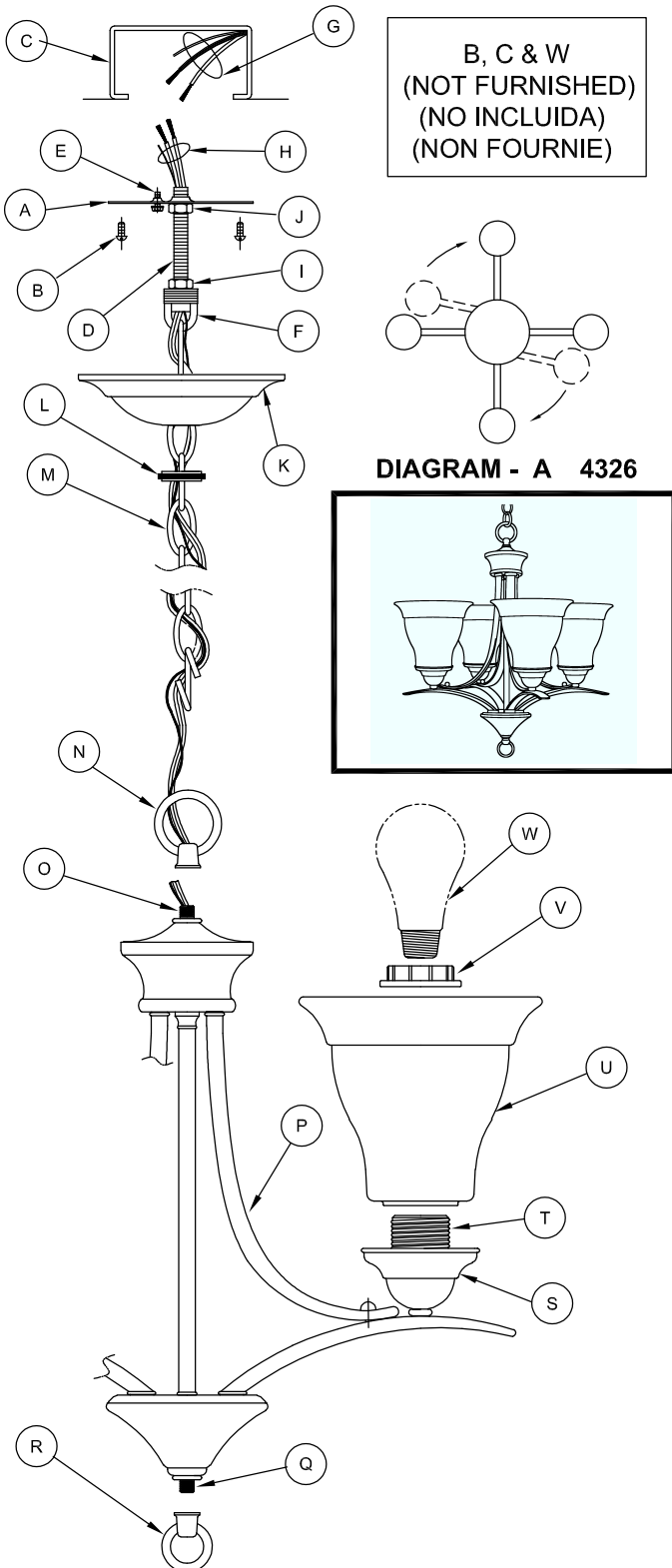


**CAUTION:** Read instructions carefully and turn electricity off at main circuit breaker panel before beginning installation.

## 4326, 4328

**WARNING -** If any Special Control Devices are used with this Fixture, Follow the Instructions Carefully to assure full compliance with N.E.C. requirements. If there are any questions, contact a Qualified Electrical Contractor.

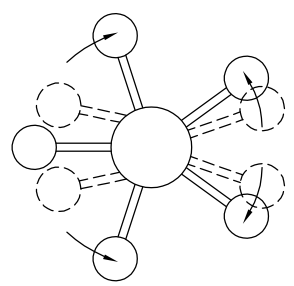
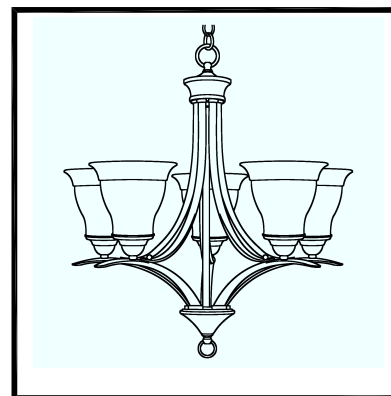
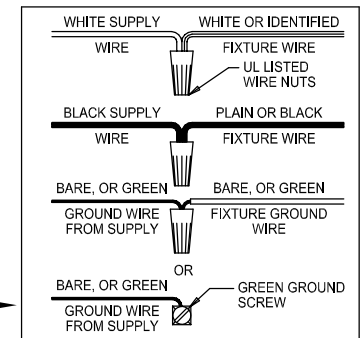
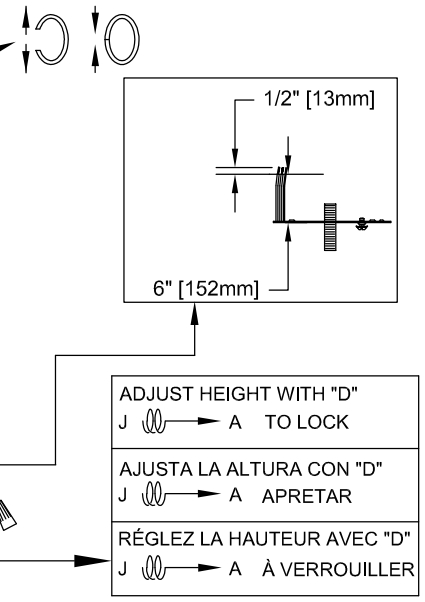
**CAUTION -** All glass is fragile, use care when handling Glass Shade and lamps.



1. D,E → A
2. B,A → C
3. J,I,F → D
4. I → F  
(TO LOCK)  
(APRETAR)  
(À VERROUILLER)
5. M → N
6. H → N
7. L,K → M
8. M → F
9. H → M,L,K,F,D
10. H → G
11. K,L → F

12. Adjust Arms (P) and space equally as Shown in Diagram A.  
(Despliegue los brazos (P) en forma equidistante uno del otro como se muestra en el diagrama A.)  
(Déployez les branches (P) à égale distance l'une de l'autre selon le diagramme A.)

13. N → O
14. R → Q
15. U → S
16. V → T
17. W → T



**DIAGRAM - A 4328**