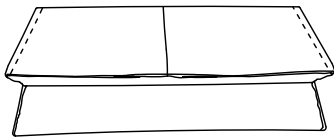


# ASSEMBLY INSTRUCTION

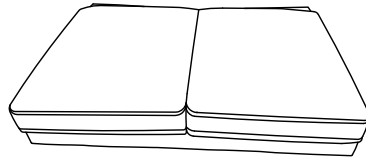
## LOVE SEAT

**A** BACK FRAME



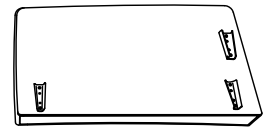
1pc

**B** SEAT FRAME



1pc

**C** LEFT PANEL



1pc

**D** RIGHT PANEL



1pc

**E** HAND PILLOW



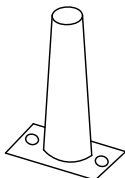
2pcs

**F** BACK CUSHION



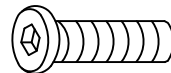
2pcs

**G** WOODEN LEG



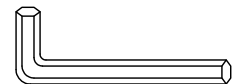
4pcs

**H** BOLT  
5/16 "x1-1/4"



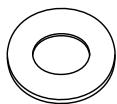
8pcs

**I** ALLEN KEY  
5/16 "

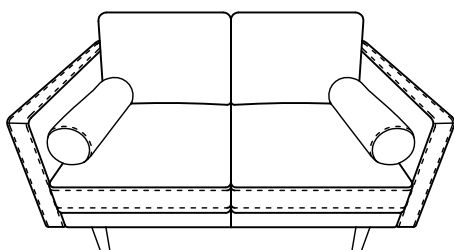


1pc

**J** WASHER  
5/16 "

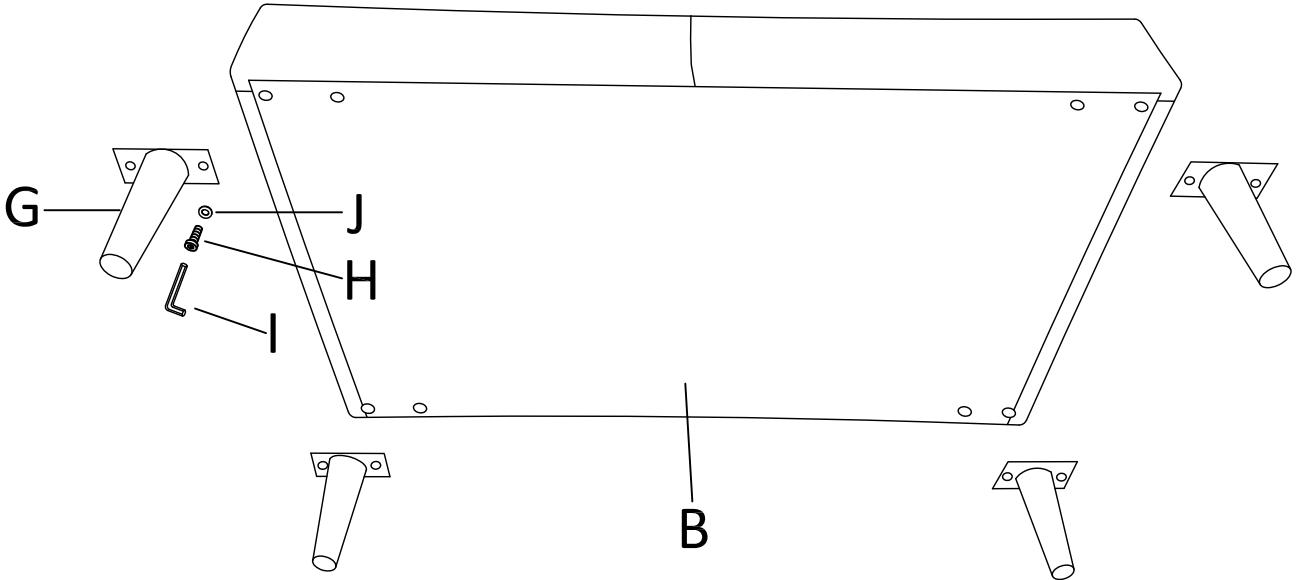


8pcs

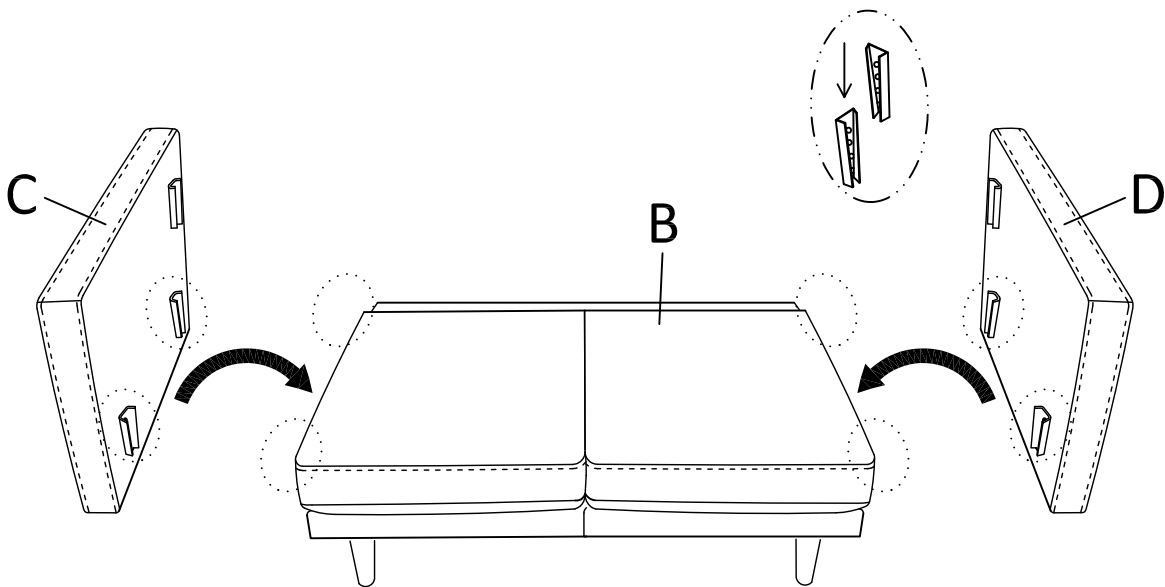


This page lists all the contents included in the box. As you unpack and prepare for assembly, place the contents on a carpeted or padded area to protect them from damage.

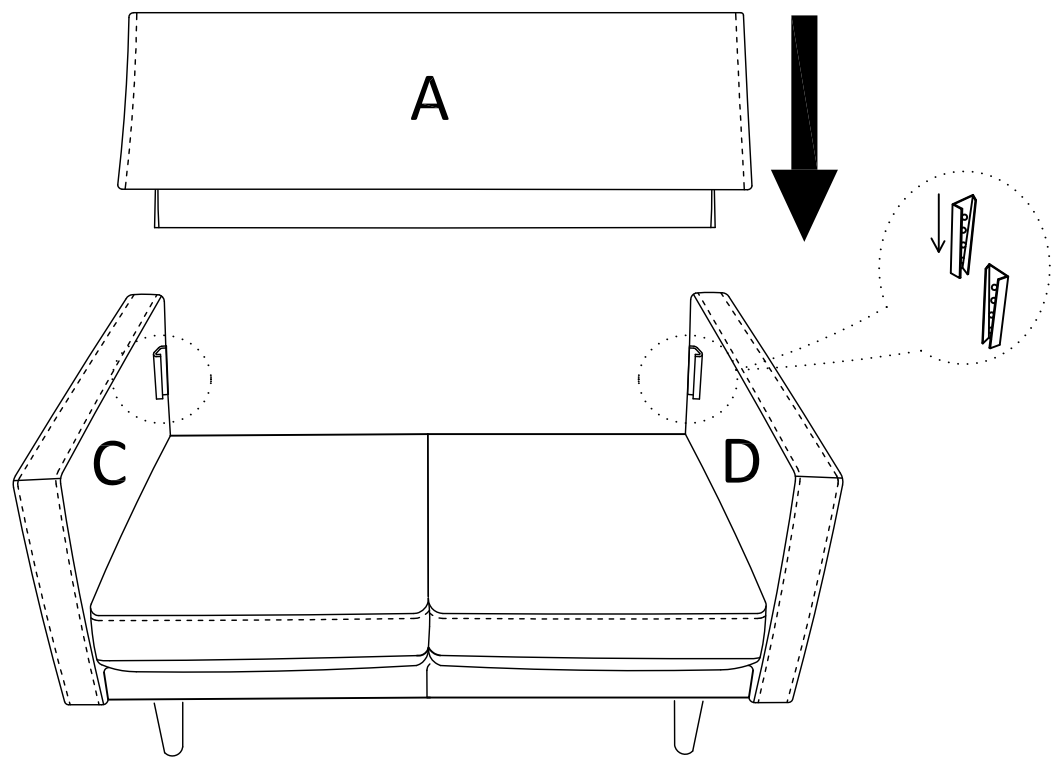
- 
- 1** Please flip over the Seat frame(B) .Align the legs (G) to the pre-drilled holes , insert the bolts (H) , pad with a felt washer (J) then tighten with Allen key (I) .



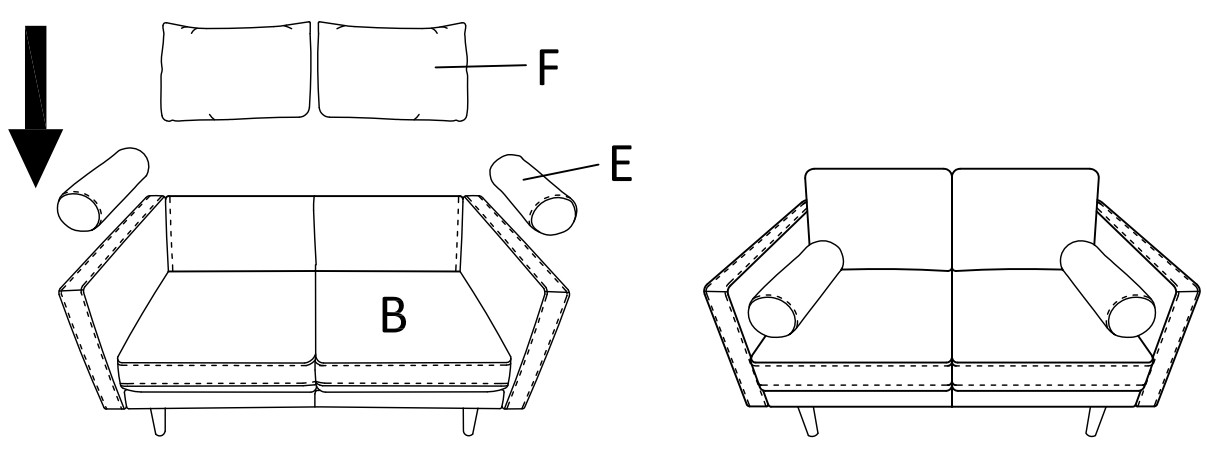
- 
- 2** Hook on the Left Panel(C) & Right Panel(D) to the Seat Frame(B) properly .



**3** Hook on the Back Frame(A) to the Left Panel(C) & Right Panel(D) properly.



**4** Put the Back Cushion(F) & Hand pillow (E) on Seat Frame(B), the assembly is completed .



## Cleaning & Care

Treat surface with care, Surface is resistant to scratches but is not scratch resistant, Clean surfaces with a dry or damp soft cloth. Do not use abrasive cleaners. Hardware may loosen over time. Periodically check that all connections are tight .