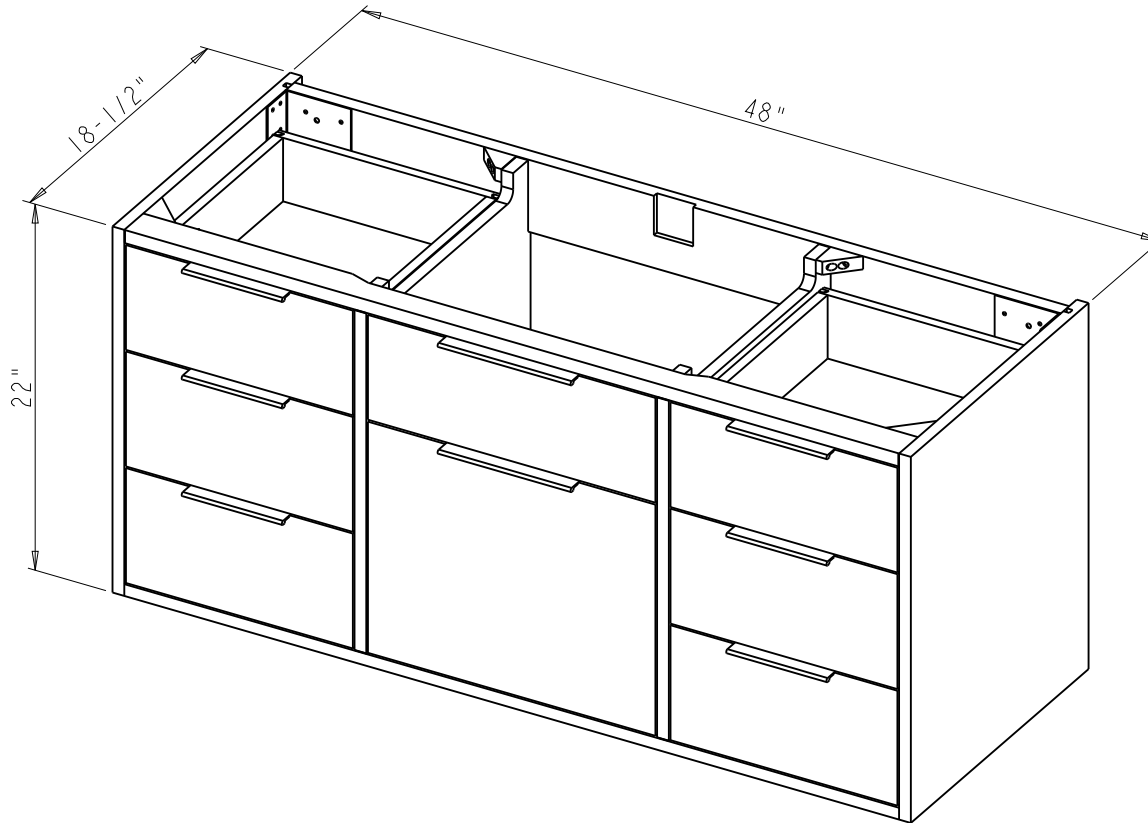



Specification:

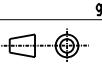
1. Material: Plywood + Birch
2. Finish: See Table
3. Hardware: See Table
4. Slides: USE58-500-15 + USCLIP500-2-4W (7 Set)
5. Hinge: 700.0537.25 + 600.1234.05 (4 Set)
6. Lid Stay (1 PC)
7. The tolerance is +/- 1/8"

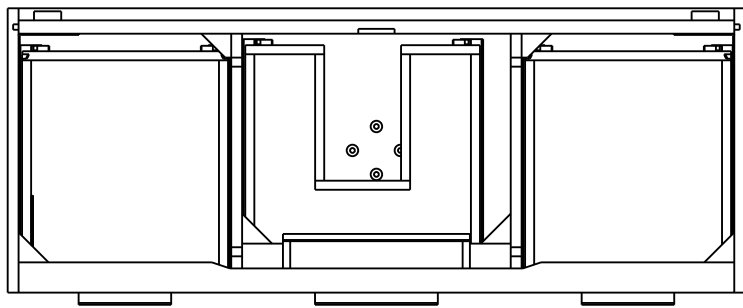
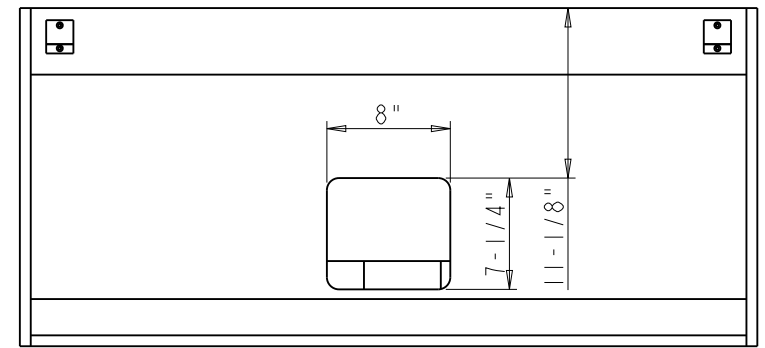
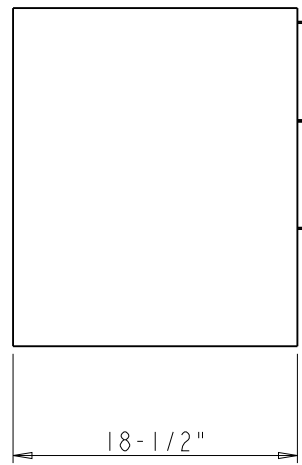
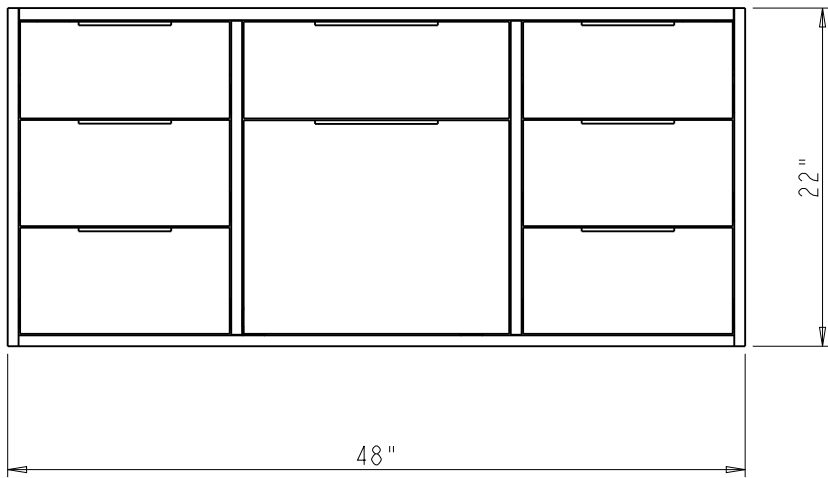
Item number	Finish	Deco Hardware			
		Item number	Qty	Item number	Qty
VN2GAR-48-DW-NT	Dark Walnut	A500-6MB	6	A500-8MB	2
VN2GAR-48-BS-NT	Blue Steel	A500-6MB	6	A500-8MB	2
VN2GAR-48-WH-NT	White	A500-6MB	6	A500-8MB	2
VN2GAR-48-NO-NT	Natural Oak	A500-6MB	6	A500-8MB	2

<p>hardware resources</p> <p><small>PROPRIETARY AND CONFIDENTIAL</small></p> <p><small>THE INFORMATION CONTAINED IN THIS DRAWING IS THE SOLE PROPERTY OF HARDWARE RESOURCES INC. ANY REPRODUCTION IN PART OR AS A WHOLE WITHOUT THE WRITTEN PERMISSION OF HARDWARE RESOURCES INC. IS PROHIBITED.</small></p> <p><small>DO NOT SCALE DRAWING</small></p>	ITEM#: VN2GAR-48	MATERIAL:	
	FINISH:	WEIGHT:	
	TOLERANCE UNLESS OTHERWISE SPECIFIED: X ±0.20 X.X ±0.10 X.XX ±0.05 ANGULAR: ±0.5°	UNITS:	DATE: May-24-23
	SIZE:	APPROVED BY: Hugo.cai	DATE:
SHEET:	RELEASE LEVEL:	REVISION:	



 <p>PROPRIETARY AND CONFIDENTIAL</p> <p>THE INFORMATION CONTAINED IN THIS DRAWING IS THE SOLE PROPERTY OF HARDWARE RESOURCES INC. ANY REPRODUCTION IN PART OR AS A WHOLE WITHOUT THE WRITTEN PERMISSION OF HARDWARE RESOURCES INC. IS PROHIBITED.</p> <p>DO NOT SCALE DRAWING</p>	ITEM#: VN2GAR - 48		MATERIAL:		
	FINISH:		WEIGHT:		
	TOLERANCE UNLESS OTHERWISE SPECIFIED: X ±0.20 X.X ±0.10 X.XX ±0.05 ANGULAR: ±0.5°		UNITS:	DRAWN BY: <i>Hugo.cai</i>	DATE: May - 24 - 23
	SIZE:		APPROVED BY:	DATE:	
SHEET:		RELEASE LEVEL:	REVISION:		





<p>hardware resources</p> <p><small>PROPRIETARY AND CONFIDENTIAL</small></p> <p><small>THE INFORMATION CONTAINED IN THIS DRAWING IS THE SOLE PROPERTY OF HARDWARE RESOURCES INC. ANY REPRODUCTION IN PART OR AS A WHOLE WITHOUT THE WRITTEN PERMISSION OF HARDWARE RESOURCES INC. IS PROHIBITED.</small></p> <p><small>DO NOT SCALE DRAWING</small></p>	ITEM#: VN2GAR - 48	MATERIAL:	
	FINISH:	WEIGHT:	
	TOLERANCE UNLESS OTHERWISE SPECIFIED: X ±0.20 X.X ±0.10 X.XX ±0.05 ANGULAR: ±0.5°	UNITS:	DRAWN BY: <i>Hugo.cai</i>
	DATE: <i>May - 24 - 23</i>	APPROVED BY:	DATE:
	SHEET:	RELEASE LEVEL:	REVISION: