
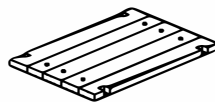

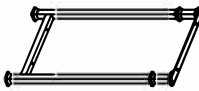

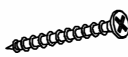


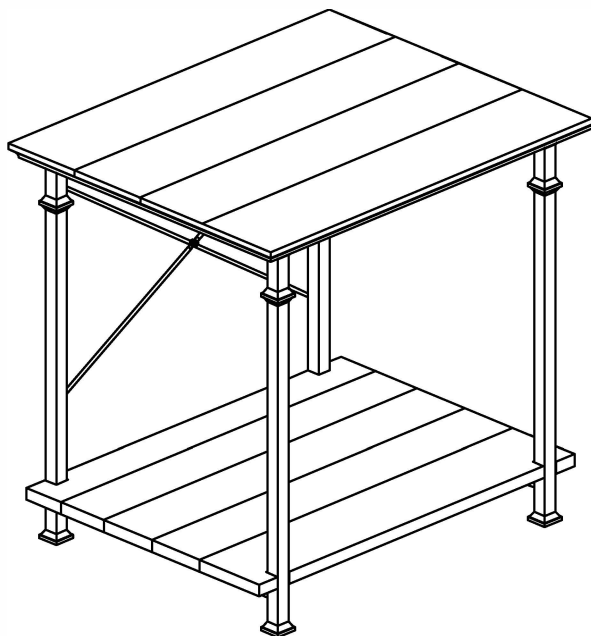


ASSEMBLY INSTRUCTION

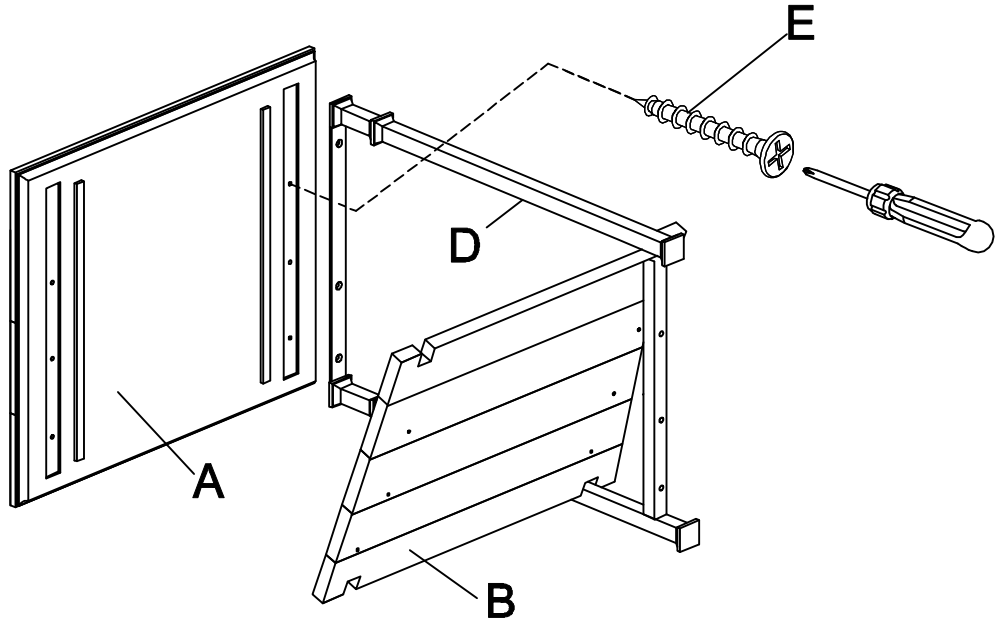
METAL SUPPORTS X-FRAME END TABLE

A Top Panel  1PC	B Bottom Panel  1PC	C Back Iron Cross Bar  2PCS	D Side Frame  2PCS
E Screw-Small Ø4X3/4"  4PCS	F Screw-Big Ø4X1-1/2"  4PCS	G Bolt 5/32X1/2"  5PCS	H Spacer 40X40X3mm  4PCS

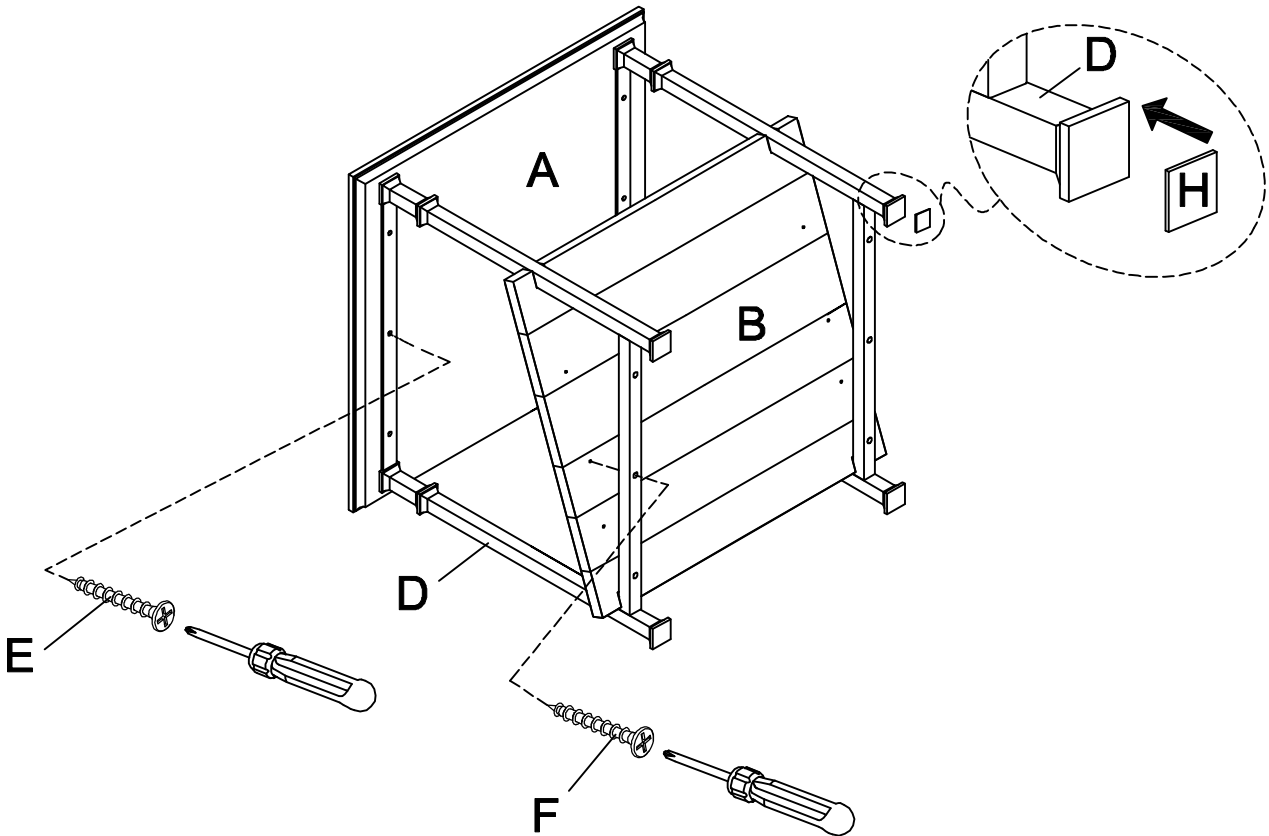


This page lists all the contents included in the box. Please take the time to identify the hardware as well as the individual components to this product. AS you unpack and prepare for assembly, place the contents on a carpeted or padded area to protect them from damage.

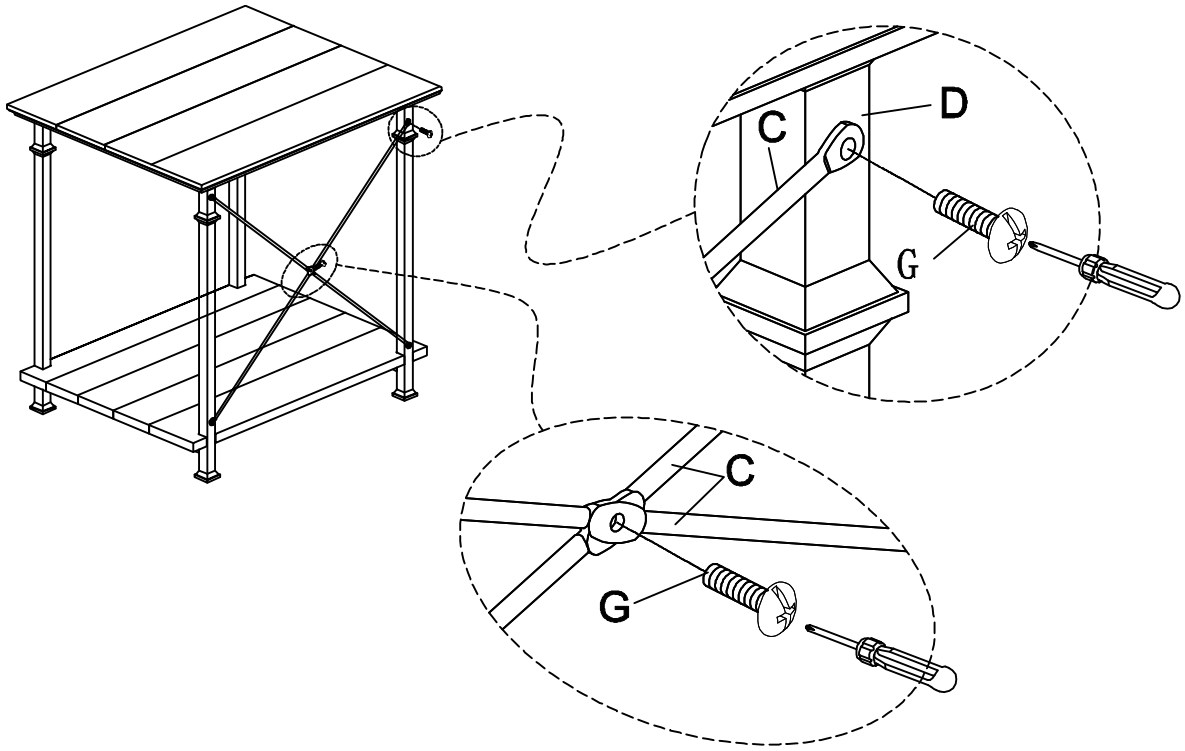
- 1** Attach Top Panel (A) to the Side Frame (D) by using Screw- Small (E) and then attach Bottom Panel (B) to the Side Frame (D) as below showing.



- 2** Attach another Side Frame (D) to the Top Panel (A) by using Screw-Small (E) and fix the Bottom Panel (B) to Side Frame (D) by using Screw-Big (F), and then attach Spacer (H) to the bottom of the Side Frame (D).



-
- 3** Attach the Back Iron Cross Bar (C) to the Side Frame (D) by using Bolt (G) and the fix the Iron Cross Bar (C) with each other by Bolt (G).



Cleaning & Care

Treat surface with care. Surface is resistant to scratches but is not scratch resistant. Clean surfaces with a dry or damp soft cloth. Do not use abrasive cleaners. Hardware may loosen over time. Periodically check that all connections are tight.