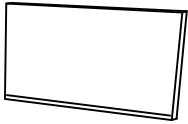


ASSEMBLY INSTRUCTION

HEADBOARD

A Headboard



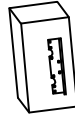
1pc

B Left Wooden Frame



1pc

C Right Wooden Frame



1pc

D Wooden Leg



2pcs

E Bolt
1/4" x 78mm



2pcs

F Bolt
1/4" x 65mm



10pcs

G Flat Washer



12pcs

H Lock Washer



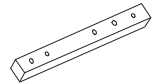
12pcs

I Allen Wrench

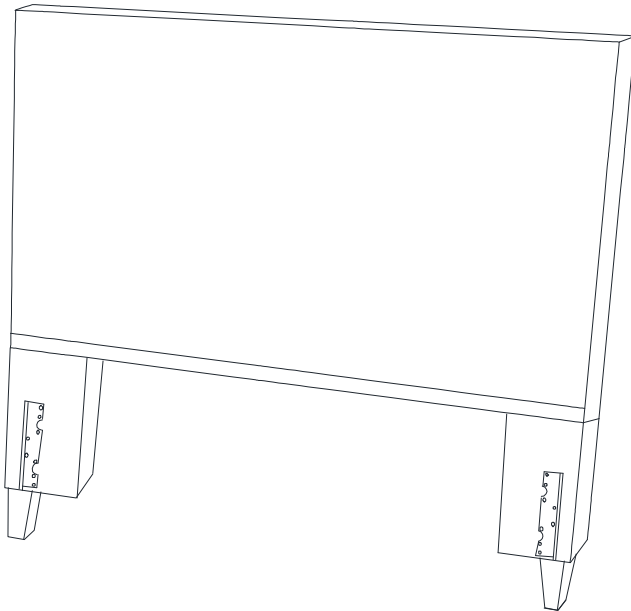


1pc

J Slate



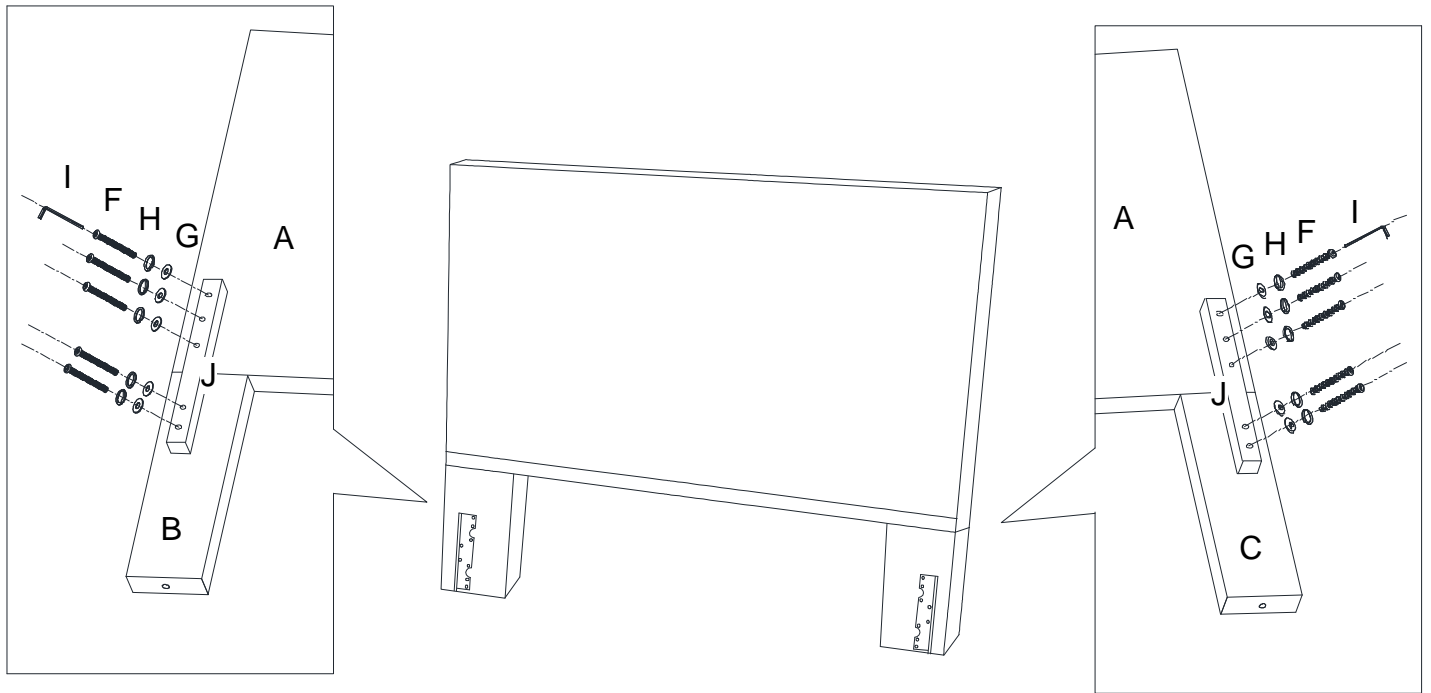
2pcs



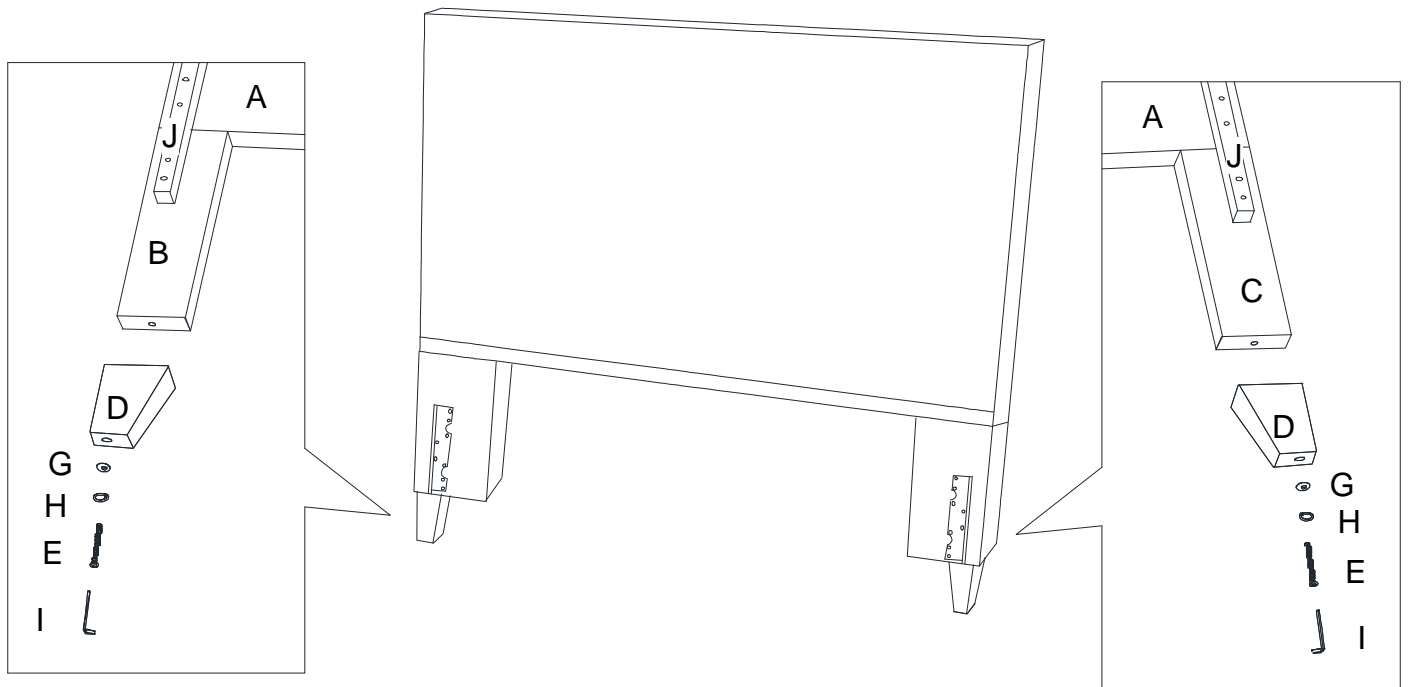
This page lists all the contents included in the box. Please take the time to identify the hardware as well as the individual components to this product. As you unpack and prepare for assembly, place the contents on a carpeted or padded area to protect them from damage.

1

Attached Left Wooden Frame (B) and Right Wooden Frame (C) to the Headboard (A) use Bolt (F), Lock Washer (H) and Flat Washer (G) on holes of Slates (J). Turn the Allen Wrench (I) in Bolt (F).

**2**

Attached Wooden Leg (D) to the Wooden Frame (B) (C) use Bolt (E), Lock Washer (H) and Flat Washer (G) on both of holes. Turn the Allen Wrench (I) in Bolt (E).



Cleaning & Care

Treat surface with care. Surface is resistant to scratches but is not scratch resistant. Clean surfaces with a dry or damp soft cloth. Do not use abrasive cleaners. Hardware may loosen over time. Periodically check that all connections are tight.

ASSEMBLY INSTRUCTION

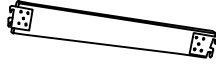
FOOTBOARD & SIDE RAIL & REGULAR SLAT

A Footboard



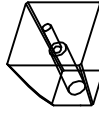
1pc

B Side Rails



2pcs

C Wooden Leg



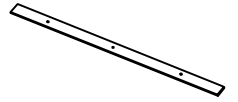
2pcs

D Support Leg



6pcs

E Wooden Slat



3pcs

F Screw



12pcs

G Bolt
1/4" x 75mm



2pcs

H Bolt
1/4" x 50mm



6pcs

I Flat Washer



8pcs

J Lock Washer

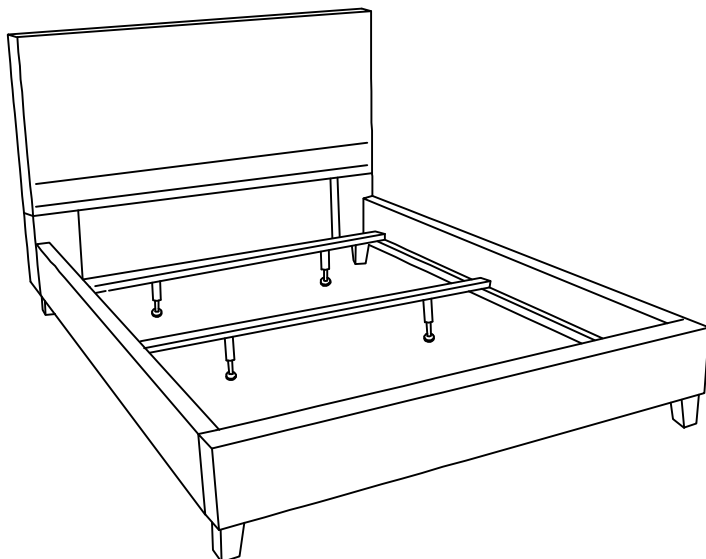


8pcs

K Allen Wrench

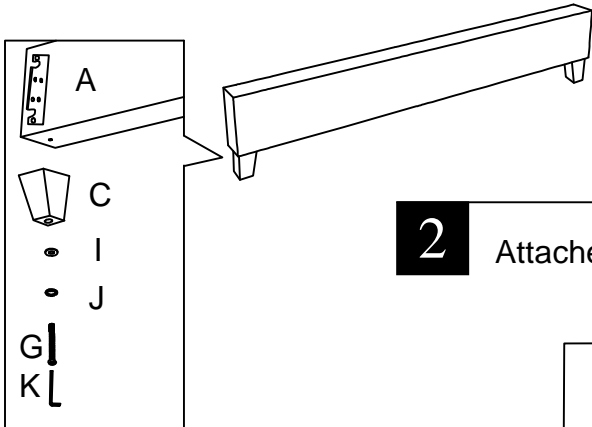


1pc

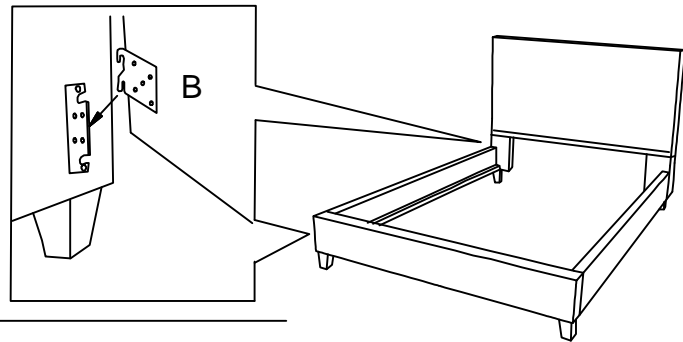


This page lists all the contents included in the box. Please take the time to identify the hardware as well as the individual components to this product. As you unpack and prepare for assembly, place the contents on a carpeted or padded area to protect them from damage.

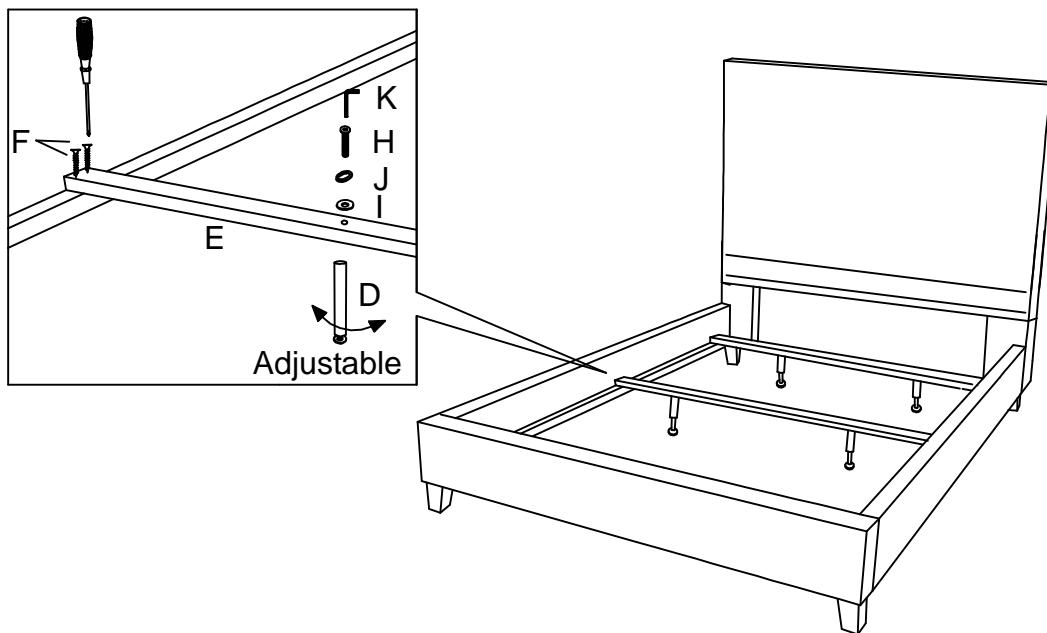
- 1** Attached Wooden Leg(C) to the Footboard(A) use Bolt(G), Lock Washer(J) and Flat Washer(I) on both of holes. Turn the Allen Wrench(K) in Bolt(G).



- 2** Attached Side Rail(B) to the Headboard and Footboard(A).



- 3** Assembly Support Leg (D) to Wooden Slats(E) use Bolt(H), Lock Washer(J) and Flat Washer(I) by Allen Wrench(K). Assembly Wooden Slats(E) to Side Rail(B) use Screw (F) as showing.

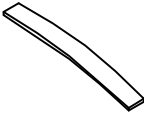


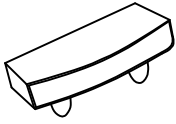
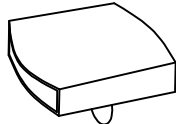












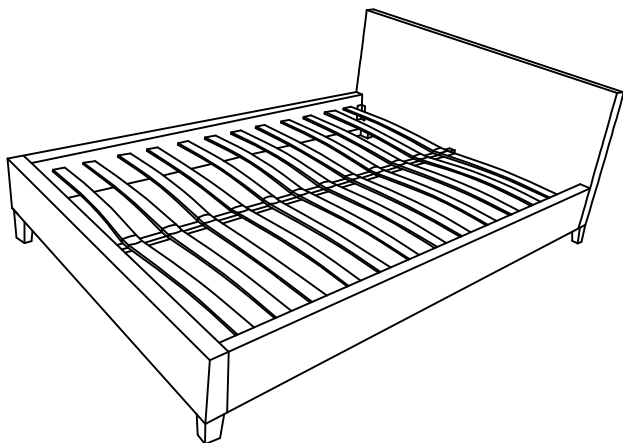
Cleaning & Care

Treat surface with care. Surface is resistant to scratches but is not scratch resistant. Clean surfaces with a dry or damp soft cloth. Do not use abrasive cleaners. Hardware may loosen over time. Periodically check that all connections are tight.

ASSEMBLY INSTRUCTION

EURO SLATS

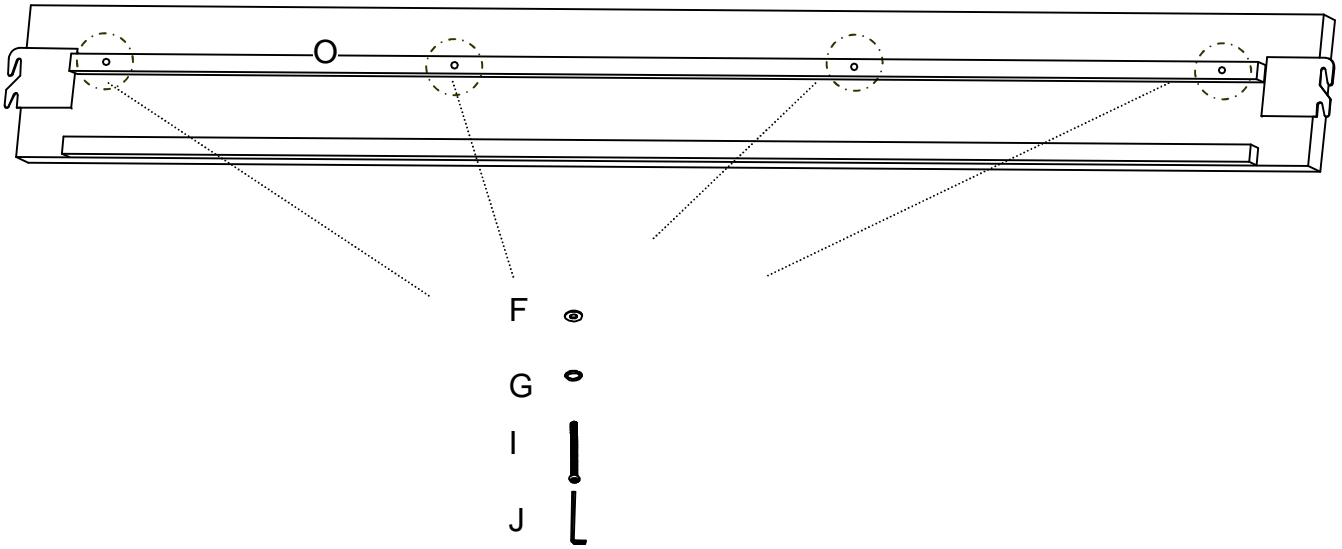
A Wooden Slat  26pcs	B Support Leg  4pcs	C Iron Pipe  1pc	D Single-Sided Cover  26pcs	E Double-Sided Cover  13pcs
F Flat Washer  20pc	G Lock Washer  17pcs	H Bolt 1/4" x 30mm  2pcs	I Bolt 1/4" x 50mm  12pcs	J Allen Wrench  1pc
K Iron Pipe  1pc	L Bolt 1/4" x 65mm  3pcs	M Nut  3pcs	N Wrench  1pc	O Iron Pipe  2pcs



This page lists all the contents included in the box. Please take the time to identify the hardware as well as the individual components to this product. As you unpack and prepare for assembly, place the contents on a carpeted or padded area to protect them from damage

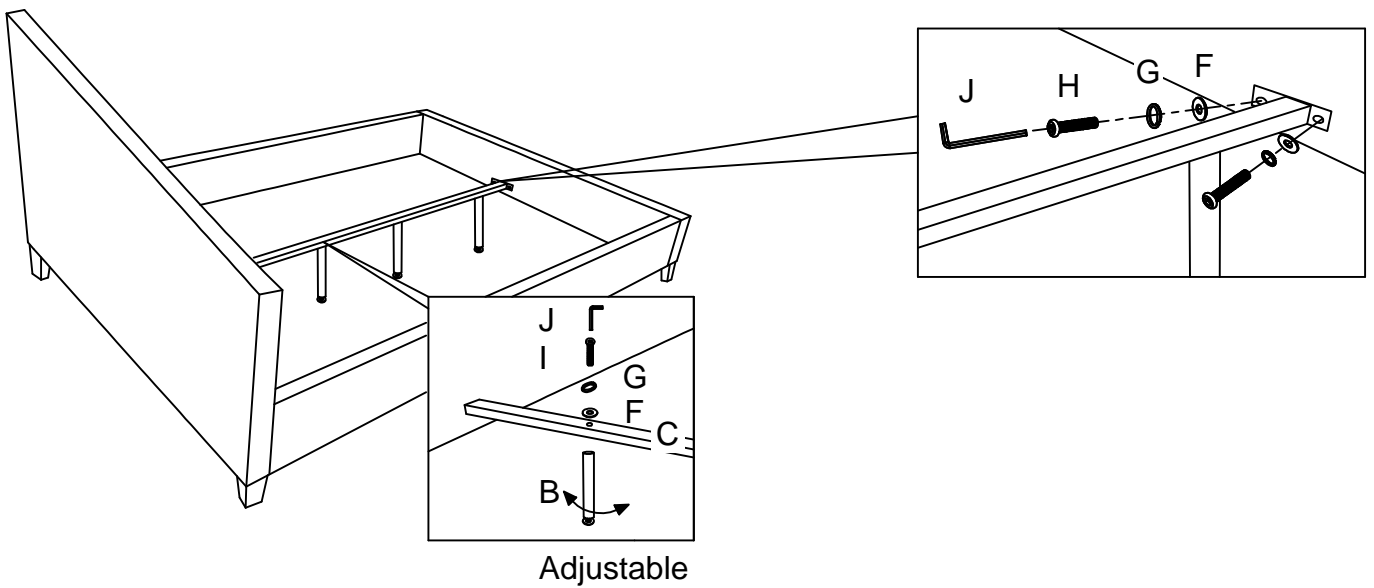
1

Attached Iron Pipe(O) to the both Side Rails use Bolt(I), Flat Washer(F), Lock Washer(G) by Allen Wrench(J).



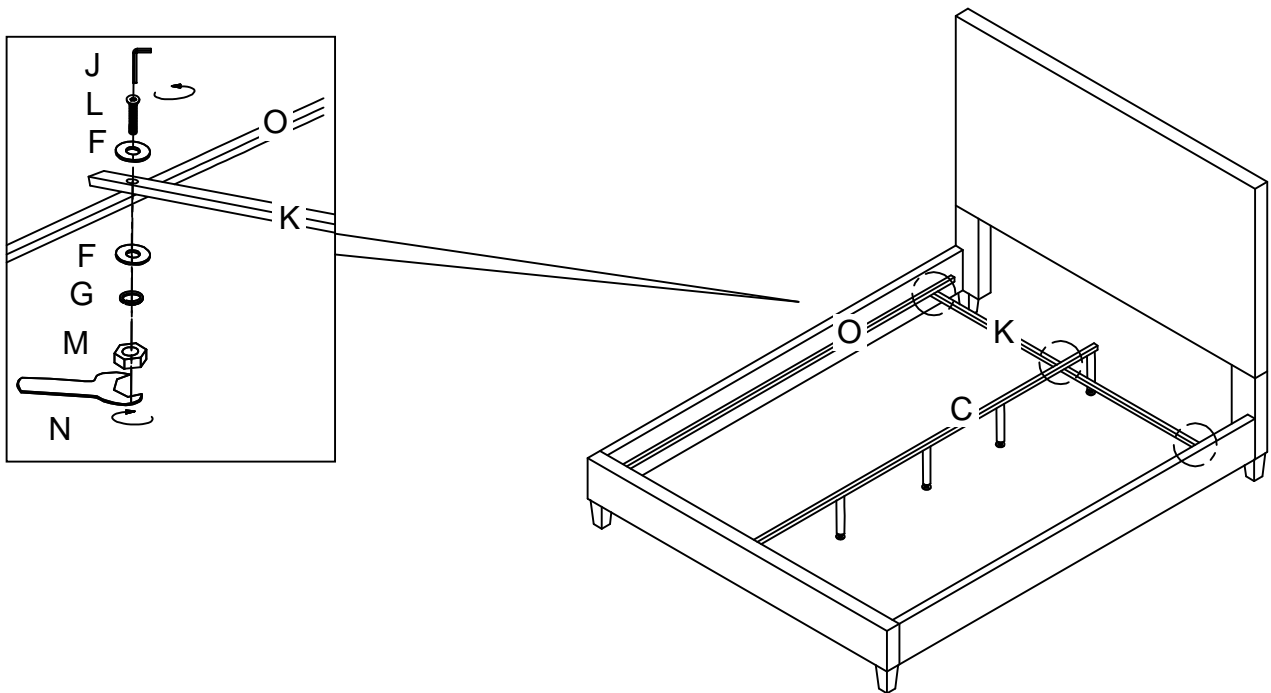
2

Attached Support Leg(B) to the Iron Pipe(C) use Bolt(I), Flat Washer(F), Lock Washer(G) by Allen Wrench(J). Then assembly Iron Pipe(C) to Footboard use Bolt(H), Flat Washer(F), Lock Washer(G) by Allen Wrench(J).

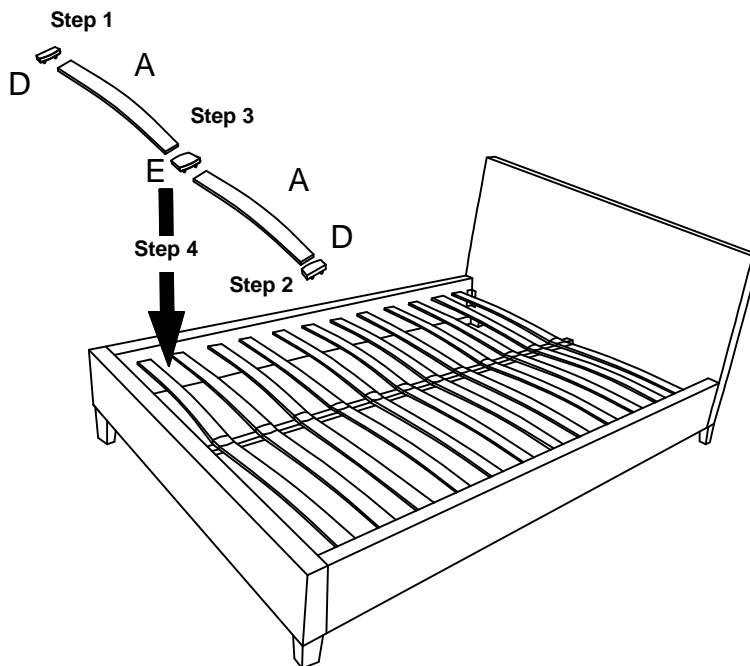


3

Assembly Iron Pipe(K) to Iron Pipe (O) and Iron Pipe(C) use Bolt(L), Flat Washer(F), Lock Washer (G), Nut(M) by Allen Wrench(J) & Wrench(N).

**4**

Attach Wooden Slat(A) with Single-Sided Cover(D) at both end, then attach the Wooden Slat(A) into Double-Sided Cover(E) and press downward Double-Sided Cover(E) lock in the hole on the center metal rail.



Cleaning & Care

Treat surface with care. Surface is resistant to scratches but is not scratch resistant. Clean surfaces with a dry or damp soft cloth. Do not use abrasive cleaners. Hardware may loosen over time. Periodically check that all connections are tight